

STONE LEGENDS

Project: Concept To fruition

How a project goes from an simple idea to a stone monument.



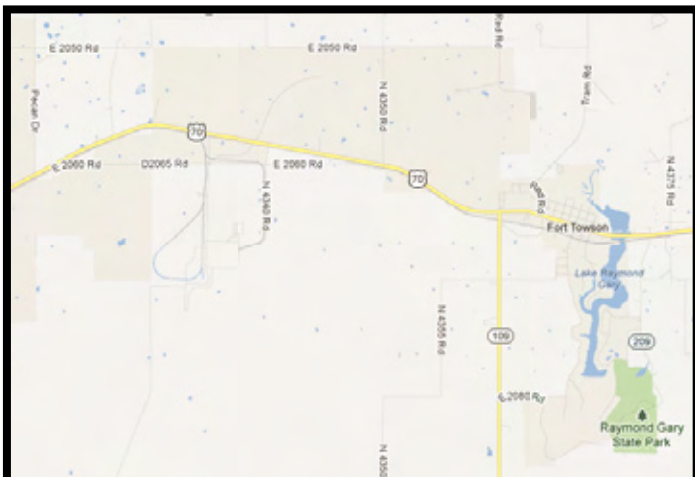
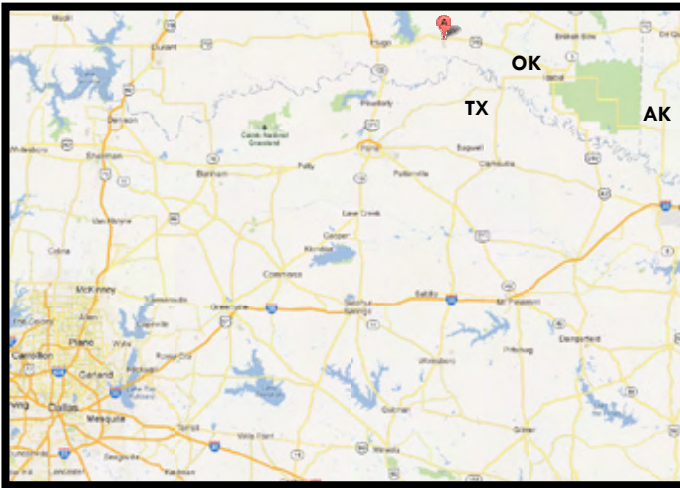
Hallie Mae Chapel, Fort Towson, OK

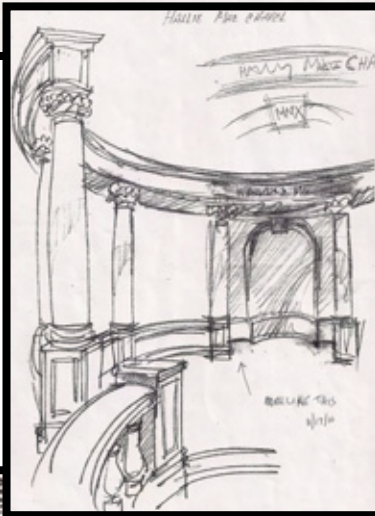
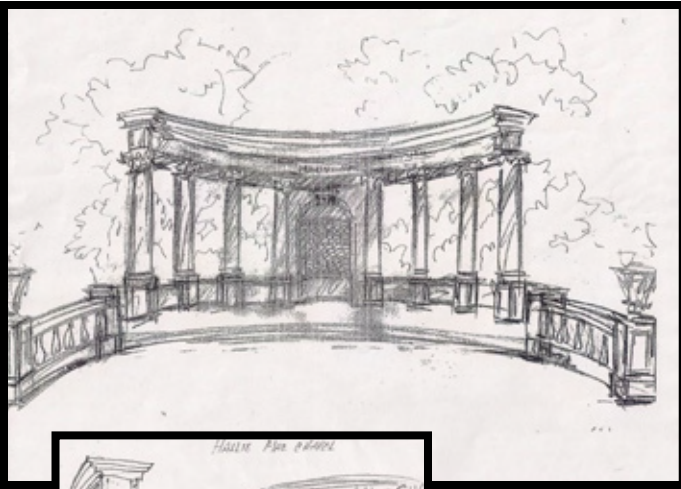
Project - 27972

Hallie Mae Chapel, Fort Towson, OK

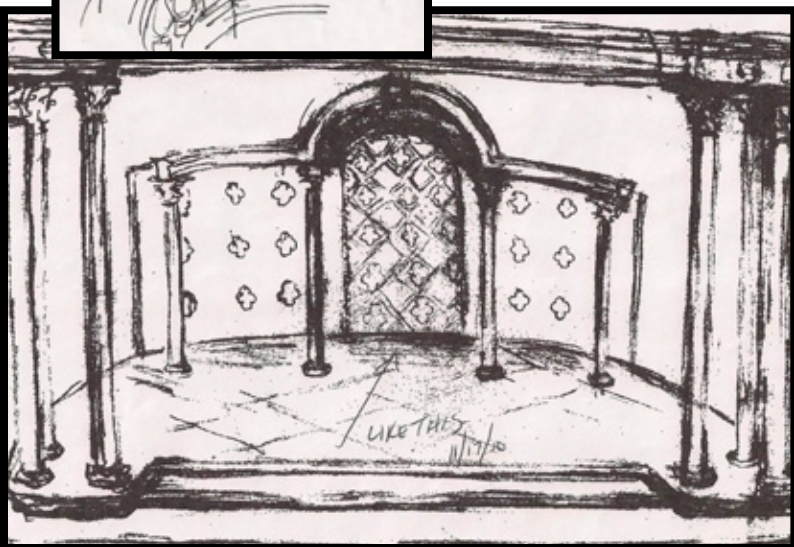
Project - 27972

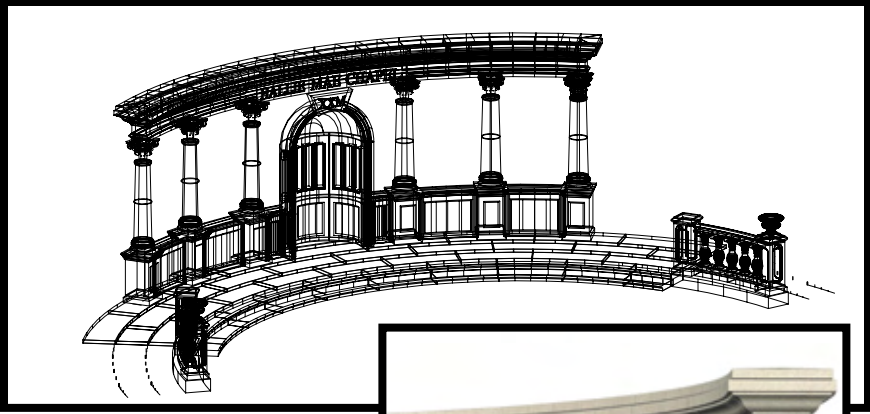
When Maureen Motley's grandmother Hallie Mae Hopson passed on, Ms. Motley wanted to memorialize her grandmother, and create something local people could appreciate, and remember this prominent member of the community, and that anyone travelling along US highway 70 in southeast Oklahoma would see. Built in a park on the eastern end of the town, this chapel will capture the attention of anyone who sees it.





Ms. Motley created the original design for the chapel. She then worked with a friend of hers, world class architect Craig Wright, who turned her drawings into an architectural plan, and they submitted the plan to Stone Legends to manufacture.

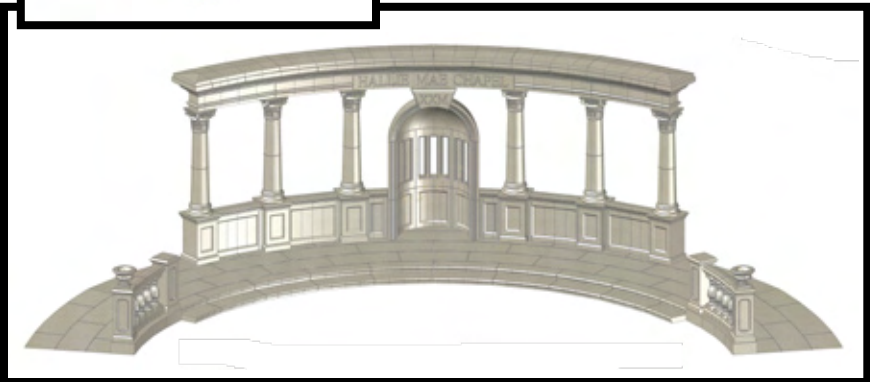


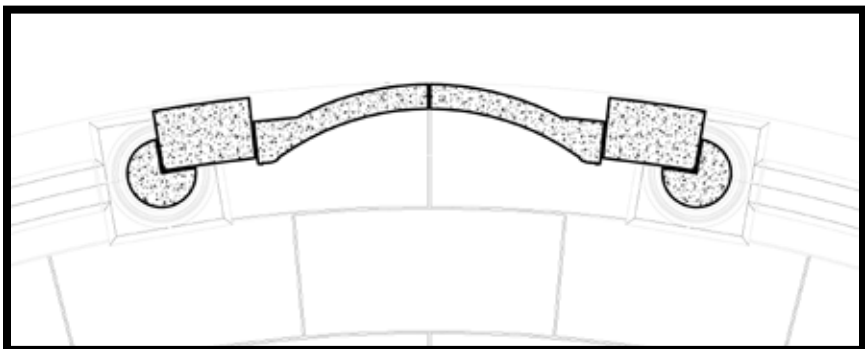
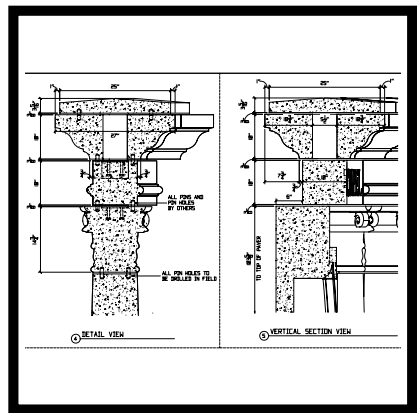
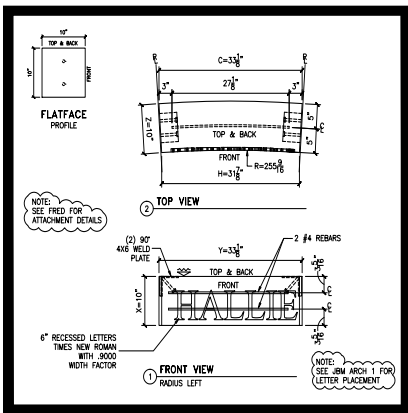
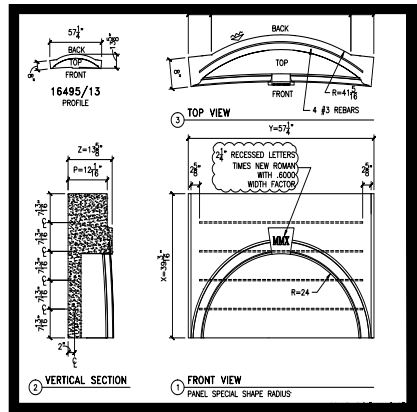
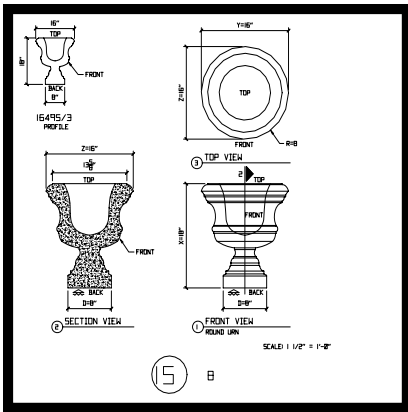


3-D drawings and renderings of the chapel.



Notice the central niche and screen area has changed as we narrow down the design, and turn the plans into a cast stone proposal. Each element of a proposal is submitted to the customer for approval before production begins.





Each element was detailed and submitted back to Ms Motley. Each cast stone part to make the chapel drawn to scale, and we planned how every part would come together to create the whole.



Hallie Mae Chapel, Fort Towson, OK

Project - 27972



STONE  **LEGENDS**

301 Pleasant Dr.

Dallas Tx, 75217

800-398-1199

sales@stonelegends.com

www.stonelegends.com

Member: Cast Stone Institute