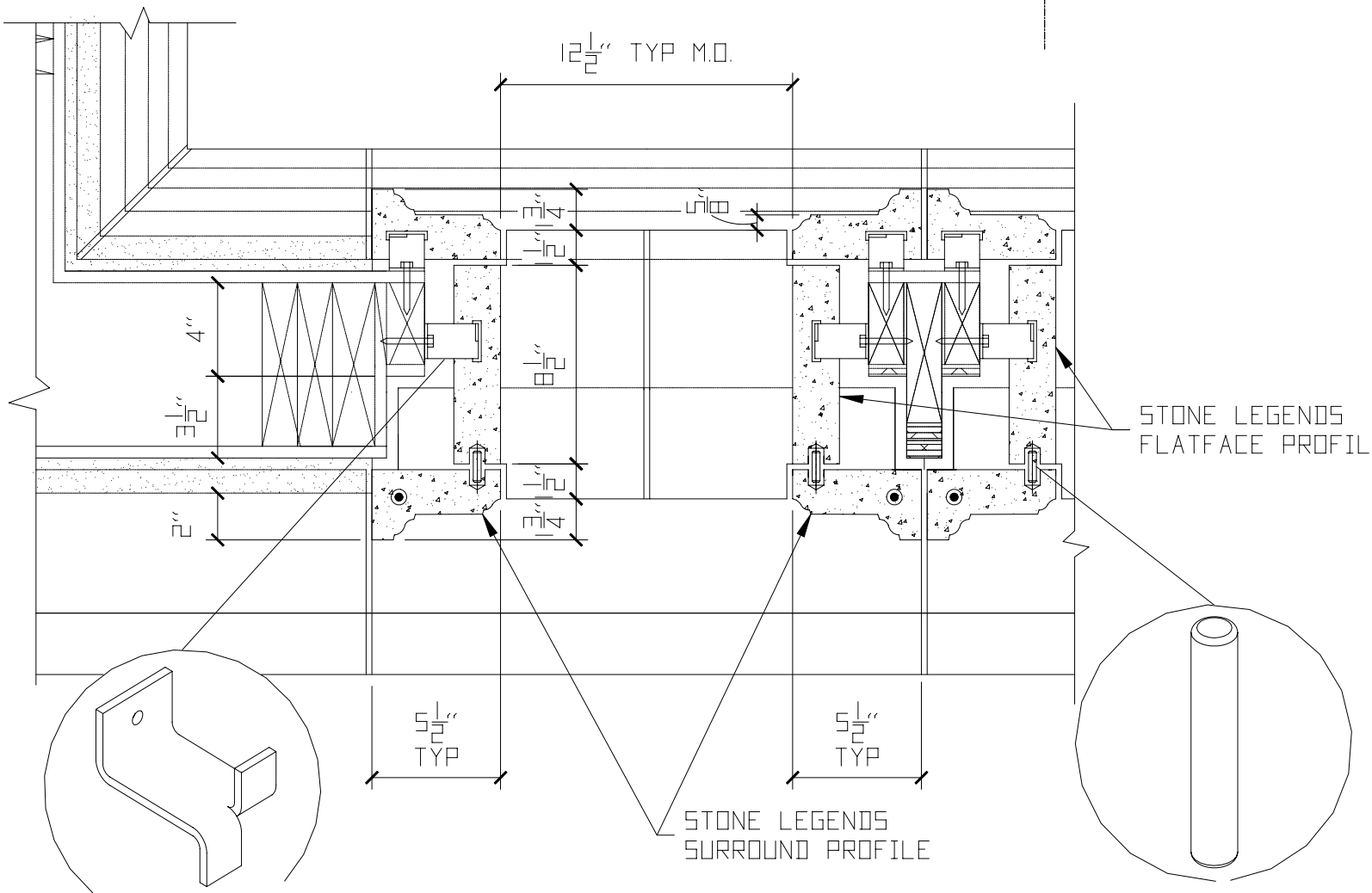
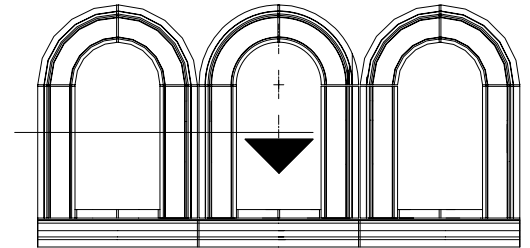


Typical Framing Example on Double Sided Arches

Stone Legends Filestore ID 124159

ALL SUPPORT SYSTEMS PROVIDED BY OTHERS
 CLIP ANCHORS REQUIRED AT EVERY JOINT
 AND END; TWO-WAY ANCHORS PROVIDED BY
 OTHERS; MASON TO FIELD DRILL AND SLOT AS
 NECESSARY.



② 2 WAY-CLIP
 Iso View

① CROSS SECTION @ SURROUND
 STD 3/8" MORTAR JOINT

③ STEEL PIN
 Iso View
 SCALE: N.T.S.