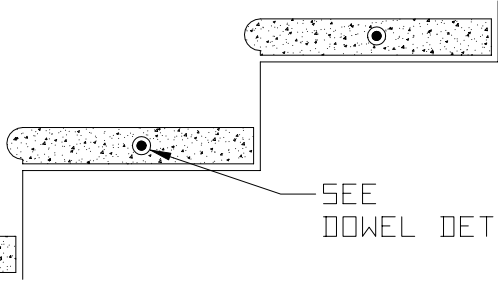
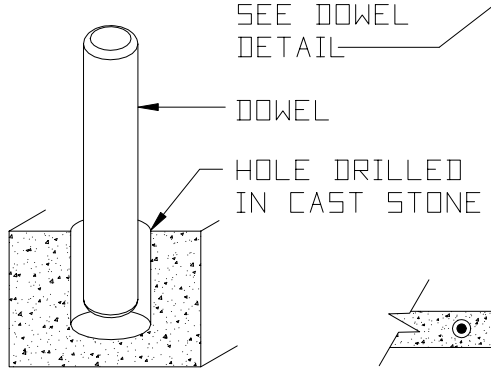
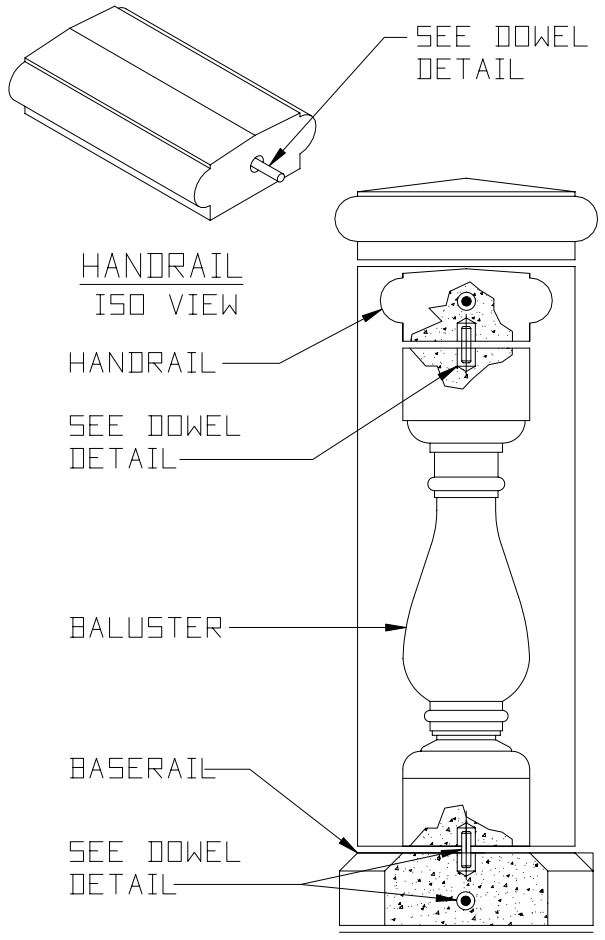
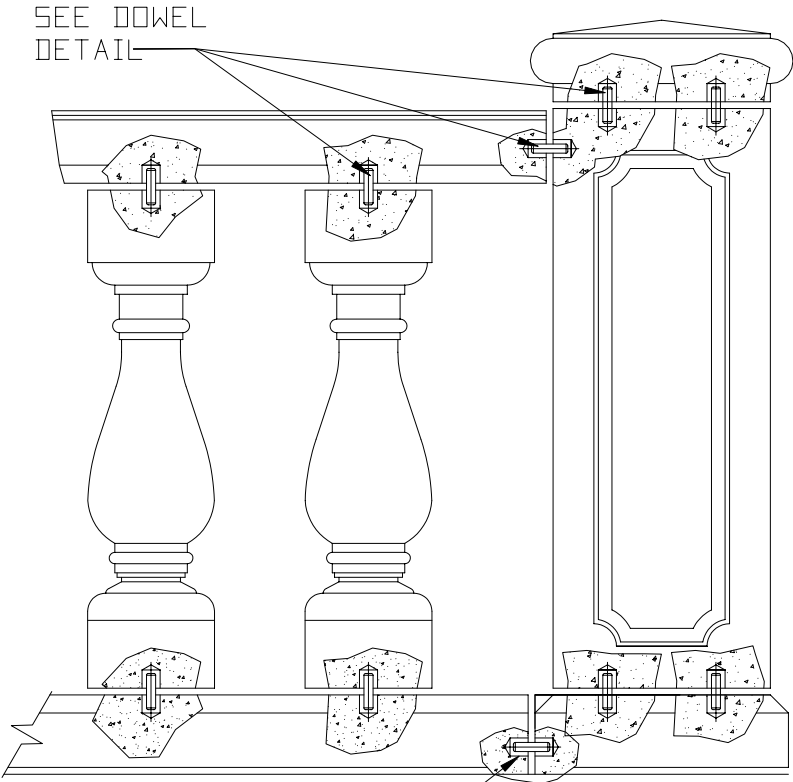


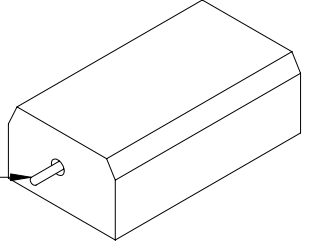
NOTE:
 BASE RAIL TO BE CUT 1" SHORTER THAN
 HANDRAIL @ NEWEL BASE INTERSECTION



CROSS SECTION
 THROUGH BALUSTRADE

DOWEL
 DETAIL

CROSS SECTION
 THROUGH STEPS



BASERAIL
 ISO VIEW

1 INTERFACE OF BALUSTRADE, NEWEL PIER, & STEPS
 WITH DOWELS