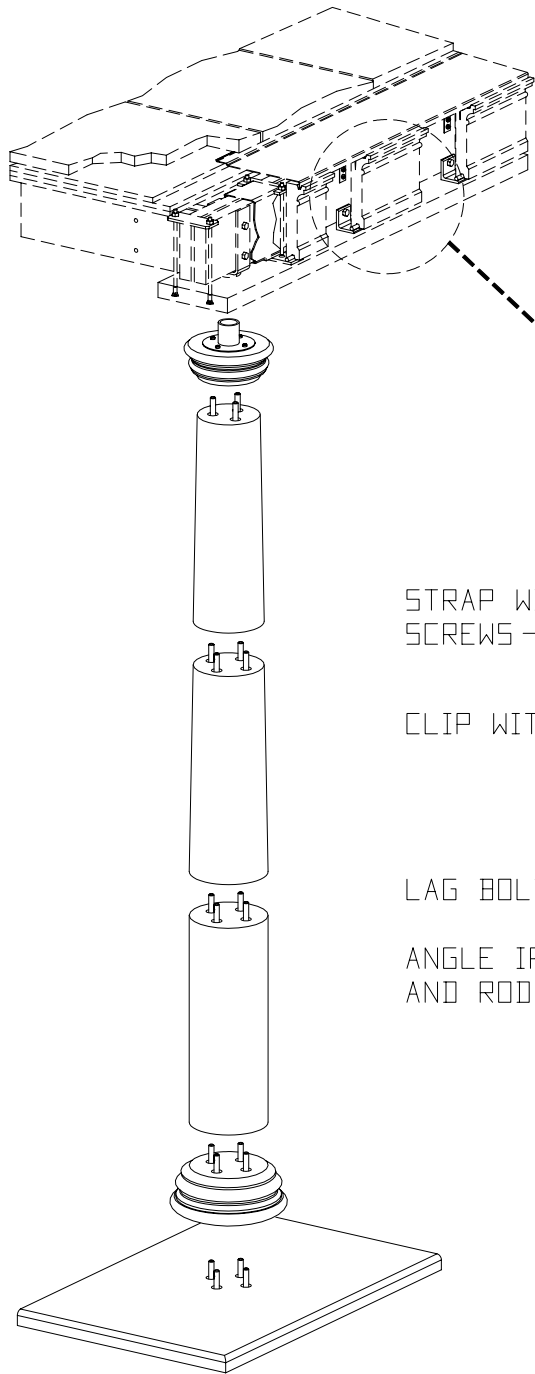


NOTE: THE REQUIREMENTS FOR ATTACHING STONE TO STRUCTURES, VARIES AMONG THE DIFFERENT STATES. A CERTIFIED ENGINEER THAT IS FAMILIAR WITH THE GEOLOGIC SEISMIC & CLIMATIC CONDITIONS OF YOUR AREA MUST DETERMINE THE BEST METHOD FOR ATTACHING THE STONE TO THE STRUCTURE. THE STONE SUPPLIER IS NOT RESPONSIBLE FOR PROVIDING INFORMATION ON ATTACHMENT METHODS AND CAN ONLY PROVIDE SUGGESTED ATTACHMENT METHODS. THESE SUGGESTED METHODS ARE WELL KNOWN AND HAVE BEEN USED THROUGHOUT THE INDUSTRY.

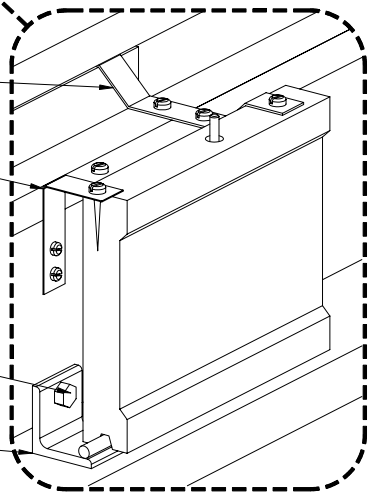


STRAP WITH SCREWS

CLIP WITH SCREWS

LAG BOLT

ANGLE IRON AND ROD



PROPOSED ATTACHMENT

ATTACHMENT OF ENTABLATURE TO WOOD STRUCTURE

WITH STRAP AND SCREWS AND I-WAY CLIP AND ANGLE AND ROD AND LAG BOLT

N.T.S.