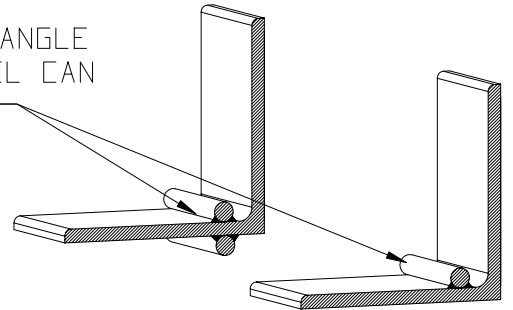


ROUND BAR WELDED ON TO ANGLE AS A BACK STOP. ANY STEEL CAN BE USED FOR A BACK STOP



DOWELS, & WIRE TO TIE BACK

WELD (TYP.)

ANGLE IRON

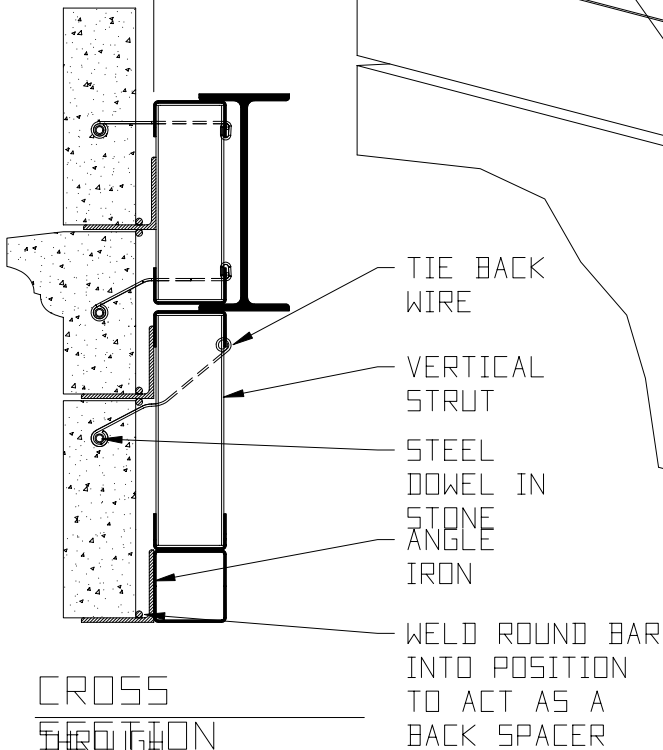
WELD

ROUND BAR FOR SPACER

ANGLE IRON

ROUND BAR FOR SPACER

$\frac{1}{16}$ " AIR GAP



TIE BACK WIRE

VERTICAL STRUT

STEEL DOWEL IN STONE ANGLE IRON

WELD ROUND BAR INTO POSITION TO ACT AS A BACK SPACER

ISOMETRIC VIEW CUT BACK

CROSS SECTION STRUCTURE

ATTACHMENT OF PANEL AND WATERTABLE TO STEEL STRUCTURE WITH DOWEL AND WIRE AND ANGLE AND ROD

1