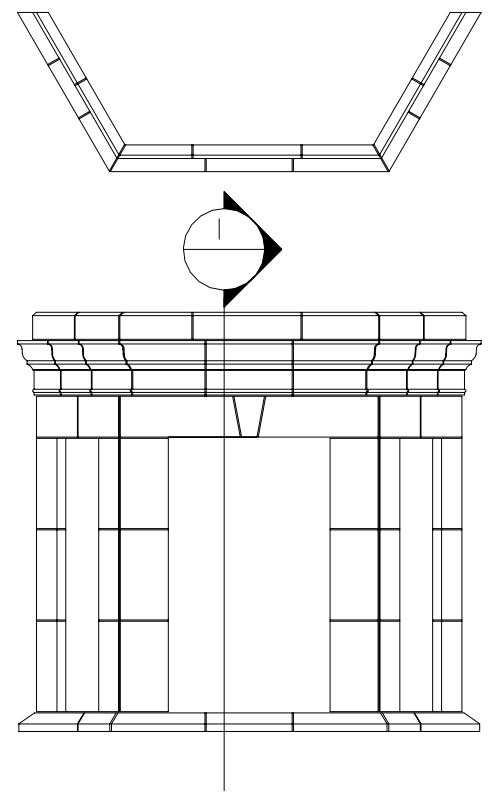
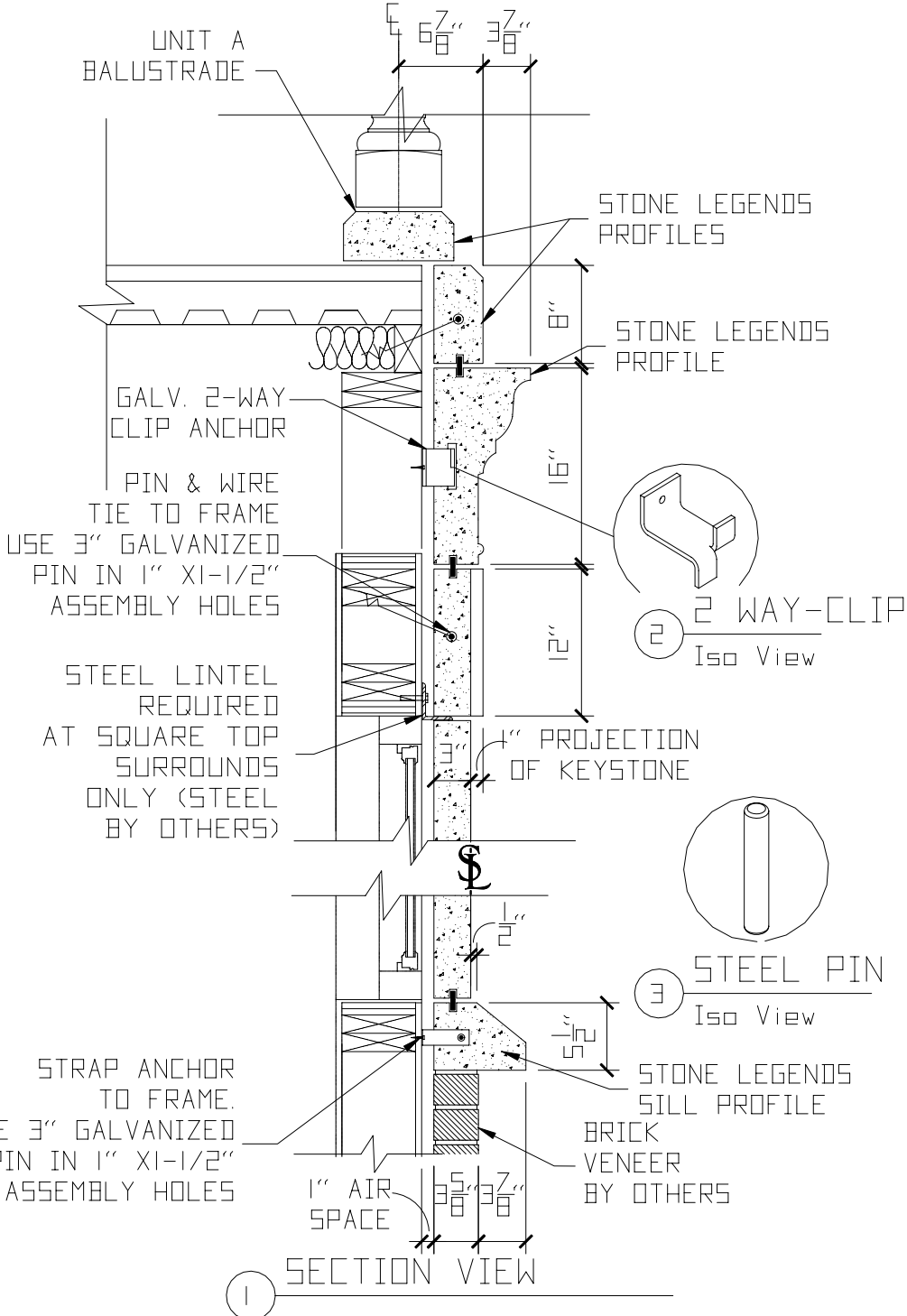


# Attachment of Bay Window to a wood structure



ALL ATTACHMENTS, STEEL SIZES, GAUGE THICKNESS, AND ANCHOR SIZES SHOULD BE CALCULATED BY A STRUCTURAL ENGINEER; STONE LEGENDS IS NOT LIABLE FOR INSTALLATION OF ANY KIND

STD. 3/8" MORTAR JOINTS

SCALE: N.T.S.