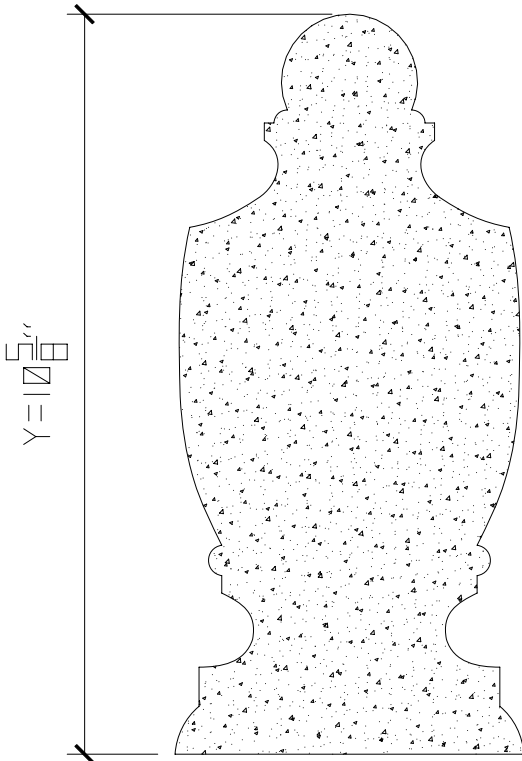
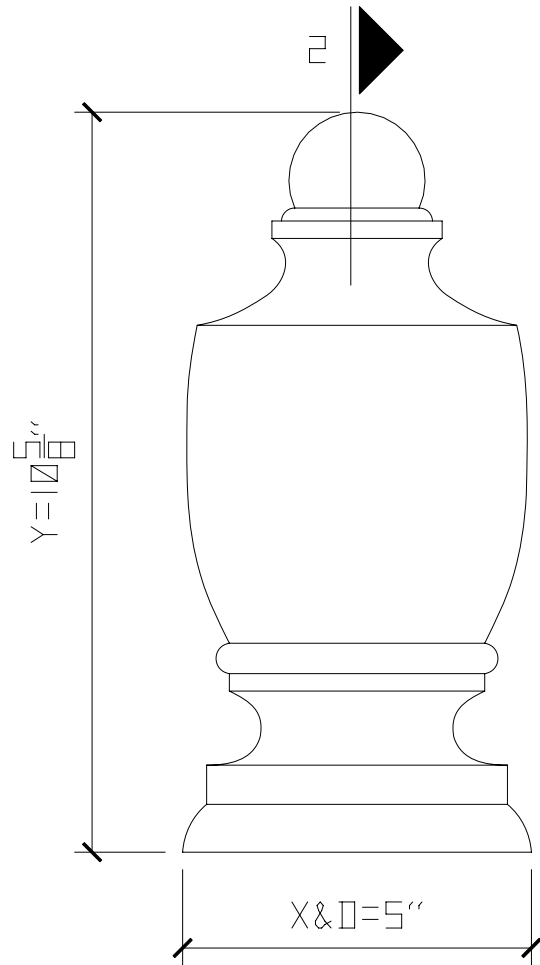


1 TOP VIEW



2 VERTICAL SECTION



2 FRONT VIEW
PENTLAND URN 1