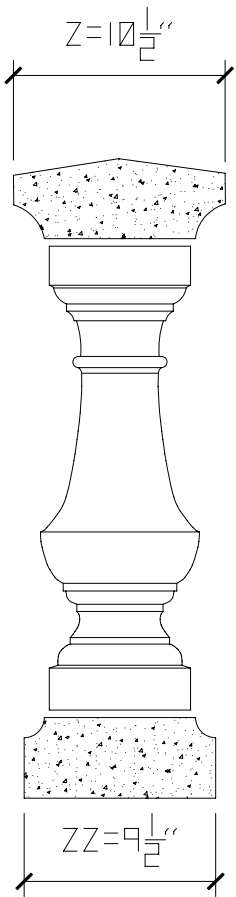
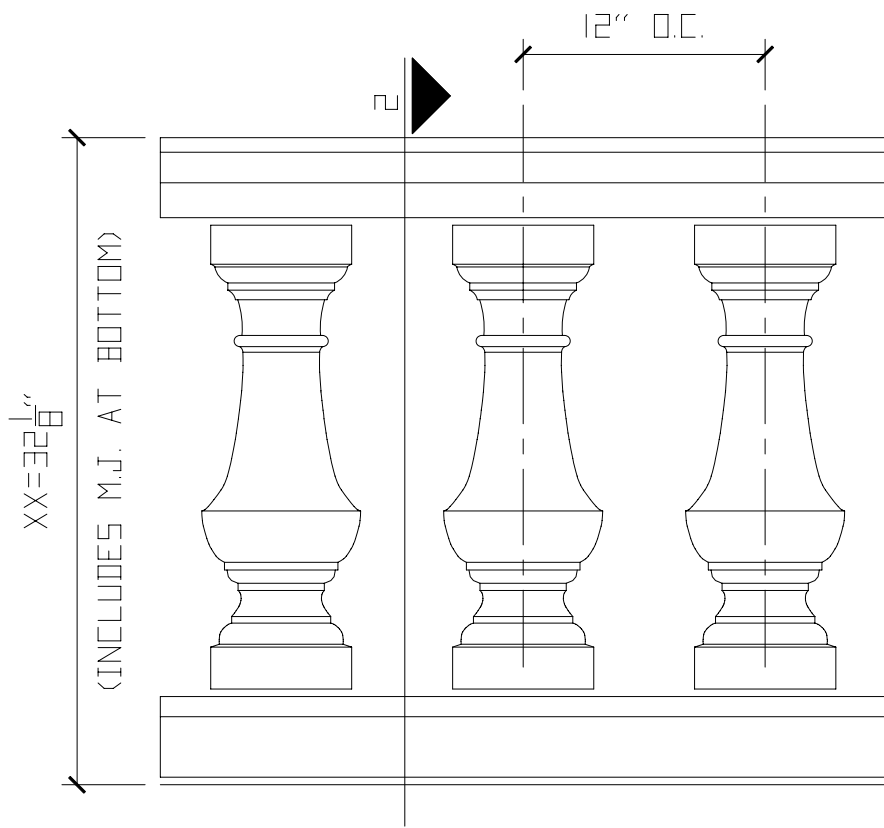


③ TOP VIEW



② CROSS SECTION



① FRONT VIEW

—●— = 3/8" M.J.

Unit 10251