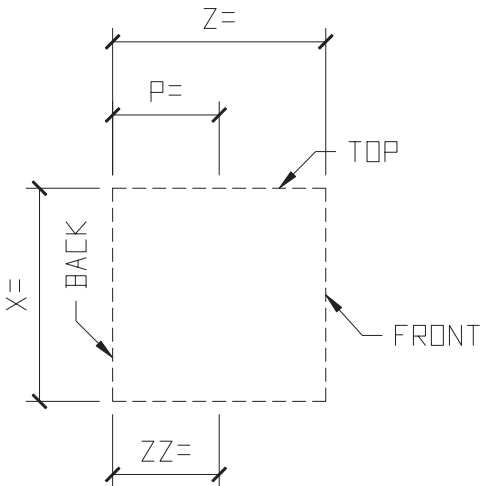


GENERIC STAIR

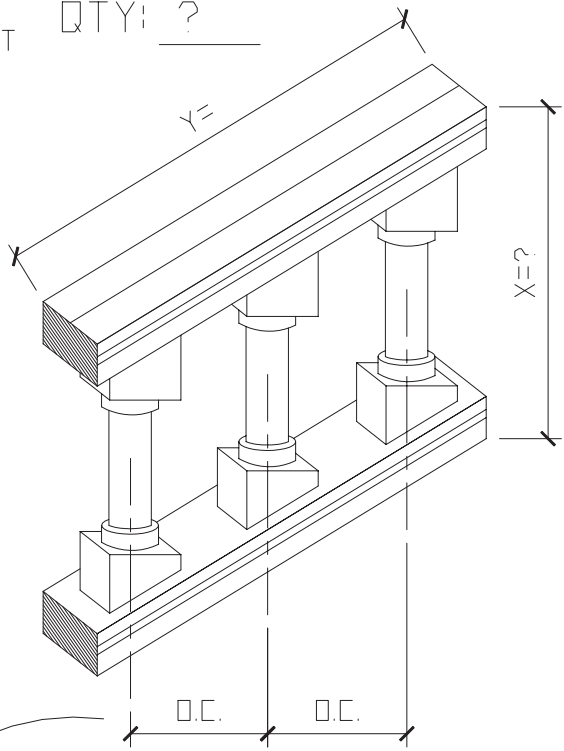


QTY: ?

CHOOSE PROFILE:

BALUSTER LUGS ARE PRODUCED LONGER TO ACCOMMODATE ACTUAL SLOPE AND HEIGHT REQUIREMENTS. THEY WILL REQUIRE FIELD CUTTING.

BALL CODE TO BE VERIFIED BY CUSTOMER TO MEET THEIR LOCAL REQUIREMENTS

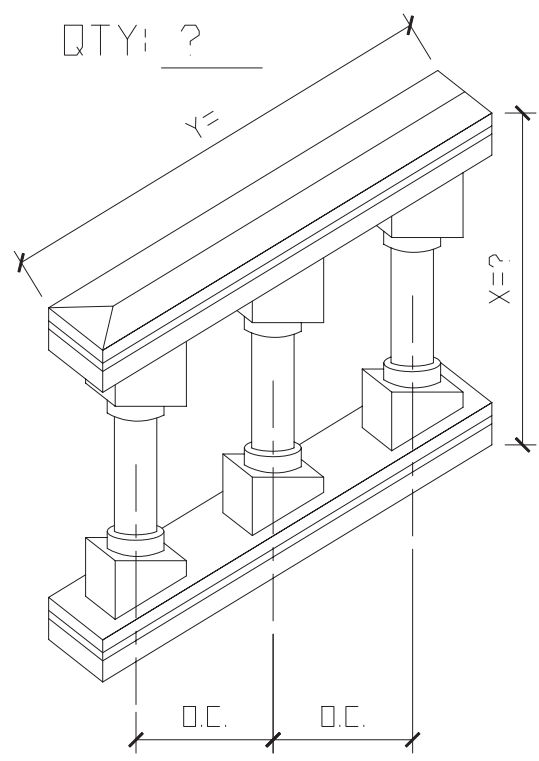


① ISOMETRIC VIEW
STAIR STRAIGHT

TOTAL LINEAR FEET= ?



EXAMPLE PHOTO OF BALUSTRADE



QTY: ?

② ISOMETRIC VIEW
STAIR FINISHED END

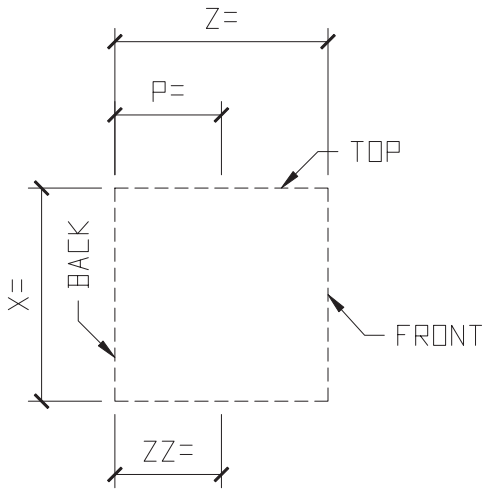
STANDARD COLOR CHOICE:
TAN \ WHITE \ BUFF

CUT TO FIT LENGTHS ARE SUPPLIED IN 36" PIECES

Please print clearly

Unit ID: 7702

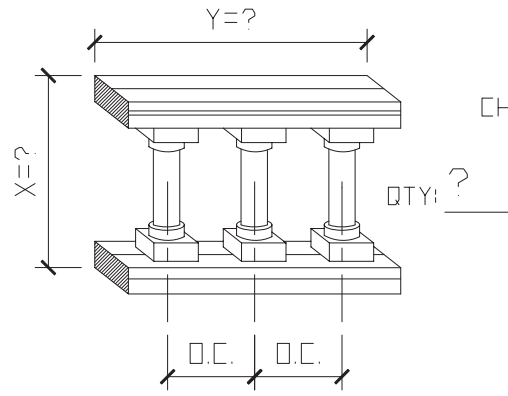
GENERIC BALUSTRADE



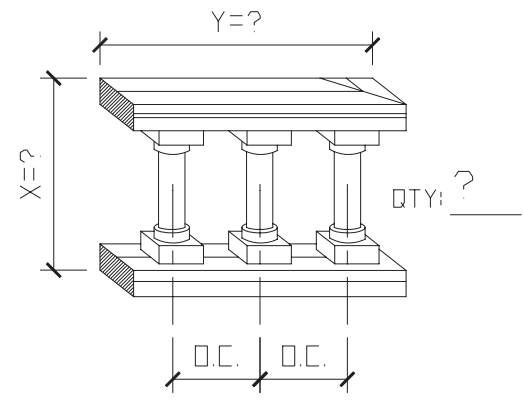
CHOOSE PROFILE:
?



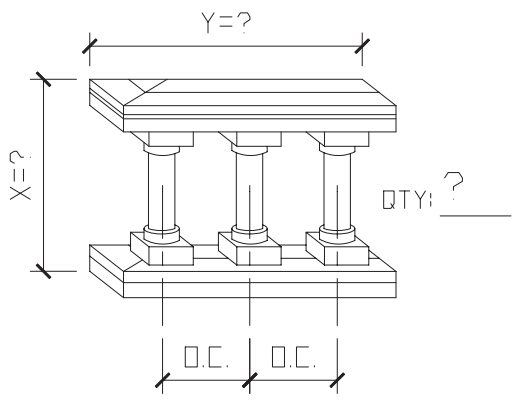
EXAMPLE PHOTO OF BALUSTRADE



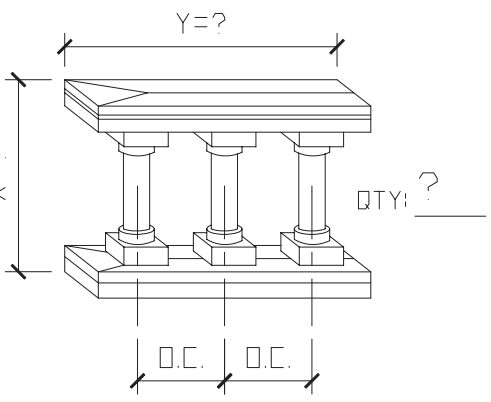
1 ISOMETRIC VIEW
BALUSTRADE GRADE STRAIGHT



4 ISOMETRIC VIEW
BALUSTRADE GRADE COPED RIGHT



2 ISOMETRIC VIEW
BALUSTRADE GRADE COPED LEFT



3 ISOMETRIC VIEW
BALUSTRADE GRADE FINISHED END

TOTAL LINEAR FEET=?

STANDARD COLOR CHOICE:
TAN \ WHITE \ BUFF

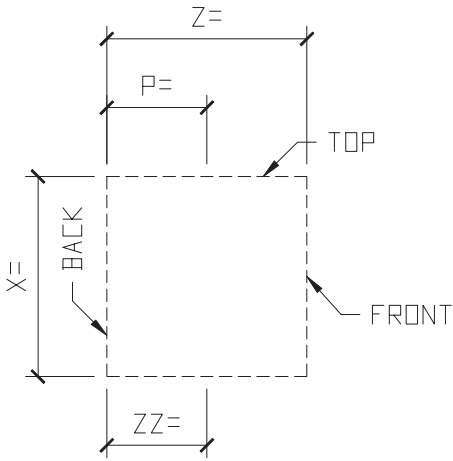
CUT TO FIT LENGTHS ARE
SUPPLIED IN 36" PIECES

BALL CODE TO BE
VERIFIED BY CUSTOMER
TO MEET THEIR LOCAL
REQUIREMENTS

Please print clear

Unit ID: 7662

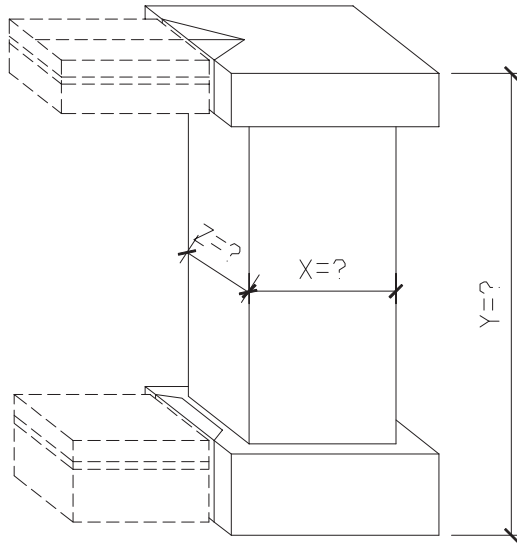
GENERIC NEWEL PIER PASS THROUGH



CHOOSE PROFILE:



EXAMPLE PHOTO
PASS THROUGH

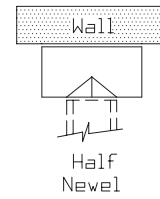
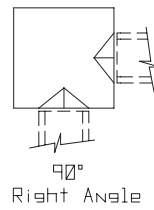
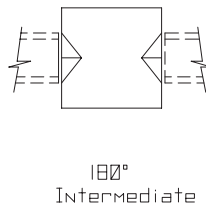
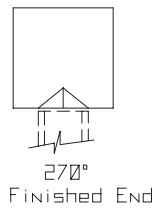
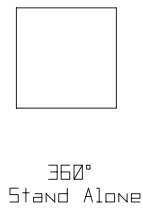


QTY: ? _____

ON PASS-THROUGH NEWEL
PIERS THE SHAFT WILL
HAVE A RECESS ON ALL
FOUR SIDES OF SHAFT

① ISOMETRIC VIEW
NEWEL PIER PASS THROUGH

(Indicate connection requirements)

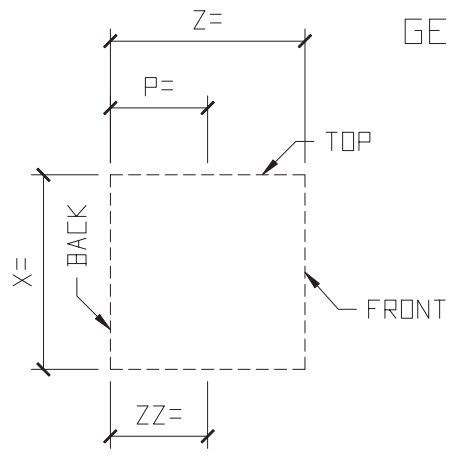


STANDARD COLOR CHOICE:
TAN \ WHITE \ BUFF

Please print clearly

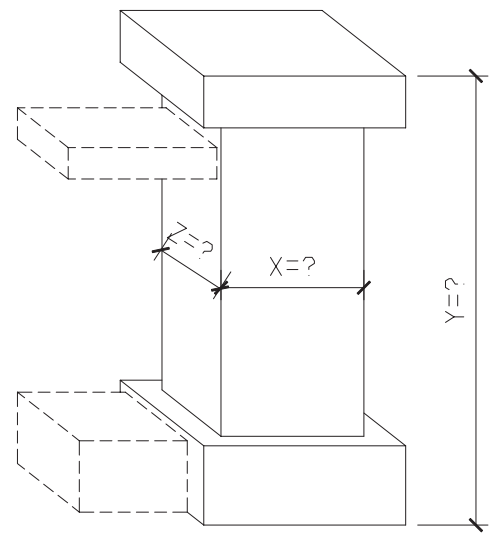
Unit ID#7703

GENERIC NEWEL PIER STANDARD



EXAMPLE PHOTO
NEWEL PIER STANDARD

CHOOSE PROFILE:
? _____

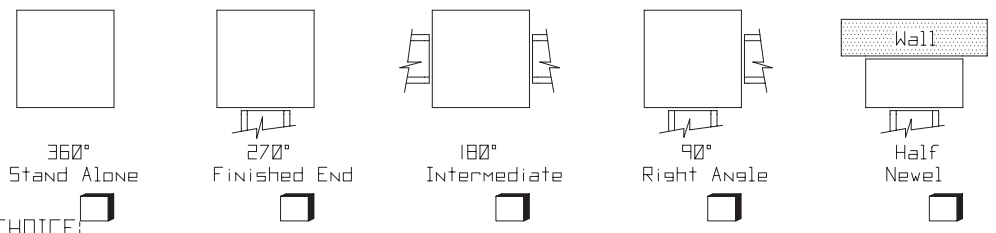


QTY: ? _____

STANDARD NEWEL PIERS
WILL NOT HAVE A RECESS
ON THE CONNECTION SIDES
OF THE SHAFT

① ISOMETRIC VIEW
NEWEL PIER STANDARD

(Indicate connection requirements)



STANDARD COLOR CHOICE:
TAN \ WHITE \ BUFF

Please print clearly

Unit ID: 7704