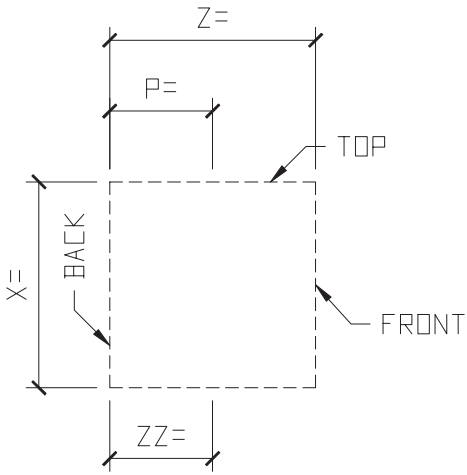
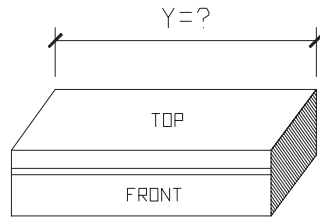


GENERIC BANDING



CHOOSE PROFILE:
? _____

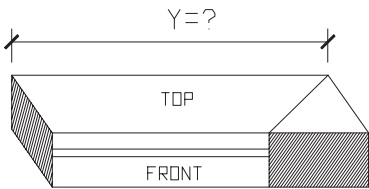


QTY: ? _____



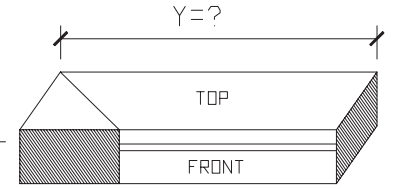
EXAMPLE PHOTO OF BANDING

① ISOMETRIC VIEW STRAIGHT



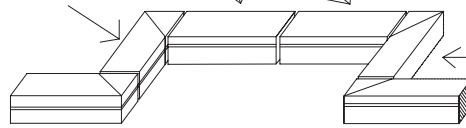
QTY: ? _____

② ISOMETRIC VIEW COPE INSIDE RIGHT



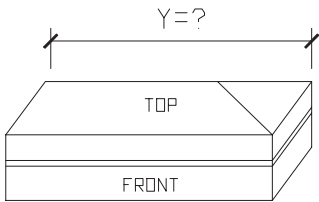
QTY: ? _____

③ ISOMETRIC VIEW COPE INSIDE LEFT



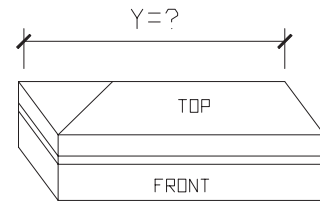
TOTAL LINEAR FEET= ? _____

⑥ ISOMETRIC VIEW BANDING



QTY: ? _____

④ ISOMETRIC VIEW COPE OUTSIDE RIGHT



QTY: ? _____

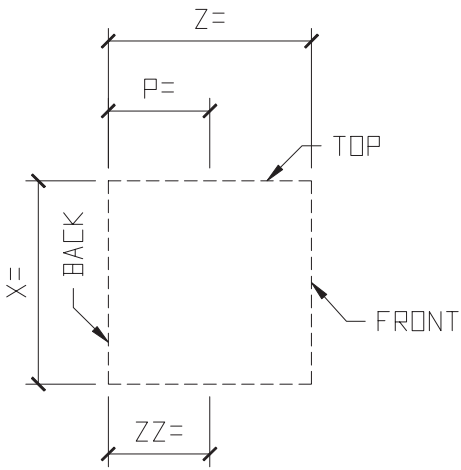
⑤ ISOMETRIC VIEW COPE OUTSIDE LEFT

STANDARD COLOR CHOICE:
TAN \ WHITE \ BUFF

Please print clearly

Unit ID: 7695

GENERIC BANDING

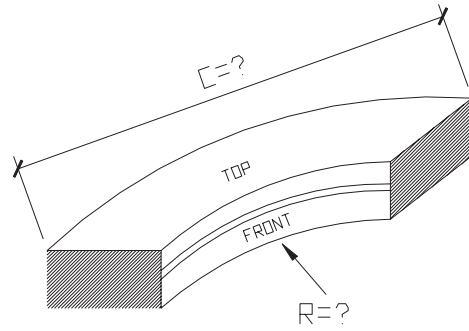


CHOOSE PROFILE:

? _____

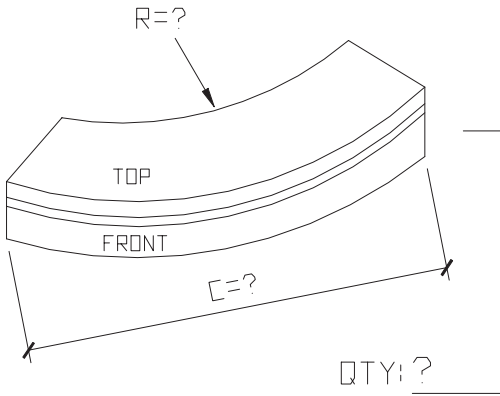


EXAMPLE PHOTO OF BANDING



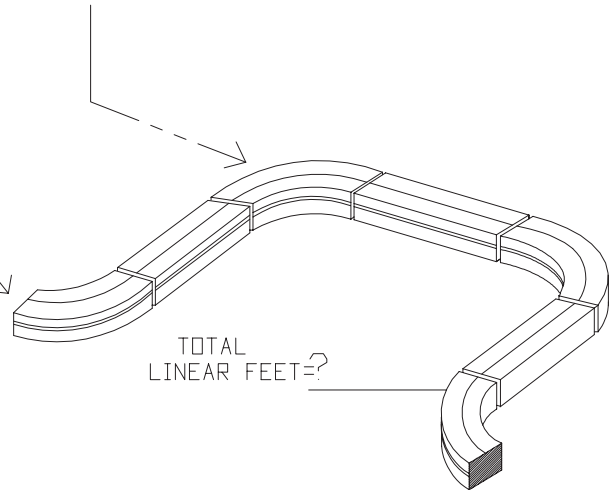
QTY: ? _____

① ISOMETRIC VIEW
COPE INSIDE RADIUS



QTY: ? _____

② ISOMETRIC VIEW
COPE OUTSIDE RADIUS



③ ISOMETRIC VIEW
RADIUS OUTSIDE

STANDARD COLOR CHOICES:
TAN \ WHITE \ BUFF

Please print clear

Unit ID: