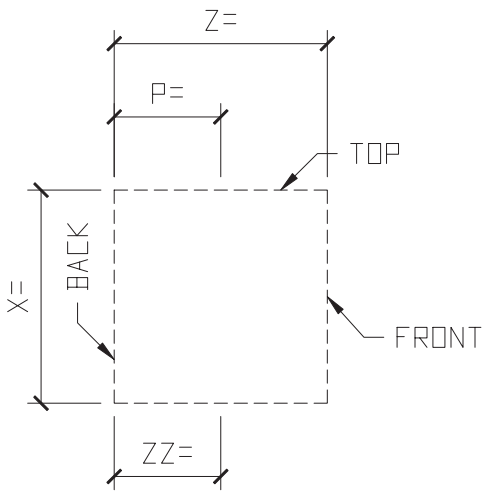


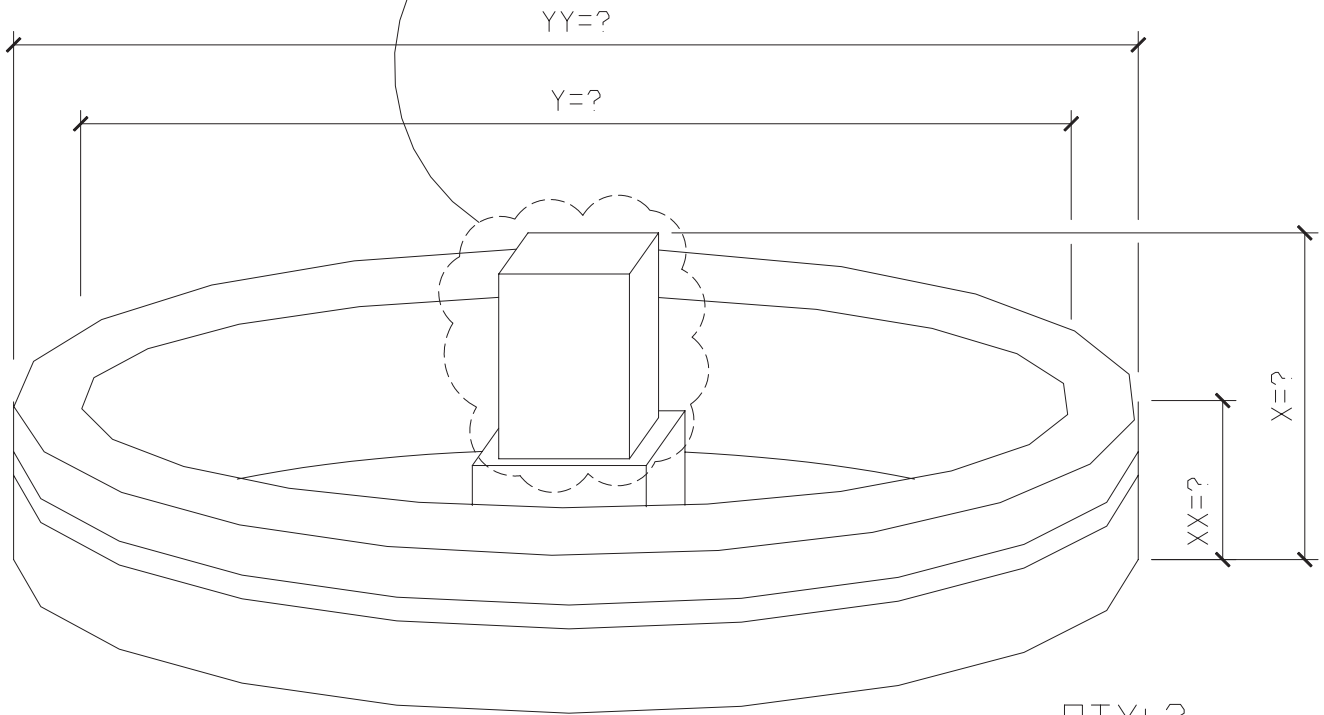
GENERIC FOUNTAIN



EXAMPLE PHOTO OF A FOUNTAIN

MUST PROVIDE A PHOTO OR OTHER VISUAL AID TO COMPLETE

CHOOSE PROFILE:
? _____



QTY: ? _____

① ISOMETRIC VIEW
FOUNTAIN CIRCULAR _____

STANDARD COLOR CHOICE:
TAN \ WHITE \ BUFF

Please print clearly

Unit ID: 17696