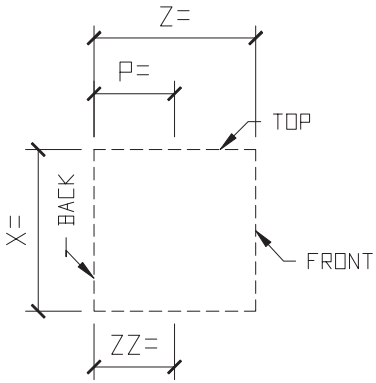


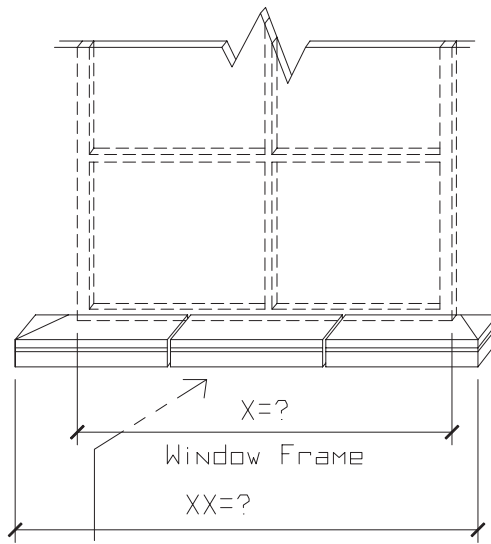
GENERIC SILLS



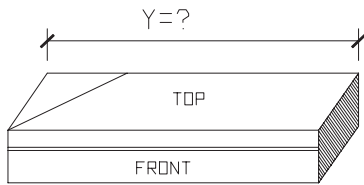
CHOOSE PROFILE: _____



EXAMPLE PHOTO OF SILLS



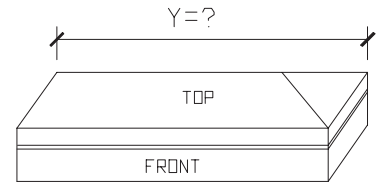
TOTAL LINEAR FEET? _____



QTY: ? _____

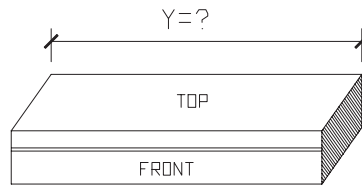
② ISOMETRIC VIEW
COPE OUTSIDE LEFT

④ ISOMETRIC VIEW
SILLS COPED



QTY: ? _____

③ ISOMETRIC VIEW
COPE OUTSIDE RIGHT



QTY: ? _____

① ISOMETRIC VIEW
STRAIGHT

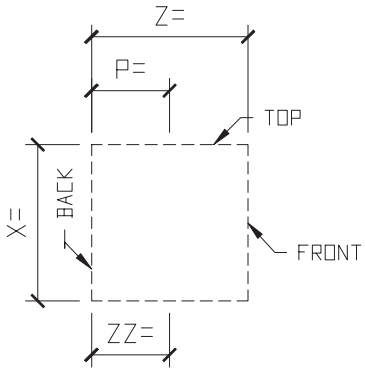
STANDARD COLOR CHOICE:
TAN \ WHITE \ BUFF

CUT TO FIT LENGTHS ARE
SUPPLIED IN 36" PIECES

Please print clearly

Unit ID: 7664

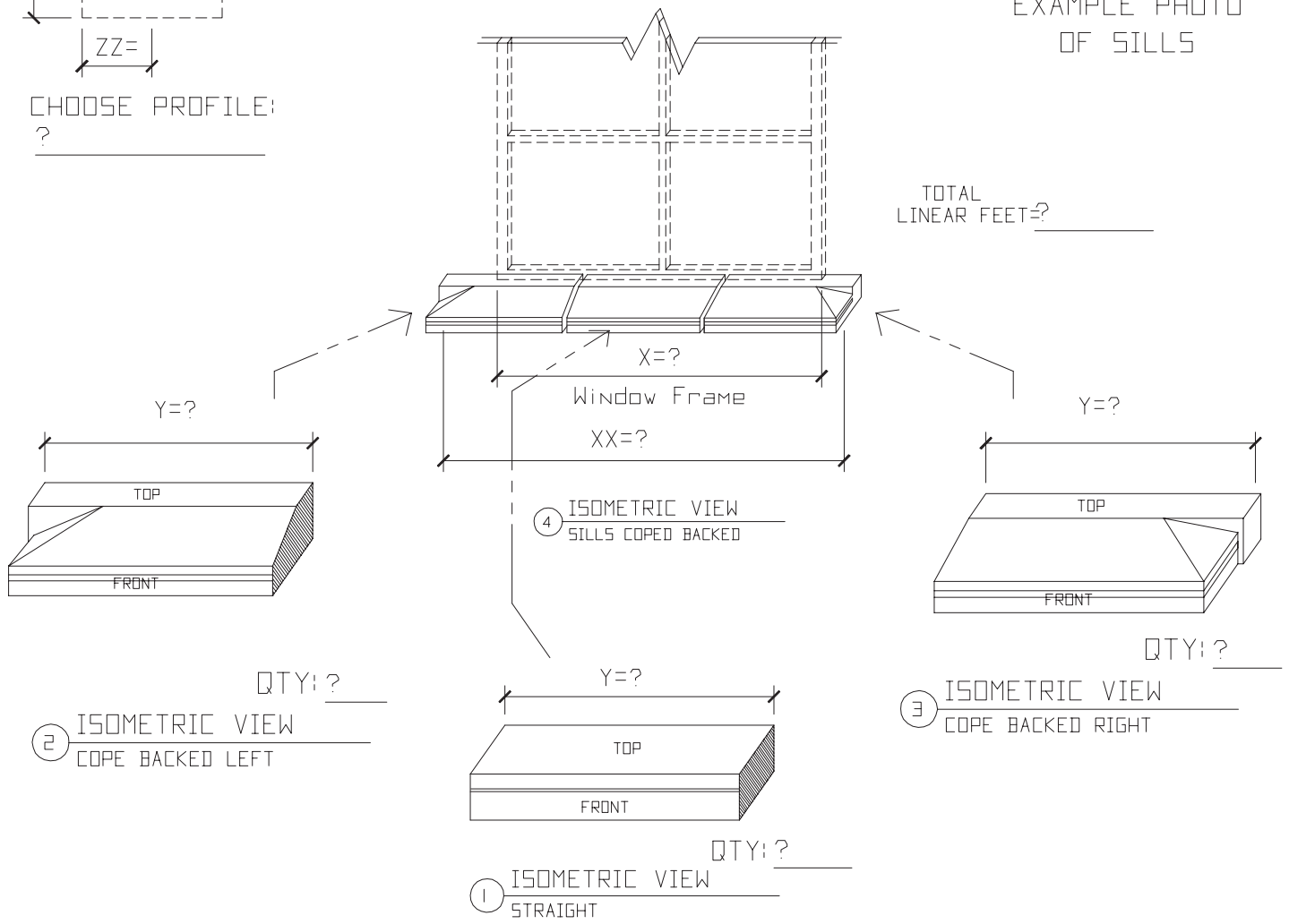
GENERIC SILLS



CHOOSE PROFILE:
? _____



EXAMPLE PHOTO OF SILLS



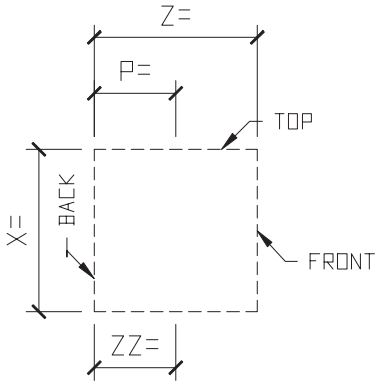
STANDARD COLOR CHOICE:
TAN \ WHITE \ BUFF

CUT TO FIT LENGTHS ARE
SUPPLIED IN 36" PIECES

Please print clearly

Unit ID: 7718

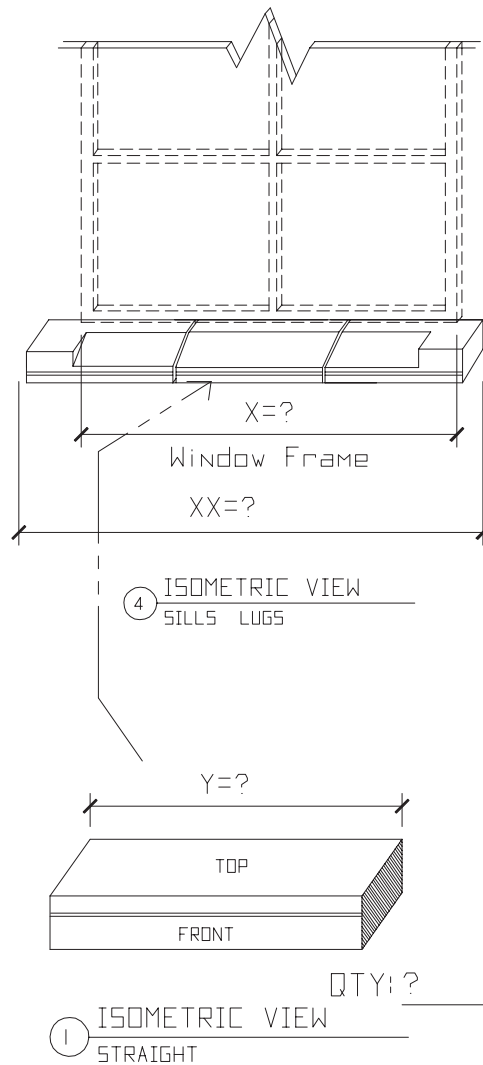
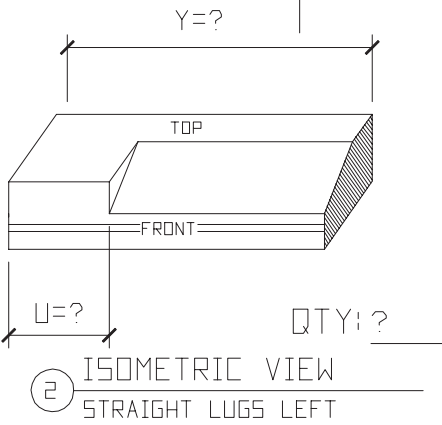
GENERIC SILLS



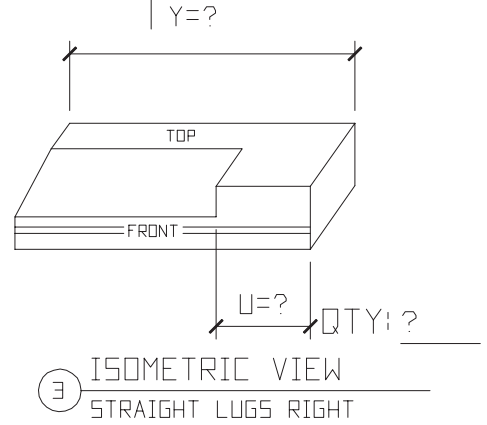
CHOOSE PROFILE:
? _____



EXAMPLE PHOTO
OF SILLS



TOTAL
LINEAR FEET=? _____



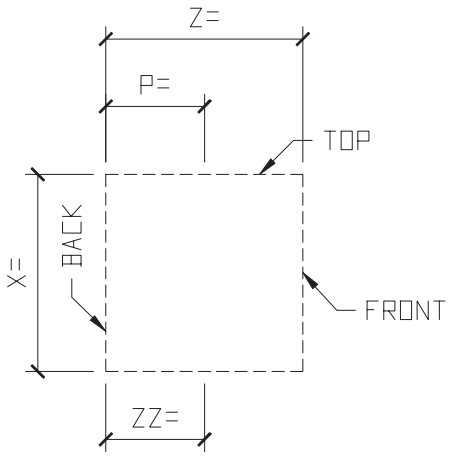
STANDARD COLOR CHOICE:
TAN \ WHITE \ BUFF

CUT TO FIT LENGTHS ARE
SUPPLIED IN 36" PIECES

Please print clearly

Unit ID: 7719

GENERIC SILL

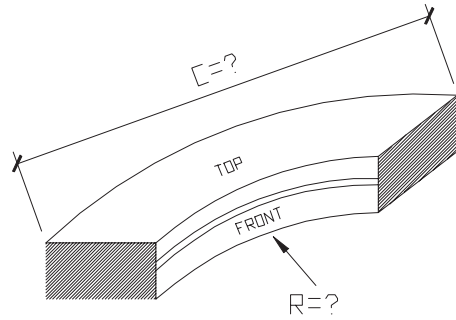


CHOOSE PROFILE:

? _____

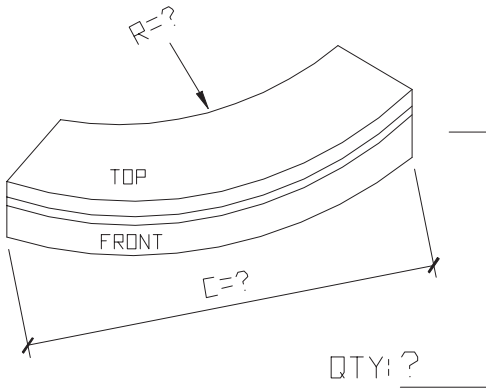


EXAMPLE PHOTO OF SILLS



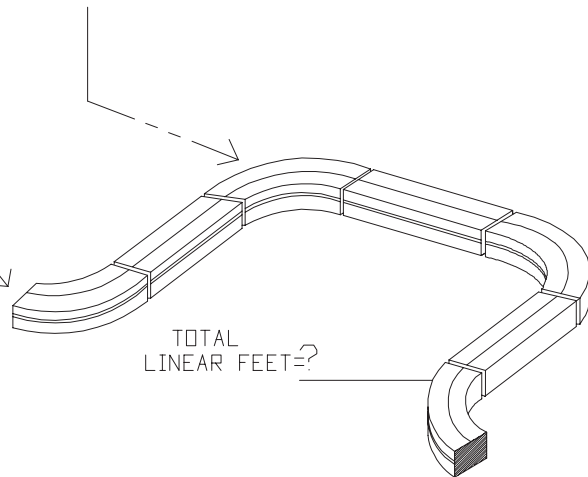
QTY: ? _____

① ISOMETRIC VIEW
COPE INSIDE RADIUS



QTY: ? _____

② ISOMETRIC VIEW
COPE OUTSIDE RADIUS



TOTAL LINEAR FEET=?

① ISOMETRIC VIEW
SILL

STANDARD COLOR CHOICES:
TAN \ WHITE \ BUFF

Please print clearly

Unit ID17720