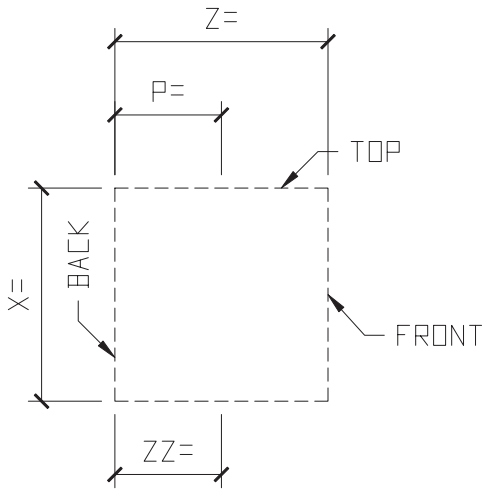


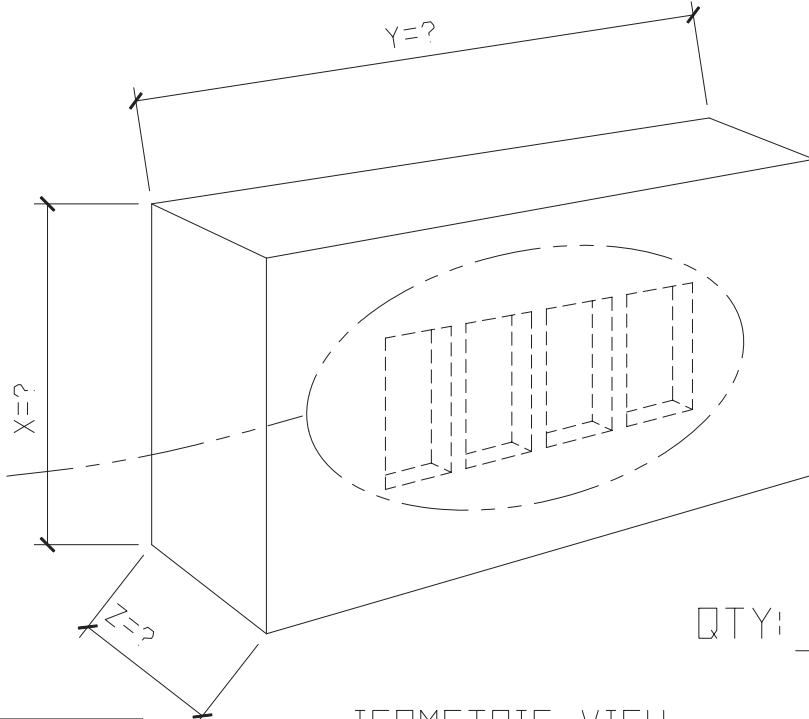
GENERIC ADDRESS BLOCK



CHAMFER

EXAMPLE PHOTO OF ADDRESS BLOCK

CHOOSE PROFILE:
?



QTY: ?

① ISOMETRIC VIEW
ADDRESS BLOCK

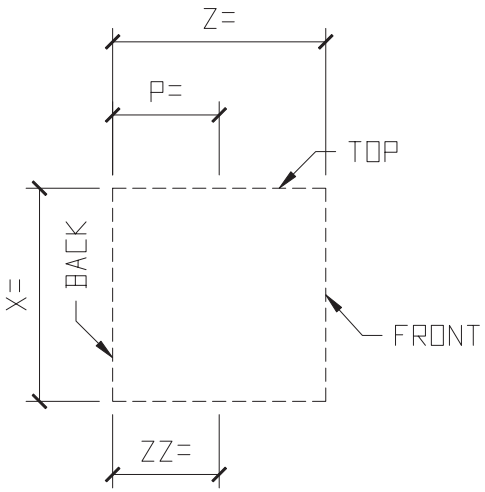
Verify Copy!			
Font:	Times Bold or		
Size:	3 3/4" H	X	3/4" Dp.
Other:	_____ H	X	_____ Dp.
()	()
()	()
(? Characters Maximum)			

STANDARD COLOR CHOICES:
TAN \ WHITE \ BUFF

Please print clearly

Unit ID: 7657

GENERIC STAIR



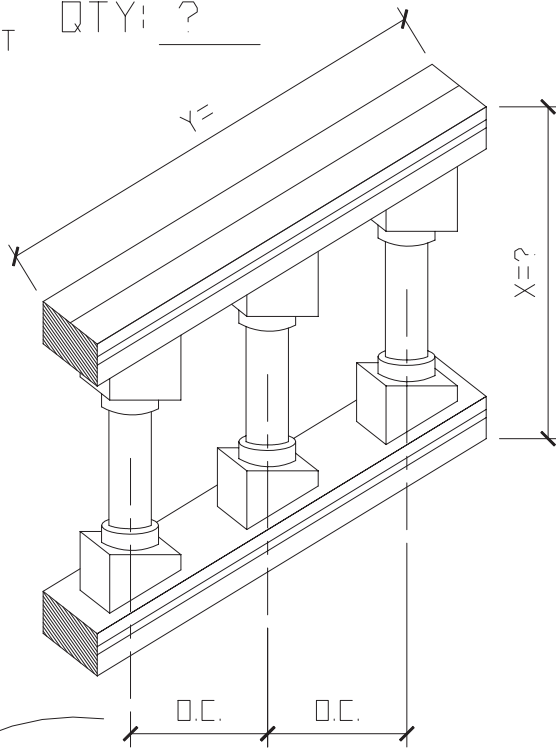
CHOOSE PROFILE:

BALUSTER LUGS ARE PRODUCED LONGER TO ACCOMMODATE ACTUAL SLOPE AND HEIGHT REQUIREMENTS. THEY WILL REQUIRE FIELD CUTTING.

BALL CODE TO BE VERIFIED BY CUSTOMER TO MEET THEIR LOCAL REQUIREMENTS

STANDARD COLOR CHOICE:
TAN \ WHITE \ BUFF

QTY: ?



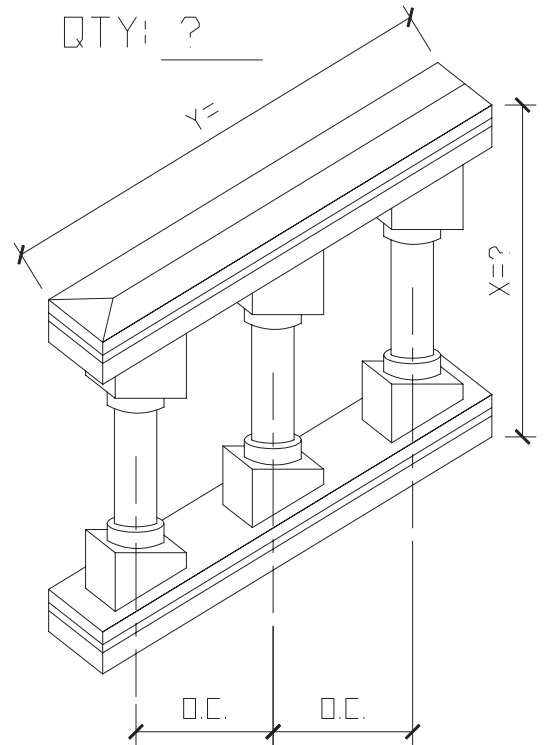
① ISOMETRIC VIEW
STAIR STRAIGHT

TOTAL
LINEAR FEET= ?



EXAMPLE PHOTO
OF BALUSTRADE

QTY: ?



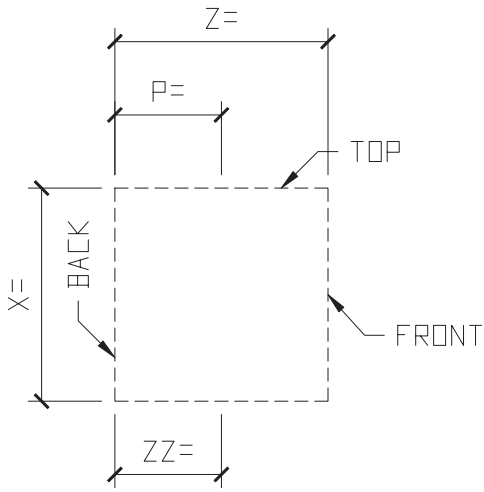
② ISOMETRIC VIEW
STAIR FINISHED END

CUT TO FIT LENGTHS ARE
SUPPLIED IN 36" PIECES

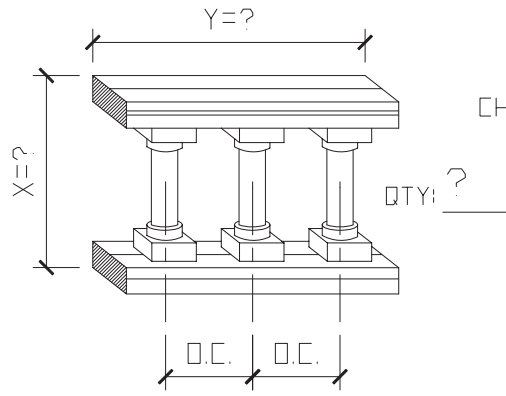
Please print clearly

Unit ID: 17702

GENERIC BALUSTRADE



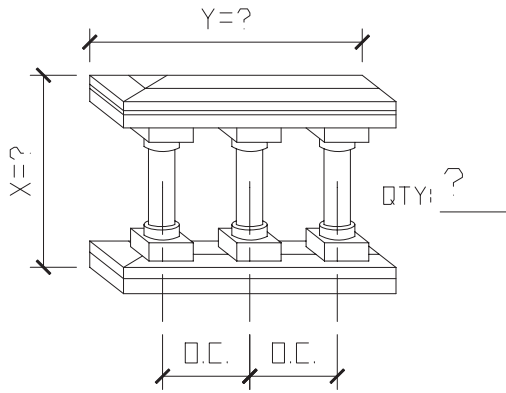
CHOOSE PROFILE:
?



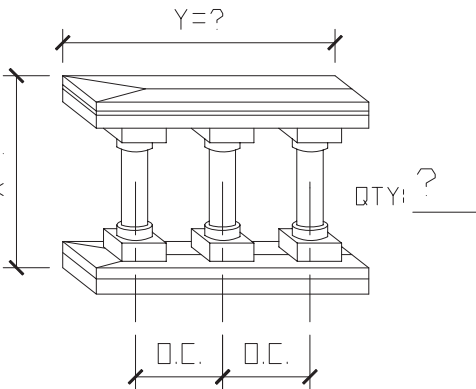
① ISOMETRIC VIEW
BALUSTRADE GRADE STRAIGHT



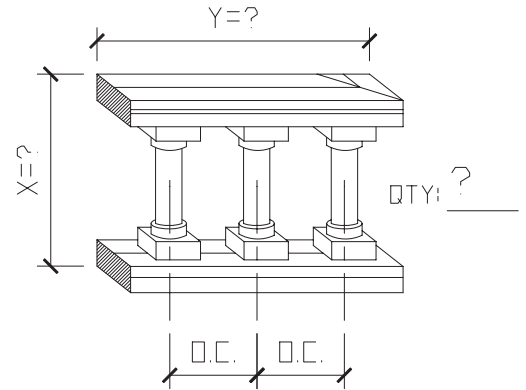
EXAMPLE PHOTO OF BALUSTRADE



② ISOMETRIC VIEW
BALUSTRADE GRADE COPED LEFT



③ ISOMETRIC VIEW
BALUSTRADE GRADE FINISHED END



④ ISOMETRIC VIEW
BALUSTRADE GRADE COPED RIGHT

TOTAL LINEAR FEET=?

STANDARD COLOR CHOICE:
TAN \ WHITE \ BUFF

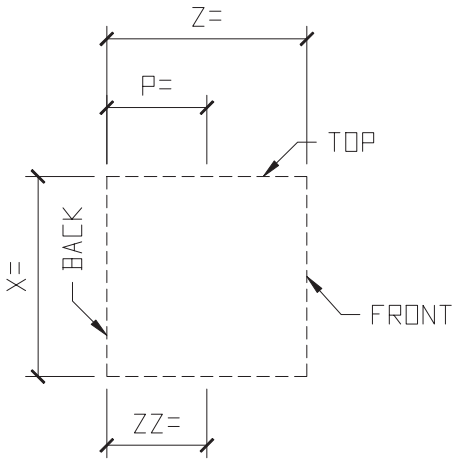
CUT TO FIT LENGTHS ARE
SUPPLIED IN 36" PIECES

BALL CODE TO BE
VERIFIED BY CUSTOMER
TO MEET THEIR LOCAL
REQUIREMENTS

Please print clearly

Unit ID: 7662

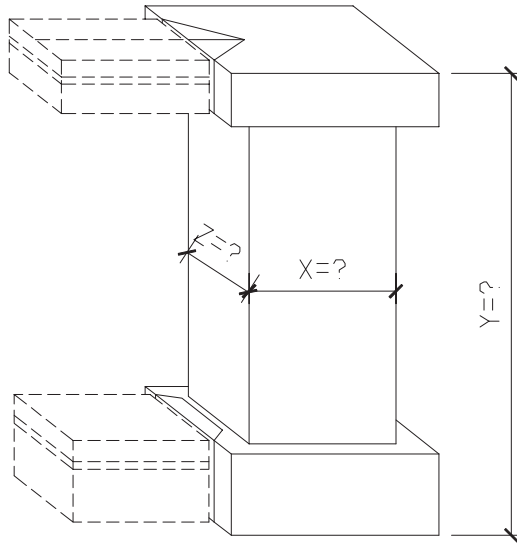
GENERIC NEWEL PIER PASS THROUGH



CHOOSE PROFILE:



EXAMPLE PHOTO
PASS THROUGH

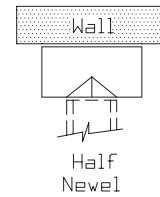
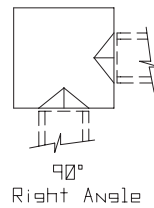
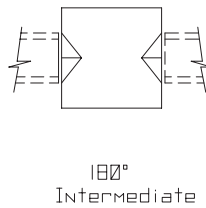
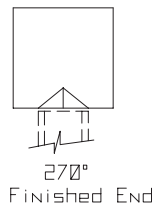


QTY: ? _____

ON PASS-THROUGH NEWEL
PIERS THE SHAFT WILL
HAVE A RECESS ON ALL
FOUR SIDES OF SHAFT

① ISOMETRIC VIEW
NEWEL PIER PASS THROUGH

(Indicate connection requirements)

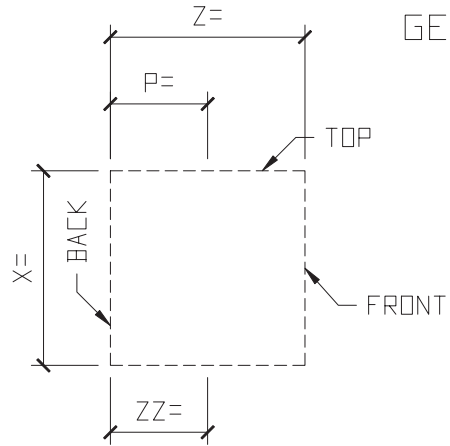


STANDARD COLOR CHOICE:
TAN \ WHITE \ BUFF

Please print clearly

Unit ID#7703

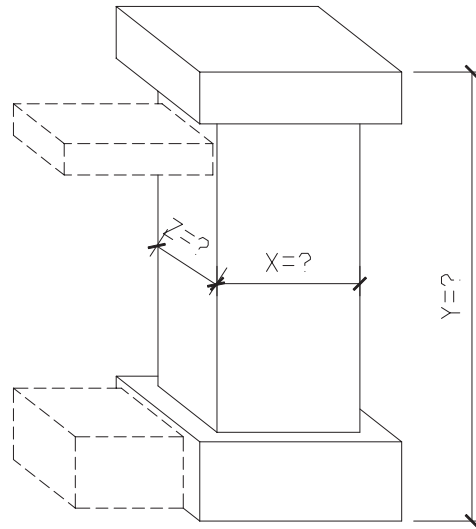
GENERIC NEWEL PIER STANDARD



CHOOSE PROFILE:
 ? _____



EXAMPLE PHOTO
 NEWEL PIER STANDARD



QTY: ? _____

STANDARD NEWEL PIERS
 WILL NOT HAVE A RECESS
 ON THE CONNECTION SIDES
 OF THE SHAFT

① ISOMETRIC VIEW
 NEWEL PIER STANDARD

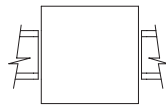
(Indicate connection requirements)



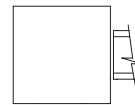
360°
 Stand Alone



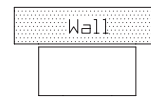
270°
 Finished End



180°
 Intermediate



90°
 Right Angle



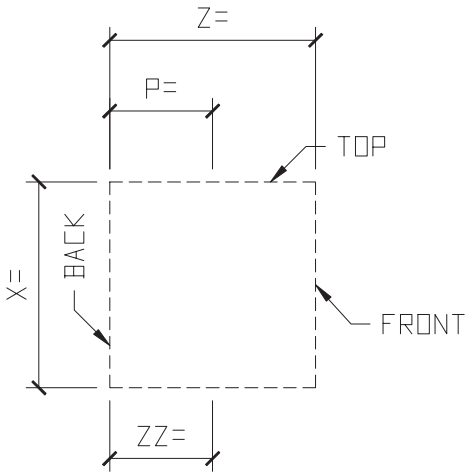
Half
 Newel

STANDARD COLOR CHOICE:
 TAN \ WHITE \ BUFF

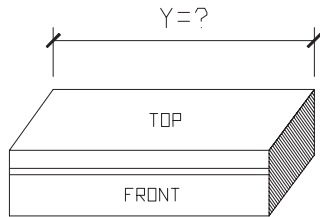
Please print clearly

Unit ID: 7704

GENERIC BANDING



CHOOSE PROFILE:
? _____

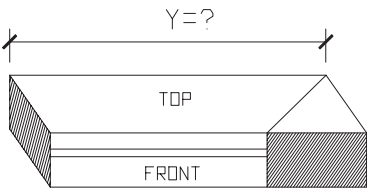


QTY: ? _____



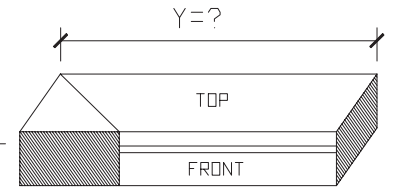
EXAMPLE PHOTO OF BANDING

① ISOMETRIC VIEW STRAIGHT



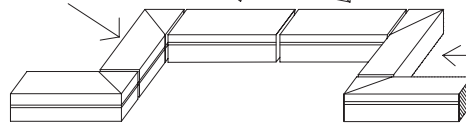
QTY: ? _____

② ISOMETRIC VIEW COPE INSIDE RIGHT

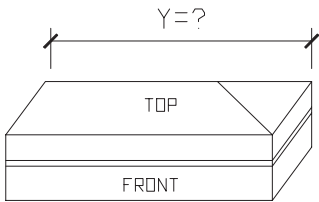


QTY: ? _____

③ ISOMETRIC VIEW COPE INSIDE LEFT

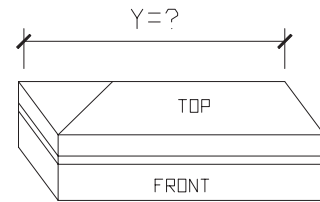


⑥ ISOMETRIC VIEW BANDING



QTY: ? _____

④ ISOMETRIC VIEW COPE OUTSIDE RIGHT



QTY: ? _____

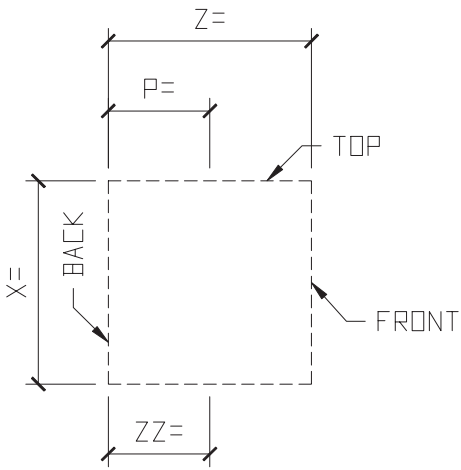
⑤ ISOMETRIC VIEW COPE OUTSIDE LEFT

STANDARD COLOR CHOICE:
TAN \ WHITE \ BUFF

Please print clearly

Unit ID: 7695

GENERIC BANDING

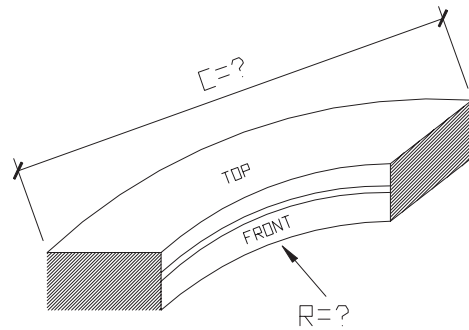


CHOOSE PROFILE:

? _____

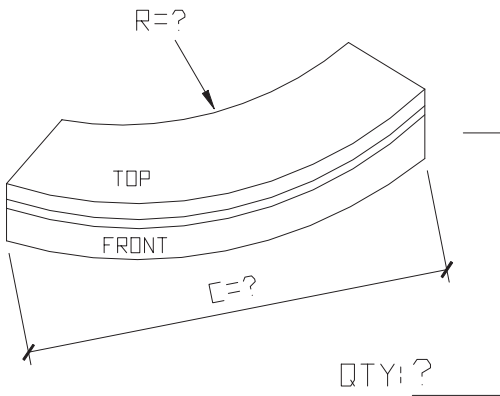


EXAMPLE PHOTO OF BANDING



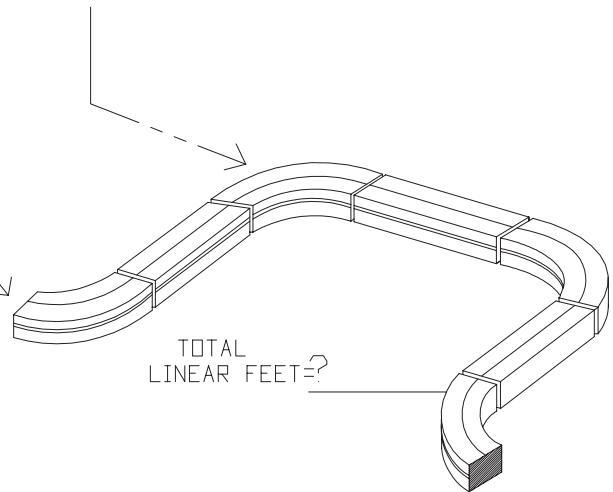
QTY: ? _____

① ISOMETRIC VIEW
COPE INSIDE RADIUS



QTY: ? _____

② ISOMETRIC VIEW
COPE OUTSIDE RADIUS



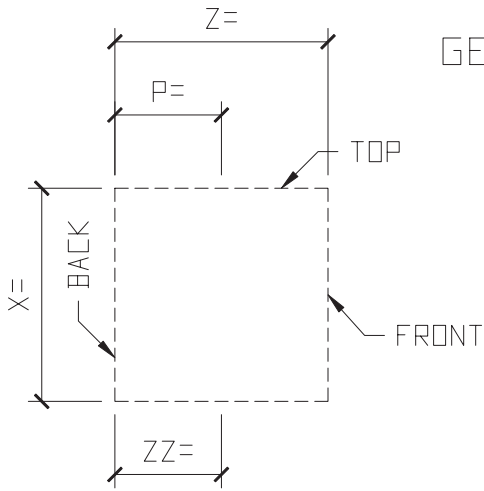
③ ISOMETRIC VIEW
RADIUS OUTSIDE

STANDARD COLOR CHOICES:
TAN \ WHITE \ BUFF

Please print clear

Unit ID:

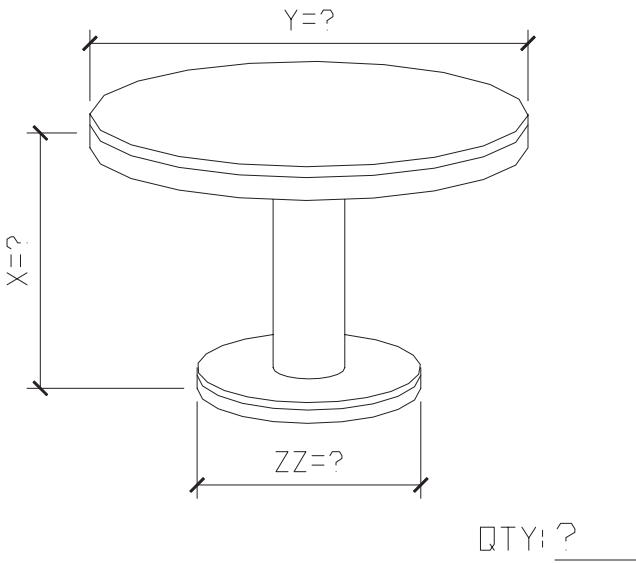
GENERIC BENCHES & TABLES



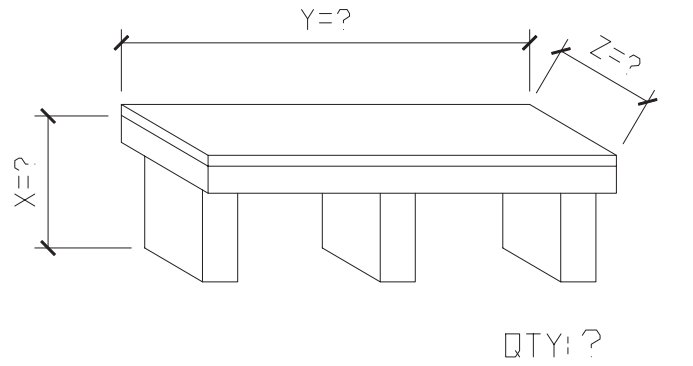
EXAMPLE PHOTO OF BENCHES & TABLES

CHOOSE PROFILE:

? _____



① ISOMETRIC VIEW
TABLE _____



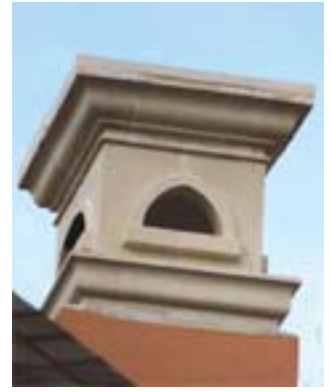
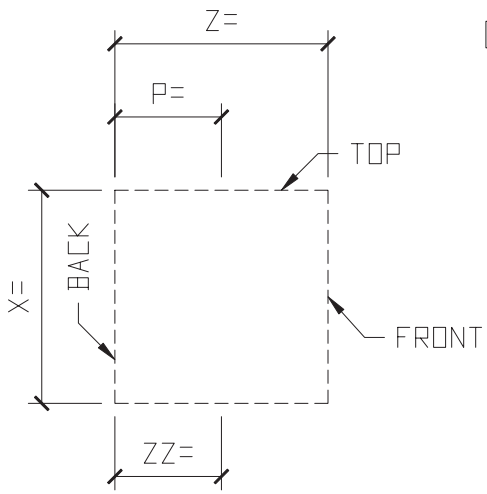
② ISOMETRIC VIEW
BENCH _____

STANDARD COLOR CHOICES:
TAN \ WHITE \ BUFF

Please print clearly

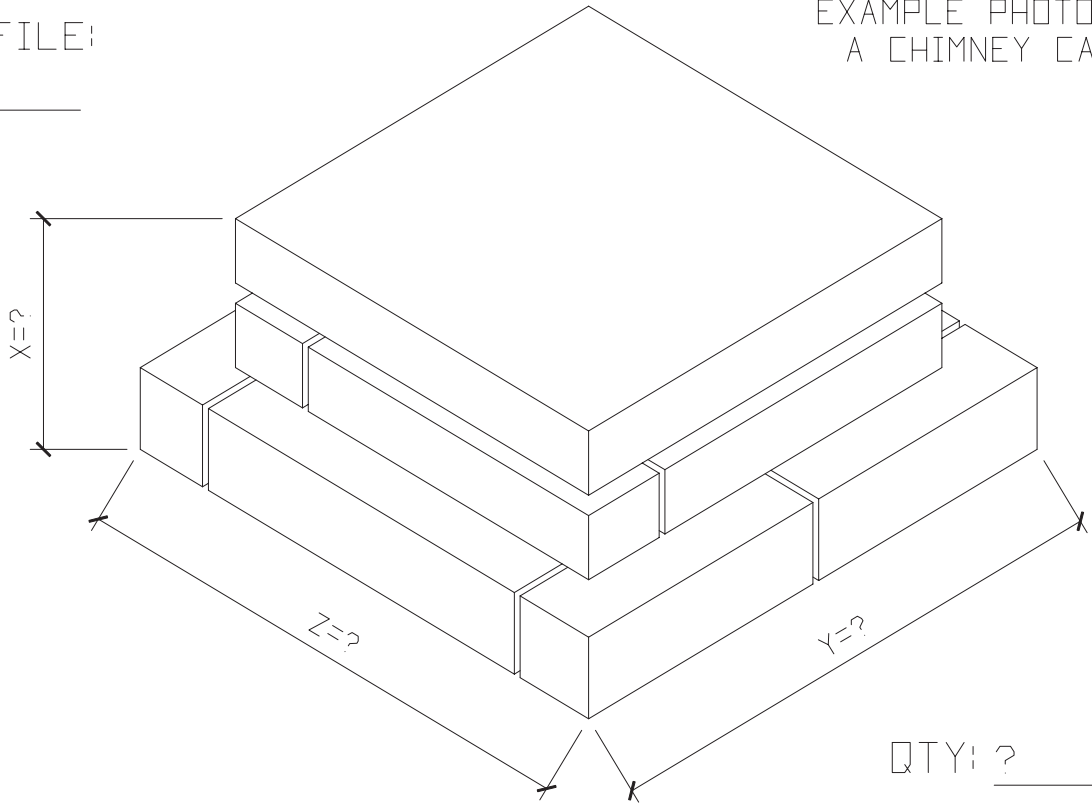
Unit ID: 7691

GENERIC CHIMNEY CAP



EXAMPLE PHOTO OF A CHIMNEY CAP

CHOOSE PROFILE:
?

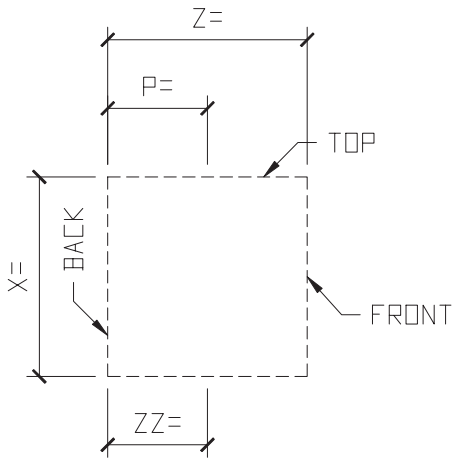


① ISOMETRIC VIEW
CHIMNEY CAP

STANDARD COLOR CHOICE:
TAN \ WHITE \ BUFF

Please print clearly

Unit ID: 17693



GENERIC COLUMN

PLEASE SELECT ONE



SOLID



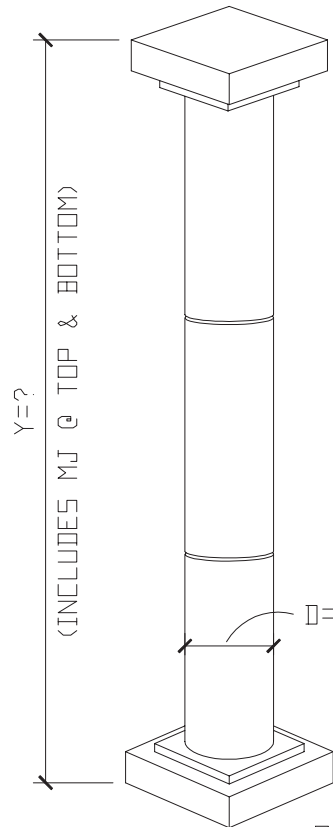
HOLLOW



EXAMPLE PHOTO OF COLUMN

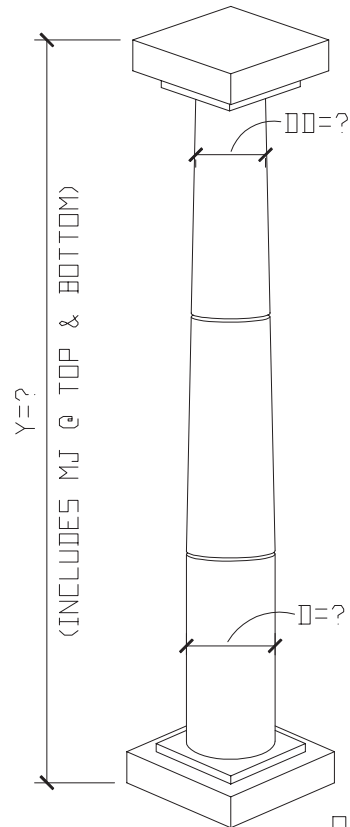
CHOOSE PROFILE:

? _____



QTY: _____

① ISOMETRIC VIEW
COLUMN STRAIGHT SMOOTH



QTY: _____

① ISOMETRIC VIEW
COLUMN TAPERED SMOOTH

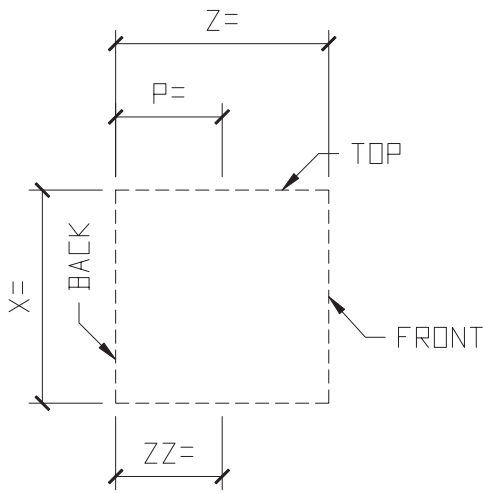
For proportional reasons, 6 shaft segments are suggested when a column is 14' or taller.

STANDARD COLOR CHOICES:
TAN \ WHITE \ BUFF

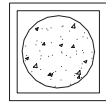
Please print clearly

Unit ID#2921

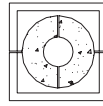
GENERIC COLUMN



PLEASE SELECT ONE



SOLID

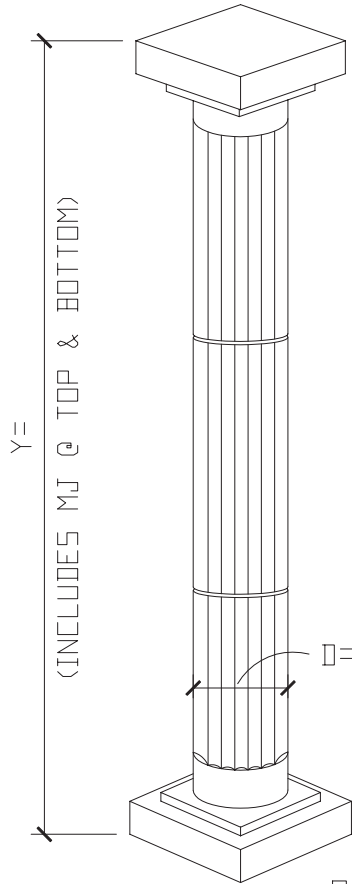


HOLLOW

CHOOSE PROFILE:

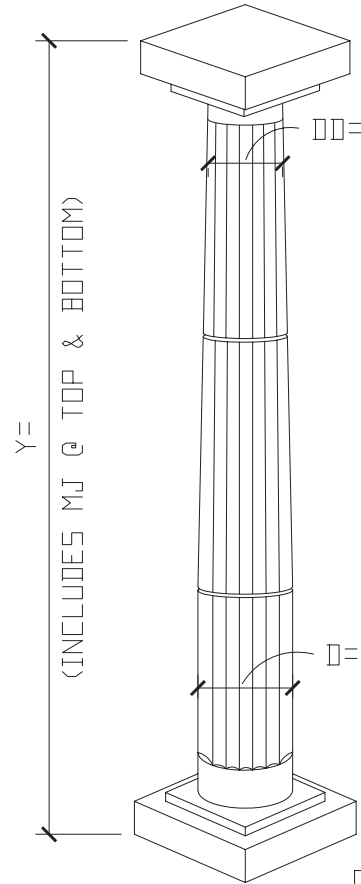


EXAMPLE PHOTO OF COLUMN



QTY: _____

① ISOMETRIC VIEW
COLUMN STRAIGHT FLUTED



QTY: _____

① ISOMETRIC VIEW
COLUMN TAPERED FLUTED

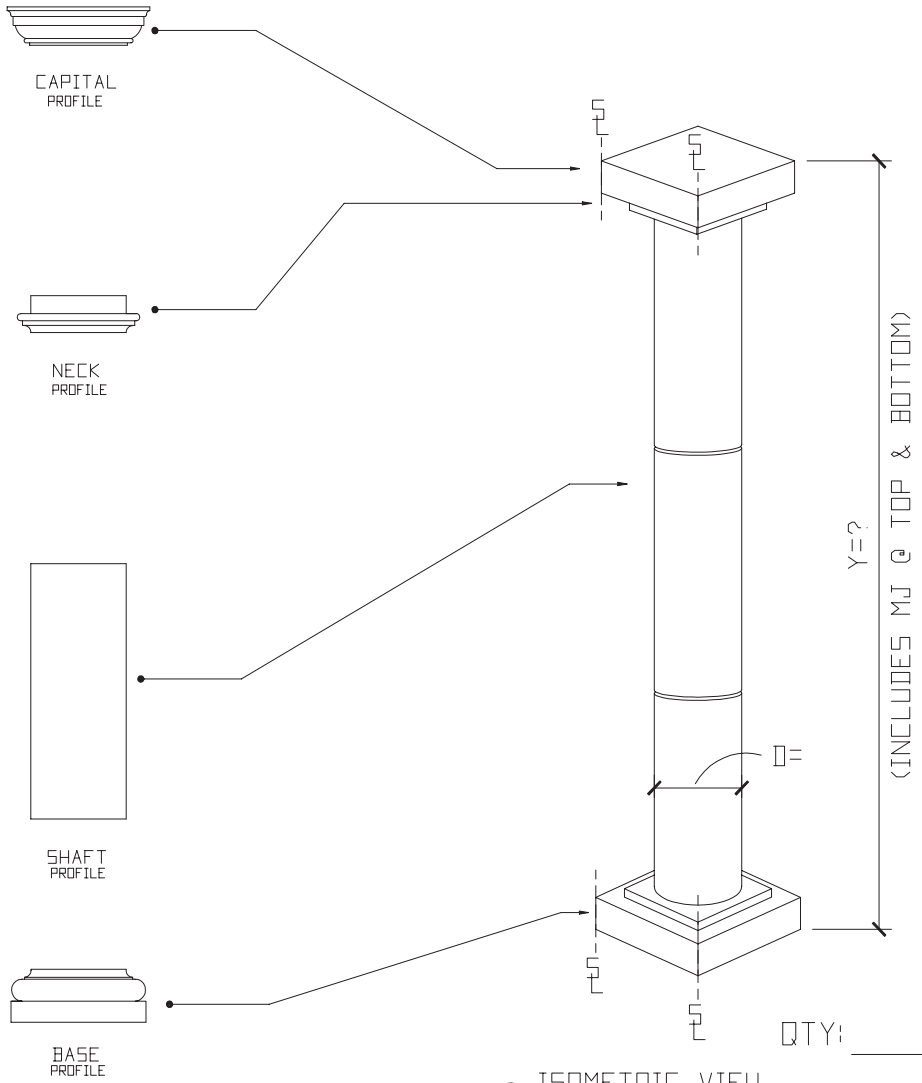
For proportional reasons, 6 shaft segments are suggested when a column is 14' or taller.

STANDARD COLOR CHOICES:
TAN \ WHITE \ BUFF

Please print clearly

Unit ID: 2922

COLUMN



① ISOMETRIC VIEW
COLUMN STRAIGHT SMOOTH

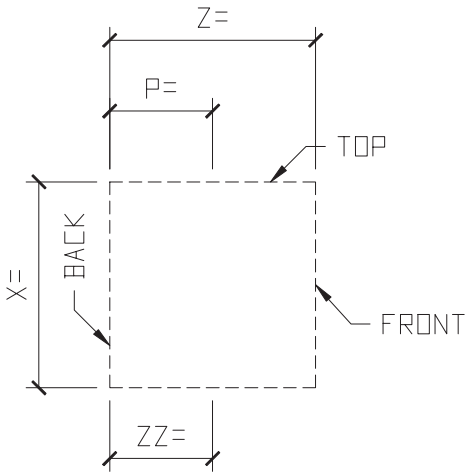


EXAMPLE PHOTO OF COLUMN

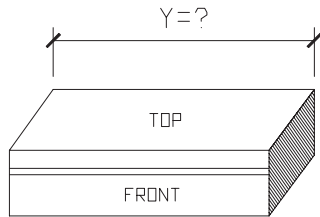
For proportional reasons, 6 shaft segments are suggested when a column is 14' or shorter.
STANDARD COLOR CHOICES:
TAN \ WHITE \ BUFF

Please print clear
Unit ID:

GENERIC POOL COPING



CHOOSE PROFILE:
? _____

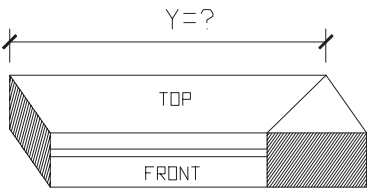


QTY: ? _____



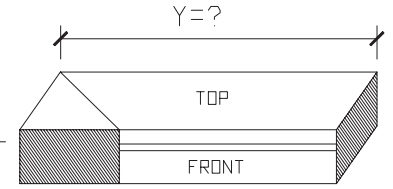
EXAMPLE PHOTO OF POOL COPING

① ISOMETRIC VIEW STRAIGHT



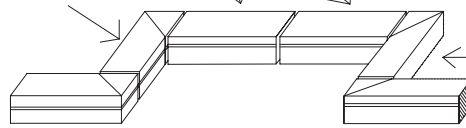
QTY: ? _____

② ISOMETRIC VIEW COPE INSIDE RIGHT

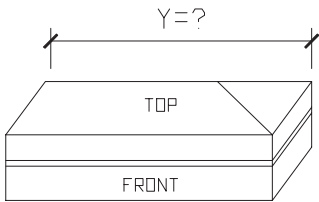


QTY: ? _____

③ ISOMETRIC VIEW COPE INSIDE LEFT

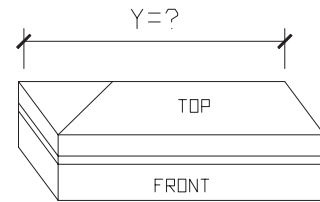


⑥ ISOMETRIC VIEW BANDING



QTY: ? _____

④ ISOMETRIC VIEW COPE OUTSIDE RIGHT



QTY: ? _____

⑤ ISOMETRIC VIEW COPE OUTSIDE LEFT

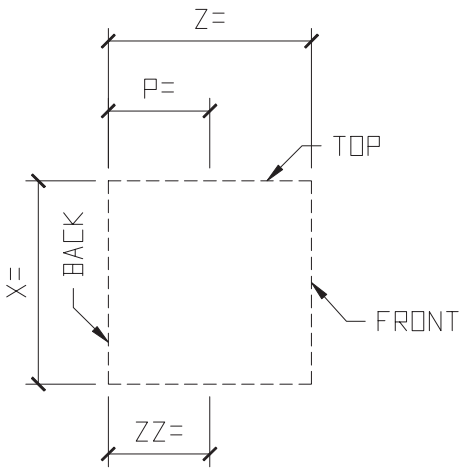
STANDARD COLOR CHOICE:
TAN \ WHITE \ BUFF

Please print clearly

GENERIC POOL COPING

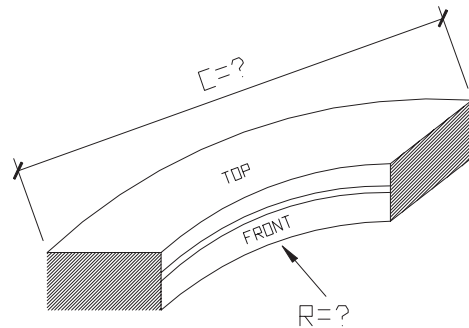


EXAMPLE PHOTO OF POOL COPING



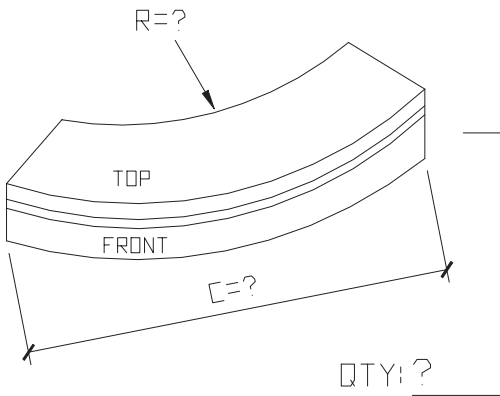
CHOOSE PROFILE:

? _____



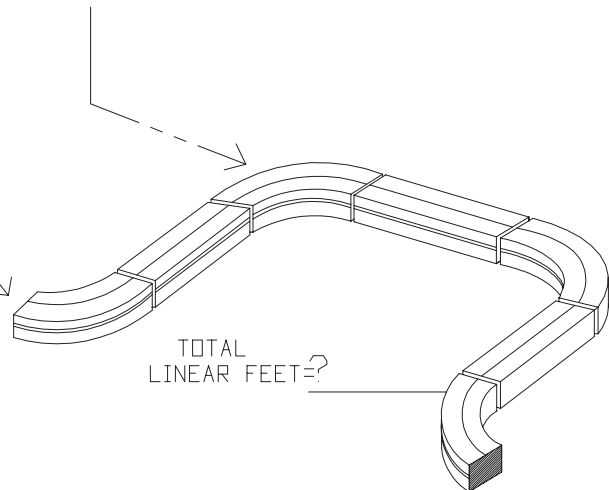
QTY: ? _____

① ISOMETRIC VIEW
COPE INSIDE RADIUS



QTY: ? _____

② ISOMETRIC VIEW
COPE OUTSIDE RADIUS



TOTAL LINEAR FEET=? _____

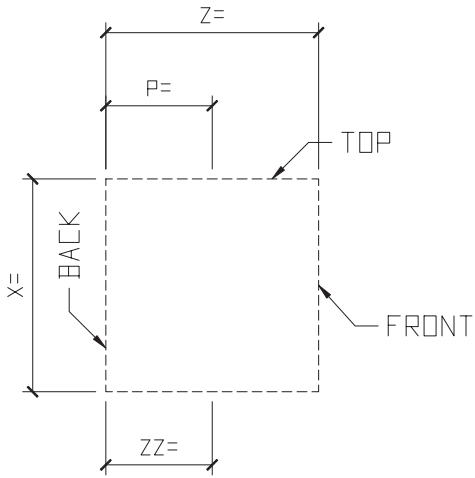
③ ISOMETRIC VIEW
RADIUS OUTSIDE

STANDARD COLOR CHOICES:
TAN \ WHITE \ BUFF

Please print clear

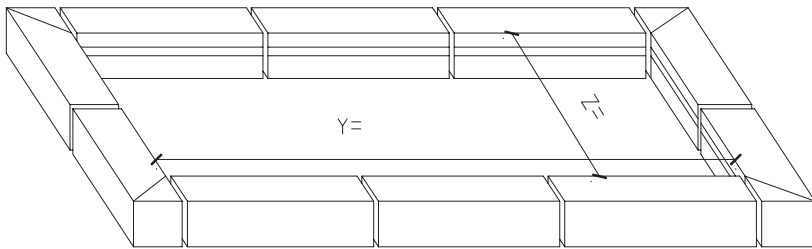
Unit ID:

GENERIC POOL COPING



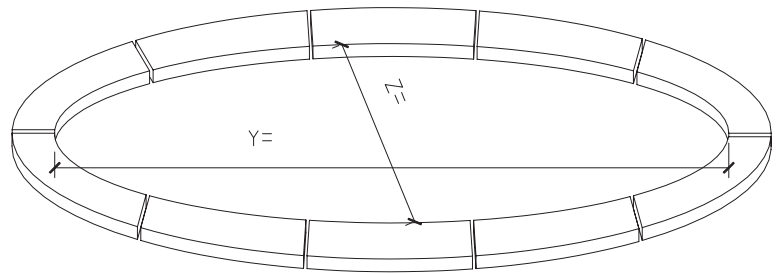
EXAMPLE PHOTO OF POOL COPING

CHOOSE PROFILE:



QTY: _____

① ISOMETRIC VIEW
RECTANGULAR POOL COPING



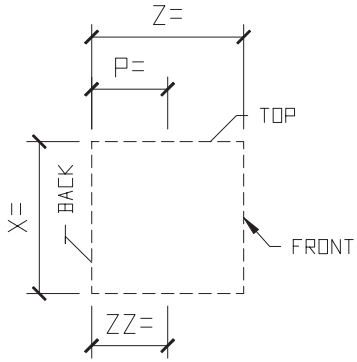
QTY: _____

② ISOMETRIC VIEW
OVAL POOL COPING

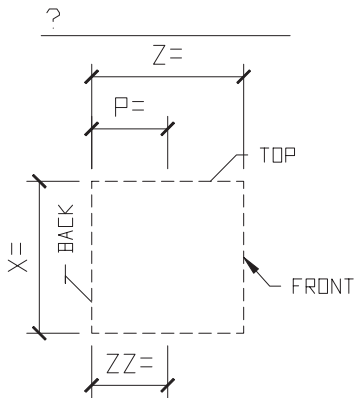
STANDARD COLOR CHOICE:
TAN \ WHITE \ BUFF

Please print clear

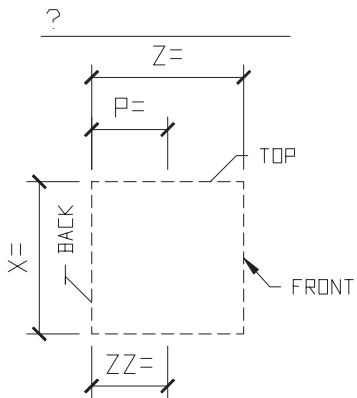
GENERIC SURROUND DOOR SQUARE TOP



SURROUND PROFILE:



KEystone PROFILE:



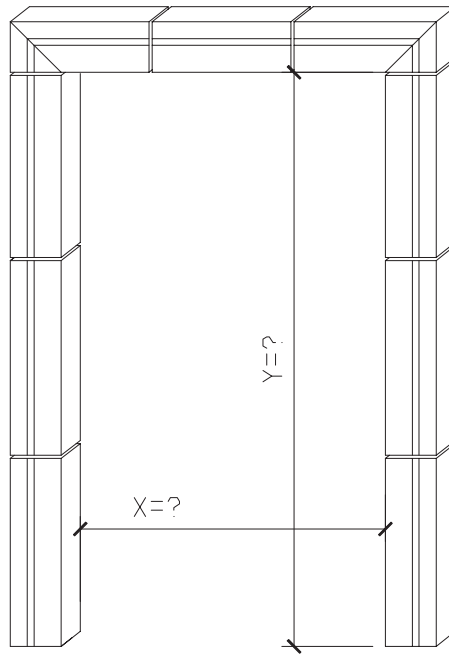
SILL PROFILE:



STANDARD COLOR CHOICE:
TAN \ WHITE \ BUFF



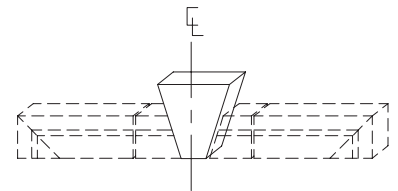
EXAMPLE PHOTO
OF SURROUND



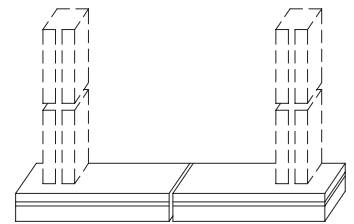
① ISOMETRIC VIEW
SURROUND DOOR SQUARE TOP

QTY: ? _____

TYPICAL MODIFIERS



MODIFIERS: KEYSTONE

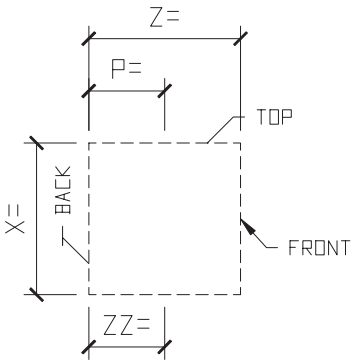


MODIFIER: SILL

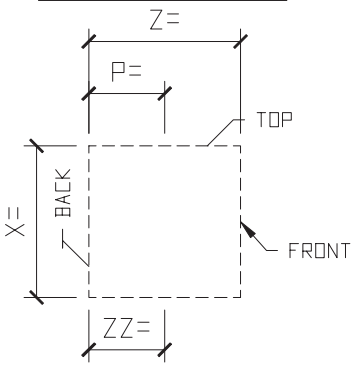
Please print clearly

Unit ID: 2892

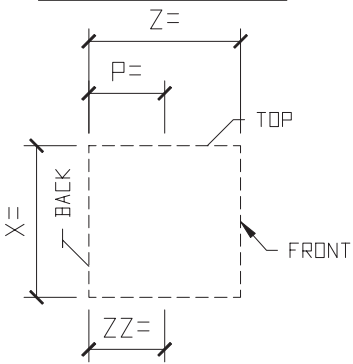
GENERIC SURROUND DOOR SQUARE TOP



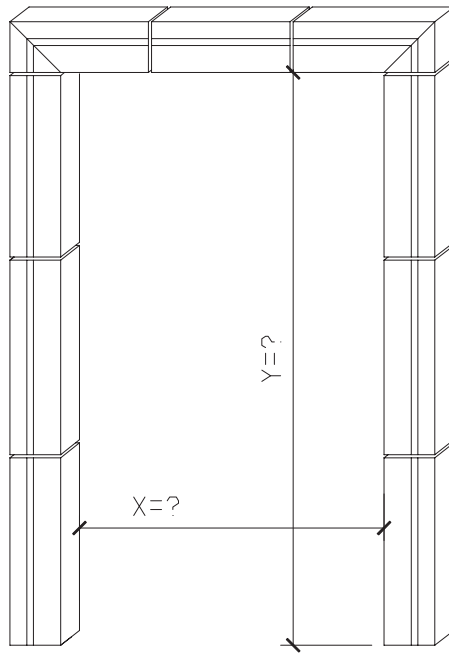
SURROUND PROFILE:
?



OTHER PROFILE:
?



OTHER PROFILE:
?



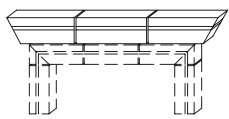
QTY: ?

1 ISOMETRIC VIEW
SURROUND DØØR SQUARE TOP

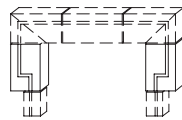


EXAMPLE PHOTO
OF SURROUND

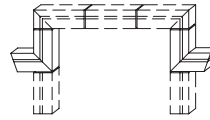
ADDITIONAL MODIFIERS



MODIFIERS: CROWN



MODIFIERS: EAR



MODIFIER: WING

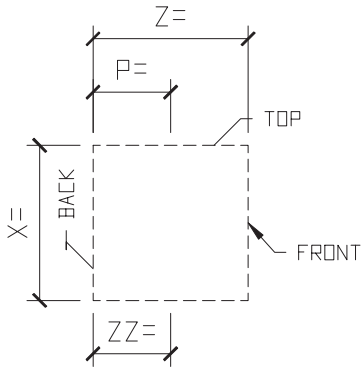


MODIFIER: PLINTH

STANDARD COLOR CHOICE:
TAN \ WHITE \ BUFF

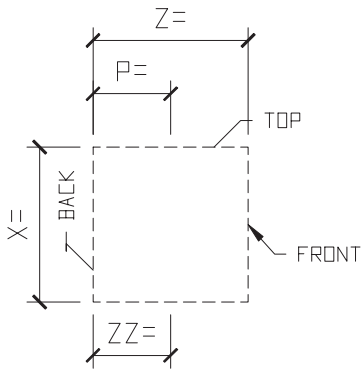
Please print clearly

Unit ID:



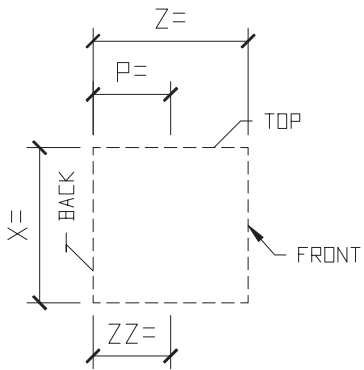
SURROUND PROFILE:

? _____



KEYSTONE PROFILE:

? _____

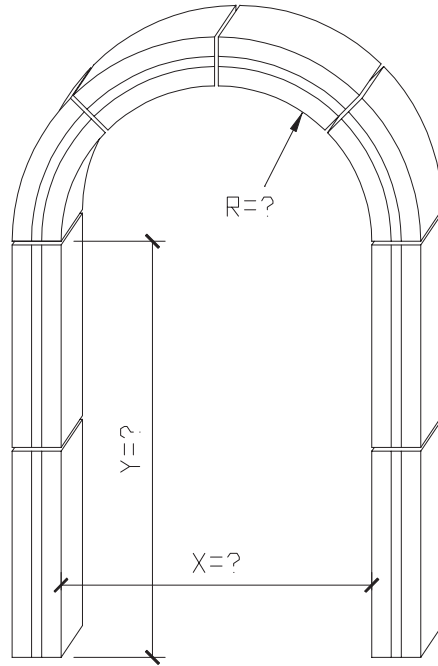


SILL PROFILE:

? _____

STANDARD COLOR CHOICE:
TAN \ WHITE \ BUFF

GENERIC SURROUND DOOR CIRCLE TOP



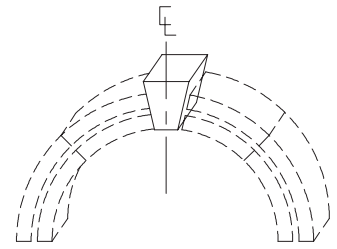
① ISOMETRIC VIEW
SURROUND DOOR CIRCLE TOP

QTY: ? _____

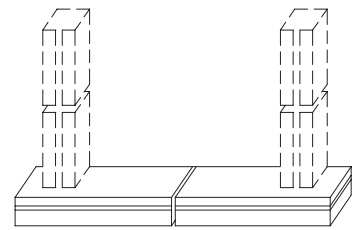


EXAMPLE PHOTO
OF SURROUND

TYPICAL MODIFIERS



MODIFIERS: KEYSTONE

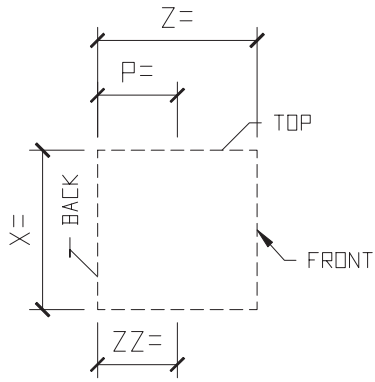


MODIFIER: SILL

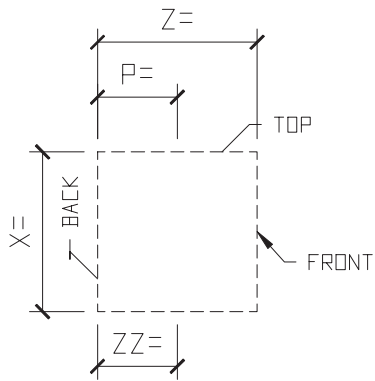
Please print clearly

Unit ID: 2887

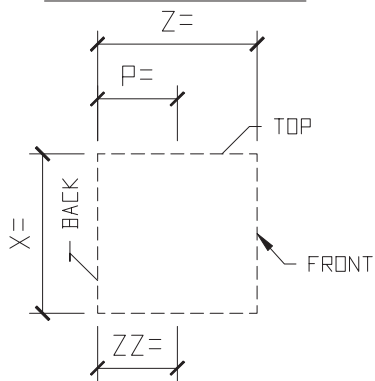
GENERIC SURROUND DOOR CIRCLE TOP



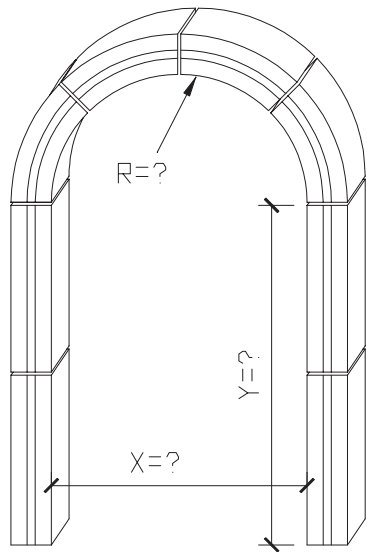
SURROUND PROFILE:
?



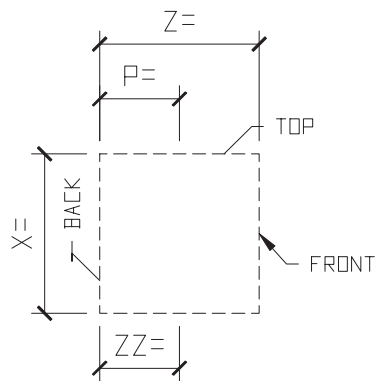
EAR PROFILE:
?



WING PROFILE:
?



① ISOMETRIC VIEW
SURROUND CIRCLE TOP
QTY: ?

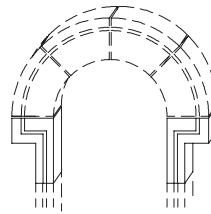


PLINITH PROFILE:
?

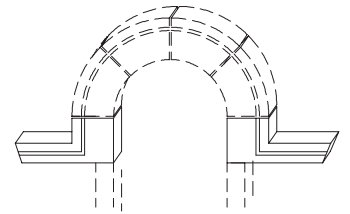


EXAMPLE PHOTO
OF SURROUND CIRCLE TOP

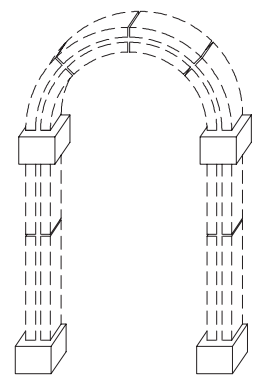
TYPICAL MODIFIERS



MODIFIERS: EAR



MODIFIERS: WINGS



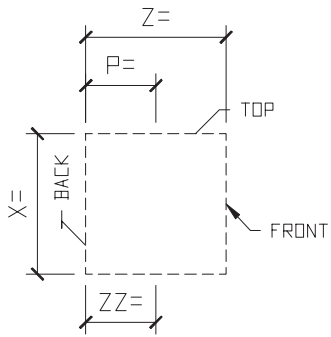
MODIFIER: PLINITH

STANDARD COLOR CHOICE:
TAN \ WHITE \ BUFF

Please print clearly

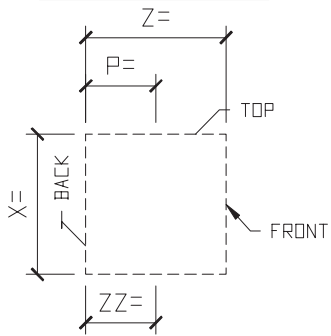
Unit ID:

GENERIC SURROUND DOOR EYEBROW



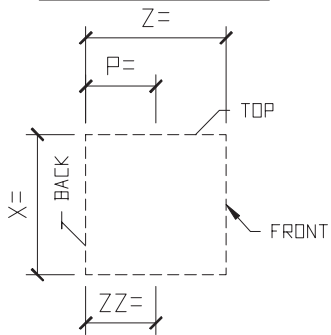
SURROUND PROFILE:

?



KEYSTONE PROFILE:

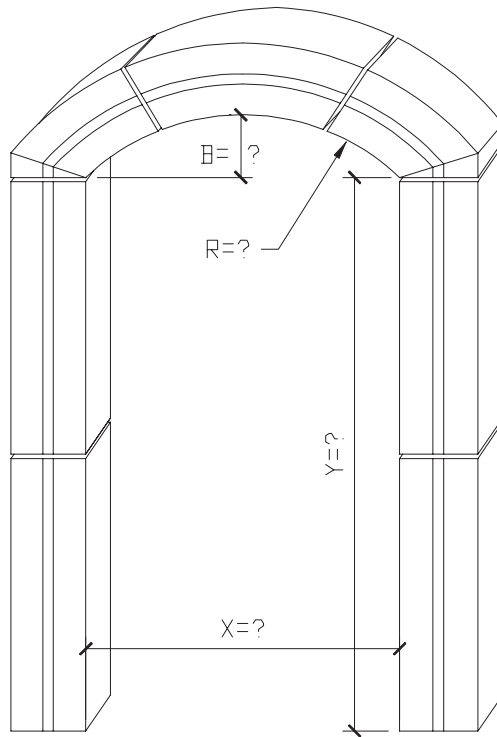
?



SILL PROFILE:

?

STANDARD COLOR CHOICE:
TAN \ WHITE \ BUFF



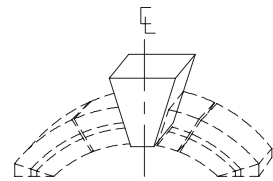
① ISOMETRIC VIEW
SURROUND DOOR EYEBROW

QTY: ?

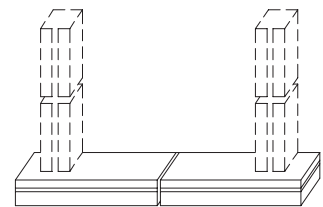


EXAMPLE PHOTO
OF SURROUND

TYPICAL MODIFIERS



MODIFIERS: KEYSTONE

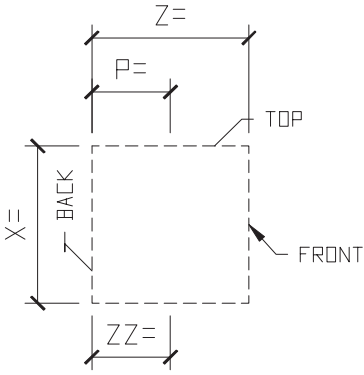


MODIFIER: SILL

Please print clearly

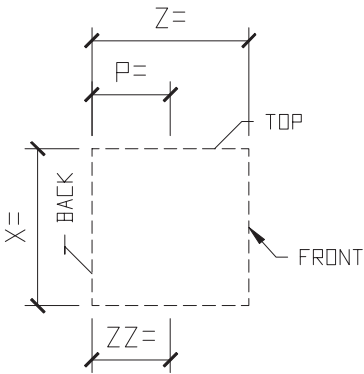
Unit ID#2886

GENERIC SURROUND DOOR EYEBROW



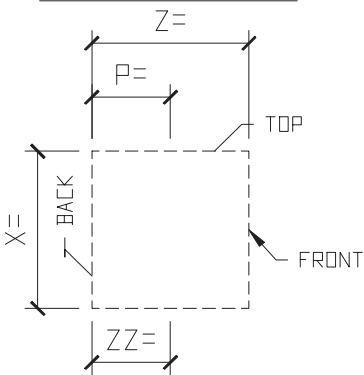
SURROUND PROFILE:

?



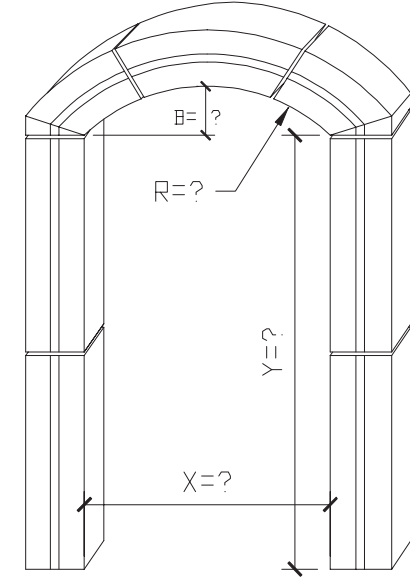
EAR PROFILE:

?

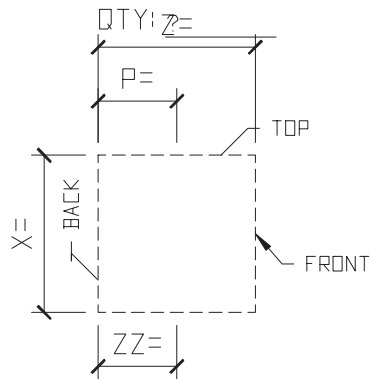


WING PROFILE:

?



ISOMETRIC VIEW
SURROUND DOOR EYEBROW



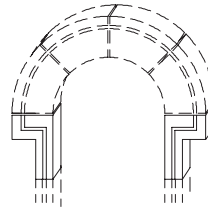
PLINITH PROFILE:

?

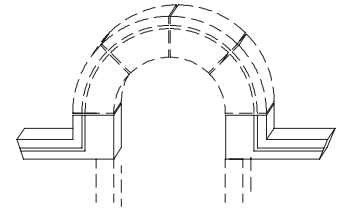


EXAMPLE PHOTO OF SURROUND

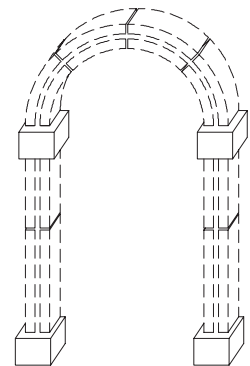
TYPICAL MODIFIERS



MODIFIERS: EAR



MODIFIERS: WINGS



MODIFIER: PLINITH

STANDARD COLOR CHOICE:
TAN \ WHITE \ BUFF

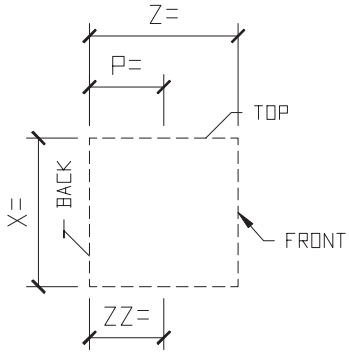
Please print clearly

Unit ID:

GENERIC SURROUND DOOR ELLIPTICAL

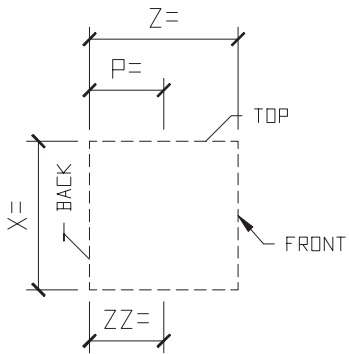


EXAMPLE PHOTO OF
ELLIPTICAL SURROUND



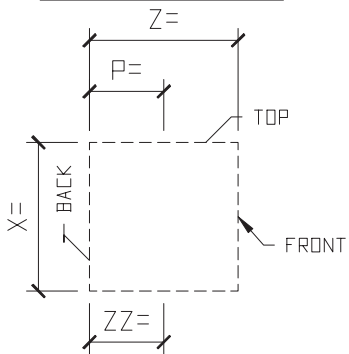
SURROUND PROFILE:

?



KEystone PROFILE:

?

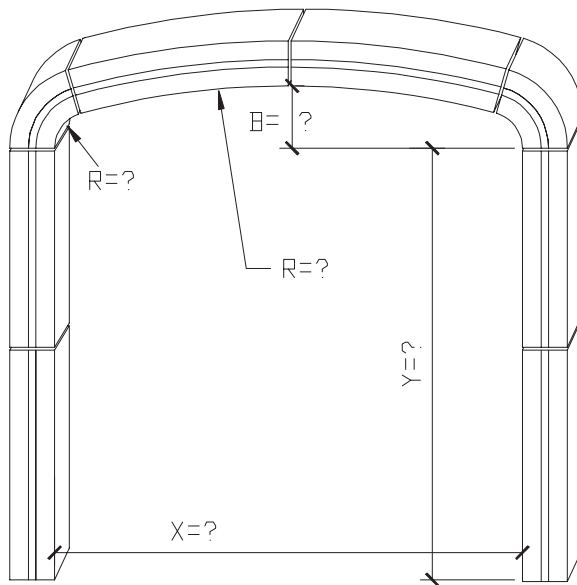


SILL PROFILE:

?

STANDARD COLOR CHOICE:

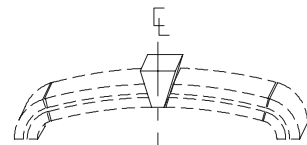
TAN \ WHITE \ BUFF



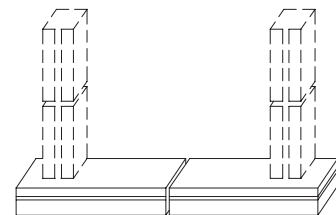
① ISOMETRIC VIEW
SURROUND DOOR ELLIPTICAL

QTY: ? _____

TYPICAL MODIFIERS



MODIFIERS: KEYSTONE

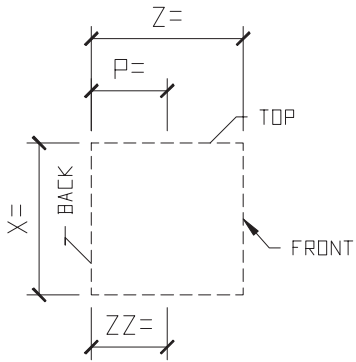


MODIFIER: SILL

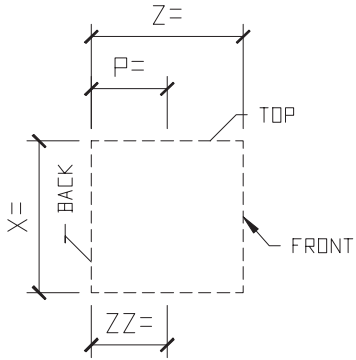
Please print clearly

Unit ID: 2908

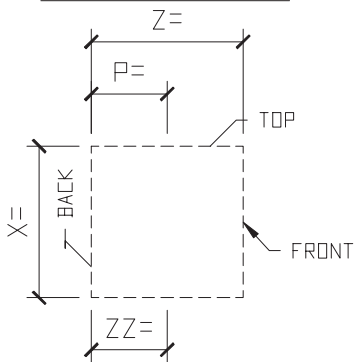
GENERIC SURROUND DOOR ELLIPTICAL



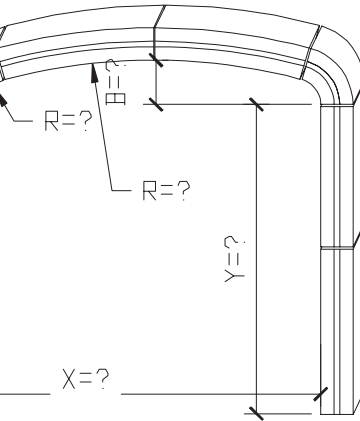
SURROUND PROFILE:
?



WING PROFILE:
?

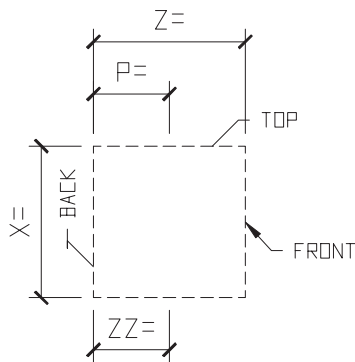


EAR PROFILE:
?



① ISOMETRIC VIEW
SURROUND ELLIPTICAL

QTY: ?



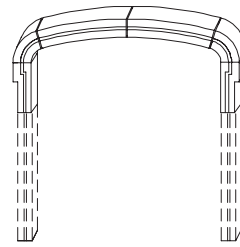
PLINITH PROFILE:
?

STANDARD COLOR CHOICE:
TAN \ WHITE \ BUFF

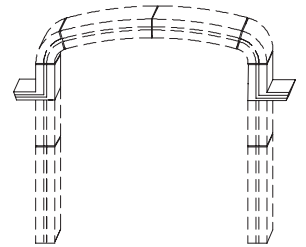


EXAMPLE PHOTO OF ELLIPTICAL SURROUND

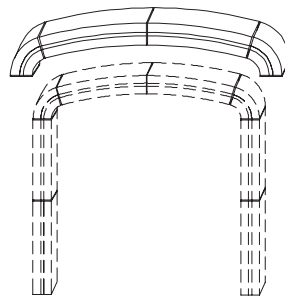
ADDITIONAL MODIFIERS



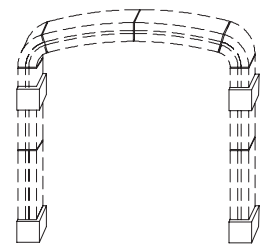
MODIFIERS: EAR



MODIFIERS: WING



MODIFIERS: CROWN

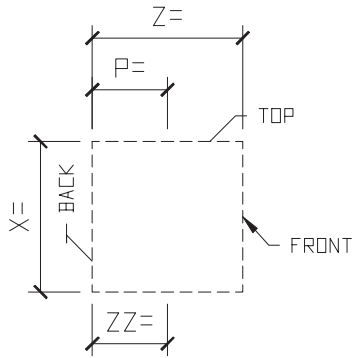


MODIFIERS: PLINITH

Please print clearly

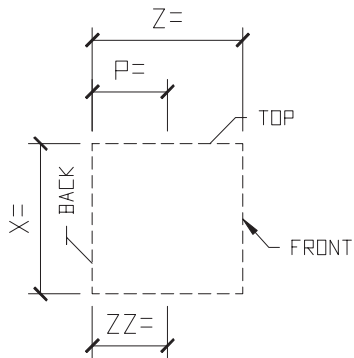
Unit ID: 7714

GENERIC SURROUND DOOR EYEBROW



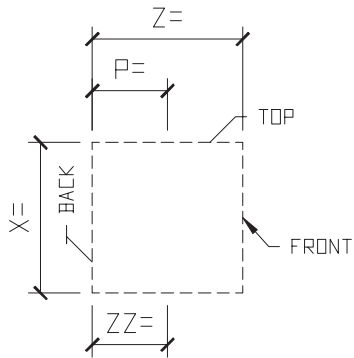
SURROUND PROFILE:

? _____



KEYSTONE PROFILE:

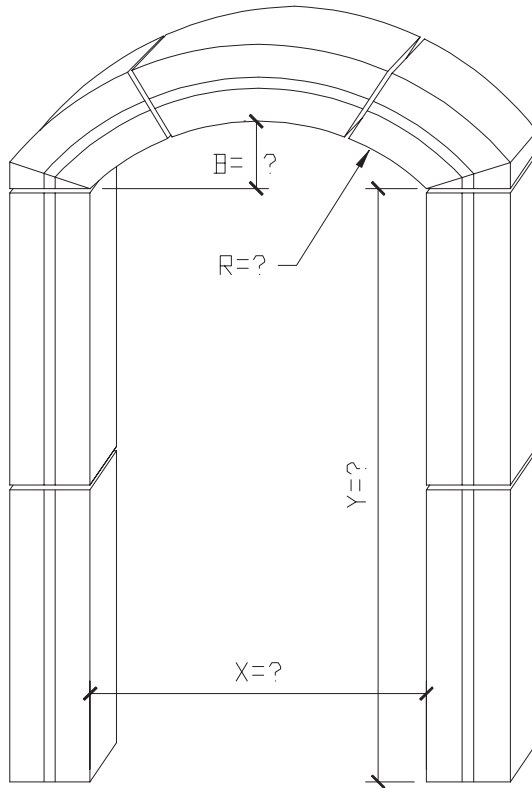
? _____



SILL PROFILE:

? _____

STANDARD COLOR CHOICE:
TAN \ WHITE \ BUFF



① ISOMETRIC VIEW
SURROUND DOOR EYEBROW

QTY: ? _____

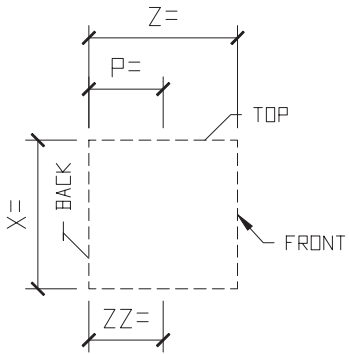


EXAMPLE PHOTO
OF SURROUND

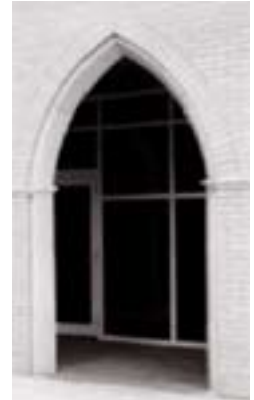
Please print clearly

Unit ID: _____

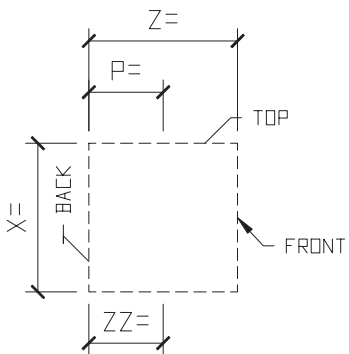
GENERIC SURROUND DOOR GOTHIC



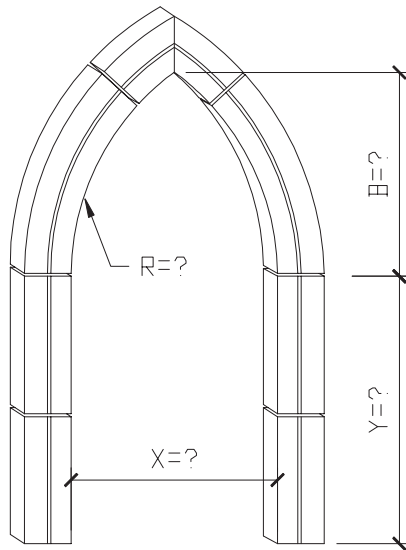
SURROUND PROFILE:
?



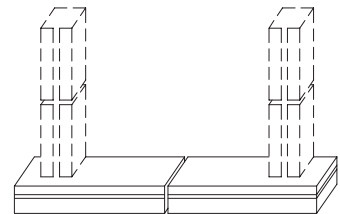
EXAMPLE PHOTO
OF SURROUND



SILL PROFILE:
?



TYPICAL MODIFIERS



MODIFIER: SILL

1 ISOMETRIC VIEW
SURROUND DOOR GOTHIC

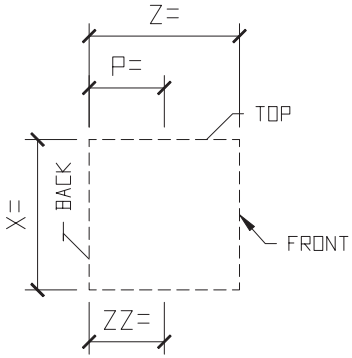
QTY: ?

STANDARD COLOR CHOICE:
TAN \ WHITE \ BUFF

Please print clearly

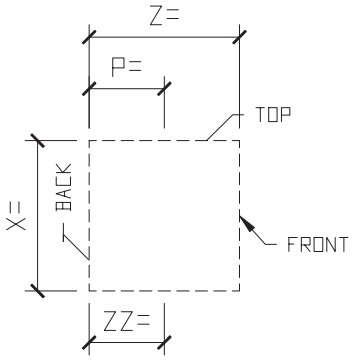
Unit ID#2916

GENERIC SURROUND DOOR GOTHIC



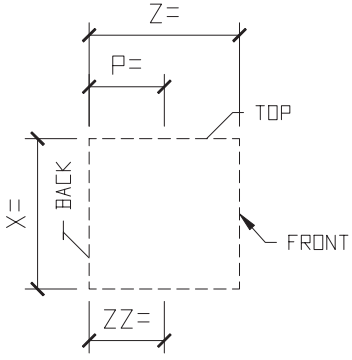
SURROUND PROFILE:

? _____



OTHER PROFILE:

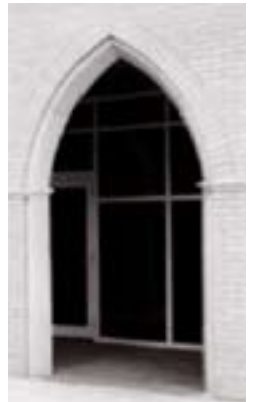
? _____



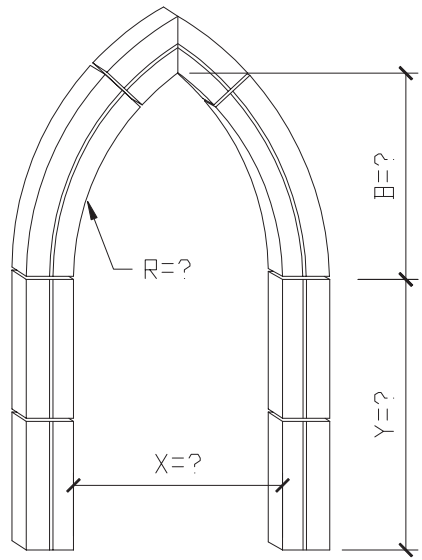
OTHER PROFILE:

? _____

STANDARD COLOR CHOICE:
TAN \ WHITE \ BUFF



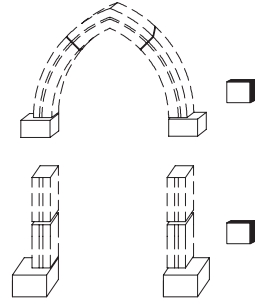
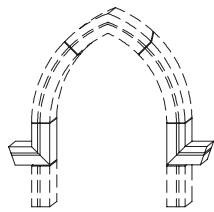
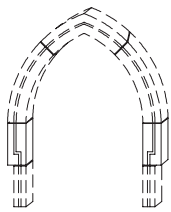
EXAMPLE PHOTO OF SURROUND



QTY: ? _____

ISOMETRIC VIEW SURROUND DOOR SQUARE TOP

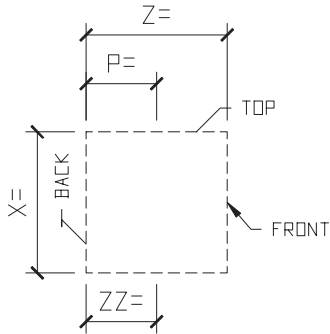
ADDITIONAL MODIFIERS



Please print clearly

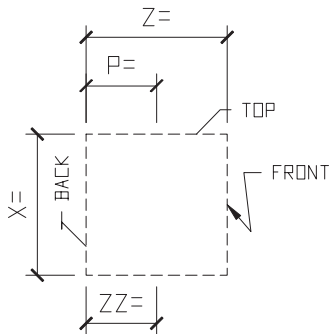
Unit ID: _____

GENERIC SURROUND DOOR PALLADIUM



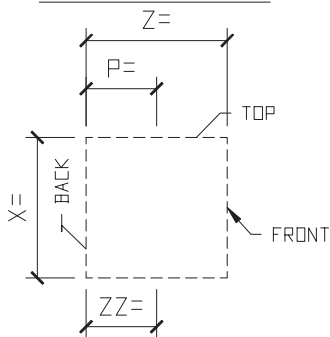
SURROUND PROFILE:

?



KEYSTONE PROFILE:

?



SILL PROFILE:

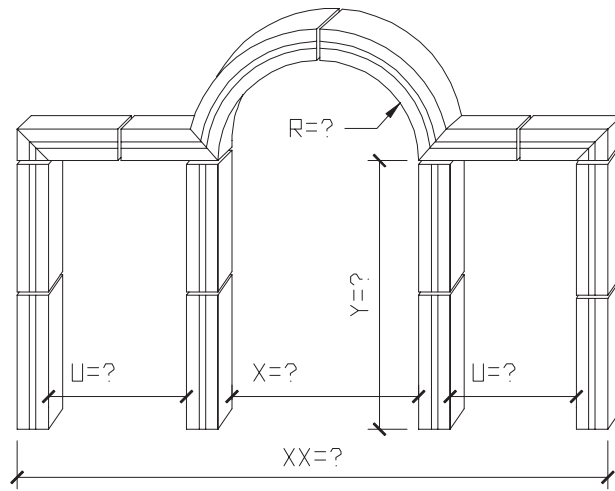
?

STANDARD COLOR CHOICE:

TAN \ WHITE \ BUFF



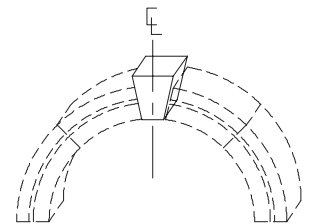
EXAMPLE PHOTO OF SURROUND



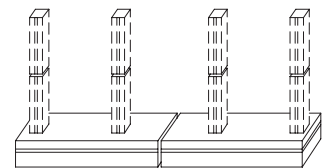
ISOMETRIC VIEW
SURROUND DOOR PALLADIUM

QTY: ?

TYPICAL MODIFIERS



MODIFIERS: KEYSTONE

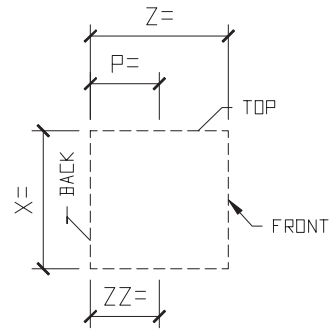


MODIFIER: SILL

Please print clearly

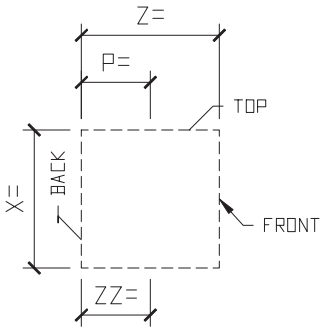
Unit ID: 2912

GENERIC SURROUND DOOR PALLADIUM



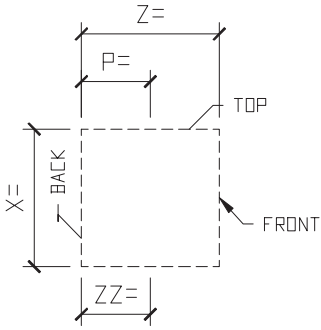
SURROUND PROFILE:

?



KEYSTONE PROFILE:

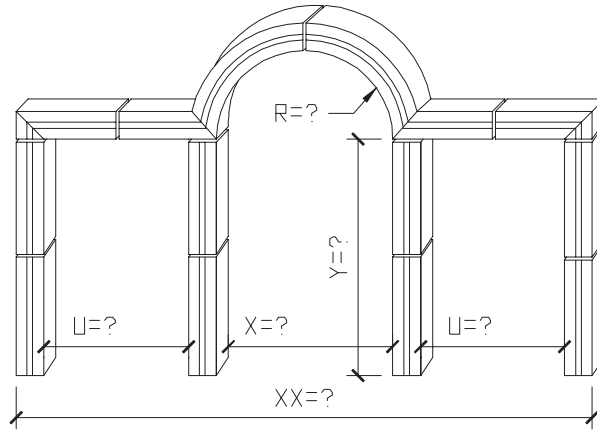
?



SILL PROFILE:

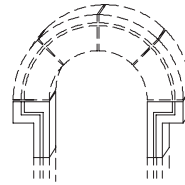
?

STANDARD COLOR CHOICE:
TAN \ WHITE \ BUFF

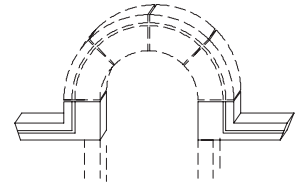


EXAMPLE PHOTO
OF SURROUND PALLADIUM
PALLADIUM CIRCLE TOP

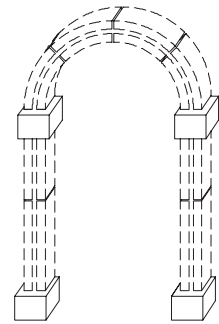
TYPICAL MODIFIERS



MODIFIERS: EAR



MODIFIERS: WINGS



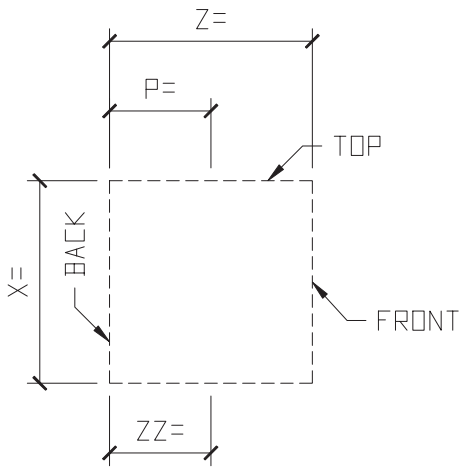
MODIFIER: PLINITH

QTY: 1 ISOMETRIC VIEW
PALLADIUM

Please print clearly

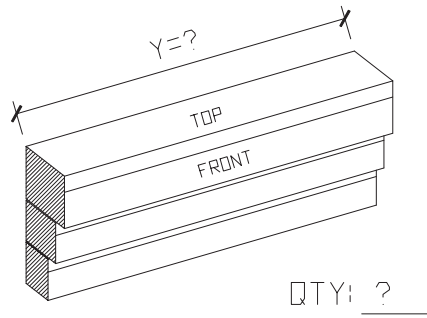
Unit ID: 7716

GENERIC ENTABLATURE

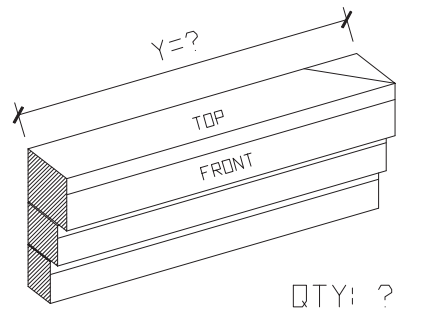


EXAMPLE PHOTO OF ENTABLATURE

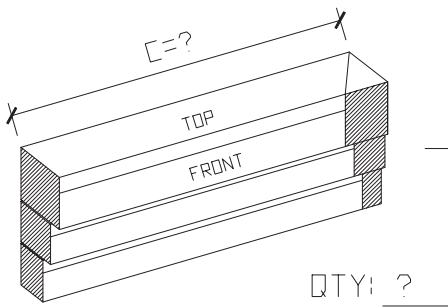
CHOOSE PROFILE:
? _____



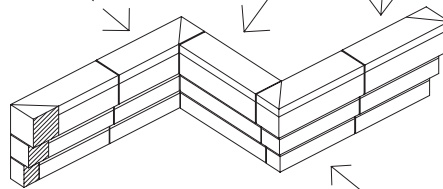
① ISOMETRIC VIEW
STRAIGHT



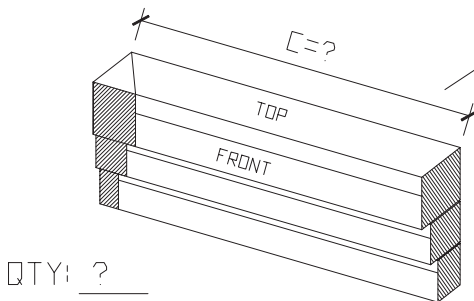
④ ISOMETRIC VIEW
STRAIGHT



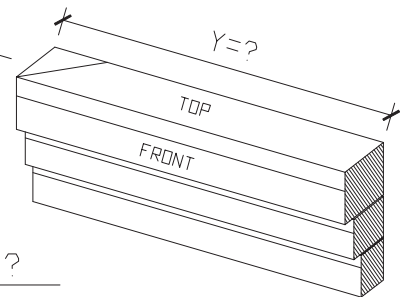
② ISOMETRIC VIEW
COPE INSIDE RIGHT



⑥ ISOMETRIC VIEW
ENTABLATURE



③ ISOMETRIC VIEW
COPE INSIDE LEFT



⑤ ISOMETRIC VIEW
COPE INSIDE LEFT

STANDARD COLOR CHOICES:
TAN \ WHITE \ BUFF

CUT TO FIT LENGTHS ARE
SUPPLIED IN 36" PIECES

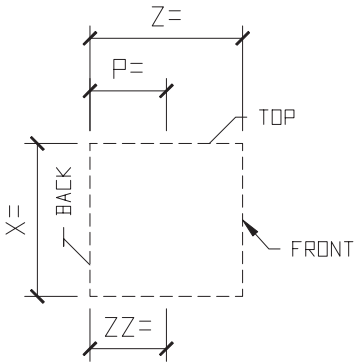
Please print clearly

Unit ID#7706

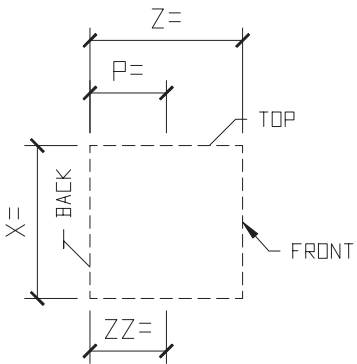
GENERIC ENTABLATURE



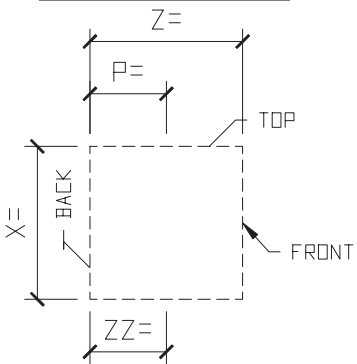
EXAMPLE PHOTO OF ENTABLATURE



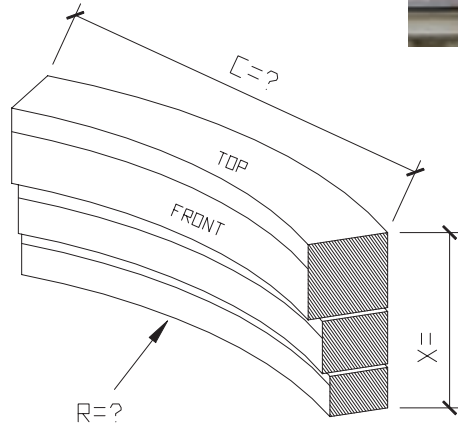
NO. 3 PROFILE:
?



NO. 2 PROFILE:
?

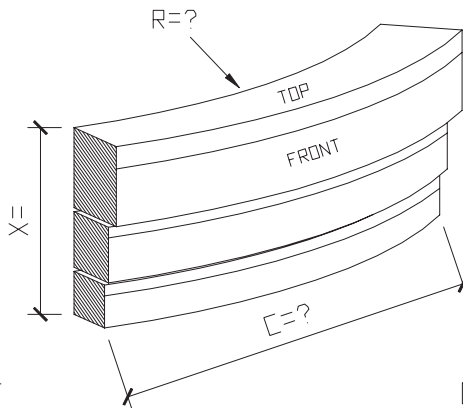


NO. 1 PROFILE:
?



① ISOMETRIC VIEW
COPE INSIDE RADIUS

QTY: ?



QTY: ?

② ISOMETRIC VIEW
COPE OUTSIDE RADIUS

TOTAL
LINEAR FEET=?

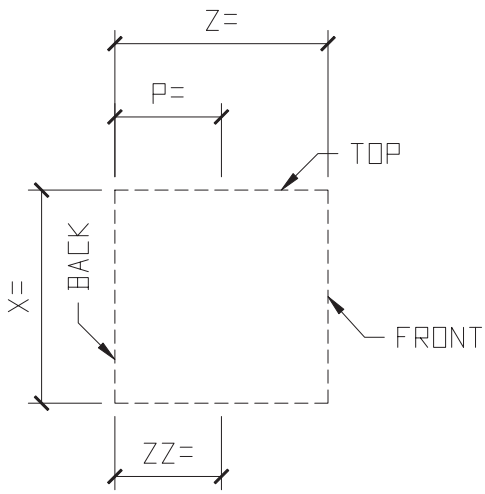
STANDARD COLOR CHOICES:
TAN \ WHITE \ BUFF

CUT TO FIT LENGTHS ARE
SUPPLIED IN 36" PIECES

Please print clearly

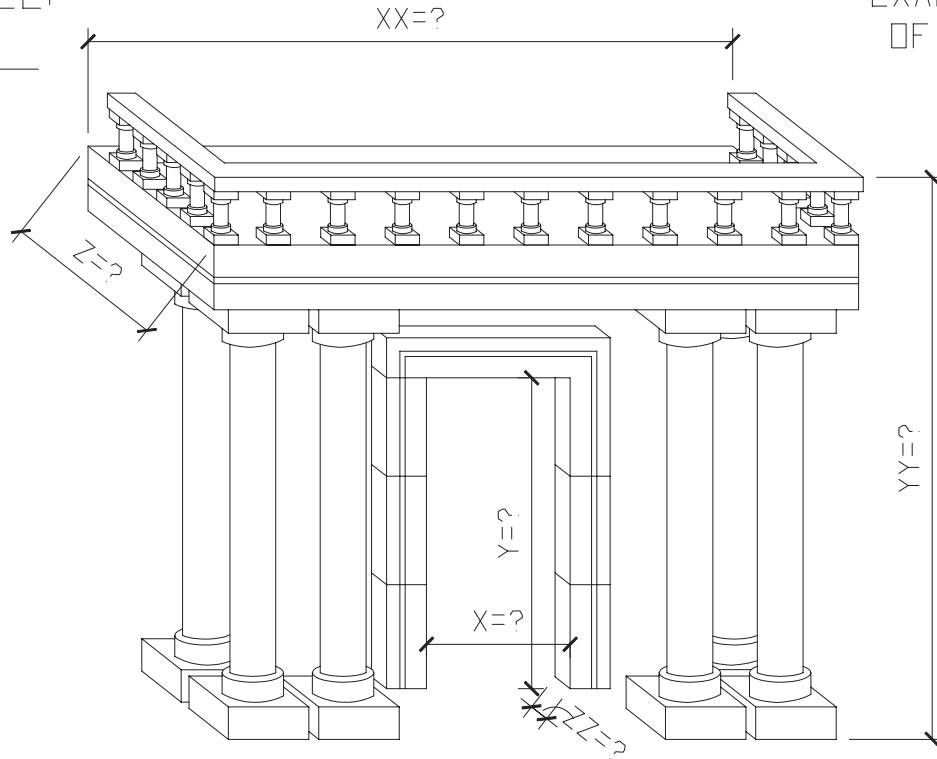
Unit ID: 17705

GENERIC ENTRIES



EXAMPLE PHOTO OF AN ENTRY

CHOOSE PROFILE:
?



QTY: ?

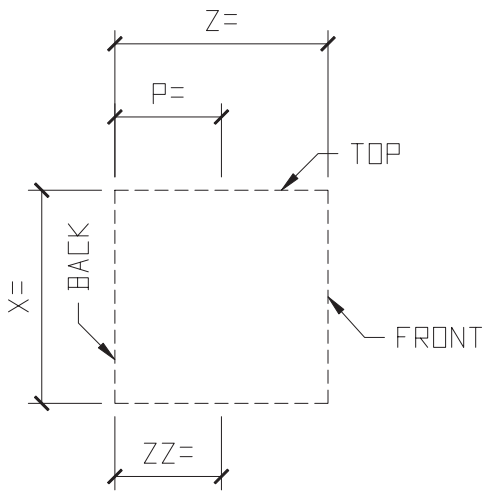
STANDARD COLOR CHOICE:
TAN \ WHITE \ BUFF

① ISOMETRIC VIEW
ENTRY

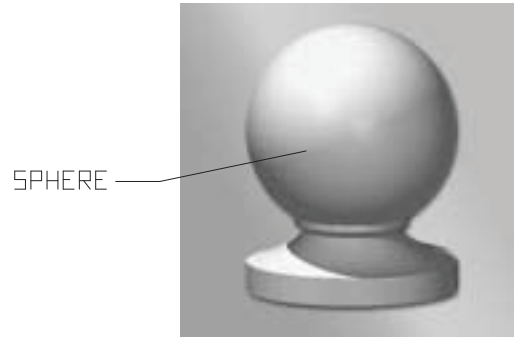
Please print clear

Unit ID: 7700

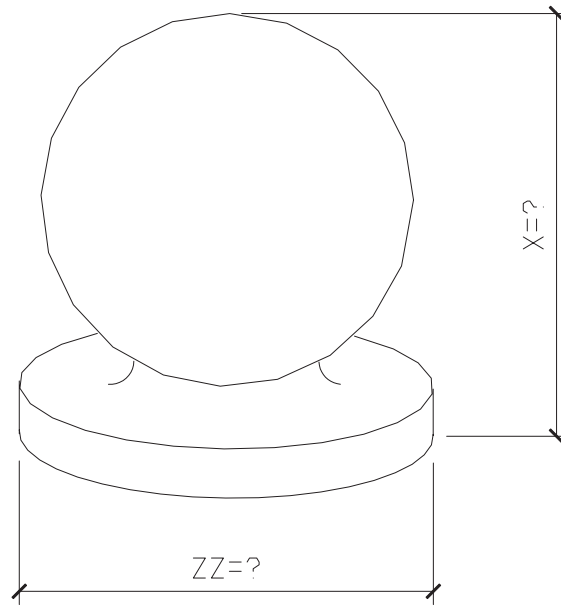
GENERIC FINIAL



CHOOSE PROFILE:
?



EXAMPLE PHOTO
OF FINIAL



QTY: ?

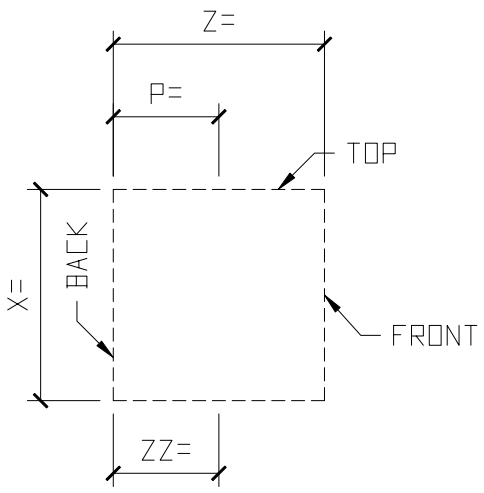
① ISOMETRIC VIEW
FINIAL

STANDARD COLOR CHOICE:
TAN \ WHITE \ BUFF

Please print clearly

Unit ID: 7685

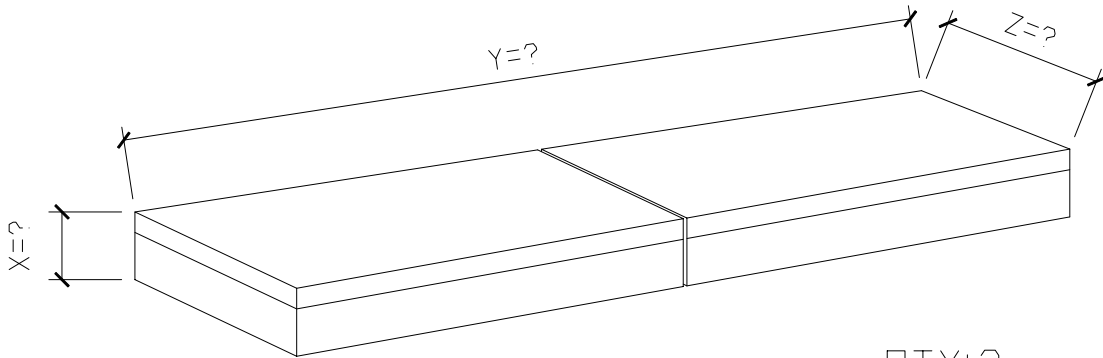
GENERIC HEARTH



EXAMPLE PHOTO
OF A HEARTH

CHOOSE PROFILE:

?



QTY: ? _____

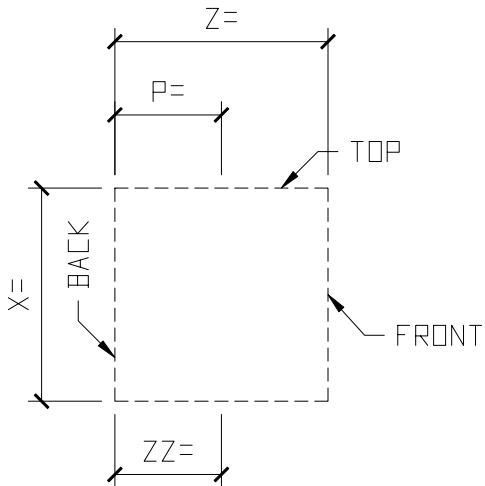
① ISOMETRIC VIEW
HEARTH _____

STANDARD COLOR CHOICE:
TAN \ WHITE \ BUFF

Please print clearly

Unit ID: 7708

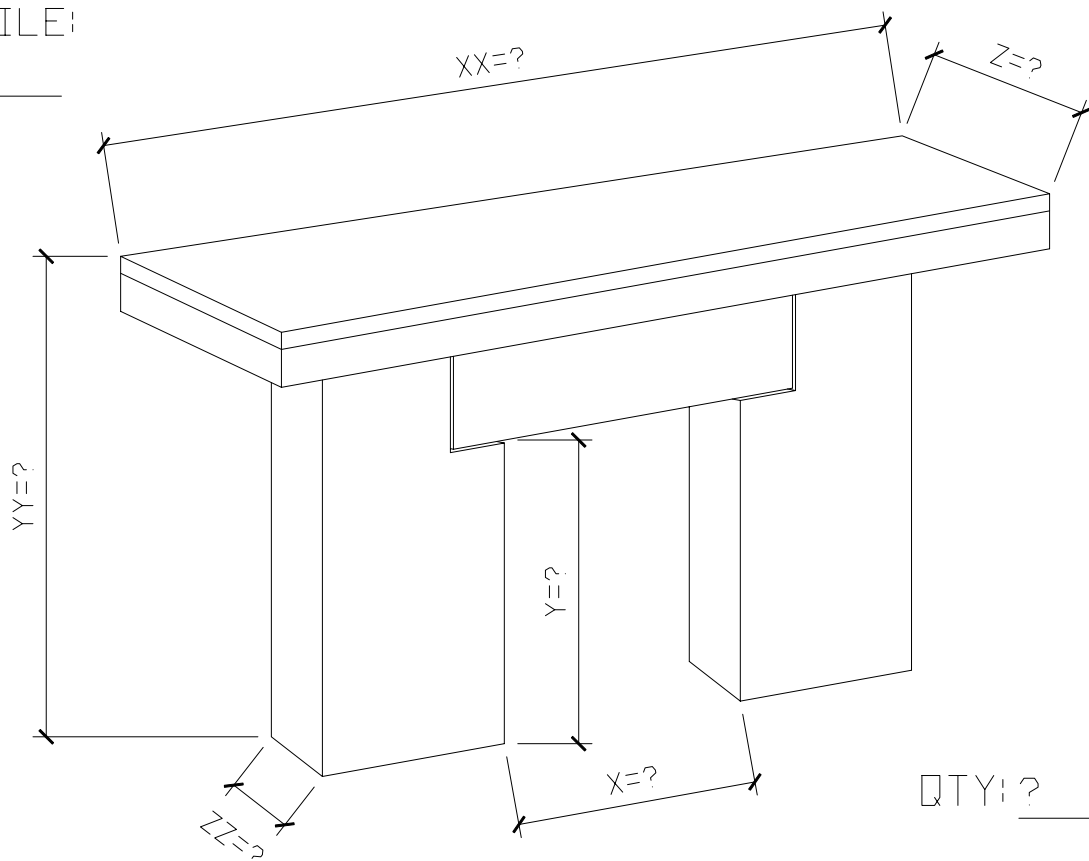
GENERIC FIREPLACE



EXAMPLE PHOTO OF FIREPLACE

CHOOSE PROFILE:

? _____



QTY: ? _____

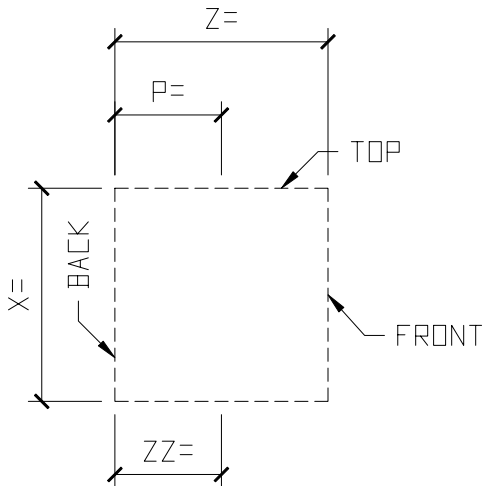
① ISOMETRIC VIEW
FIREPLACE LOWER MANTLE

STANDARD COLOR CHOICE:
TAN \ WHITE \ BUFF

Please print clear.

Unit ID: 7694

GENERIC FIREPLACE UPPER MANTEL

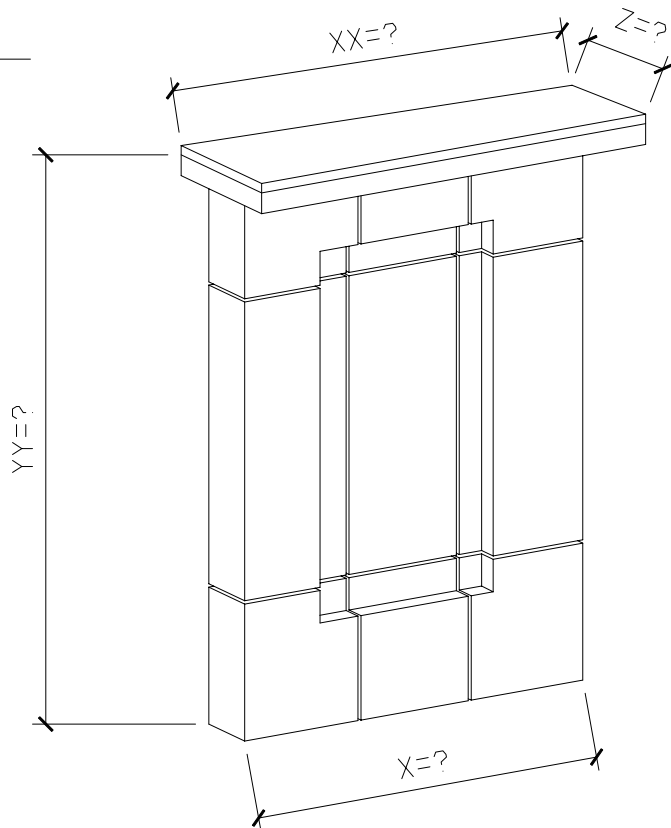


CHOOSE PROFILE:

?



EXAMPLE PHOTO OF A FIREPLACE UPPER MANTEL



QTY: ? _____

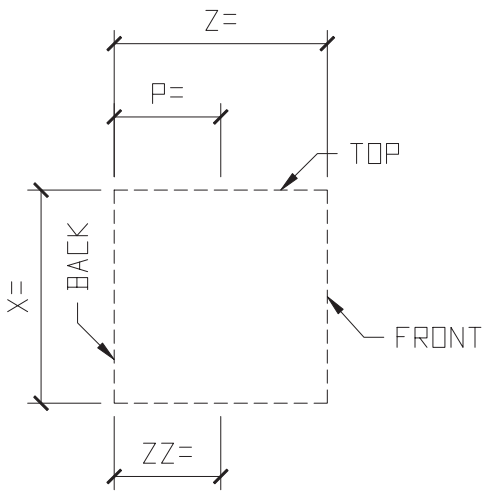
STANDARD COLOR CHOICE:
TAN \ WHITE \ BUFF

① ISOMETRIC VIEW
FIREPLACE UPPER MANTEL

Please print clear.

Unit ID: 7707

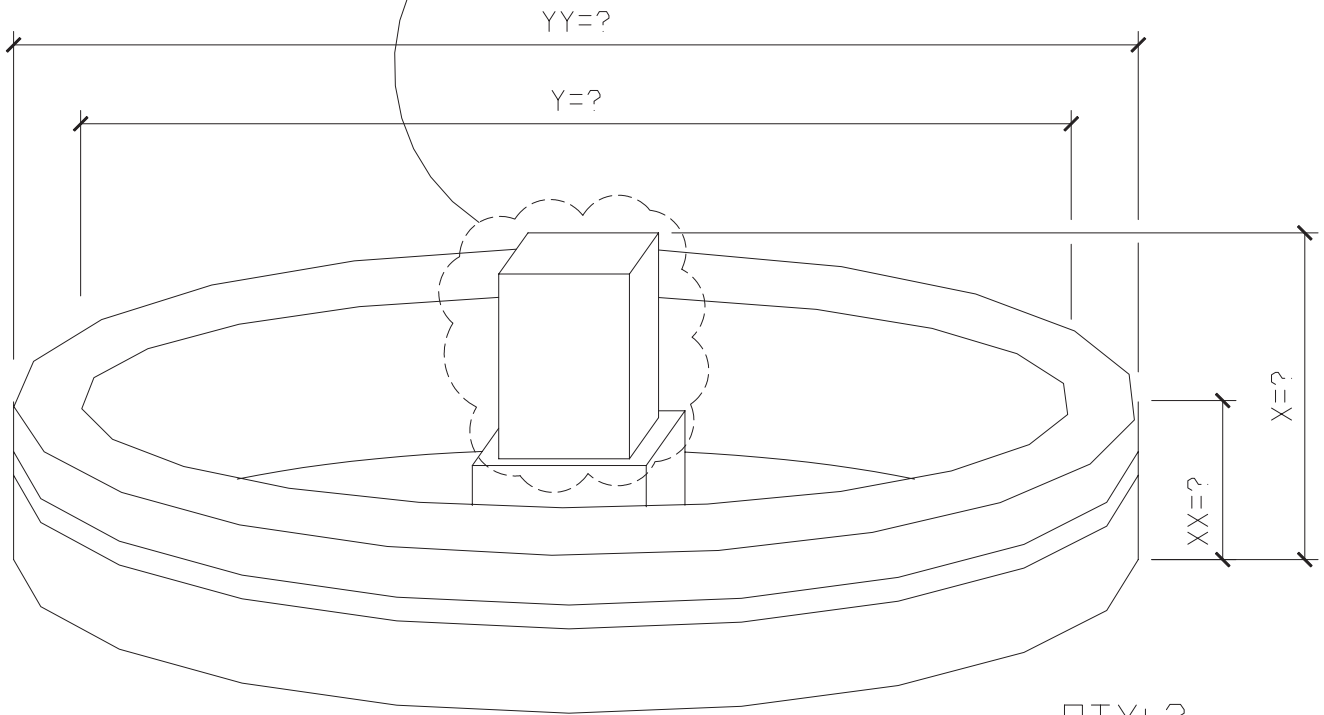
GENERIC FOUNTAIN



EXAMPLE PHOTO OF A FOUNTAIN

MUST PROVIDE A PHOTO OR OTHER VISUAL AID TO COMPLETE

CHOOSE PROFILE:
? _____



QTY: ? _____

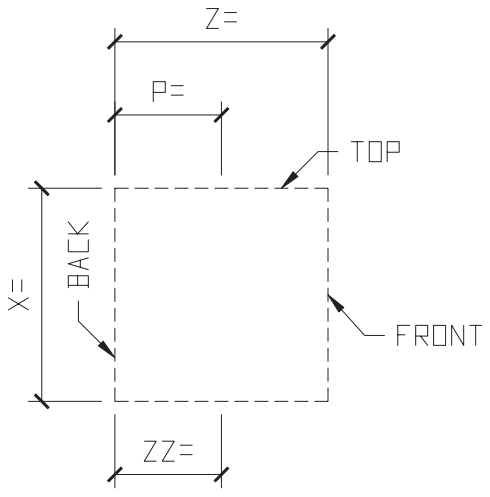
① ISOMETRIC VIEW
FOUNTAIN CIRCULAR _____

STANDARD COLOR CHOICE:
TAN \ WHITE \ BUFF

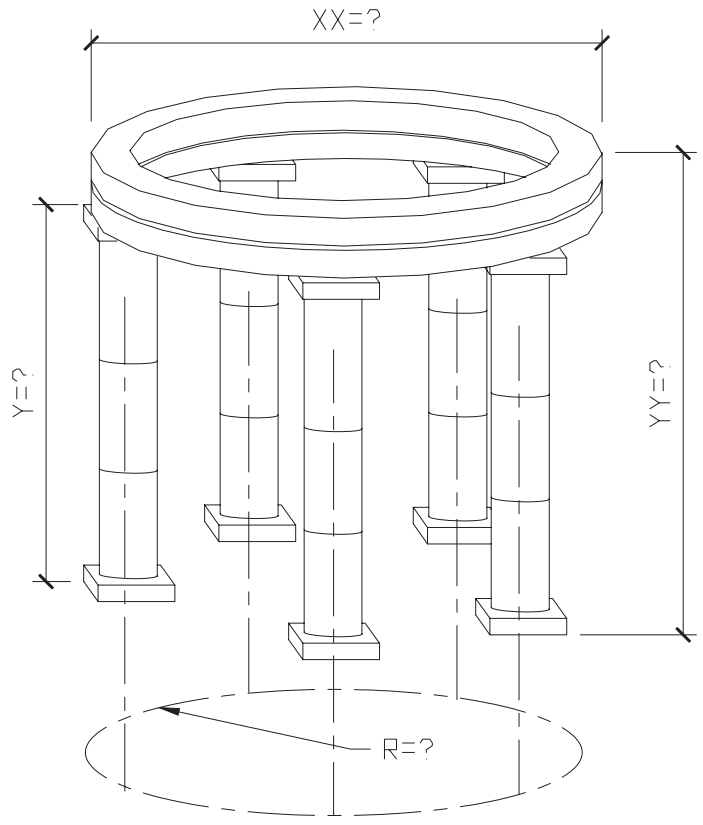
Please print clearly

Unit ID: 17696

GENERIC GAZEBO



CHOOSE PROFILE:
?



EXAMPLE PHOTO
OF A GAZEBO

QTY: ? _____

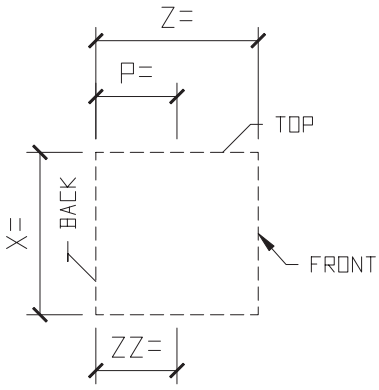
① ISOMETRIC VIEW
GAZEBO _____

STANDARD COLOR CHOICES:
TAN \ WHITE \ BUFF

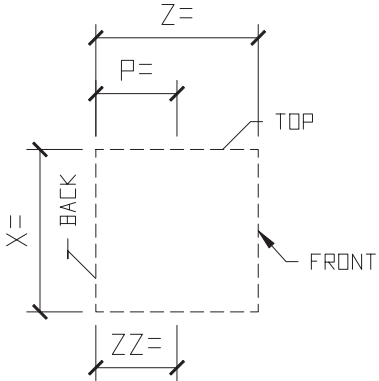
Please print clearly

Unit ID: 17692

GENERIC SURROUND DOOR JACKARCH



SURROUND PROFILE: ?



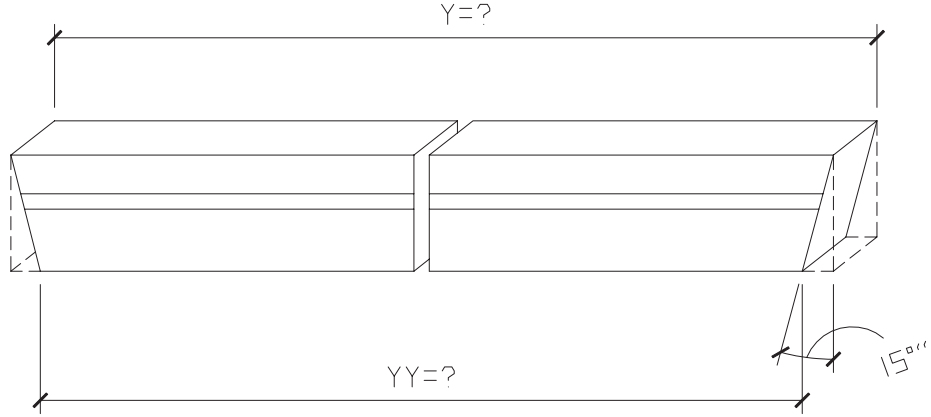
KEYSTONE PROFILE: ?



FLATFACE

CHAMFERED

EXAMPLE PHOTO OF JACK ARCH

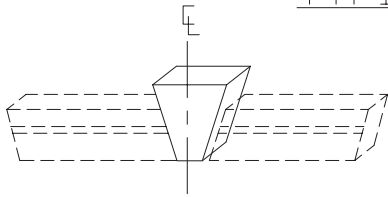


ISOMETRIC VIEW

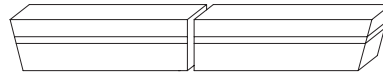
JACKARCH SQUARE TOP

QTY: ?

TYPICAL MODIFIERS



MODIFIERS: KEYSTONE



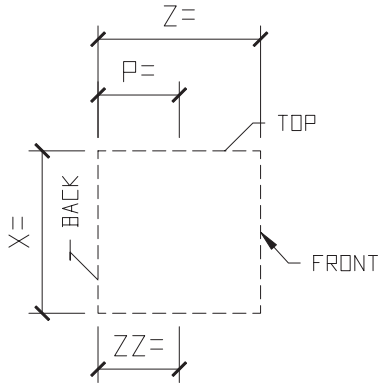
MODIFIERS: COPED

STANDARD COLOR CHOICE:
TAN \ WHITE \ BUFF

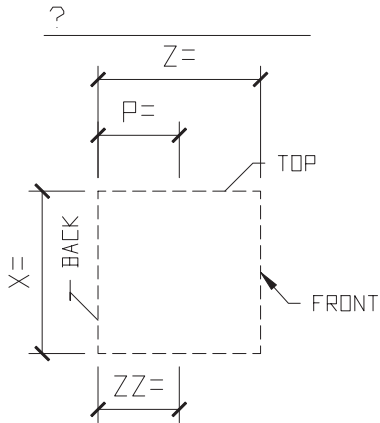
Please print clearly

Unit ID: 2881

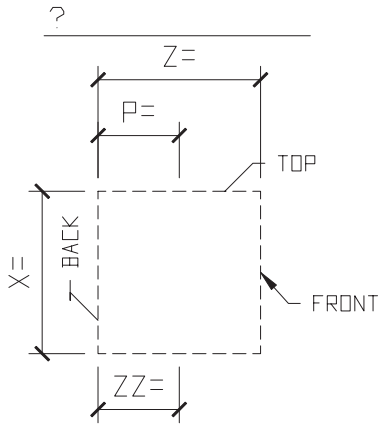
GENERIC JACKARCH CIRCLE TOP



SURROUND PROFILE:



KEYSTONE PROFILE:



PLINITH PROFILE:

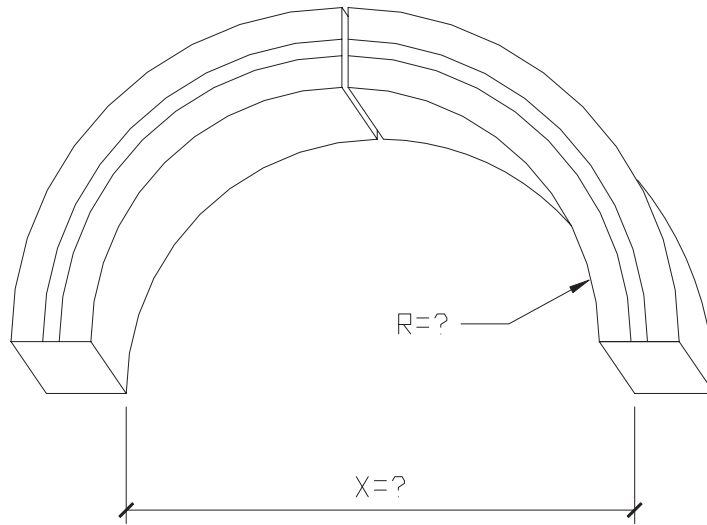


STANDARD COLOR CHOICE:

TAN \ WHITE \ BUFF



EXAMPLE PHOTO
OF JACKARCH



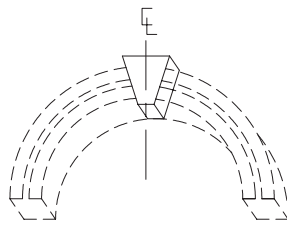
QTY: ?



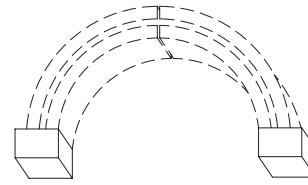
ISOMETRIC VIEW

JACKARCH CIRCLE TOP

TYPICAL MODIFIERS



MODIFIERS: KEYSTONE



MODIFIER: PLINTH

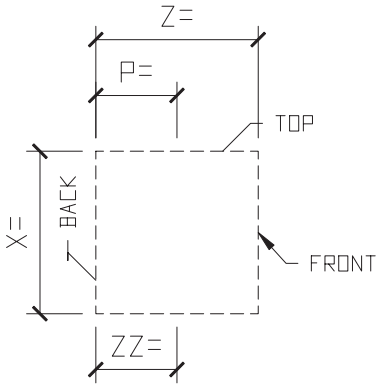
Please print clear.

Unit ID: 2882

GENERIC JACKARCH EYEBROW

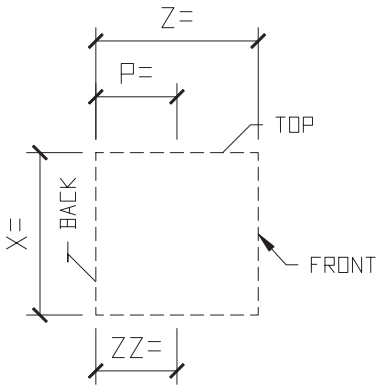


EXAMPLE PHOTO OF JACK ARCH



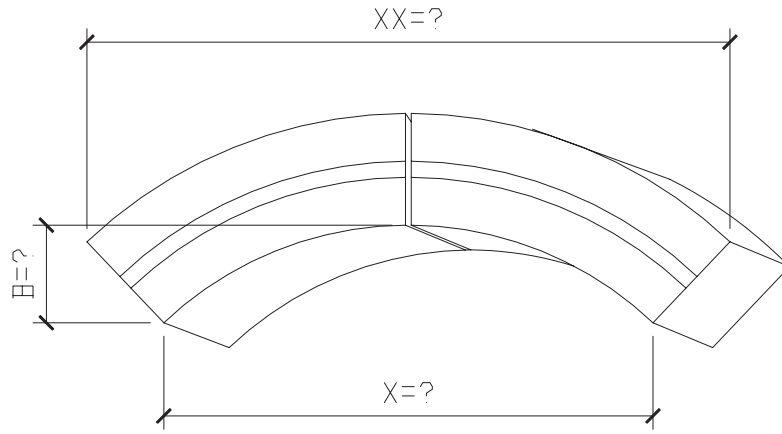
SURROUND PROFILE:

? _____



KEYSTONE PROFILE:

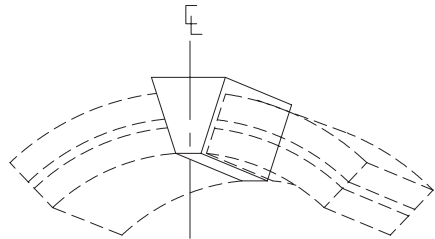
? _____



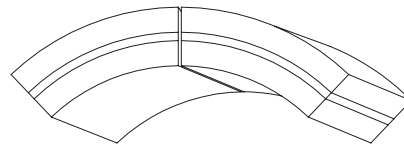
QTY: ? _____

1 ISOMETRIC VIEW
JACKARCH EYEBROW

TYPICAL MODIFIERS



MODIFIERS: KEYSTONE



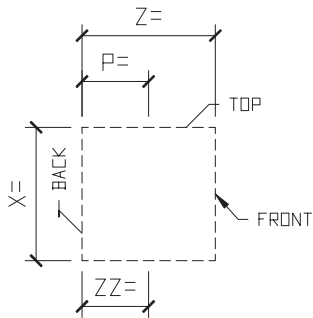
MODIFIER: COPE

STANDARD COLOR CHOICE:

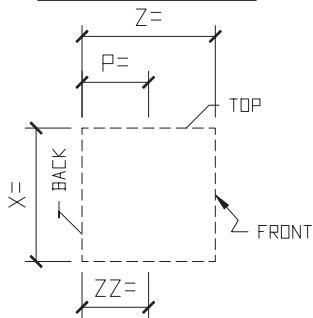
TAN \ WHITE \ BUFF

Please print clear.

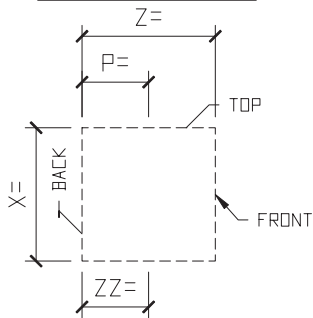
Unit ID: 2883



SURROUND PROFILE:
?



KEYSTONE PROFILE:
?



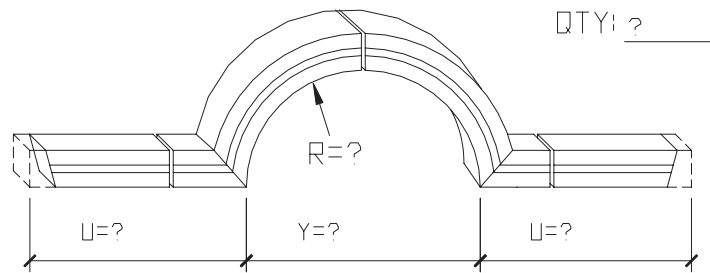
SILL PROFILE:
?

STANDARD COLOR CHOICE:
TAN \ WHITE \ BUFF

GENERIC JACKARCH PALLADIUM

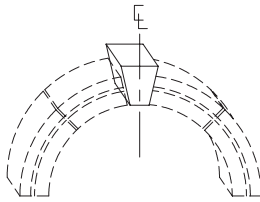


EXAMPLE PHOTO
OF JACKARCH

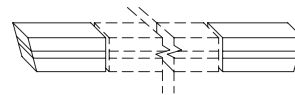


① GENERIC
JACK ARCH PALLADIUM

TYPICAL MODIFIERS



MODIFIERS: KEYSTONE

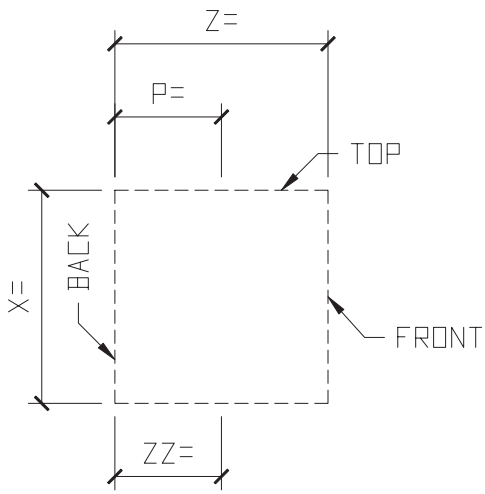


MODIFIERS: COPED

Please print clearly

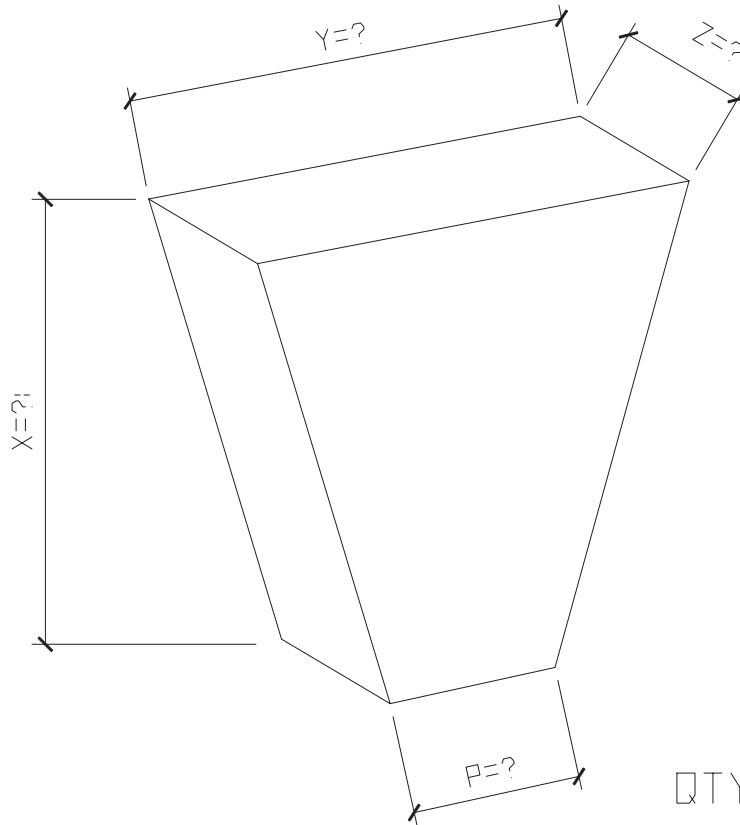
Unit ID: 7709

GENERIC KEYSTONE



EXAMPLE PHOTO OF KEYSTONE

CHOOSE PROFILE:
?



QTY: ?

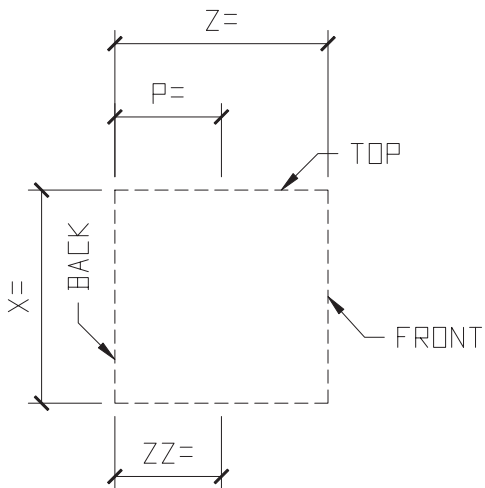
① ISOMETRIC VIEW
KEYSTONE

STANDARD COLOR CHOICES:
TAN \ WHITE \ BUFF

Please print clear

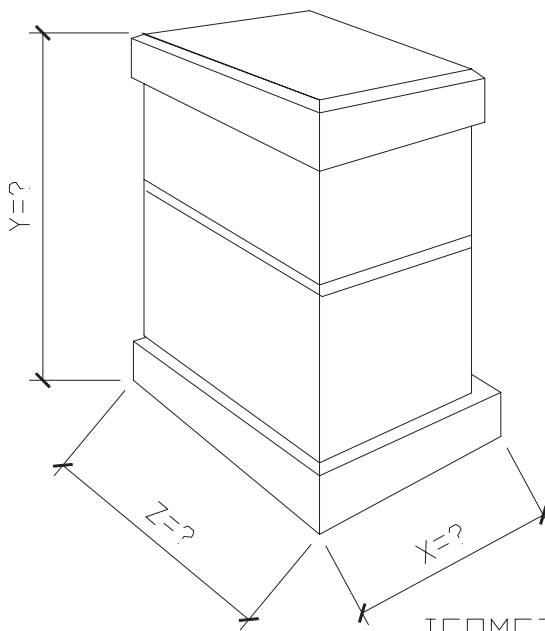
Unit ID: 17658

GENERIC MAILBOXES



CHOOSE PROFILE:

?



ISOMETRIC VIEW

1

MAILBOXES



EXAMPLE PHOTO OF
GENERIC MAILBOXES

QTY: ?

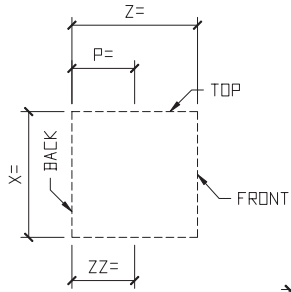
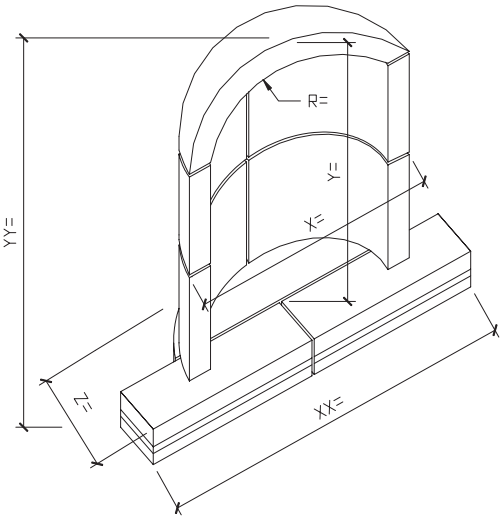
STANDARD COLOR CHOICE:

TAN \ WHITE \ BUFF

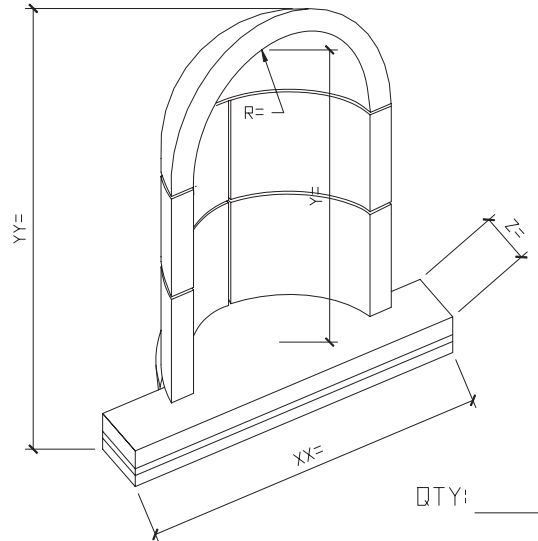
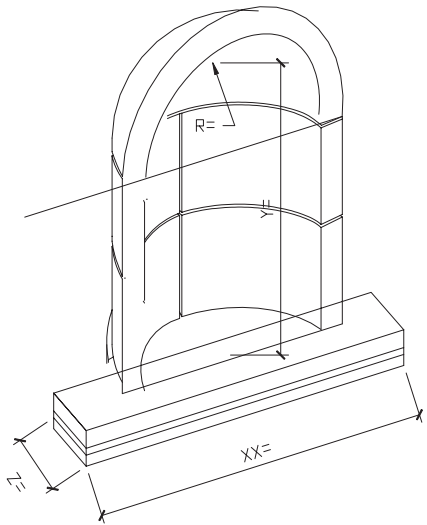
Please print clearly

Unit ID: 7690

GENERIC NICHE



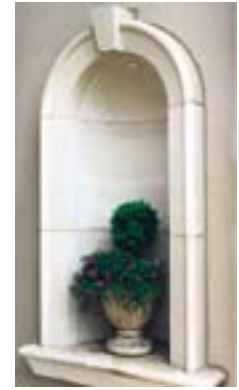
CHOOSE PROFILE:



QTY: _____

① ISOMETRIC VIEW
NICHE

STANDARD COLOR CHOICE:
TAN \ WHITE \ BUFF

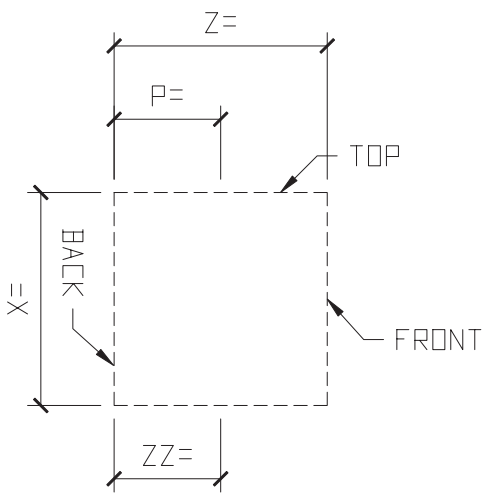


EXAMPLE PHOTO
OF A NICHE

Please print clearly

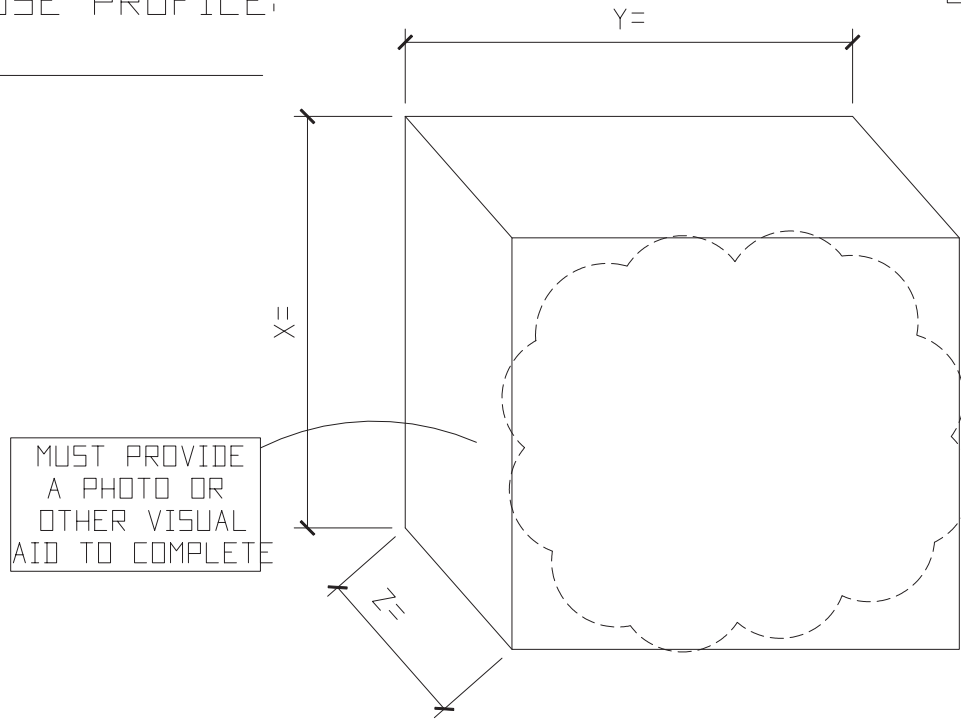
Unit ID17698

GENERIC ORNAMENT



EXAMPLE PHOTO OF AN ORNAMENT

CHOOSE PROFILE:



MUST PROVIDE A PHOTO OR OTHER VISUAL AID TO COMPLETE

QTY: _____

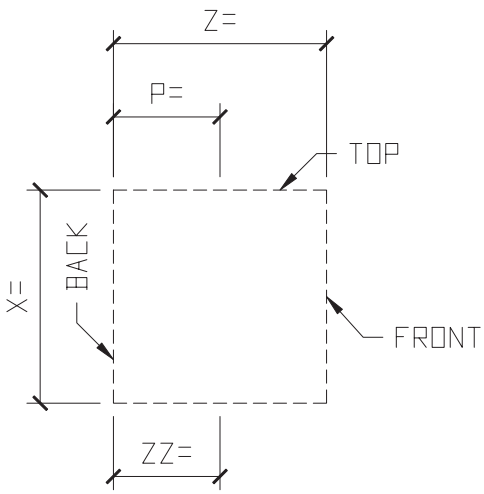
① ISOMETRIC VIEW
ORNAMENT _____

STANDARD COLOR CHOICE:
TAN \ WHITE \ BUFF

Please print clearly

Unit ID: 7689

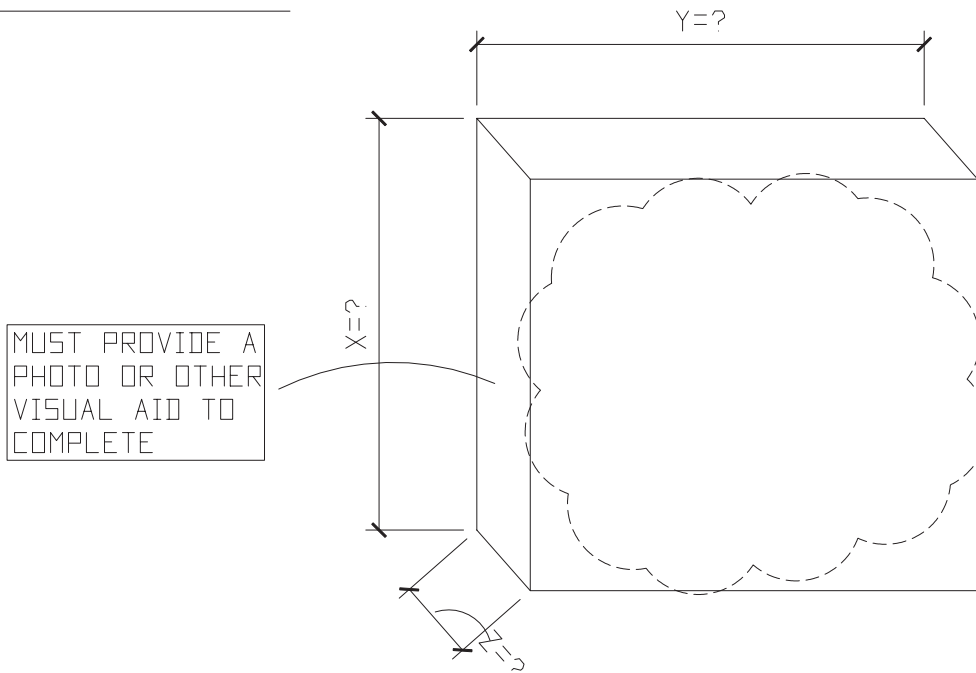
GENERIC VENEER PANEL



CHOOSE PROFILE:
? _____



EXAMPLE PHOTO OF VENEER PANELS



QTY: ? _____

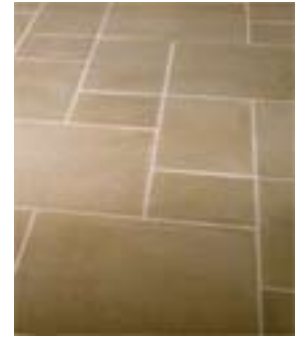
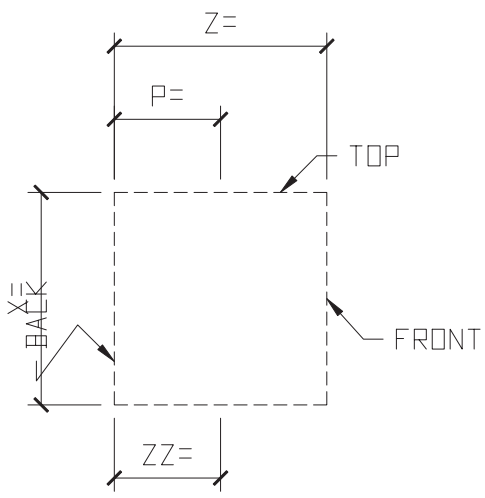
① ISOMETRIC VIEW
VENEER PANEL _____

STANDARD COLOR CHOICE:
TAN \ WHITE \ BUFF

Please print clearly

Unit ID: 7697

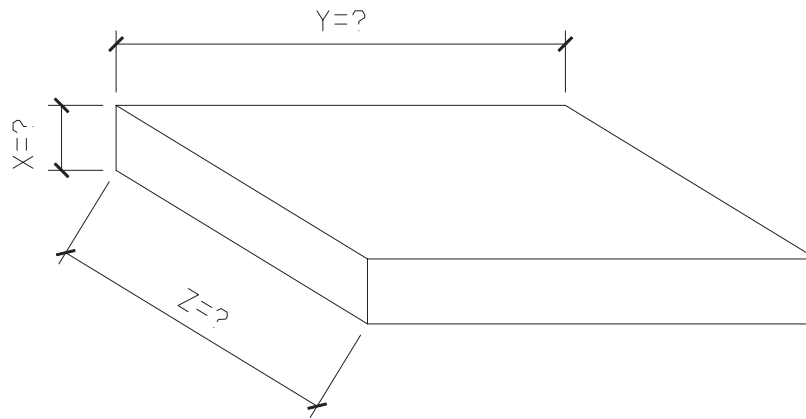
GENERIC PAVER



EXAMPLE PHOTO OF A PAVER

CHOOSE PROFILE:

? _____



QTY: ? _____

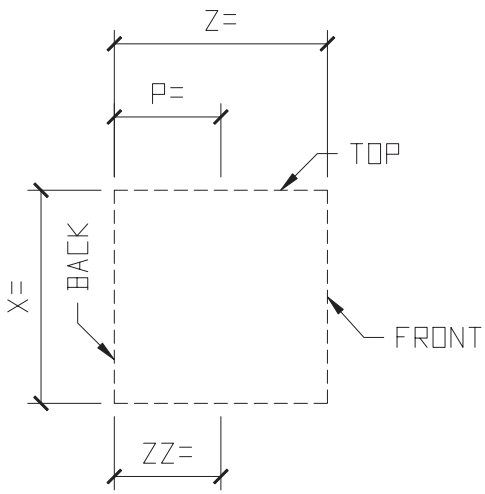
① ISOMETRIC VIEW
PAVER _____

STANDARD COLOR CHOICES:
TAN \ WHITE \ BUFF

Please print clearly

Unit ID#7662

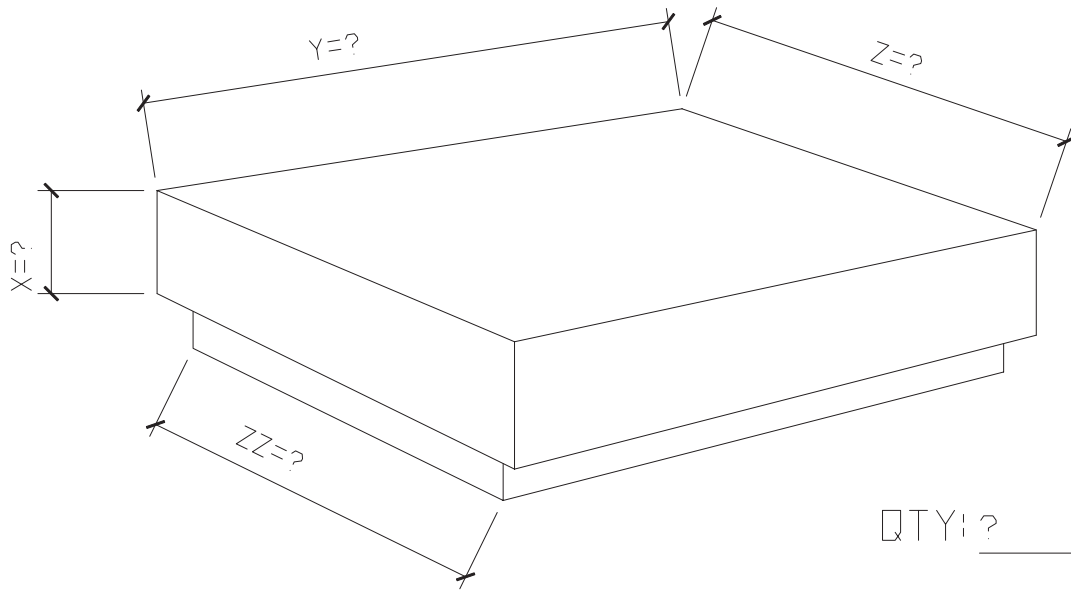
GENERIC PIER CAP



EXAMPLE PHOTO OF PIER CAP

CHOOSE PROFILE:

? _____



QTY: ? _____

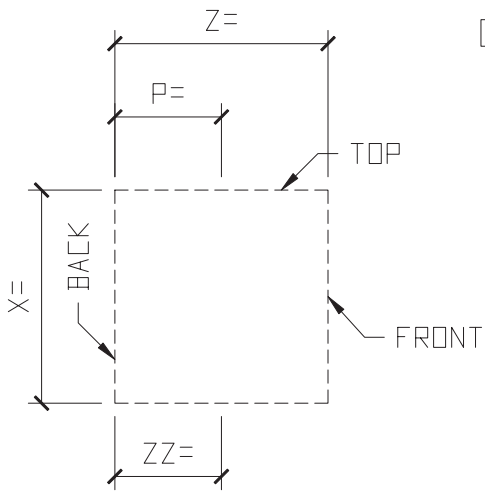
① ISOMETRIC VIEW
PIER CAP _____

STANDARD COLOR CHOICES:
TAN \ WHITE \ BUFF

Please print clearly

Unit ID: 7659

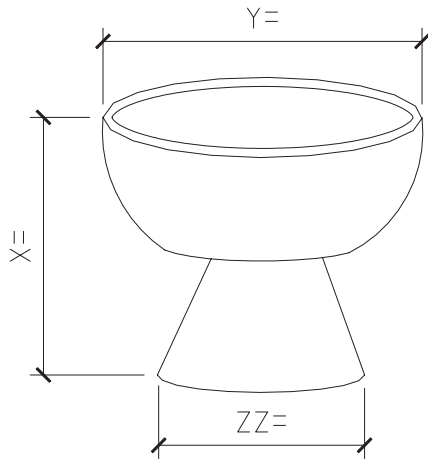
GENERIC PLANTERS & URNS



CHOOSE PROFILE:

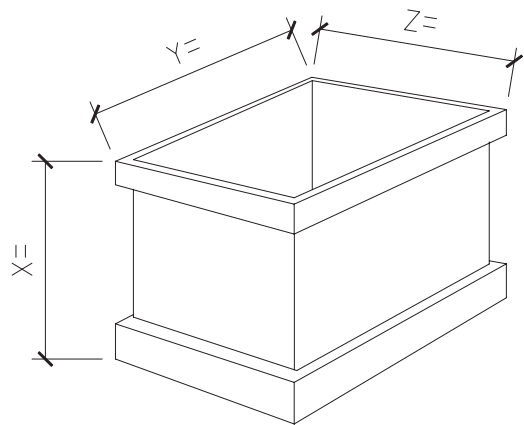


EXAMPLE PHOTO



QTY: _____

① ISOMETRIC VIEW
URN



QTY: _____

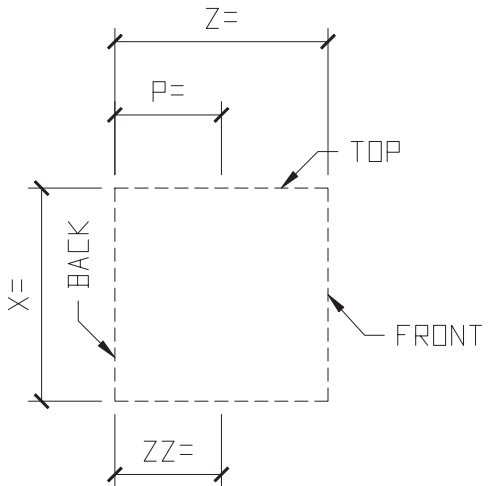
① ISOMETRIC VIEW
PLANTER

STANDARD COLOR CHOICE:
TAN \ WHITE \ BUFF

Please print clearly

Unit ID: 7688

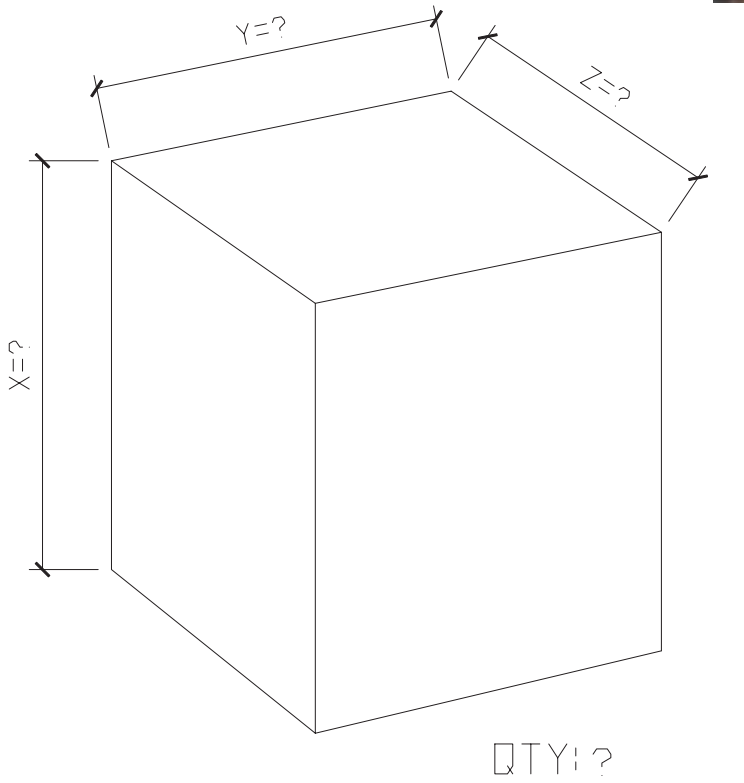
GENERIC PLINTH



CHOOSE PROFILE:
? _____



EXAMPLE PHOTO OF PLINTH



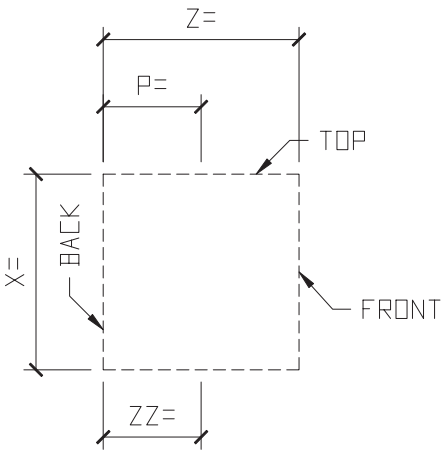
① ISOMETRIC VIEW
PLINTH _____

STANDARD COLOR CHOICES:
TAN \ WHITE \ BUFF

Please print clear

Unit ID: 7663

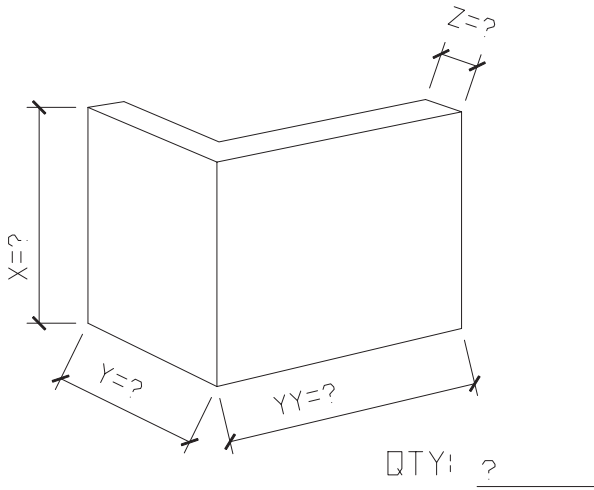
GENERIC QUOINS



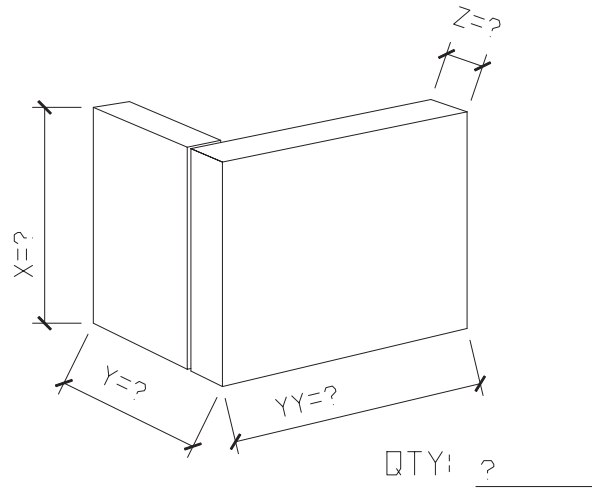
EXAMPLE PHOTO OF QUOINS

CHOOSE PROFILE:

? _____



① ISOMETRIC VIEW
QUOIN ONE PIECE _____



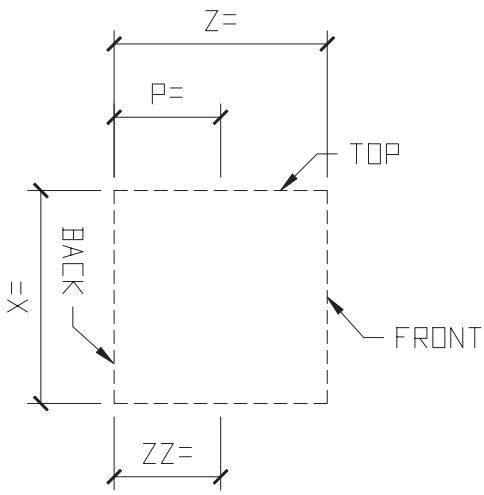
② ISOMETRIC VIEW
QUOIN TWO PIECE _____

STANDARD COLOR CHOICES:
TAN \ WHITE \ BUFF

Please print clearly

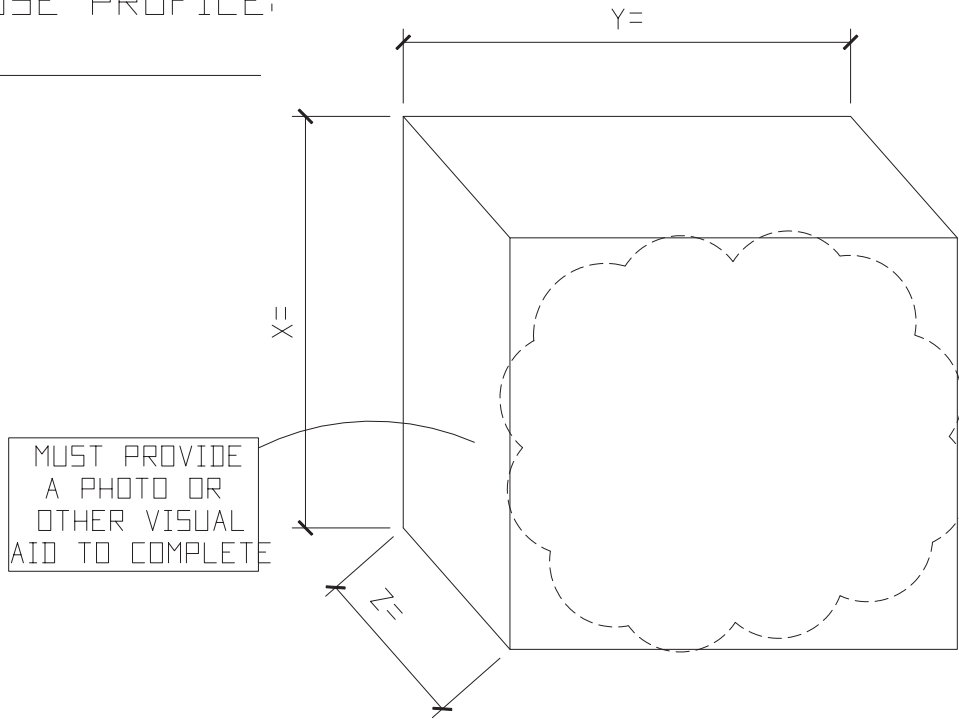
Unit ID: 7661

GENERIC SIGNAGE



EXAMPLE PHOTO

CHOOSE PROFILE:



QTY: _____

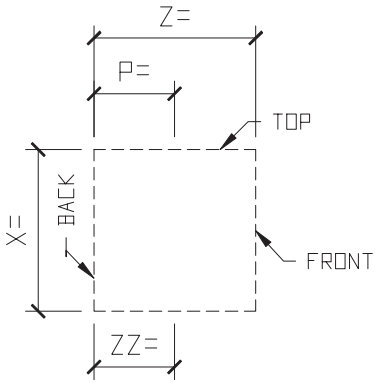
① ISOMETRIC VIEW
ORNAMENT

STANDARD COLOR CHOICE:
TAN \ WHITE \ BUFF

Please print clearly

Unit ID: 7689

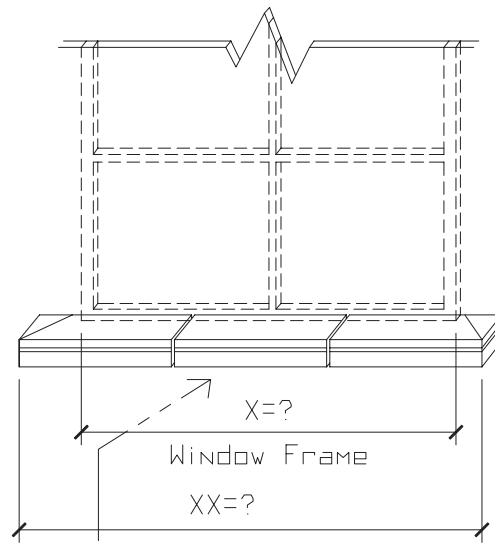
GENERIC SILLS



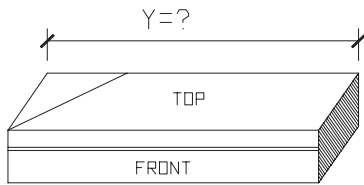
CHOOSE PROFILE:
 ?



EXAMPLE PHOTO OF SILLS



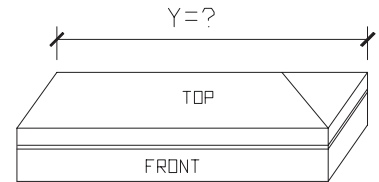
TOTAL LINEAR FEET? _____



QTY: ?

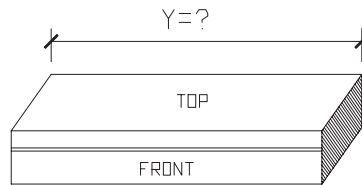
② ISOMETRIC VIEW
 COPE OUTSIDE LEFT

④ ISOMETRIC VIEW
 SILLS COPED



QTY: ?

③ ISOMETRIC VIEW
 COPE OUTSIDE RIGHT



QTY: ?

① ISOMETRIC VIEW
 STRAIGHT

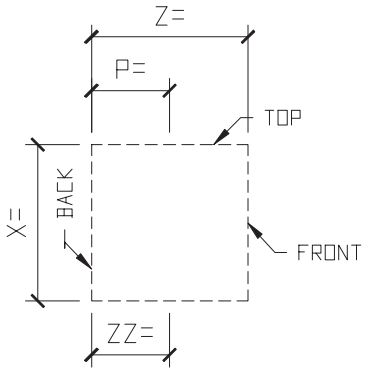
STANDARD COLOR CHOICE:
 TAN \ WHITE \ BUFF

CUT TO FIT LENGTHS ARE
 SUPPLIED IN 36" PIECES

Please print clearly

Unit ID17664

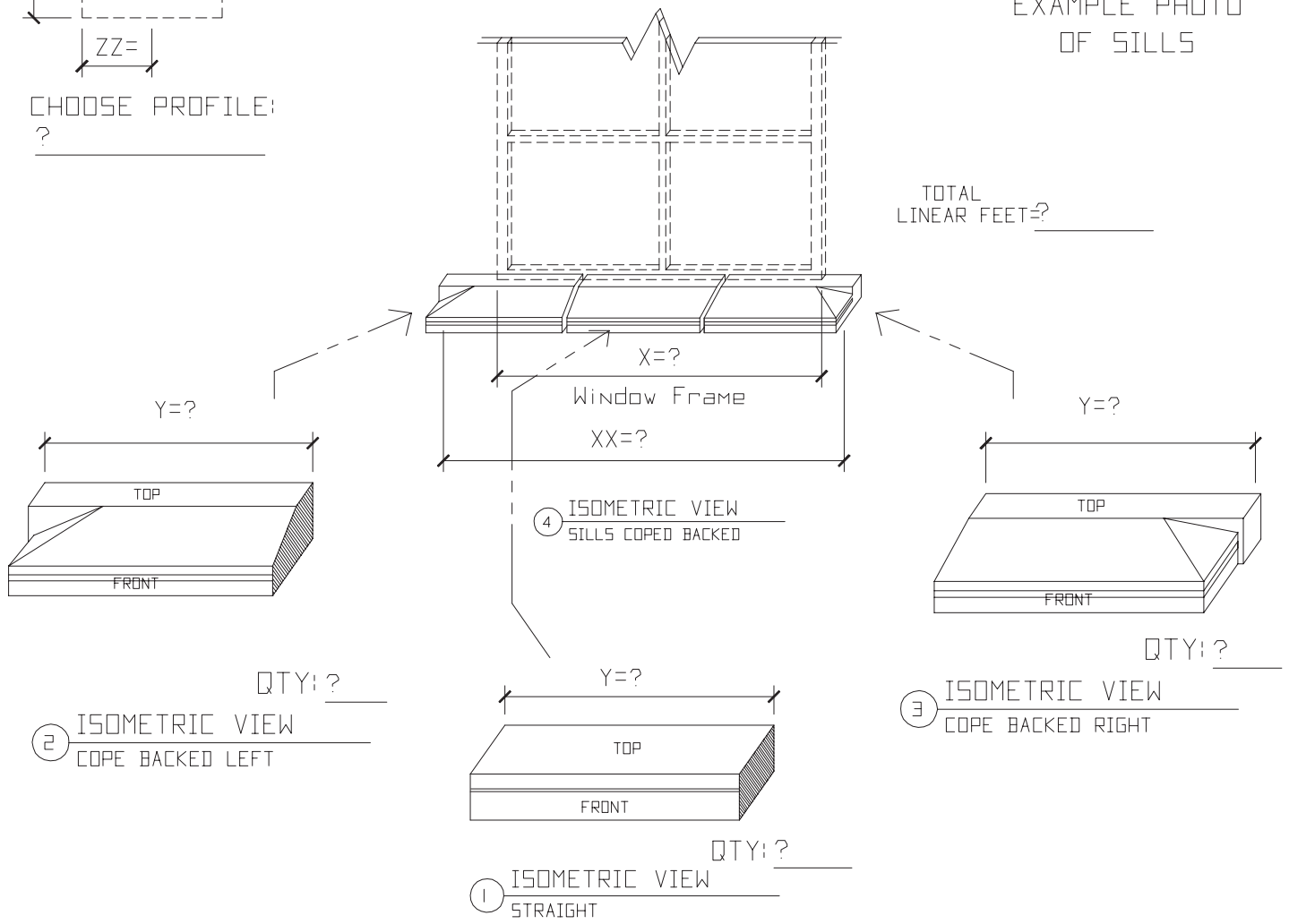
GENERIC SILLS



CHOOSE PROFILE:
? _____



EXAMPLE PHOTO OF SILLS



TOTAL LINEAR FEET=? _____

QTY: ? _____
③ ISOMETRIC VIEW
COPE BACKED RIGHT

QTY: ? _____
② ISOMETRIC VIEW
COPE BACKED LEFT

QTY: ? _____
① ISOMETRIC VIEW
STRAIGHT

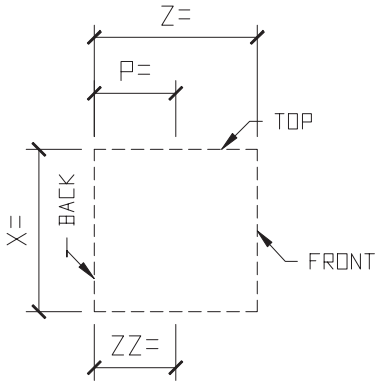
STANDARD COLOR CHOICE:
TAN \ WHITE \ BUFF

CUT TO FIT LENGTHS ARE
SUPPLIED IN 36" PIECES

Please print clearly

Unit ID: 7718

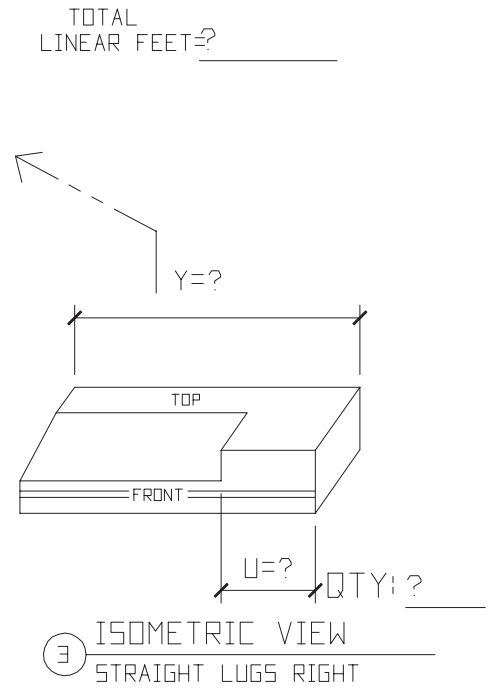
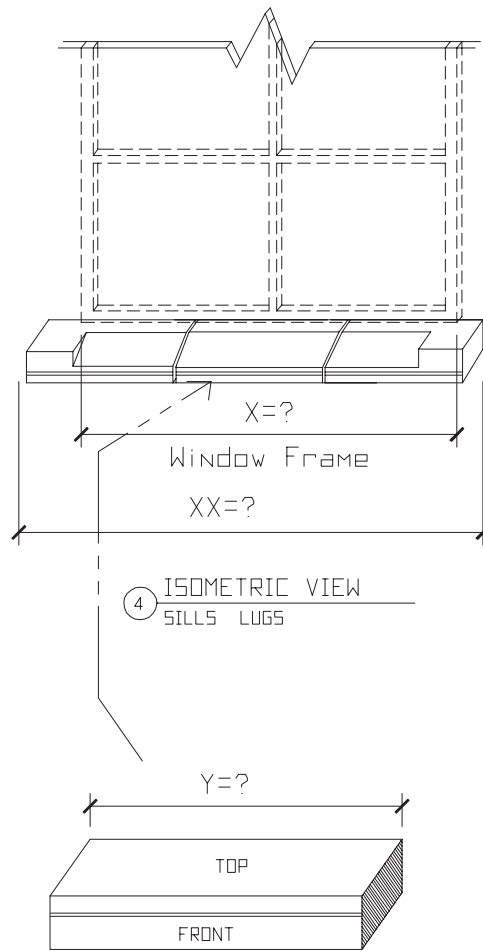
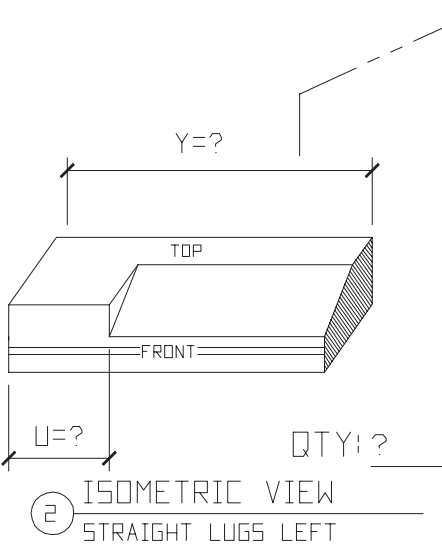
GENERIC SILLS



CHOOSE PROFILE:
? _____



EXAMPLE PHOTO OF SILLS



TOTAL LINEAR FEET=? _____



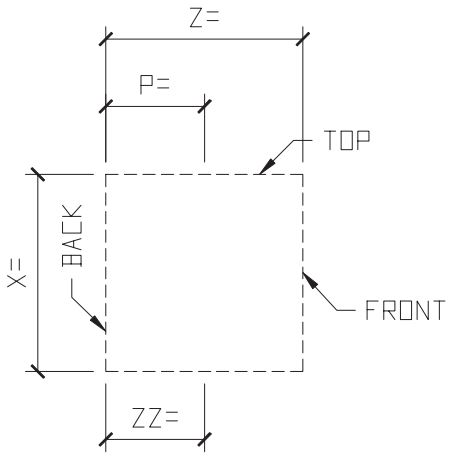
STANDARD COLOR CHOICE:
TAN \ WHITE \ BUFF

CUT TO FIT LENGTHS ARE SUPPLIED IN 36" PIECES

Please print clearly

Unit ID: 7719

GENERIC SILL

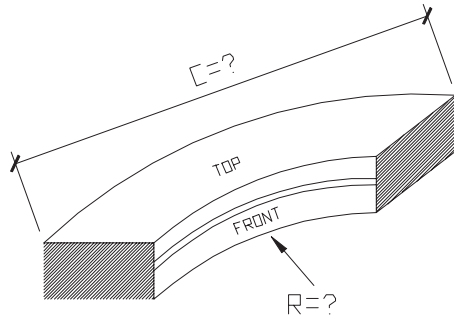


CHOOSE PROFILE:

? _____

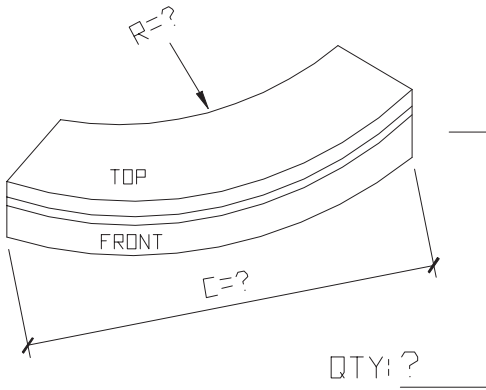


EXAMPLE PHOTO OF SILLS



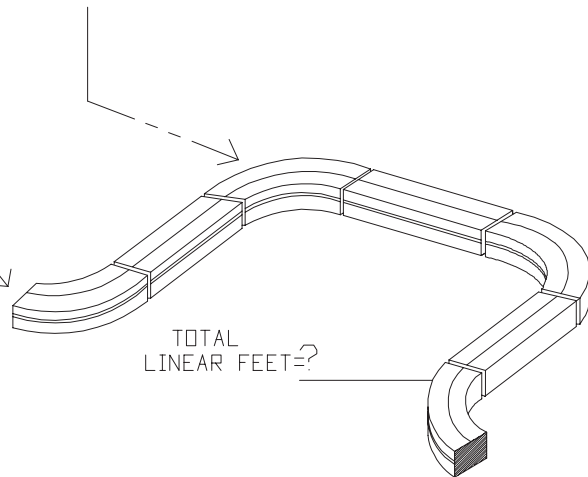
QTY: ? _____

① ISOMETRIC VIEW
COPE INSIDE RADIUS



QTY: ? _____

② ISOMETRIC VIEW
COPE OUTSIDE RADIUS



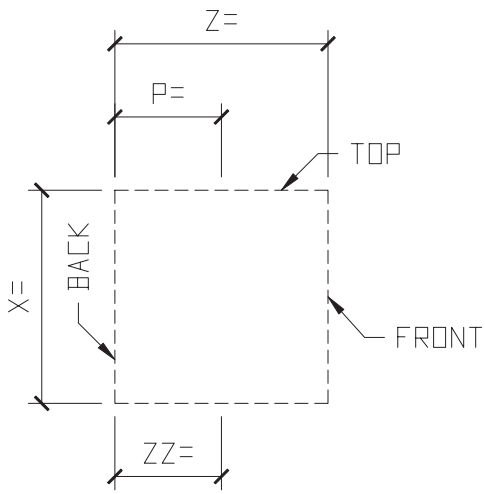
① ISOMETRIC VIEW
SILL

STANDARD COLOR CHOICES:
TAN \ WHITE \ BUFF

Please print clearly

Unit ID17720

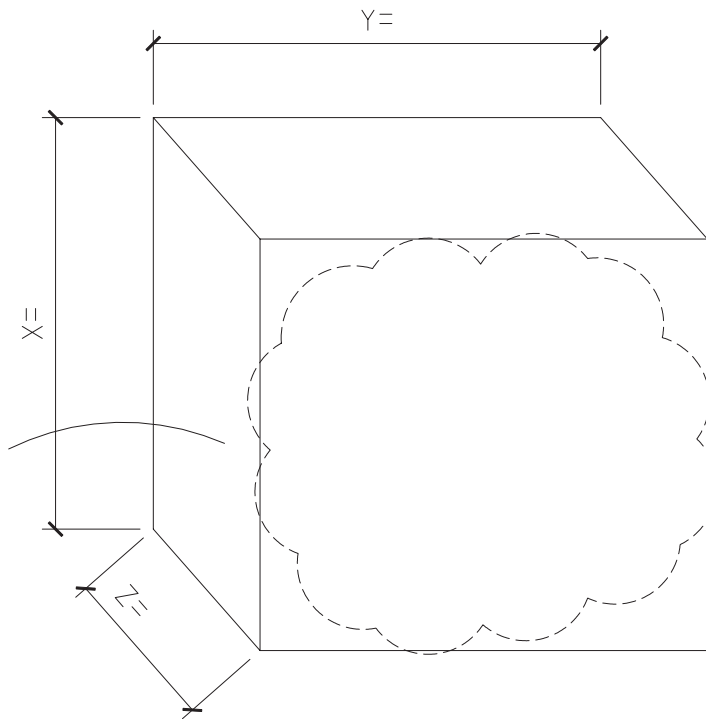
GENERIC STATUARY



EXAMPLE PHOTO OF STATUARY

CHOOSE PROFILE:

MUST PROVIDE A PHOTO OR OTHER VISUAL AID TO COMPLETE



QTY: _____

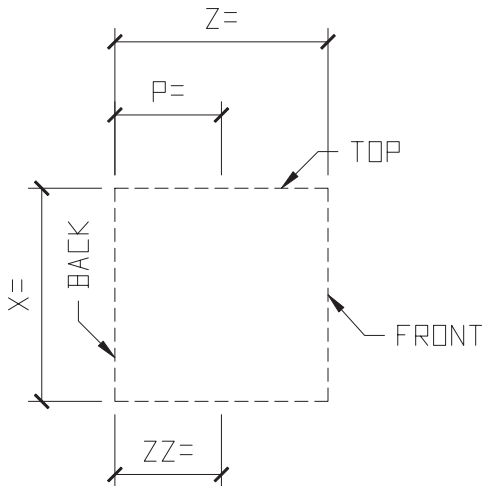
① ISOMETRIC VIEW
STATUARY

STANDARD COLOR CHOICE:
TAN \ WHITE \ BUFF

Please print clearly

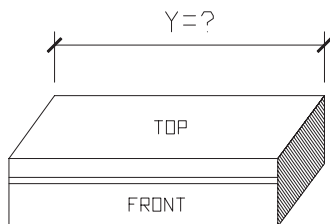
Unit ID: _____

GENERIC STEPS



CHOOSE PROFILE:

? _____

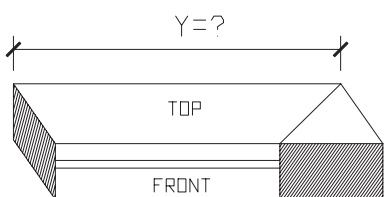


QTY: ? _____

① ISOMETRIC VIEW STRAIGHT

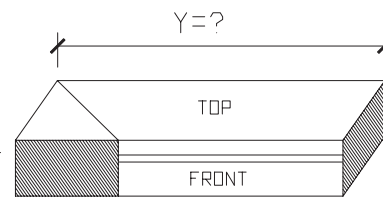


EXAMPLE PHOTO OF STEPS



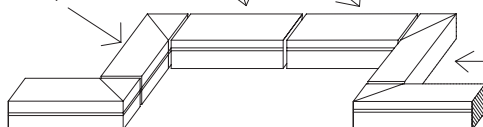
QTY: ? _____

② ISOMETRIC VIEW COPE INSIDE RIGHT

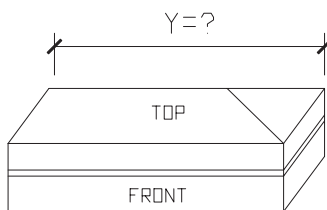


QTY: ? _____

③ ISOMETRIC VIEW COPE INSIDE LEFT

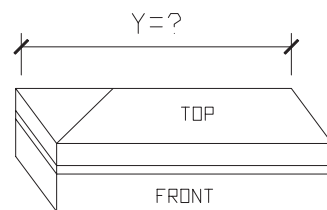


⑥ ISOMETRIC VIEW STEPS



QTY: ? _____

④ ISOMETRIC VIEW COPE OUTSIDE RIGHT



QTY: ? _____

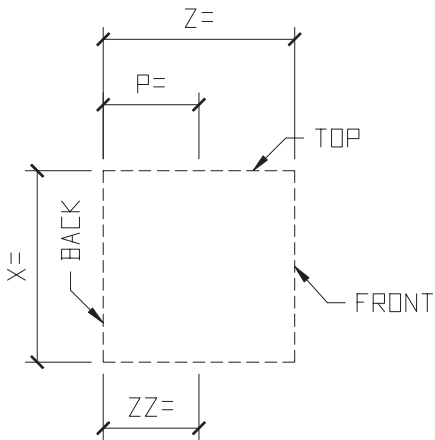
⑤ ISOMETRIC VIEW COPE OUTSIDE LEFT

STANDARD COLOR CHOICE:
TAN \ WHITE \ BUFF

Please print clear

Unit ID: 7666

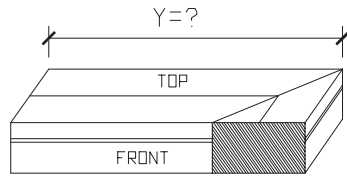
GENERIC WALL CAP



CHOOSE PROFILE:
? _____

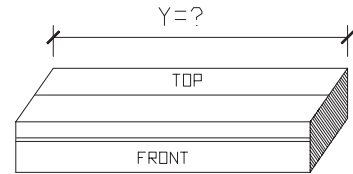


EXAMPLE PHOTO OF WALL CAP

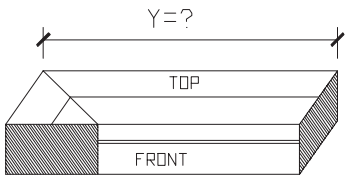


QTY: ? _____

② ISOMETRIC VIEW
COPE RIGHT

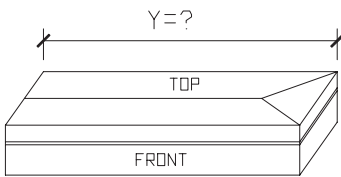


QTY: ? _____
① ISOMETRIC VIEW
STRAIGHT



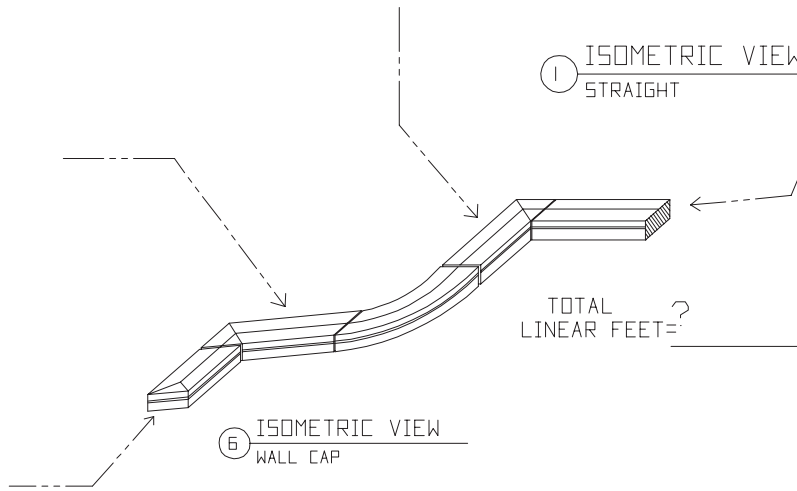
QTY: ? _____

③ ISOMETRIC VIEW
COPE LEFT



QTY: ? _____

④ ISOMETRIC VIEW
FINISHED END



⑤ ISOMETRIC VIEW
WALL CAP

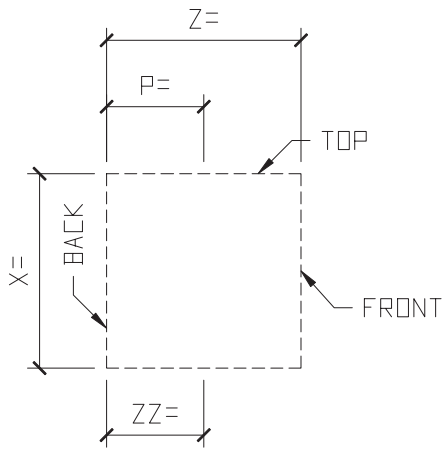
STANDARD COLOR CHOICES:
TAN \ WHITE \ BUFF

CUT TO FIT LENGTHS ARE
SUPPLIED IN 36" PIECES

Please print clearly

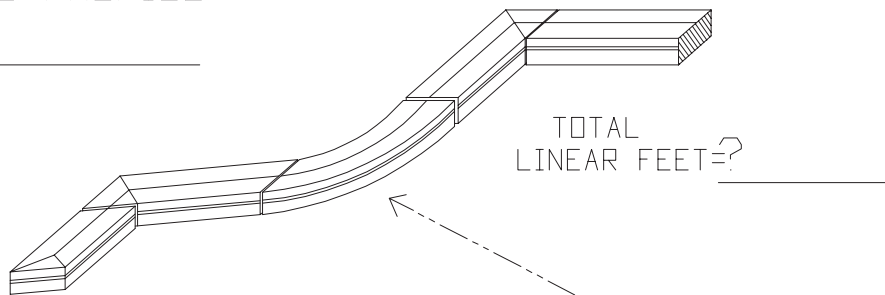
Unit ID: 17660

GENERIC WALL CAP

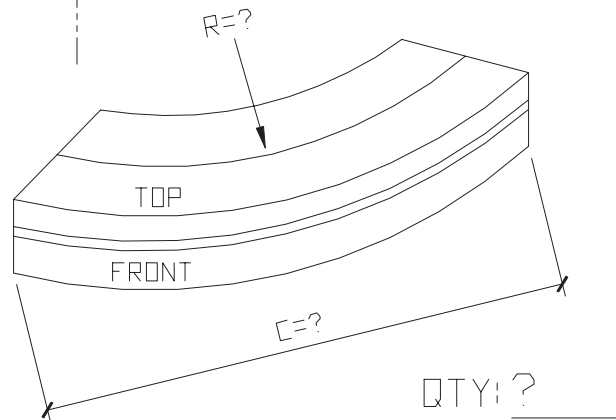


EXAMPLE PHOTO OF WALL CAP

CHOOSE PROFILE:
 ? _____



② ISOMETRIC VIEW
 WALL CAP _____



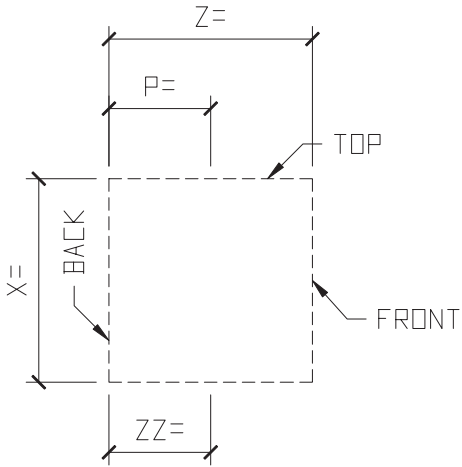
① ISOMETRIC VIEW
 RADIUS _____

STANDARD COLOR CHOICES:
 TAN \ WHITE \ BUFF

Please print clearly

Unit ID17723

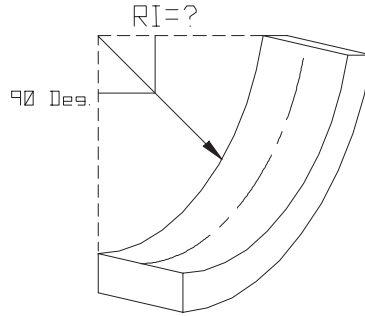
GENERIC WALL CAP



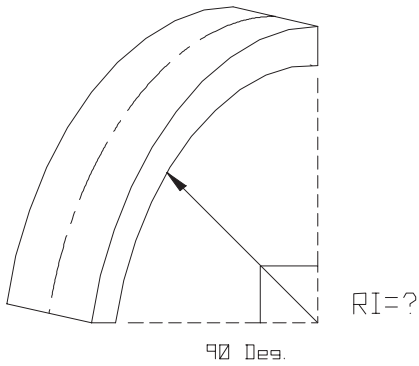
CHOOSE PROFILE:
 ?



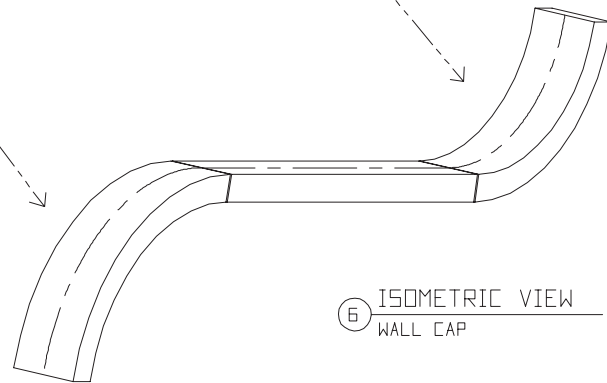
EXAMPLE PHOTO
 OF WALL CAP



QTY:?
 ④ ISOMETRIC VIEW
 UPEASING



QTY:?
 ④ ISOMETRIC VIEW
 OVEREASING



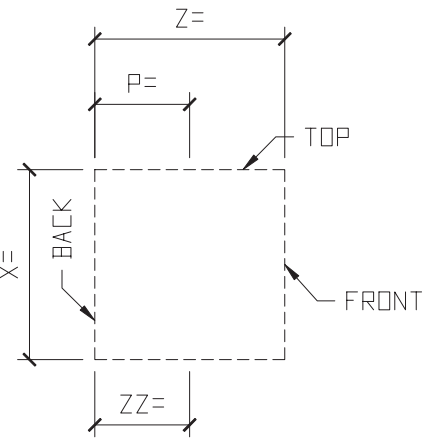
⑥ ISOMETRIC VIEW
 WALL CAP

STANDARD COLOR CHOICES:
 TAN \ WHITE \ BUFF

CUT TO FIT LENGTHS ARE
 SUPPLIED IN 36" PIECES

Please print clear

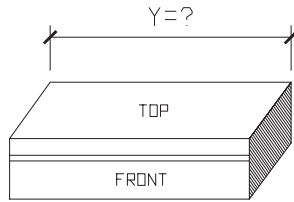
Unit ID: 7728



GENERIC WATERTABLE



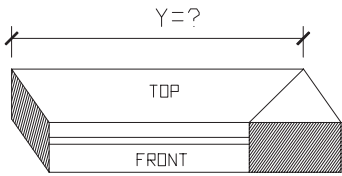
EXAMPLE PHOTO OF WATERTABLE



QTY: ?

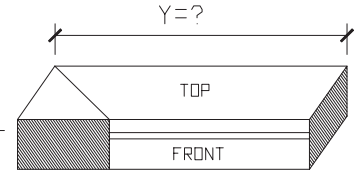
CHOOSE PROFILE:
? _____

① ISOMETRIC VIEW STRAIGHT



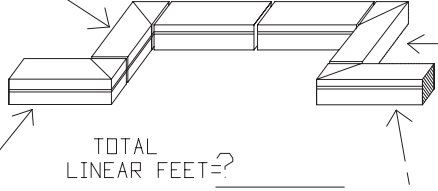
QTY: ?

② ISOMETRIC VIEW COPE INSIDE RIGHT

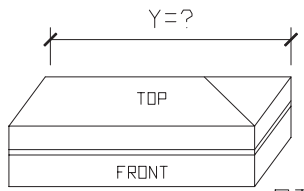


QTY: ?

③ ISOMETRIC VIEW COPE INSIDE LEFT

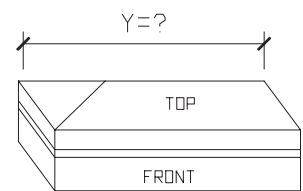


⑥ ISOMETRIC VIEW WATERTABLE



QTY: ?

④ ISOMETRIC VIEW COPE OUTSIDE RIGHT



QTY: ?

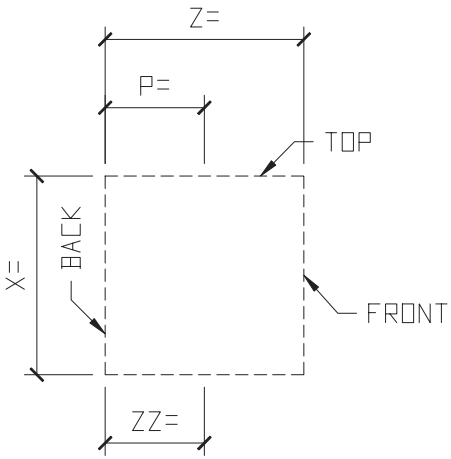
⑤ ISOMETRIC VIEW COPE OUTSIDE LEFT

STANDARD COLOR CHOICE:
TAN \ WHITE \ BUFF

CUT TO FIT LENGTHS ARE SUPPLIED IN 36" PIECES

Please print clearly

Unit ID: 7608



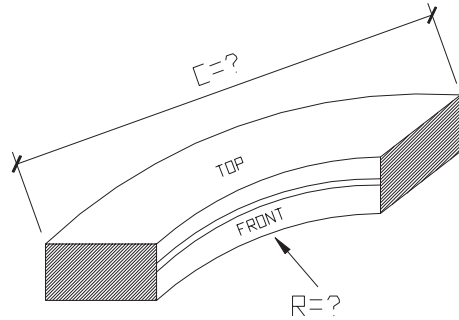
CHOOSE PROFILE:

? _____

GENERIC WATERTABLE

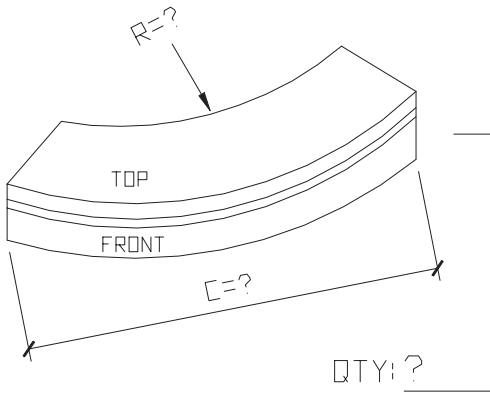


EXAMPLE PHOTO OF WATERTABLE

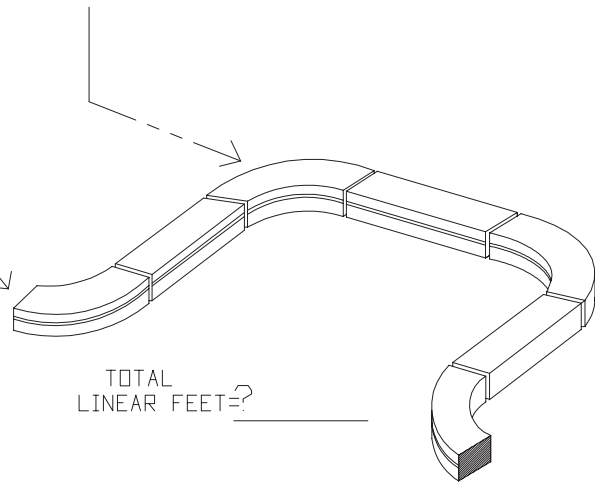


QTY: ? _____

① ISOMETRIC VIEW
COPE INSIDE RADIUS



② ISOMETRIC VIEW
COPE OUTSIDE RADIUS



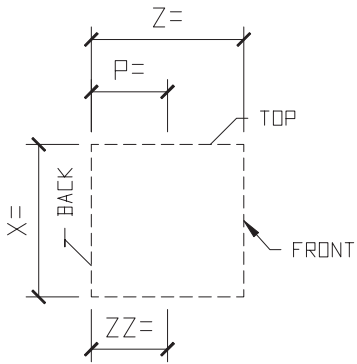
③ ISOMETRIC VIEW
WATERTABLE

STANDARD COLOR CHOICES:
TAN \ WHITE \ BUFF

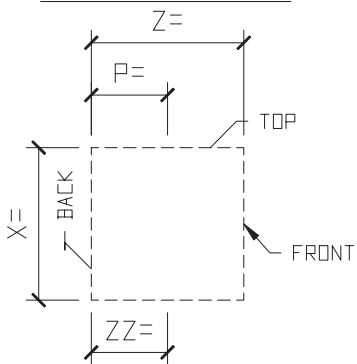
Please print clear

Unit ID17724

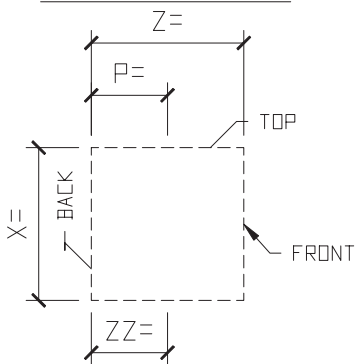
GENERIC SURROUND WINDOW SQUARE TOP



SURROUND PROFILE:
?



KEystone PROFILE:
?

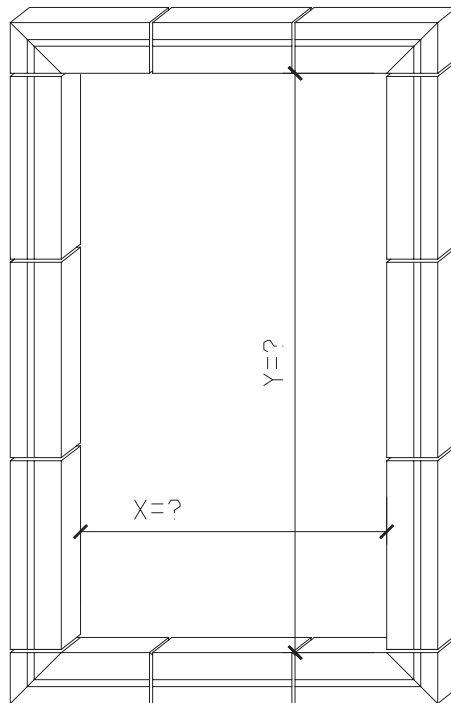


SILL PROFILE:
?

STANDARD COLOR CHOICE:
TAN \ WHITE \ BUFF



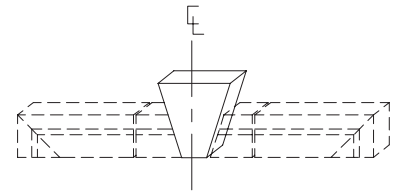
EXAMPLE PHOTO OF SURROUND



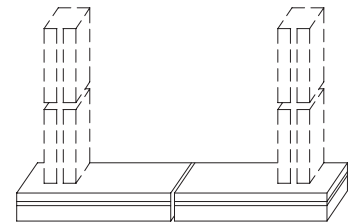
① ISOMETRIC VIEW
SURROUND WINDOW SQUARE TOP

QTY: ?

TYPICAL MODIFIERS



MODIFIERS: KEystone

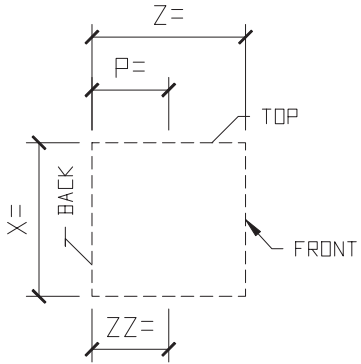


MODIFIER: SILL

Please print clearly

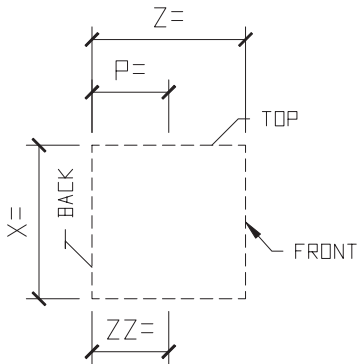
Unit ID: 17712

GENERIC SURROUND WINDOW SQUARE TOP



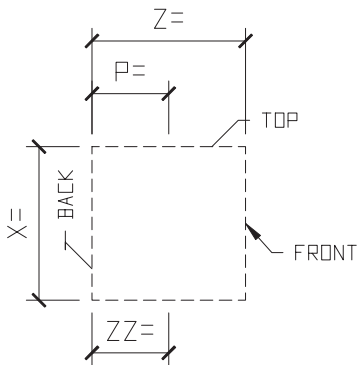
SURROUND PROFILE:

? _____



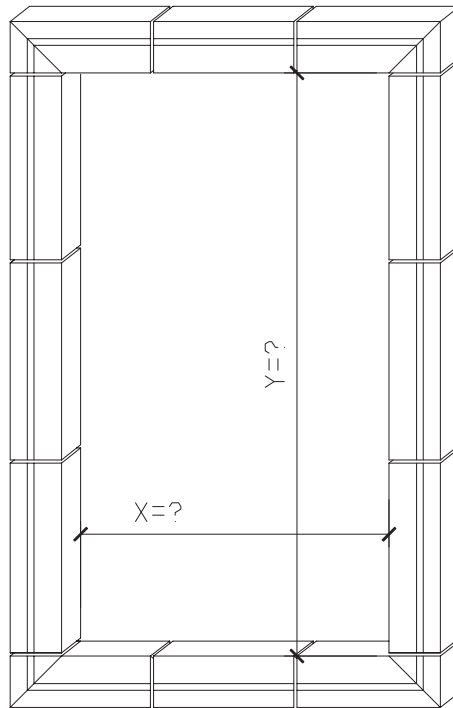
OTHER PROFILE:

? _____



OTHER PROFILE:

? _____

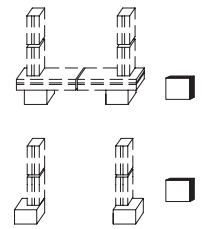
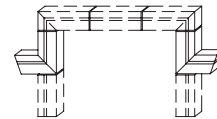
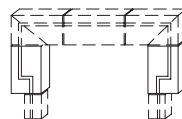
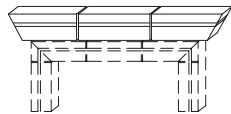


EXAMPLE PHOTO
OF SURROUND

QTY: ? _____

① ISOMETRIC VIEW
SURROUND WINDOW SQUARE TOP

ADDITIONAL MODIFIERS



MODIFIERS: CROWN

MODIFIERS: EAR

MODIFIER: WING

MODIFIER: PLINITH

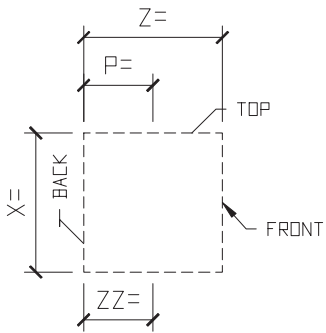
STANDARD COLOR CHOICE:

TAN \ WHITE \ BUFF

Please print clearly

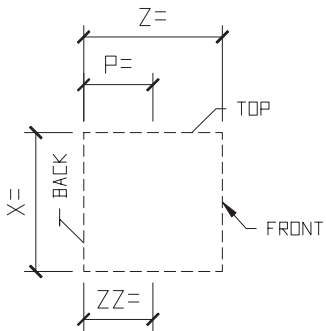
Unit ID: _____

GENERIC SURROUND WINDOW CIRCLE TOP



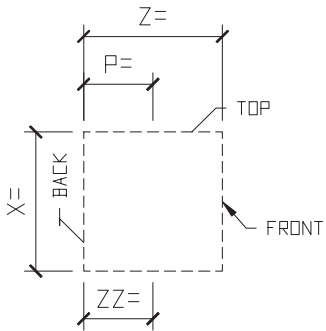
SURROUND PROFILE:

?



KEYSTONE PROFILE:

?



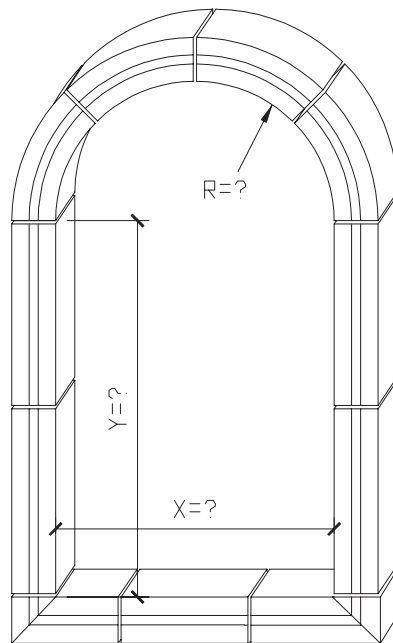
SILL PROFILE:

?

STANDARD COLOR CHOICE:
TAN \ WHITE \ BUFF



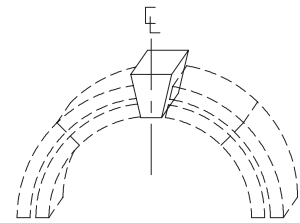
EXAMPLE PHOTO
OF SURROUND



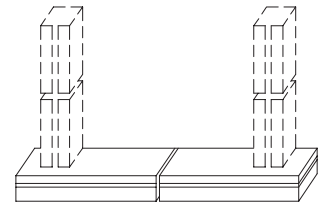
① ISOMETRIC VIEW
SURROUND WINDOW CIRCLE TOP

QTY: ? _____

TYPICAL MODIFIERS



MODIFIERS: KEYSTONE



MODIFIER: SILL

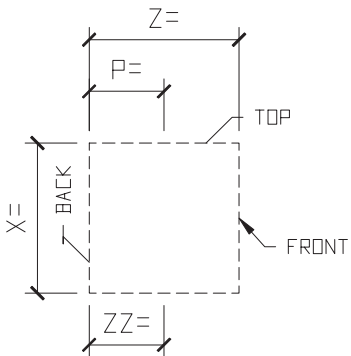
Please print clearly

Unit ID: 7713

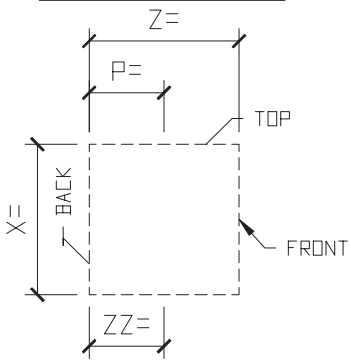
GENERIC SURROUND WINDOW
CIRCLE TOP



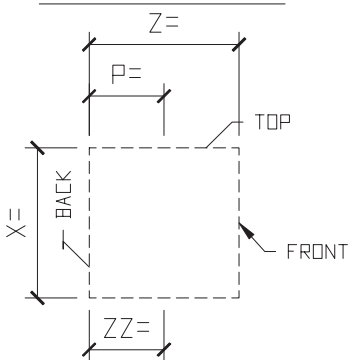
EXAMPLE PHOTO
OF SURROUND CIRCLETOP



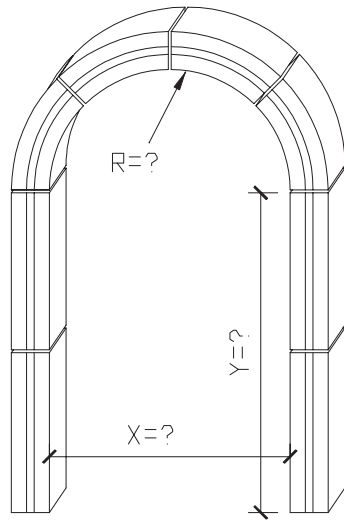
SURROUND PROFILE:
?



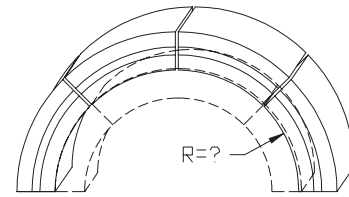
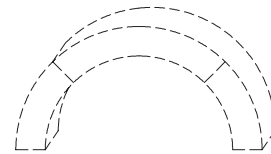
KEYSTONE PROFILE:
?



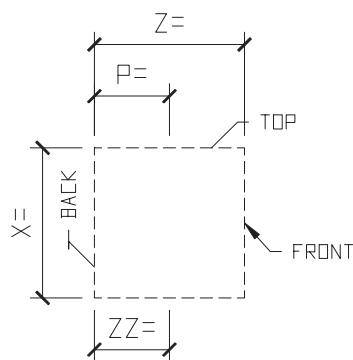
SILL PROFILE:
?



1 ISOMETRIC VIEW
SURROUND CIRCLE TOP
QTY: ?



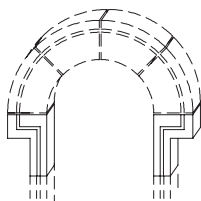
MODIFIERS: CROWN



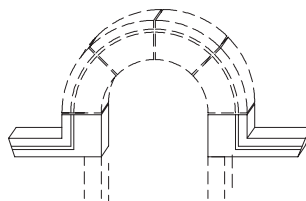
PLINITH PROFILE:
?

STANDARD COLOR CHOICE:
TAN \ WHITE \ BUFF

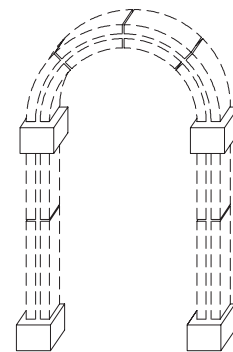
TYPICAL MODIFIERS



MODIFIERS: EAR



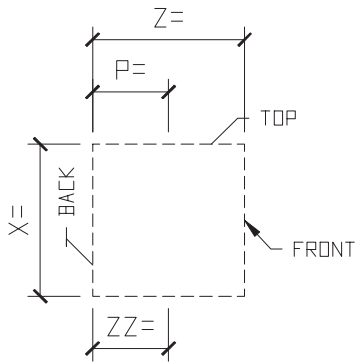
MODIFIERS: WINGS



MODIFIER: PLINITH

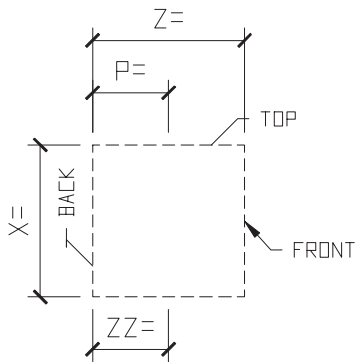
Please print clearly

GENERIC SURROUND WINDOW EYEBROW



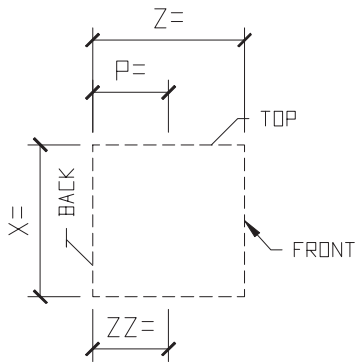
SURROUND PROFILE:

? _____



KEYSTONE PROFILE:

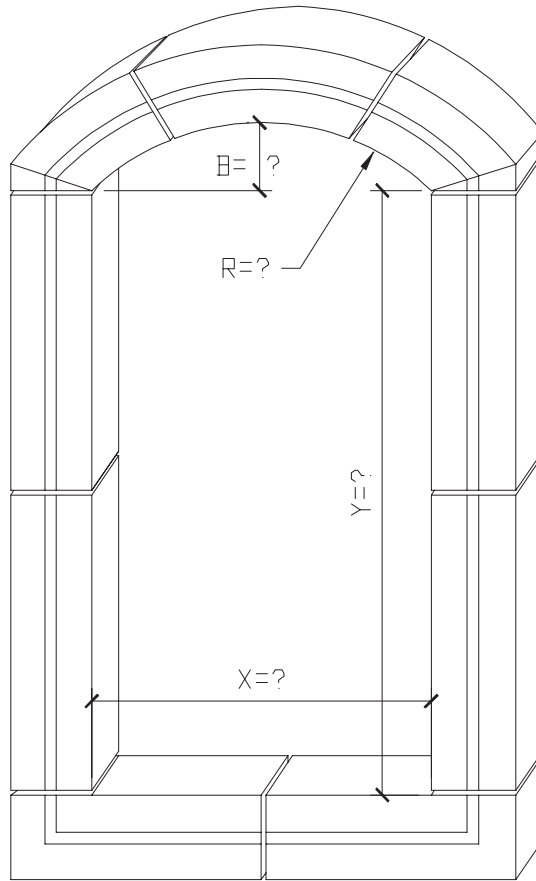
? _____



SILL PROFILE:

? _____

STANDARD COLOR CHOICE:
TAN \ WHITE \ BUFF



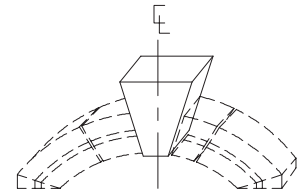
ISOMETRIC VIEW
SURROUND WINDOW EYEBROW

QTY: ? _____

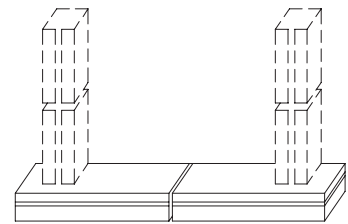


EXAMPLE PHOTO
OF SURROUND

TYPICAL MODIFIERS



MODIFIERS: KEYSTONE



MODIFIER: SILL

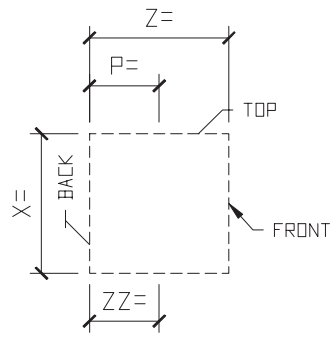
Please print clearly

Unit ID: 7715

GENERIC SURROUND WINDOW EYEBROW

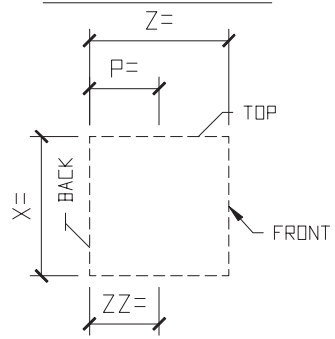


EXAMPLE PHOTO OF SURROUND



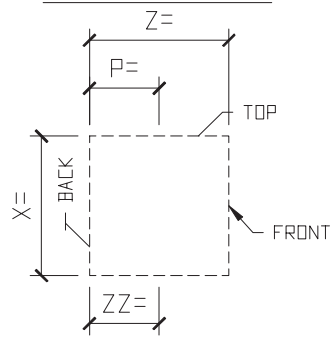
SURROUND PROFILE:

? _____



KEYSTONE PROFILE:

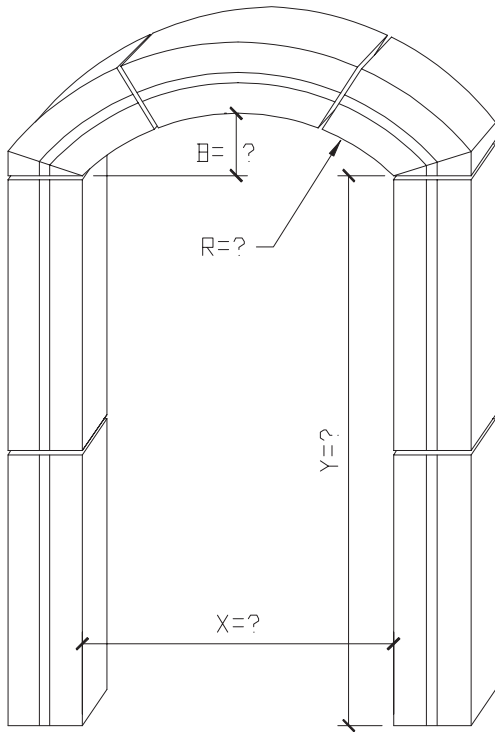
? _____



SILL PROFILE:

? _____

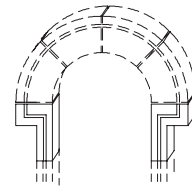
STANDARD COLOR CHOICE:
TAN \ WHITE \ BUFF



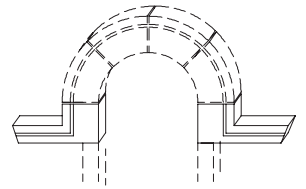
① ISOMETRIC VIEW
SURROUND WINDOW EYEBROW

QTY: ? _____

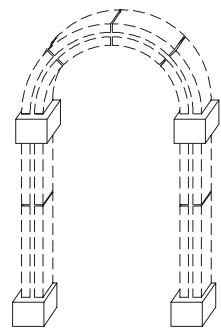
ADDITIONAL MODIFIERS



MODIFIERS: EAR



MODIFIERS: WINGS

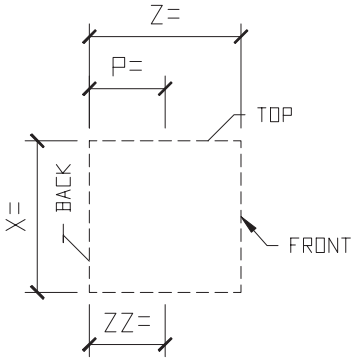


MODIFIER: PLINITH

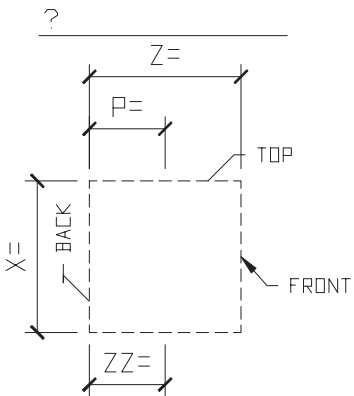
Please print clearly

Unit ID: _____

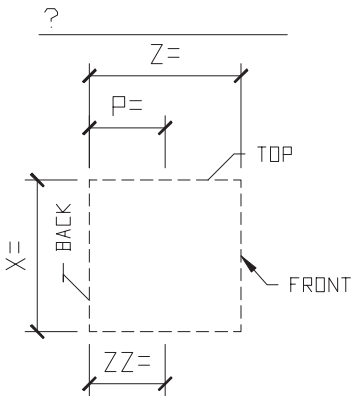
GENERIC SURROUND WINDOW ELLIPTICAL



SURROUND PROFILE:



KEYSTONE PROFILE:



SILL PROFILE:

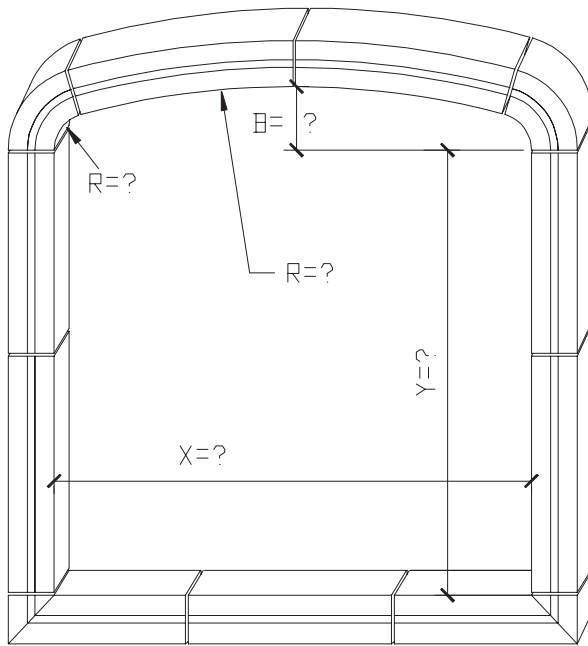
?

STANDARD COLOR CHOICE:

TAN \ WHITE \ BUFF



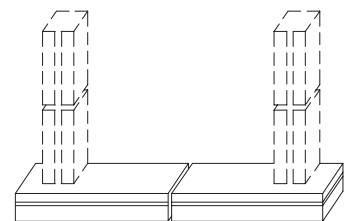
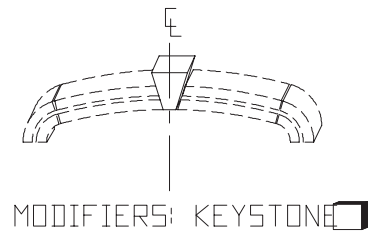
EXAMPLE PHOTO OF SURROUND



1 ISOMETRIC VIEW
SURROUND WINDOW ELLIPTICAL

QTY: ?

TYPICAL MODIFIERS

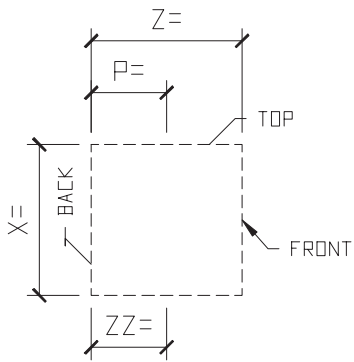


MODIFIER: SILL

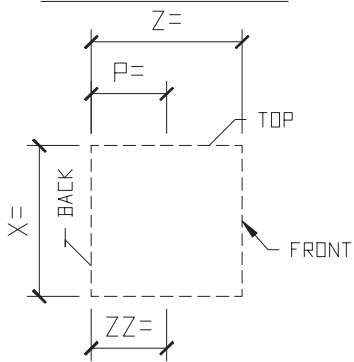
Please print clearly

Unit ID17714

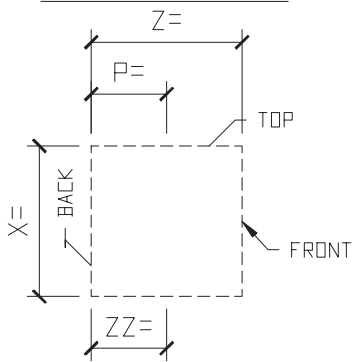
GENERIC SURROUND WINDOW ELLIPTICAL



SURROUND PROFILE:
?

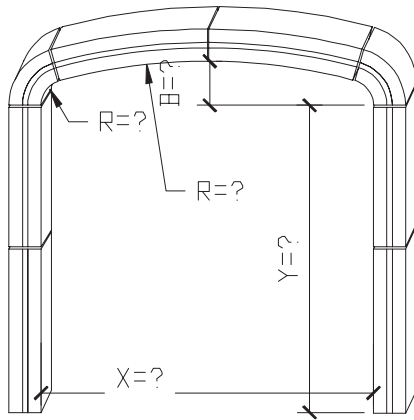


WING PROFILE:
?



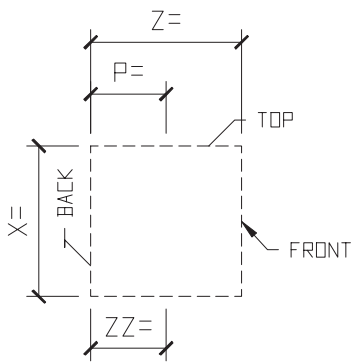
EAR PROFILE:
?

STANDARD COLOR CHOICE:
TAN \ WHITE \ BUFF



① ISOMETRIC VIEW
SURROUND ELLIPTICAL

QTY: ?

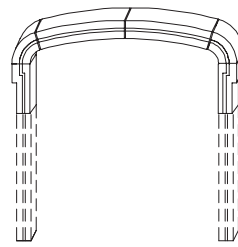


PLINTH PROFILE:
?

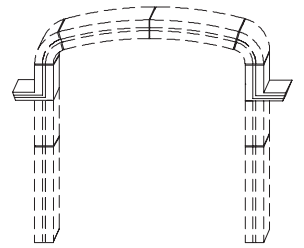


EXAMPLE PHOTO
OF SURROUND

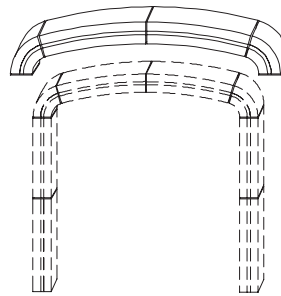
TYPICAL MODIFIERS



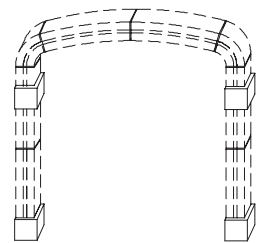
MODIFIERS: EAR



MODIFIERS: WING



MODIFIERS: CROWN

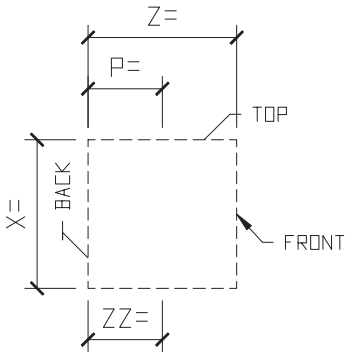


MODIFIERS: PLINTH

Please print clearly

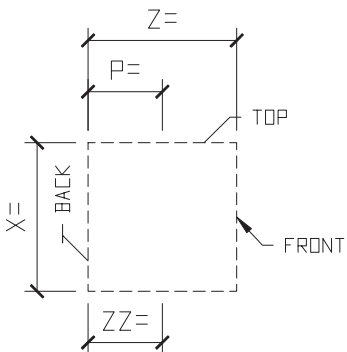
Unit ID: 7714

GENERIC SURROUND WINDOW GOTHIC



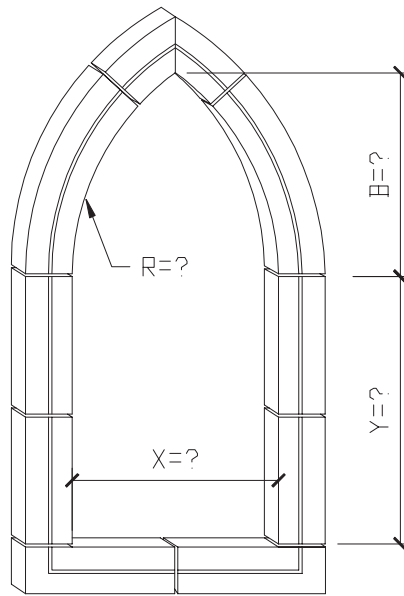
SURROUND PROFILE:

?



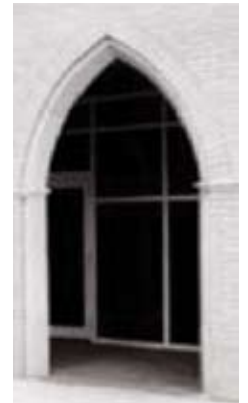
SILL PROFILE:

?



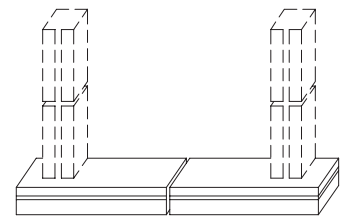
① ISOMETRIC VIEW
SURROUND WINDOW GOTHIC

QTY: ?



EXAMPLE PHOTO
OF SURROUND

TYPICAL MODIFIERS



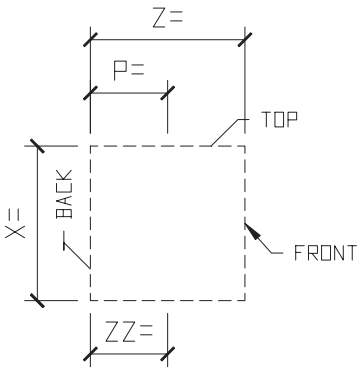
MODIFIER: SILL

STANDARD COLOR CHOICE:
TAN \ WHITE \ BUFF

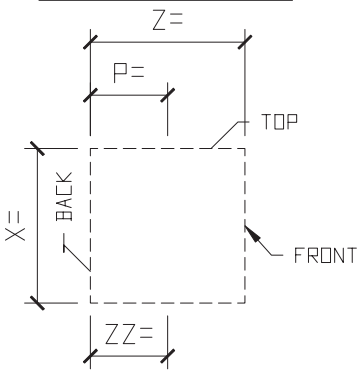
Please print clear

Unit ID: 7717

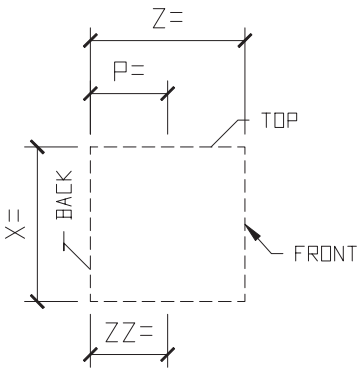
GENERIC SURROUND WINDOW GOTHIC



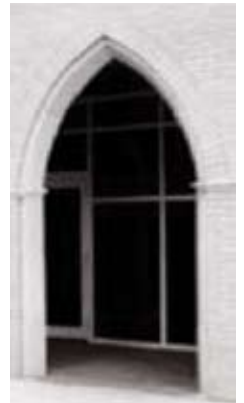
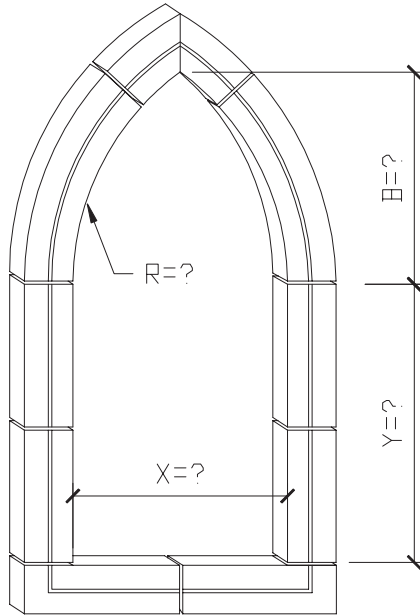
SURROUND PROFILE:
?



OTHER PROFILE:
?



OTHER PROFILE:
?



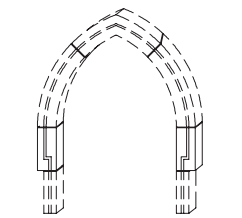
EXAMPLE PHOTO
OF SURROUND

QTY: ?

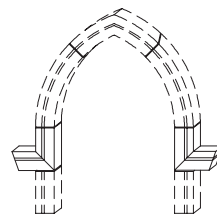


ISOMETRIC VIEW SURROUND WINDOW GOTHIC

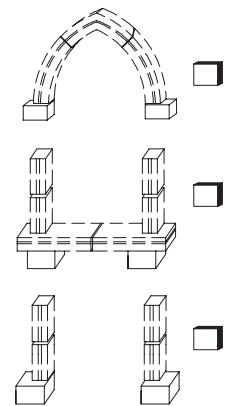
ADDITIONAL MODIFIERS



MODIFIERS: EAR



MODIFIER: WING



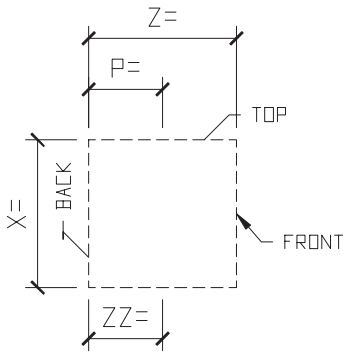
MODIFIER: PLINITH

STANDARD COLOR CHOICE:
TAN \ WHITE \ BUFF

Please print clear

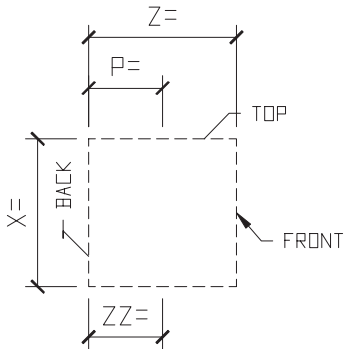
Unit ID:

GENERIC SURROUND WINDOW PALLADIUM



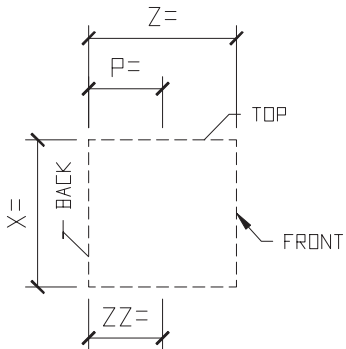
SURROUND PROFILE:

? _____



KEystone PROFILE:

? _____



SILL PROFILE:

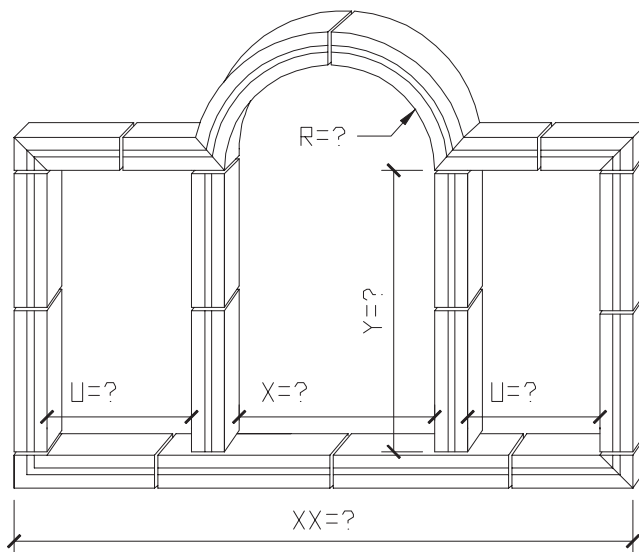
? _____

STANDARD COLOR CHOICE:

TAN \ WHITE \ BUFF



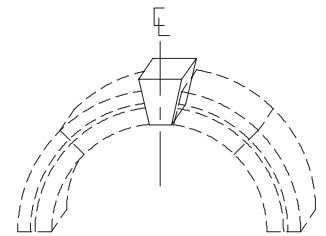
EXAMPLE PHOTO OF SURROUND



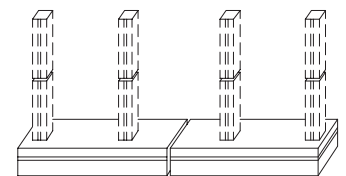
① ISOMETRIC VIEW
SURROUND WINDOW PALLADIUM

QTY: ? _____

TYPICAL MODIFIERS



MODIFIERS: KEYSTONE

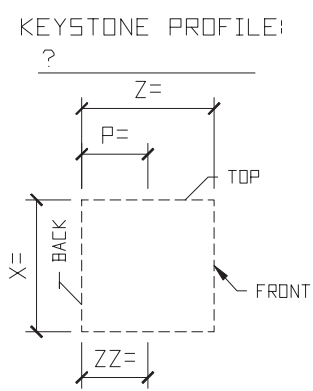
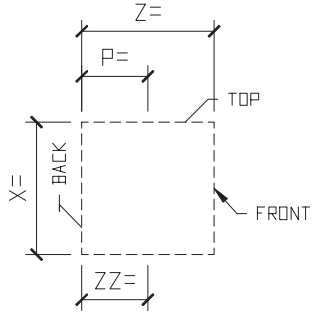
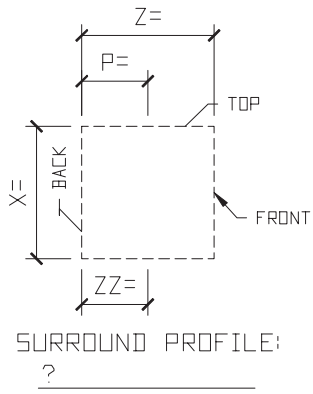


MODIFIER: SILL

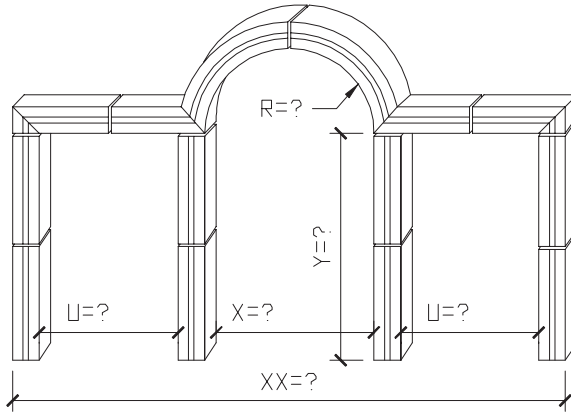
Please print clearly

Unit ID: 7716

GENERIC SURROUND WINDOW PALLADIUM

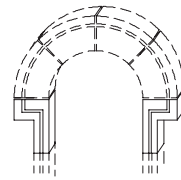


STANDARD COLOR CHOICE:
TAN \ WHITE \ BUFF

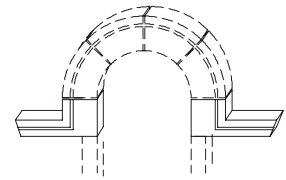


EXAMPLE PHOTO
OF SURROUND PALLADIUM

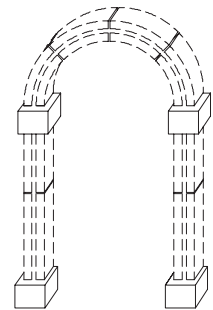
TYPICAL MODIFIERS



MODIFIERS: EARS



MODIFIERS: WINGS



MODIFIER: PLINITH

QTY: 1 ISOMETRIC VIEW
PALLADIUM

Please print clearly

Unit ID#7716