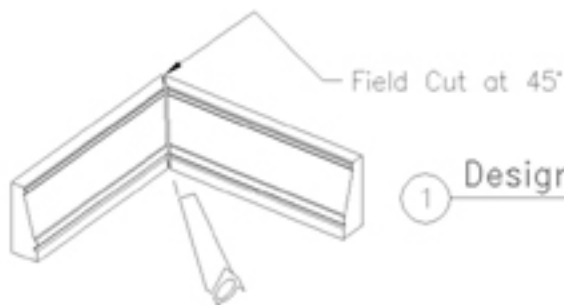


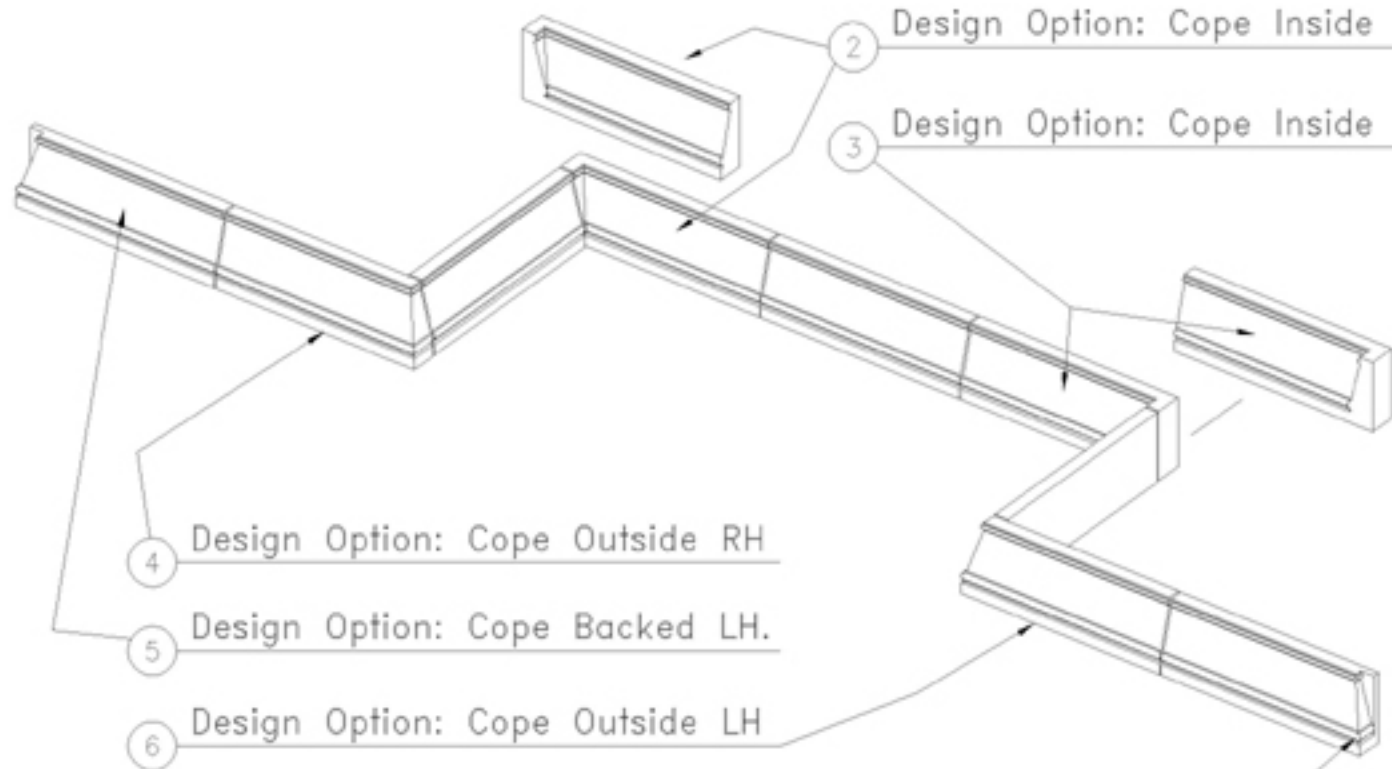
Design Options dwg. Spandrels & Banding



① Design Option: Field cut Miter

② Design Option: Cope Inside LH

③ Design Option: Cope Inside RH



④ Design Option: Cope Outside RH

⑤ Design Option: Cope Backed LH.

⑥ Design Option: Cope Outside LH

⑦ Design Option: Cope Backed RH

SCALE: N.T.S.

DEVELOPMENT DRAWING

TITLE: Design Options dwg. Spandrels & Banding

DRAWING DETAIL: **Multiviews**

DESCRIPTION: **BANDING**

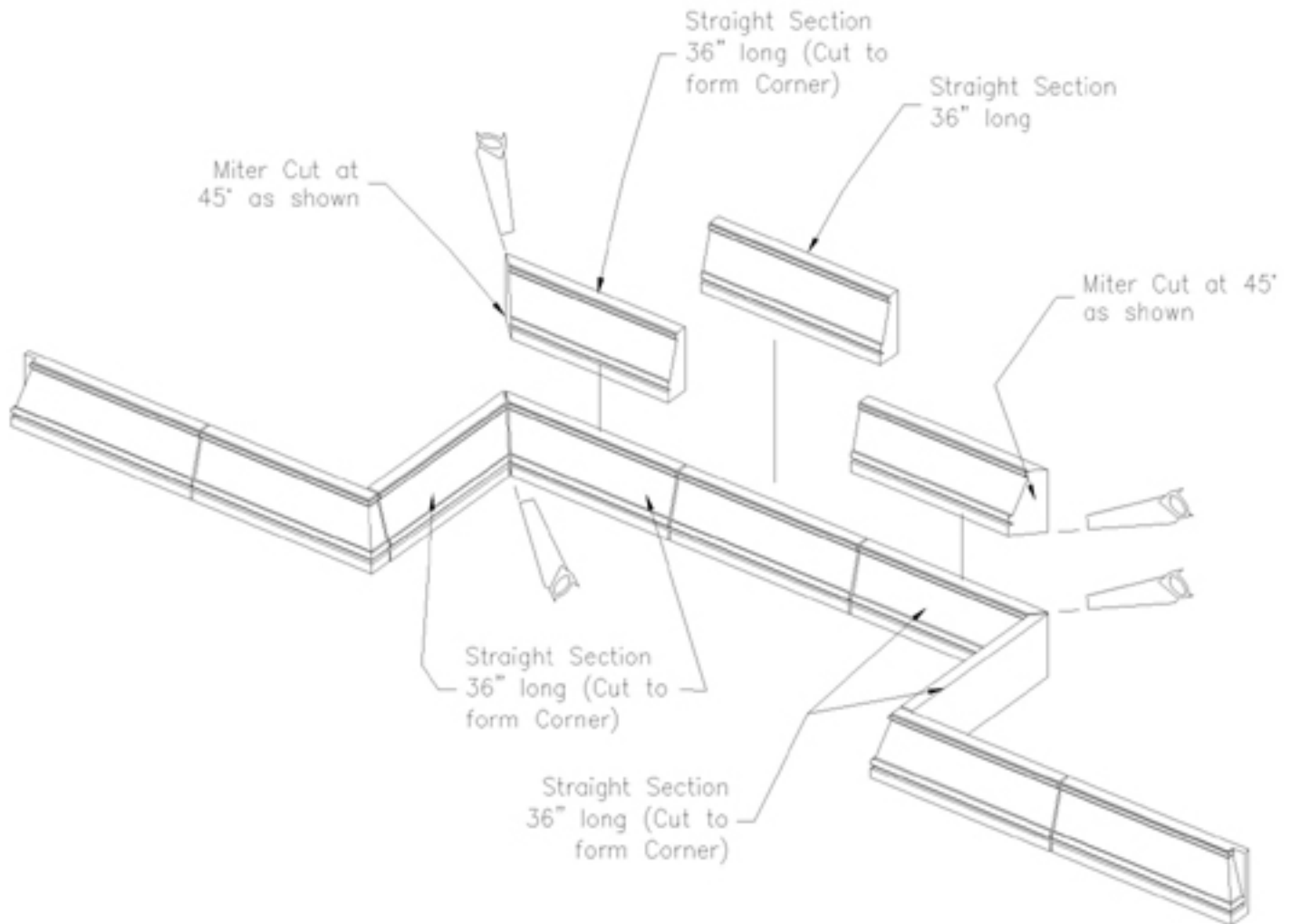
NOTES:

- Type Drawing
- Attachments & Interfaced to: (Type Building)
- Design Options
- Flashing Details
- Cutting & Fitting Details
- Building Code
- Measuring

DATE: 06/18/2003

DRAWING #: BANDD@EV: 1

**Cutting Detail dwg. Spandrels & Banding**



① Details for Cutting Straight Sections to form Inside Corners

SCALE: N.T.S.

	<p>DEVELOPMENT DRAWING</p>	<p>TITLE: Cutting Detail dwg. Spandrels &amp; Banding</p>
	<p>DRAWING DETAIL: Multiviews</p>	
	<p>DESCRIPTION: Spandrels &amp; Banding</p>	
	<p>NOTES:</p>	
	<div style="border: 1px solid black; padding: 5px;"> <p><input type="checkbox"/> Type Drawing</p> <p><input type="checkbox"/> Attachments &amp; Interfaced to: (Type Building)</p> <p><input type="checkbox"/> Design Options</p> <p><input type="checkbox"/> Flashing Details</p> <p><input checked="" type="checkbox"/> Cutting &amp; Fitting Details</p> <p><input type="checkbox"/> Building Code</p> <p><input type="checkbox"/> Measuring</p> </div>	
	<p>DATE: 06/20/2003</p>	
	<p>DRAWING #: BANDCUREV: 1</p>	

# Technical Information: Profile Setting Beds

For: Used to keep Banding Profile shapes matching.

