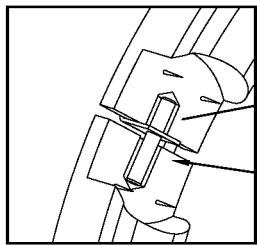


# Design Options Keystone

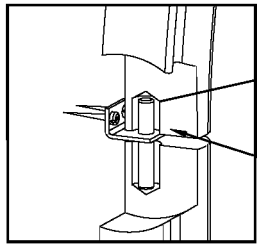
## How to Attach a Window Surround

### Attachments & Interfaced to Wood/Stucco building dwg. Window Circ Top/Ellipse/Eyebrow & Gothic. Top to Wood/Stucco using Clips, Pins, Screws & Wire

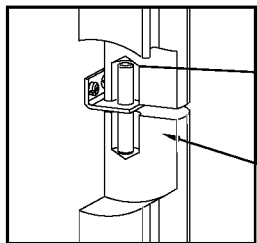
Note: The requirements for attaching stone to structures, varies among the different States. A certified engineer that is familiar with the Geologic Seismic & Climatic conditions of your area must determine the best method for attaching the stone to the structure. The stone supplier is not responsible for providing information on attachment methods and can only provide suggested attachment methods. These suggested methods are well known and have been used throughout the industry. The Stucco/Stone must hide all attachments.



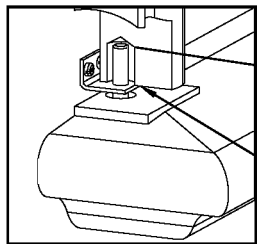
6 **Between Stones**  
Attached to Wood using Pin, L Clip & Screws



5 **Between Stones**  
Attached to Wood using Pin, L Clip & Screws

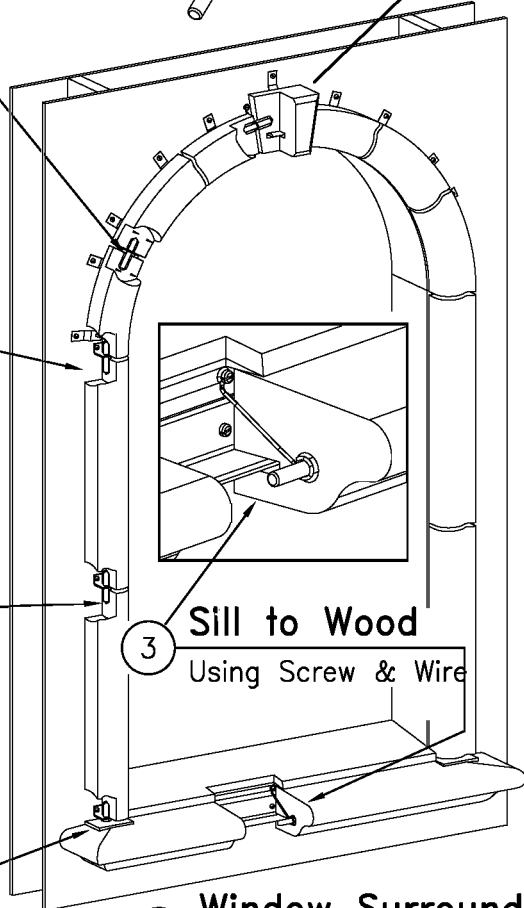
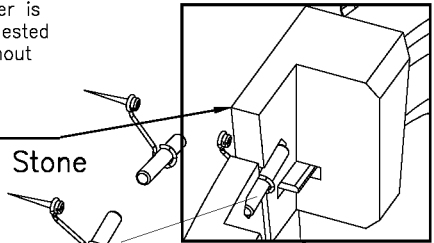


4 **Between Stones**  
Attached to Wood using Pin, L Clip & Screws



2 **Surround & Sill**  
Attached to Wood using Pin, L Clip & Screws

7 **Keystone**  
to Wood & Stone Attached with Pin & Wire

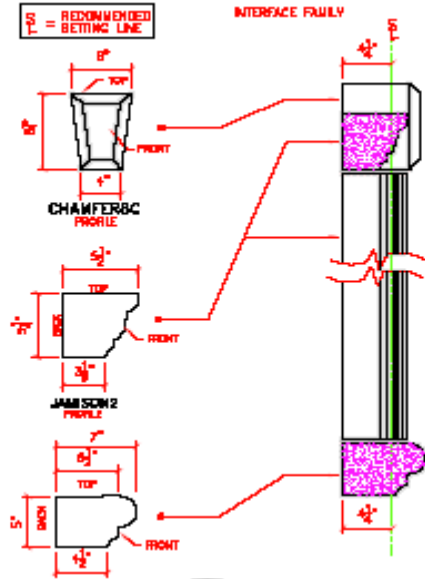


1 **Window Surround**

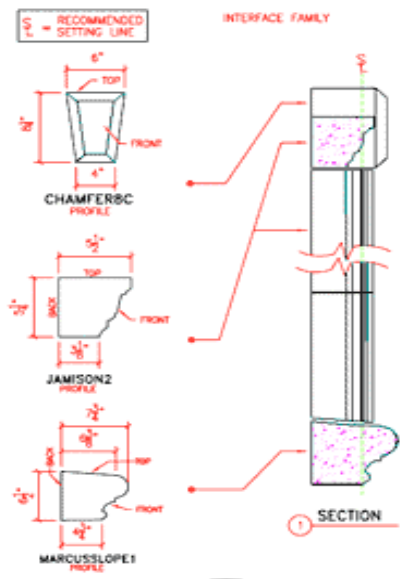
SCALE: NTS.

# Technical Information: Profile Setting Beds

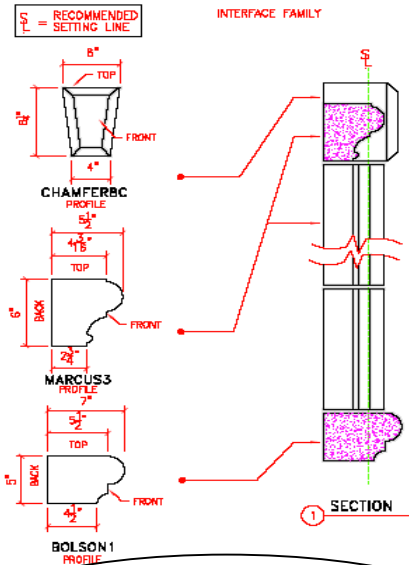
For: Window, Sill, and Key alignments; Multiple stacked profiles match correctly.



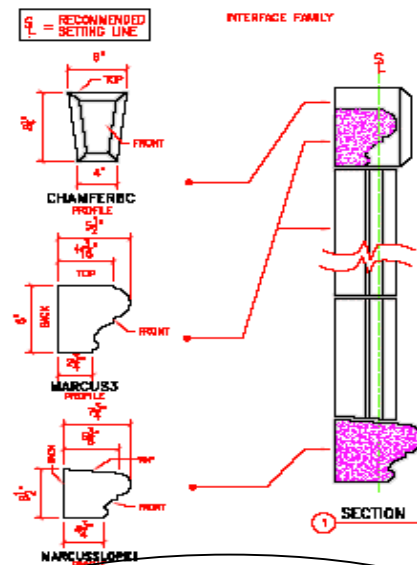
Bolson1 Bottom Profile  
Jamison2 Middle Setting Bed  
Chamfer8c Top 4 1/4 inches



Marcuslope1 Bottom Profile  
Jamison2 Middle Setting Bed  
Chamfer8c Top 4 3/4 inches



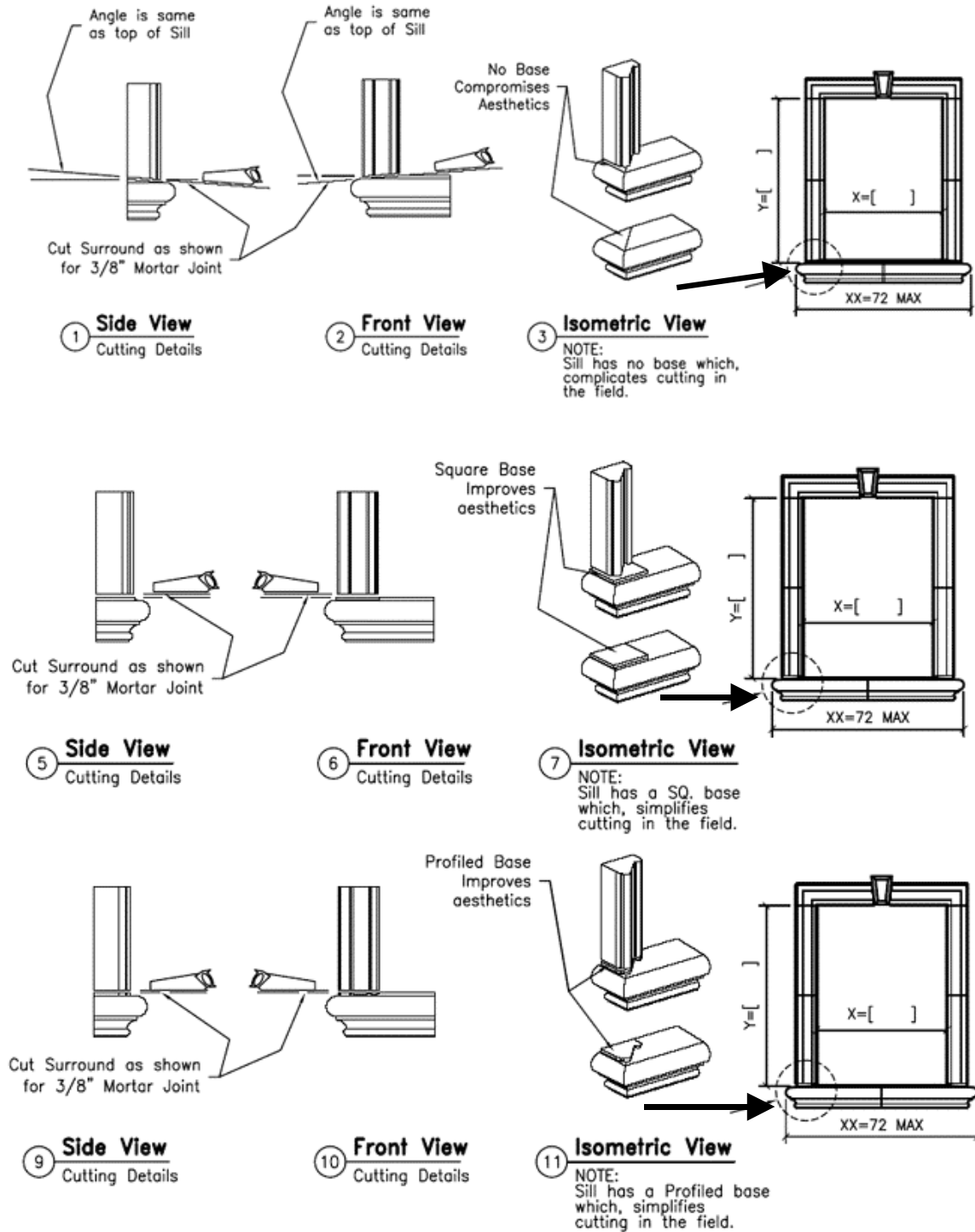
Bolson1 Bottom Profile  
Marcus3 Middle Setting Bed  
Chamfer8c Top 4 1/2 inches



Marcuslope1 Bottom Profile  
Marcus3 Middle Setting Bed  
Chamfer8c Top 4 1/2 inches

## Technical Information: Cutting Details

For: Window and Sills decisions that require closer fitting or options that affect the overall appearance.

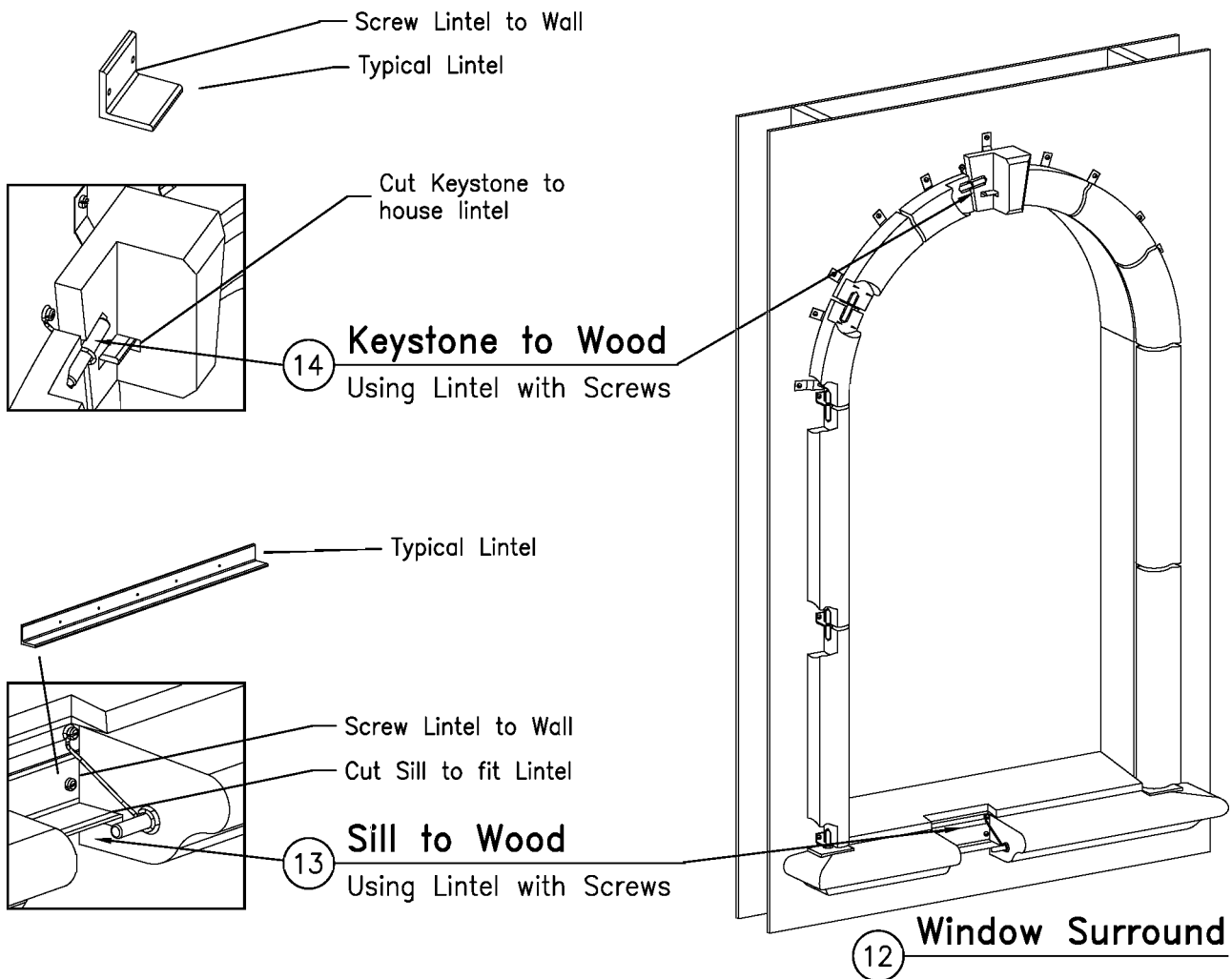


## Design Options Keystone

### How to Attach a Window Surround

#### Attachments & Interfaced to Wood & Stucco building. Window Circ Top/ Ellipse/ Eyebrow & Gothic. Top to Wood/Stucco using Lintels & Screws.

Note: The requirements for attaching stone to structures, varies among the different States. A certified engineer that is familiar with the Geologic Seismic & Climatic conditions of your area must determine the best method for attaching the stone to the structure. The stone supplier is not responsible for providing information on attachment methods and can only provide suggested attachment methods. These suggested methods are well known and have been used throughout the industry. The Stucco/Stone must hide all attachments.



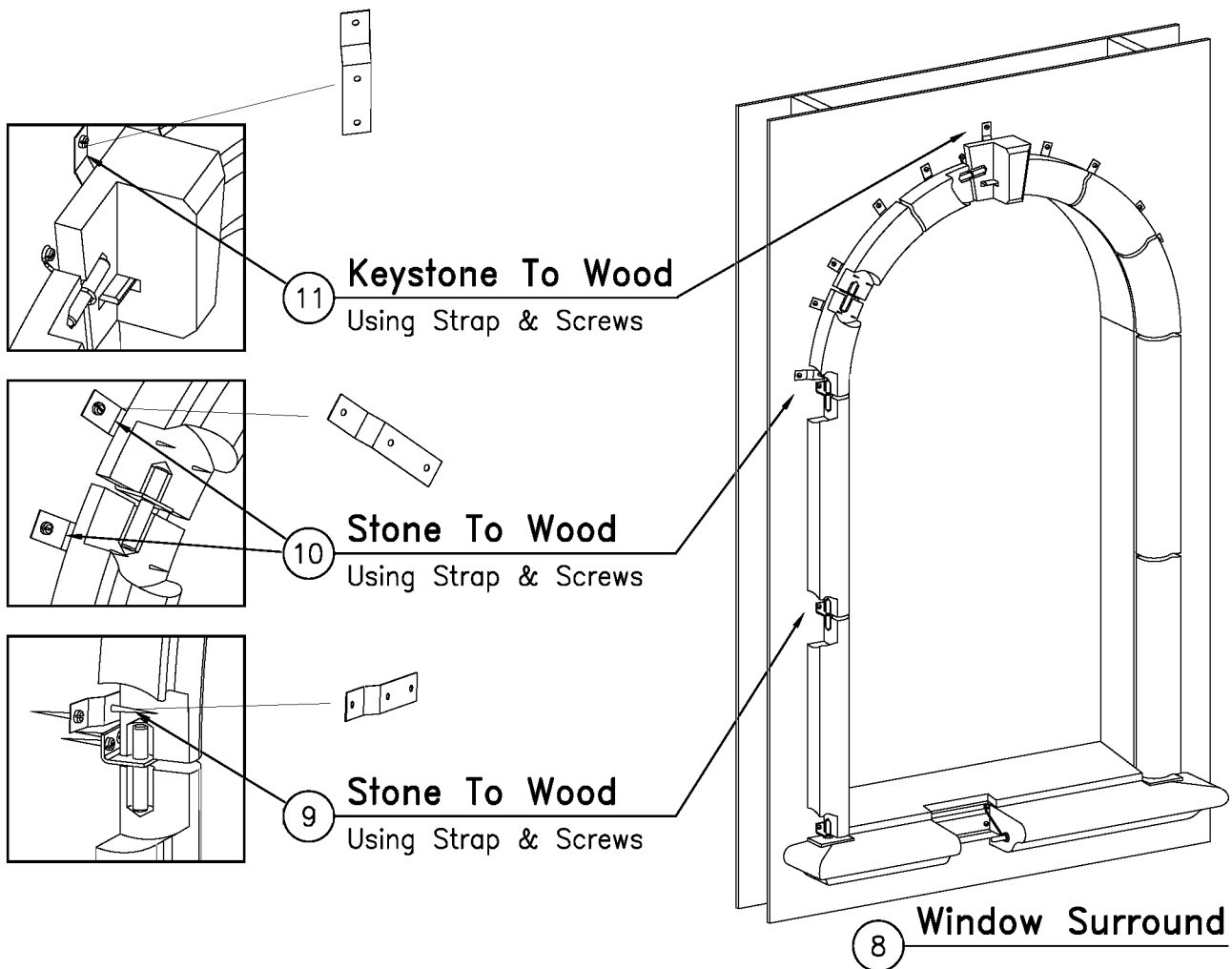
SCALE: 1" = 1'-0"

## Design Options Keystone

### How to Attach a Window Surround

#### Attachments & Interfaced to Wood & Stucco building. Window Circ Top/Ellipse/Eyebrow & Gothic. Top to Wood/Stucco using Straps & Screws.

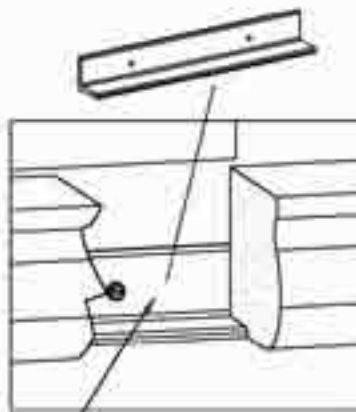
Note: The requirements for attaching stone to structures, varies among the different States. A certified engineer that is familiar with the Geologic Seismic & Climatic conditions of your area must determine the best method for attaching the stone to the structure. The stone supplier is not responsible for providing information on attachment methods and can only provide suggested attachment methods. These suggested methods are well known and have been used throughout the industry. The Stucco/Stone must hide all attachments.



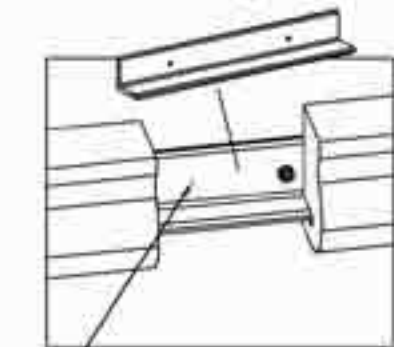
SCALE: 1" = 1'-0"

**Attachments & Interfaced to Wood/Brick. Windows SQ. Top using Lintel**

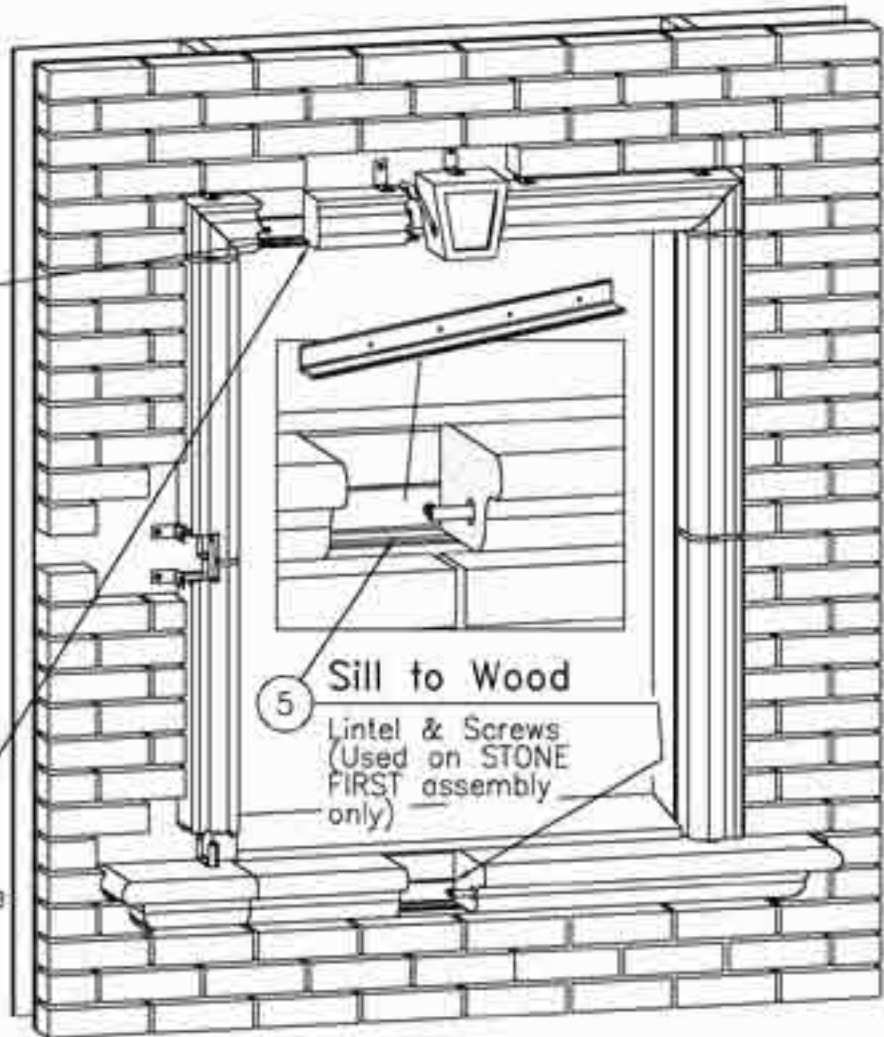
Note: The requirements for attaching stone to structures, varies among the different States. A certified engineer that is familiar with the Geologic Seismic & Climatic conditions of your area must determine the best method for attaching the stone to the structure. The stone supplier is not responsible for providing information on attachment methods and can only provide suggested attachment methods. These suggested methods are well known and have been used throughout the industry.



**7 Stone to Wood**  
Example shown of under cut stone to house lintel. [Note: Lintel is visible from below]



**6 Stone to Wood**  
Example shown of Blind Lintel. Stone is cut in the back to hide the lintel. Screw Lintel to Wall



**4 Window Surround Installation Assy.**

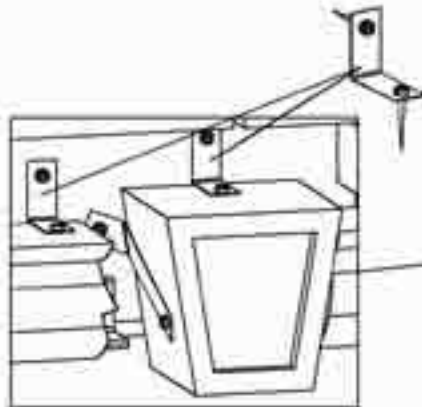
**NOTE:** Sill sits on top of Lintel.  
Lintel is only required in a Stone First assembly.  
No stone cutting required

SCALE: NTS.

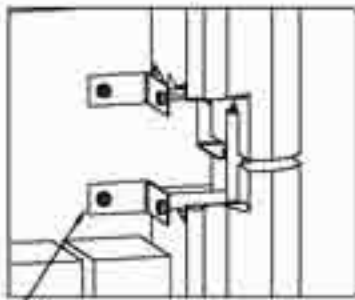
DEVELOPMENT DRAWING	TITLE: <b>Attachments &amp; Interfaced to Wood/Brick. Win. SQ.Top</b>
DRAWING DETAIL: MULTIVIEWS	
DESCRIPTION: Square Top Window Surround	
NOTES:	
<div style="border: 1px solid black; padding: 5px;"> <input checked="" type="checkbox"/> Type Drawing  <input type="checkbox"/> Attachments &amp; Interfaced to: (Type Building)  <input type="checkbox"/> Design Options  <input type="checkbox"/> Flashing Details  <input type="checkbox"/> Cutting &amp; Fitting Details  <input type="checkbox"/> Building Code  <input type="checkbox"/> Measuring                 </div>	
	DATE: 06/24/2003
	DRAWING #: SQTWINREV: 1

## Attachments & Interfaced to Wood/Brick. Windows SQ. Top using Clips Straps & Screws

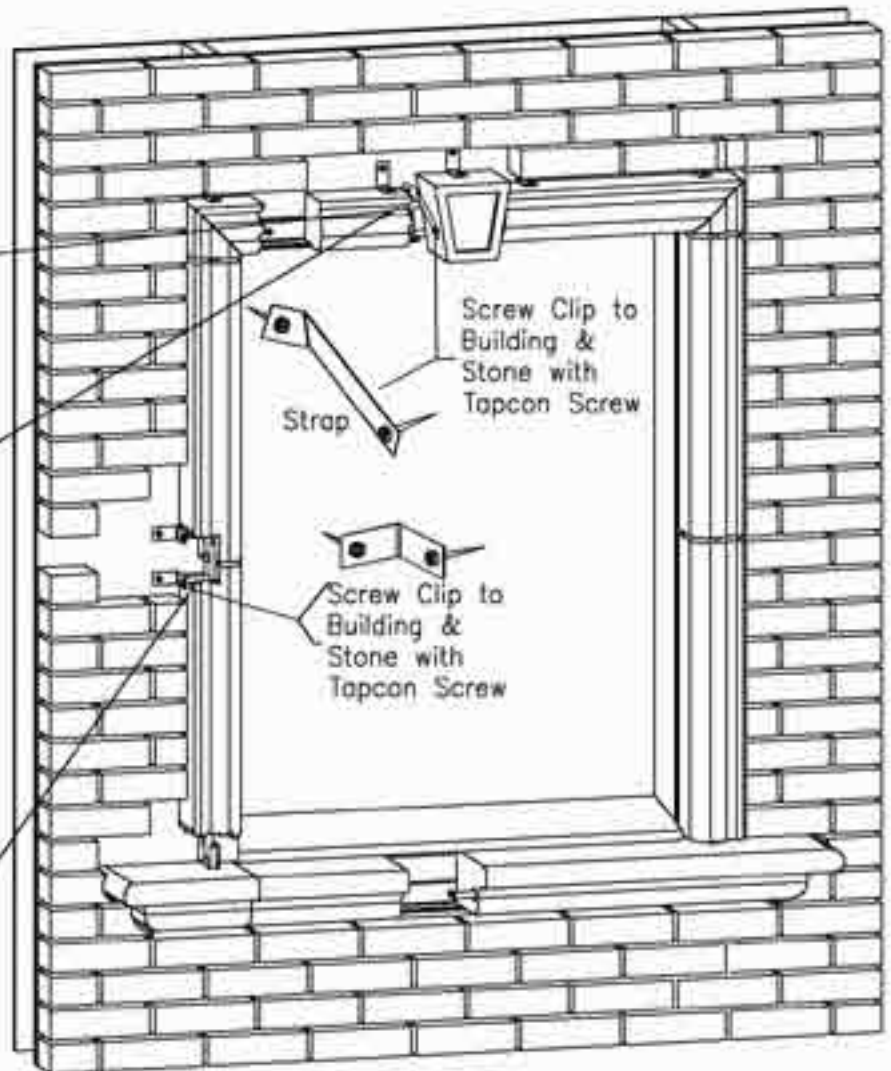
Note: The requirements for attaching stone to structures, varies among the different States. A certified engineer that is familiar with the Geologic Seismic & Climatic conditions of your area must determine the best method for attaching the stone to the structure. The stone supplier is not responsible for providing information on attachment methods and can only provide suggested attachment methods. These suggested methods are well known and have been used throughout the industry.



1 **Keystone to Wood**  
Clips must be hidden by Brick



2 **Stone to Wood**  
Clips must be hidden by Brick



3 **Window Surround Installation Assy.**

SCALE: 3/4" = 1'-0"

DEVELOPMENT DRAWING

TITLE: Attachments & Interfaced to Wood/Brick. Win. SQ.Top

DRAWING DETAIL: MULTIVIEWS

DESCRIPTION: Square Top Window Surround

NOTES:

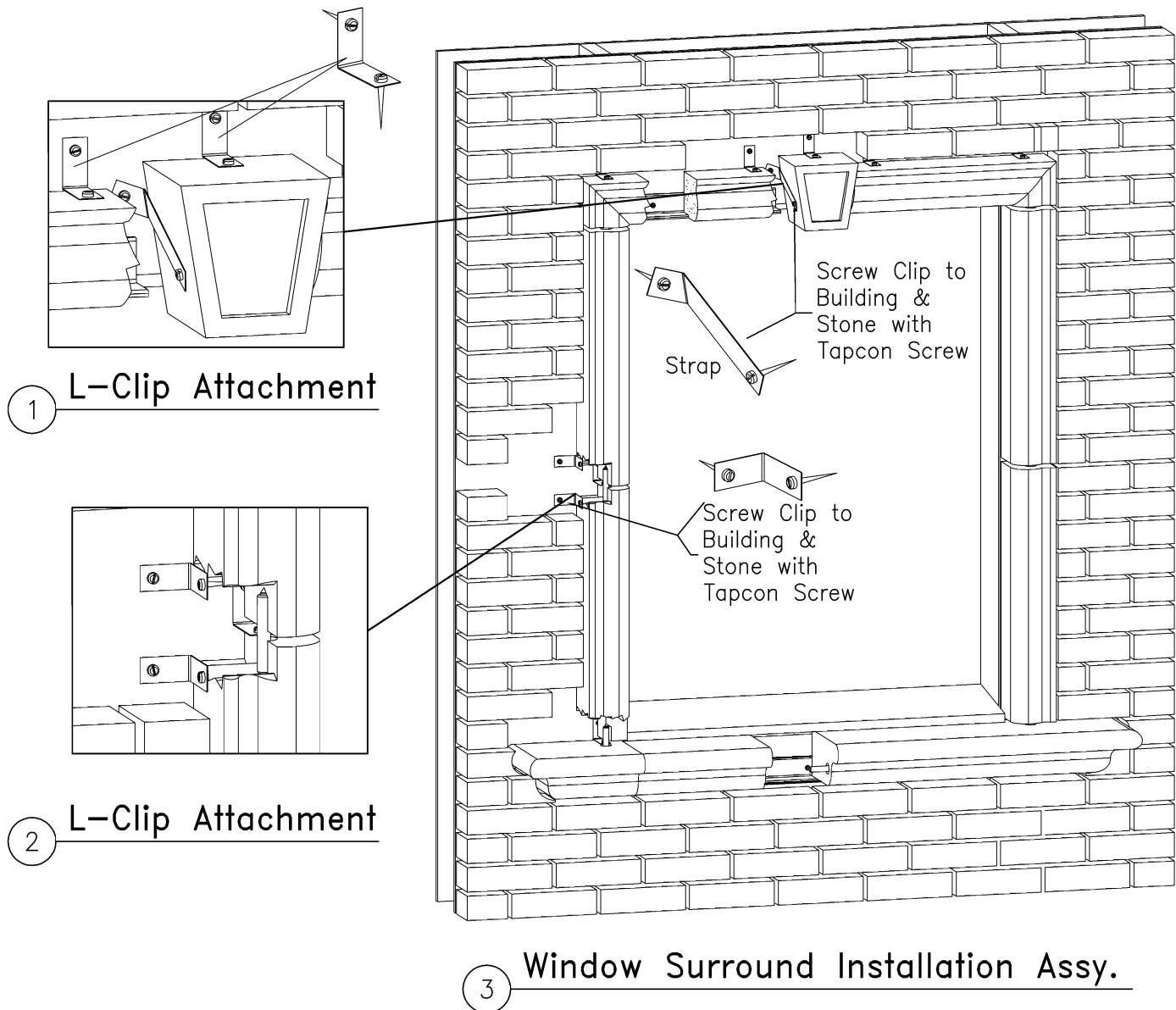
<input checked="" type="checkbox"/>	Type Drawing
<input checked="" type="checkbox"/>	Attachments & Interfaced to: (Type Building)
<input type="checkbox"/>	Design Options
<input type="checkbox"/>	Flashing Details
<input type="checkbox"/>	Cutting & Fitting Details
<input type="checkbox"/>	Building Code
<input type="checkbox"/>	Measuring

DATE: 06/24/2003

DRAWING #: SQTWINREV: 1

# Interface & Attachments drawing. Sq. Top Win. to Wood/Brick with Clips

Note: The requirements for attaching stone to structures, varies among the different States. A certified engineer that is familiar with the Geologic Seismic & Climatic conditions of your area must determine the best method for attaching the stone to the structure. The stone supplier is not responsible for providing information on attachment methods and can only provide suggested attachment methods. These suggested methods are well known and have been used throughout the industry.



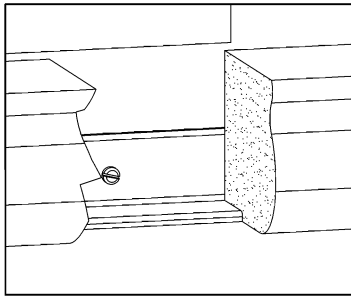
SCALE: 3/4" = 1'-0"

	<b>SUBMITTAL UNIT</b>	<b>TITLE: WINDOW SURROUND</b>	
	DRAWING DETAIL: <b>FRONT VIEW</b>	AREA ABV: <b>WSR</b>	
	DESCRIPTION:	UNIT MARK:	
	REFERENCE PLAN PLACEMENT DRAWING #'S:	UNIT ABV: <b>WSR</b>	
	PROJECT:	QUANTITY:	
	CLIENT:	COLOR: <b>TAN /WHITE /BUFF</b>	
	<b>STONE LEGENDS</b>		JOB #:
			SUBMITTAL #:
	301 Pleasant Drive - Dallas, TX 75217		RELEASED DATE:
	Voice (800) 398-1199 - Fax (214) 398-1293		DRAWING #: <b>SQTWINREV: 0</b>

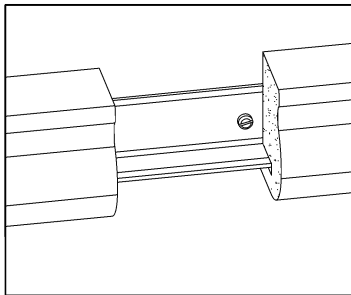


# Interface & Attachments dwg. Sq. Top Win. to Wood/Brick with Lintel

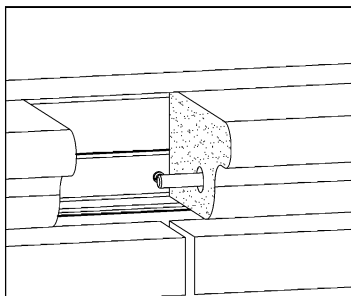
Note: The requirements for attaching stone to structures, varies among the different States. A certified engineer that is familiar with the Geologic Seismic & Climatic conditions of your area must determine the best method for attaching the stone to the structure. The stone supplier is not responsible for providing information on attachment methods and can only provide suggested attachment methods. These suggested methods are well known and have been used throughout the industry.



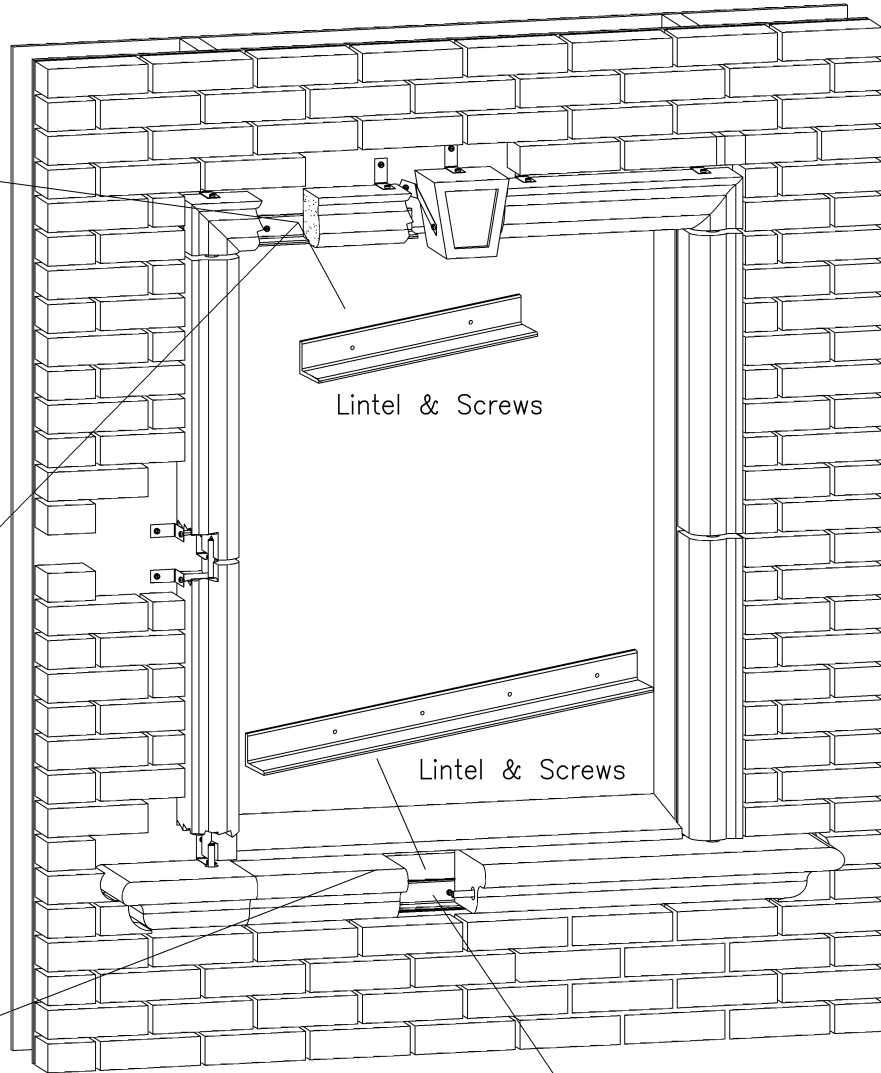
Example shown of under cut stone to house lintel.  
[Note: Lintel is visible from below]



Example shown of Blind Lintel.  
Stone is cut in the back to hide the lintel.



**NOTE:**  
Sill sits on top of Lintel.  
Lintel is only required in a Stone First assembly.  
No stone cutting required

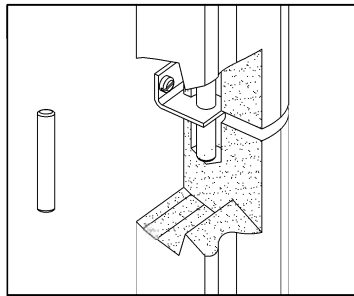


SCALE: 3/4" = 1'-0"

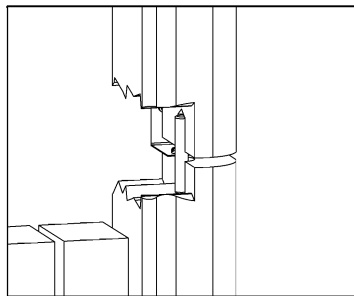
<b>SUBMITTAL UNIT</b>	<b>TITLE: WINDOW SURROUND</b>	
DRAWING DETAIL: <b>FRONT VIEW</b>	AREA ABV: <b>WSR</b>	
DESCRIPTION:	UNIT MARK:	
REFERENCE PLAN PLACEMENT DRAWING #'S:	UNIT ABV: <b>WSR</b>	
PROJECT:	QUANTITY:	
CLIENT:	COLOR: <b>TAN /WHITE /BUFF</b>	
<b>STONE LEGENDS</b>		JOB #:
		SUBMITTAL #:
301 Pleasant Drive - Dallas, TX 75217 Voice (800) 398-1199 - Fax (214) 398-1293		RELEASED DATE:
		DRAWING #: <b>SQTWINREV: 0</b>

# Interface & Attachments dwg. Sq. Top Win. -Wood/Brick - Pins & Wire

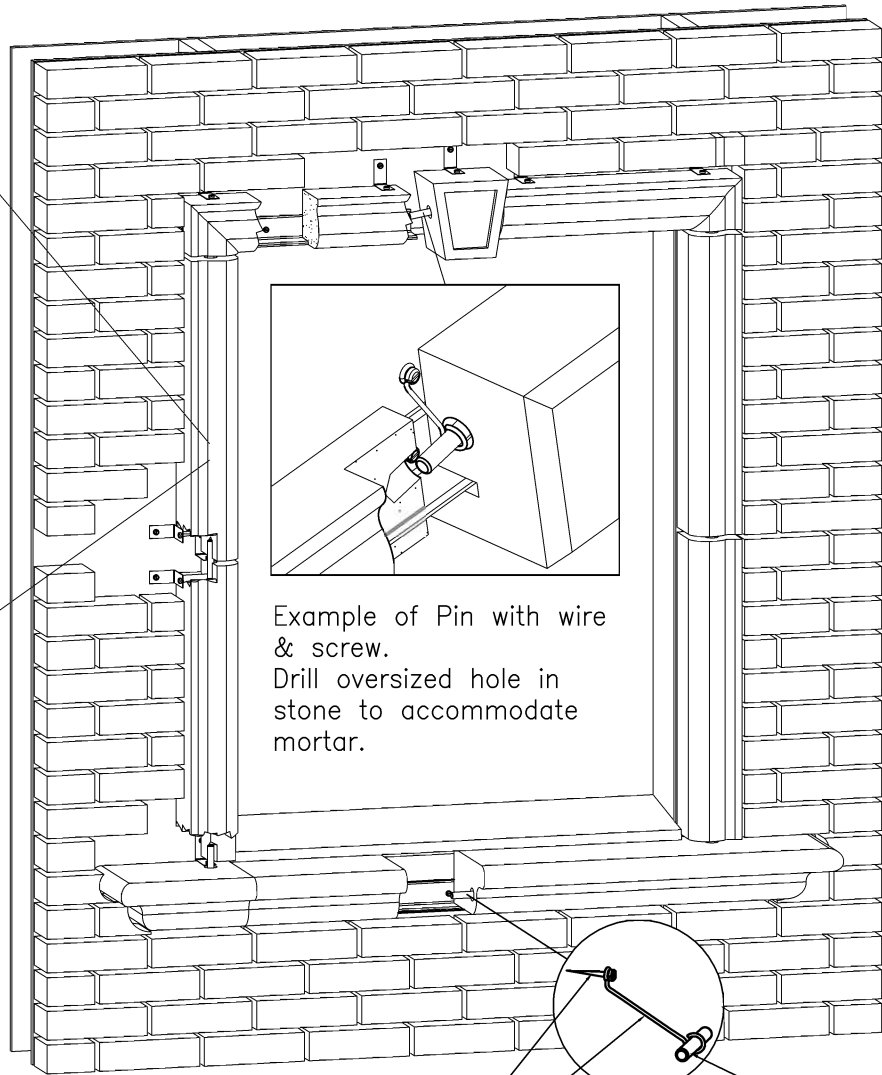
Note: The requirements for attaching stone to structures, varies among the different States. A certified engineer that is familiar with the Geologic Seismic & Climatic conditions of your area must determine the best method for attaching the stone to the structure. The stone supplier is not responsible for providing information on attachment methods and can only provide suggested attachment methods. These suggested methods are well known and have been used throughout the industry.



Example of Pin with Clip  
screwed to wood.  
Steel pin measures App.  $\frac{1}{2}$ " Dia. x 3" Long.  
Drill oversized hole in stone to accommodate mortar.



Example of Pin.  
Steel pin measures App.  $\frac{1}{2}$ " Dia. x 3" Long.  
Drill oversized hole in stone to accommodate mortar.



Example of Pin with wire & screw.  
Drill oversized hole in stone to accommodate mortar.

Screw to wood — Pin  
Wire —

SCALE:  $\frac{3}{4}$ " = 1'-0"

<b>SUBMITTAL UNIT</b>		<b>TITLE: WINDOW SURROUND</b>	
DRAWING DETAIL: <b>FRONT VIEW</b>		AREA ABV: <b>WSR</b>	
DESCRIPTION:		UNIT MARK:	
REFERENCE PLAN PLACEMENT DRAWING #'S:		UNIT ABV: <b>WSR</b>	
PROJECT:		QUANTITY:	
CLIENT:		COLOR: <b>TAN /WHITE /BUFF</b>	
<b>STONE LEGENDS</b>		JOB #:	
		SUBMITTAL #:	
301 Pleasant Drive - Dallas, TX 75217		RELEASED DATE:	
Voice (800) 398-1199 - Fax (214) 398-1293		DRAWING #: <b>SQTWINREV: 0</b>	

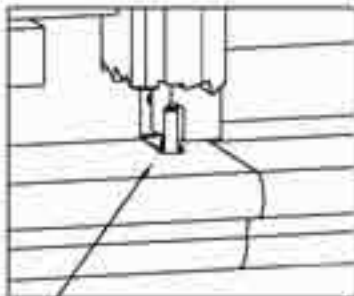
# Attachments & Interfaced to Wood/Brick. Windows SQ. Top using Pins & Wire

Note: The requirements for attaching stone to structures, varies among the different States. A certified engineer that is familiar with the Geologic Seismic & Climatic conditions of your area must determine the best method for attaching the stone to the structure. The stone supplier is not responsible for providing information on attachment methods and can only provide suggested attachment methods. These suggested methods are well known and have been used throughout the industry.



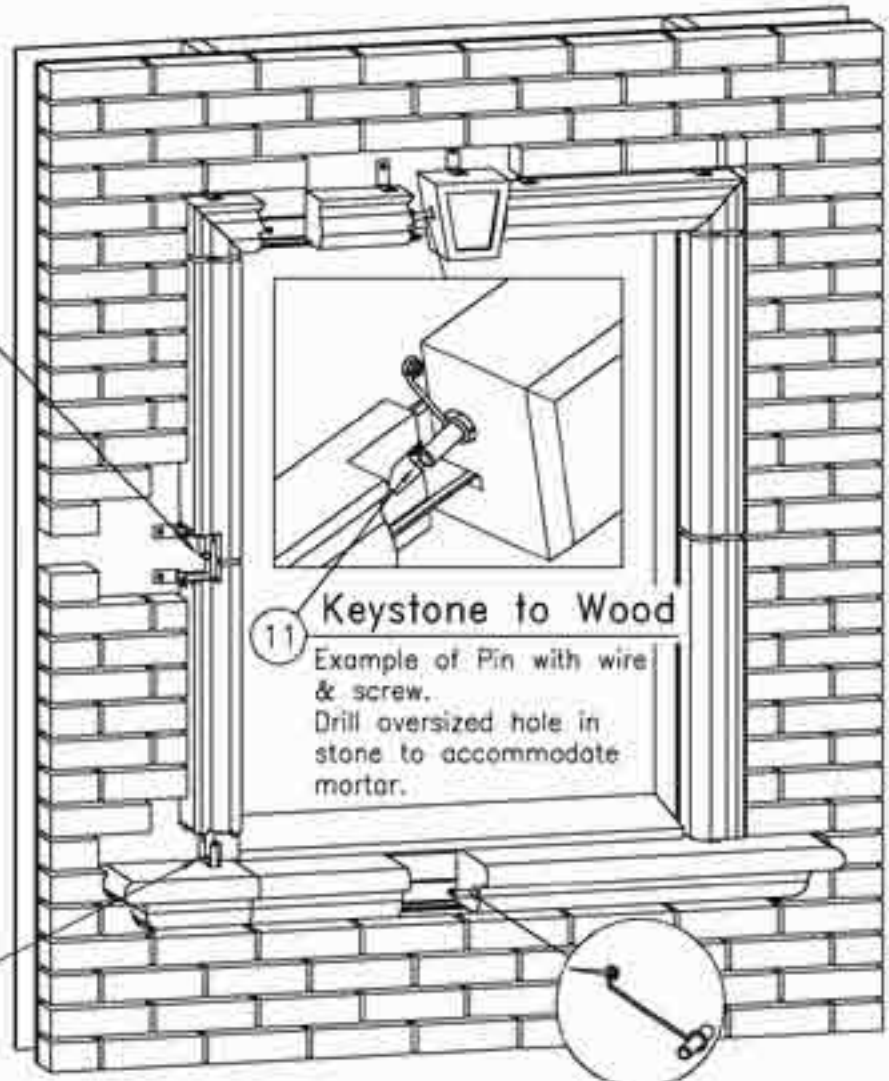
## 10 Stone to Wood

Example of Pin with Clip screwed to wood.  
Steel pin measures App.  $\frac{3}{8}$ " Dia. x 3" Long.  
Drill oversized hole in stone to accommodate mortar.



## 9 Sill to Surround

Example of Pin.  
Steel pin measures App.  $\frac{3}{8}$ " Dia. x 3" Long.  
Drill oversized hole in stone to accommodate mortar.



## 11 Keystone to Wood

Example of Pin with wire & screw.  
Drill oversized hole in stone to accommodate mortar.

## 8 Sill to Surround

Using Pin, Wire & Screws

SCALE: NTS.

DEVELOPMENT DRAWING

TITLE: Attachments & Interfaced to Wood/Brick. Win. SQ.Top

DRAWING DETAIL: MULTIVIEWS

DESCRIPTION: Square Top Window Surround

NOTES:

<input checked="" type="checkbox"/>	Type Drawing
<input checked="" type="checkbox"/>	Attachments & Interfaced to: (Type Building)
<input type="checkbox"/>	Design Options
<input type="checkbox"/>	Flashing Details
<input type="checkbox"/>	Cutting & Fitting Details
<input type="checkbox"/>	Building Code
<input type="checkbox"/>	Measuring

DATE: 06/24/2003

DRAWING #: SQTWINREV: 1