

NOTE: FRONT TERRACE NOT SHOWN FOR CLARITY

PER ARCHITECTUR SHOP DRAWINGS.

2
BE05

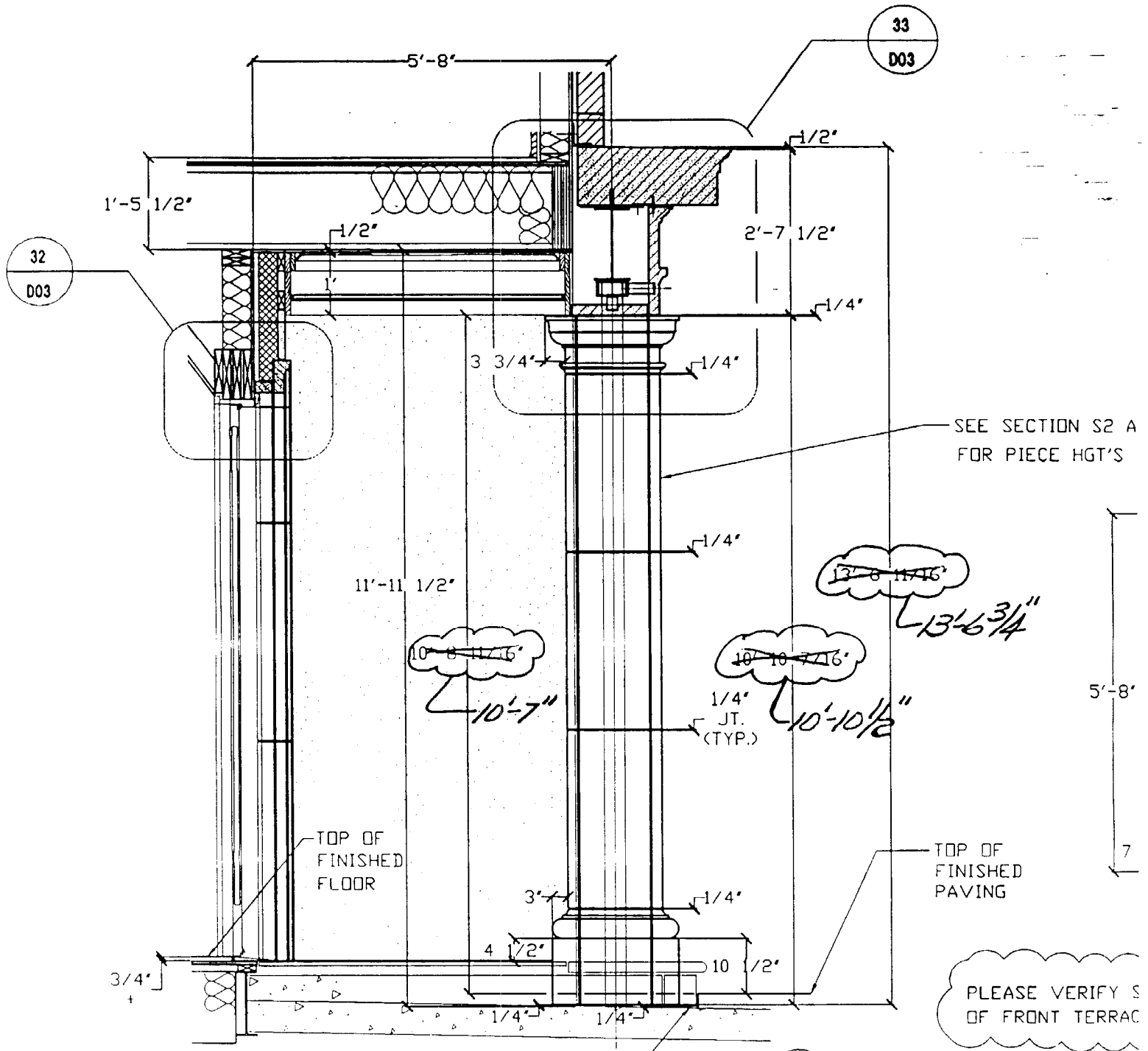
**SOUTH ELEVATION @ PORTICO
MAIN ENTRY**

SCALE: 3/4" = 1'-0"

RECEIVED
BY:

PAGE # 110F29

(1) TOTAL REQ'D



SEE SECTION S2 A
FOR PIECE HGT'S

~~13'-8 11/16"~~
13'-6 3/4"

~~10'-8 1/16"~~
10'-7"

~~10'-10 1/16"~~
10'-10 1/2"

1/4"
JT.
(TYP.)

PLEASE VERIFY S
OF FRONT TERRAC

6" DEEP X 5 7/8"
HIGH @ MID. POINT
CASTSTONE RISER

PENDING CHANGE
ORDER APPROVAL

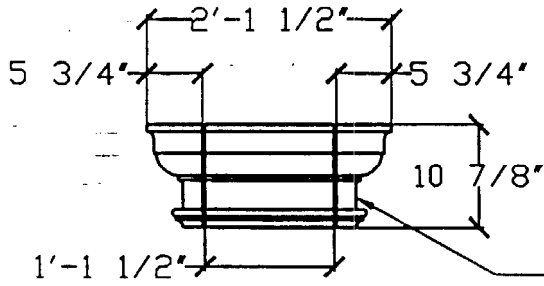
PAGE # 120FC29

RECEIVED
BY: _____

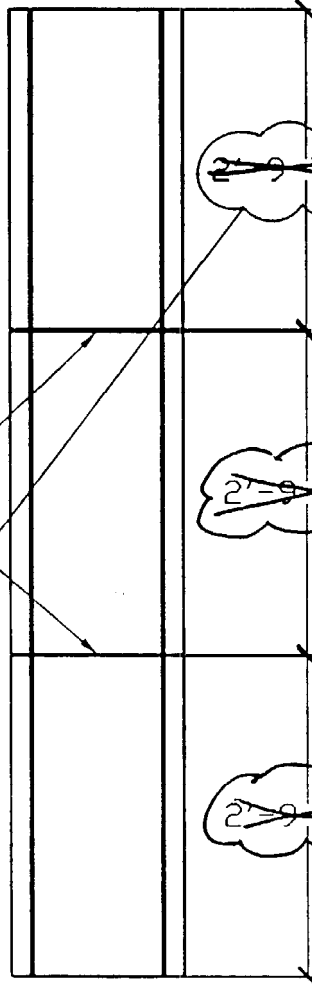
ST
BE05

SECTION THRU PORTICO
MAIN ENTRY

SCALE: 3/4" = 1'-0"



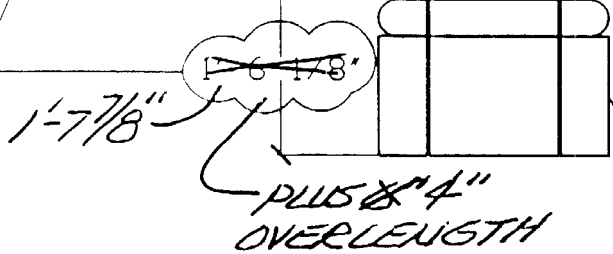
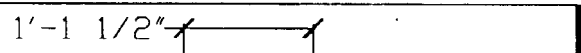
SEE HALF SIZE
DETAIL 17/PF03



JOINTS CONTINUE
AROUND PIER

PIECE ORDERED
OVERLENGTH FOR
FIELD CUTTING

P4
BE05



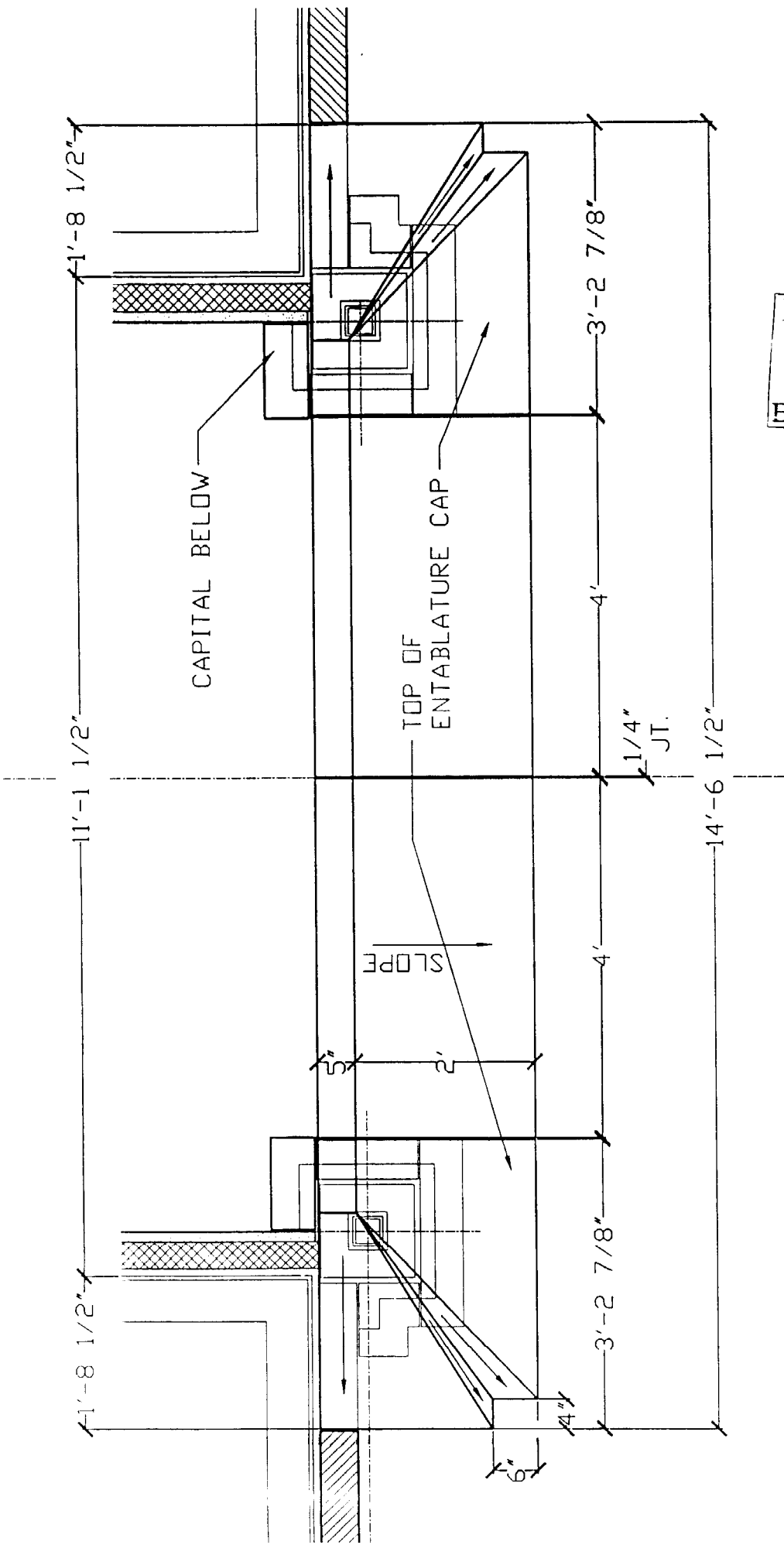
SEE HALF SIZE
DETAIL 19/PF03

RECEIVED
MAY 30 2003
BY:

SECTION @ PIER
INDICATING PC. HGT'S

S2
BE05

SCALE: 3/4" = 1'-0"



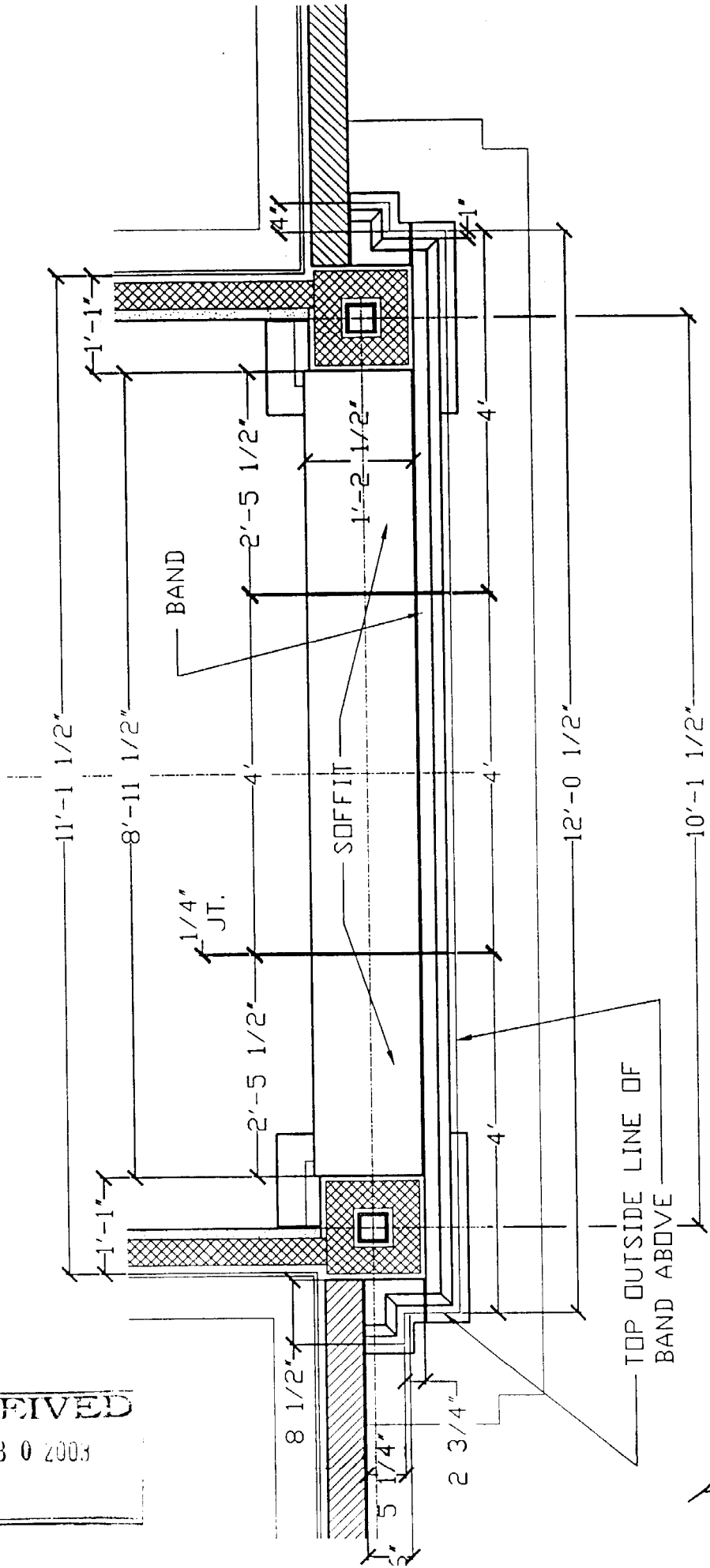
RECEIVED
MAY 30 2003
BY:

PLAN OF ENTABLATURE
CAP @ PORTICO MAIN ENTRY

P3
BE06

SCALE: 3/4" = 1'-0"

RECEIVED
 MAY 30 2003
 BY:

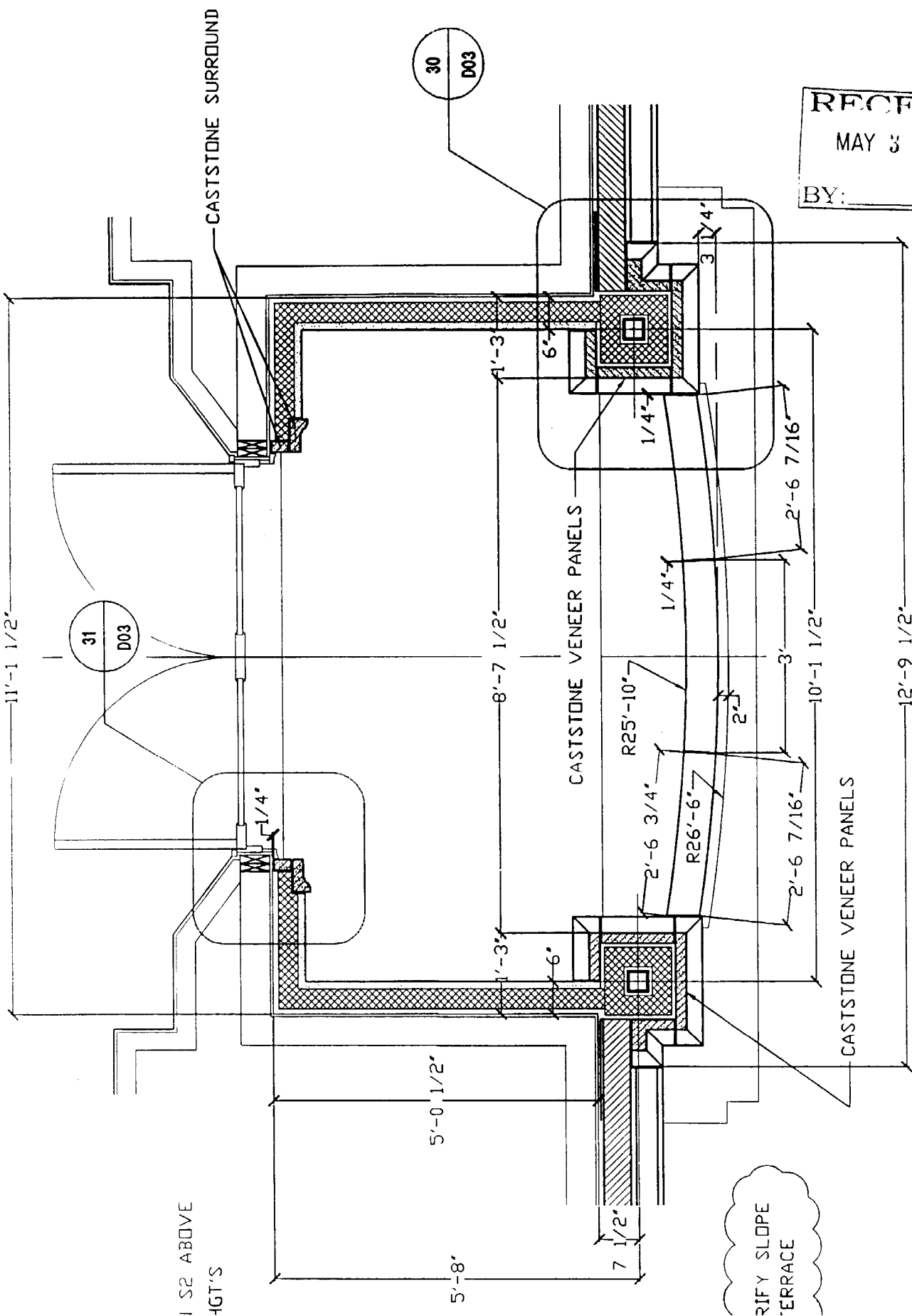


**PLAN OF SOFFIT & BAND
 @ PORTICO MAIN ENTRY**

P2
 BE06

SCALE: 3/4" = 1'-0"

RECEIVED
 MAY 30 2003
 BY: _____

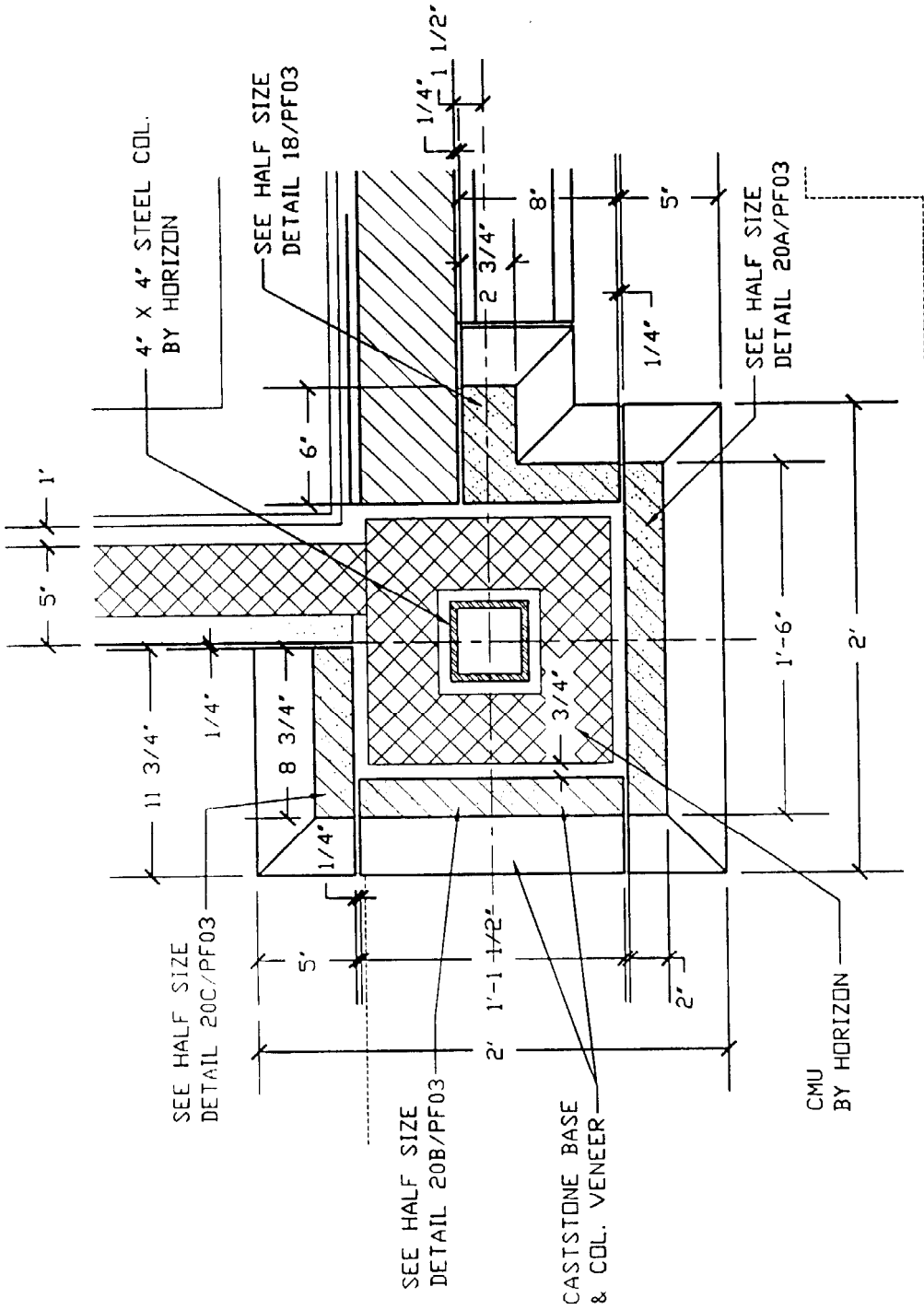


**PLAN @ SOUTH PORTICO
 MAIN ENTRY**

P1
 BE05

SCALE: 3/4" = 1'-0"

GE
 'AL



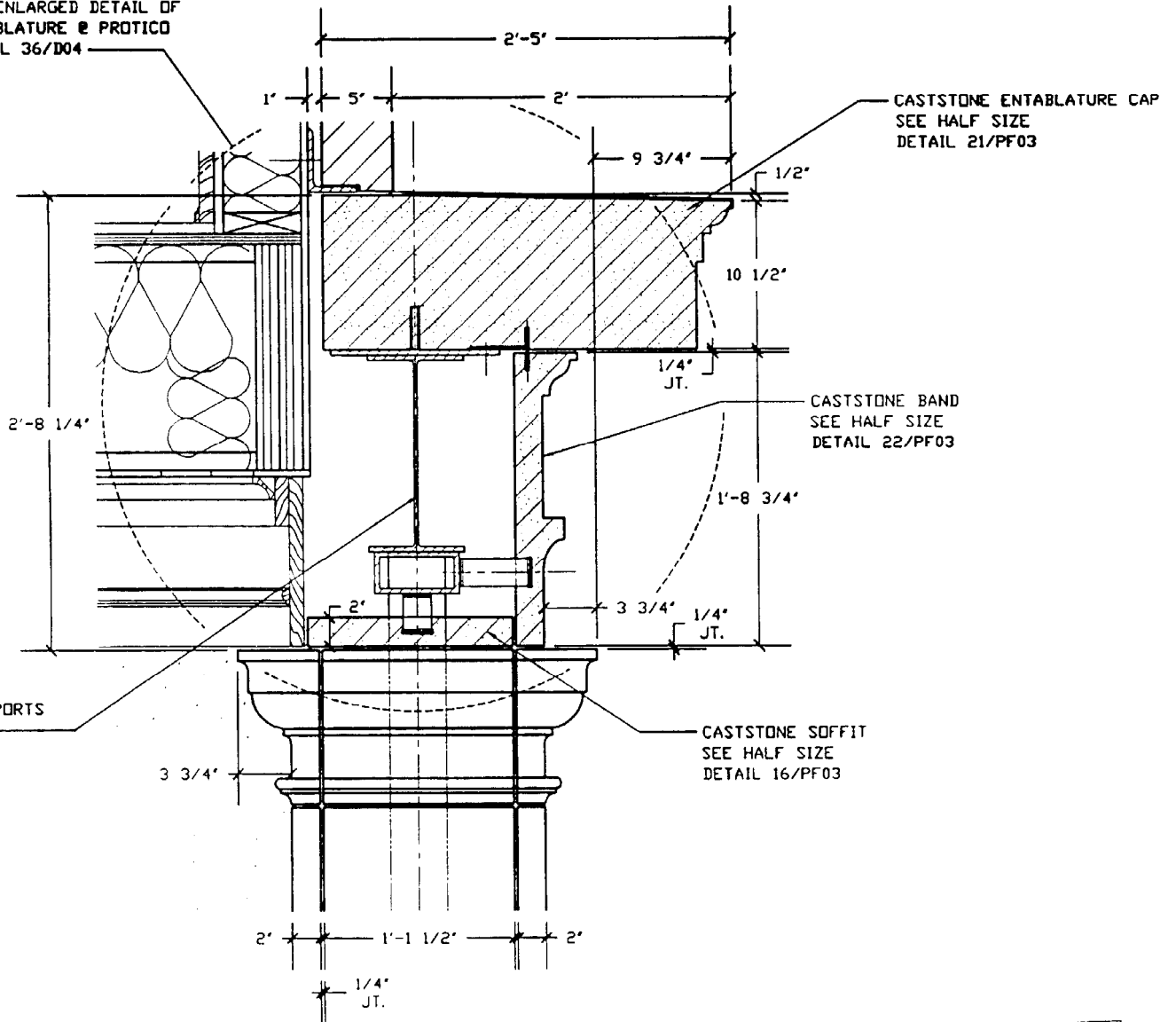
DETAIL OF PIER @ PORTICO

SCALE: 1 1/2" = 1'-0"

30
D03

RECEIVED
MAY 30 2003
BY:

SEE ENLARGED DETAIL OF
ENTABLATURE @ PORTICO
DETAIL 36/D04



CASTSTONE ENTABLATURE CAP
SEE HALF SIZE
DETAIL 21/PF03

CASTSTONE BAND
SEE HALF SIZE
DETAIL 22/PF03

CASTSTONE SOFFIT
SEE HALF SIZE
DETAIL 16/PF03

ALL STEEL SUPPORTS
BY HORIZON

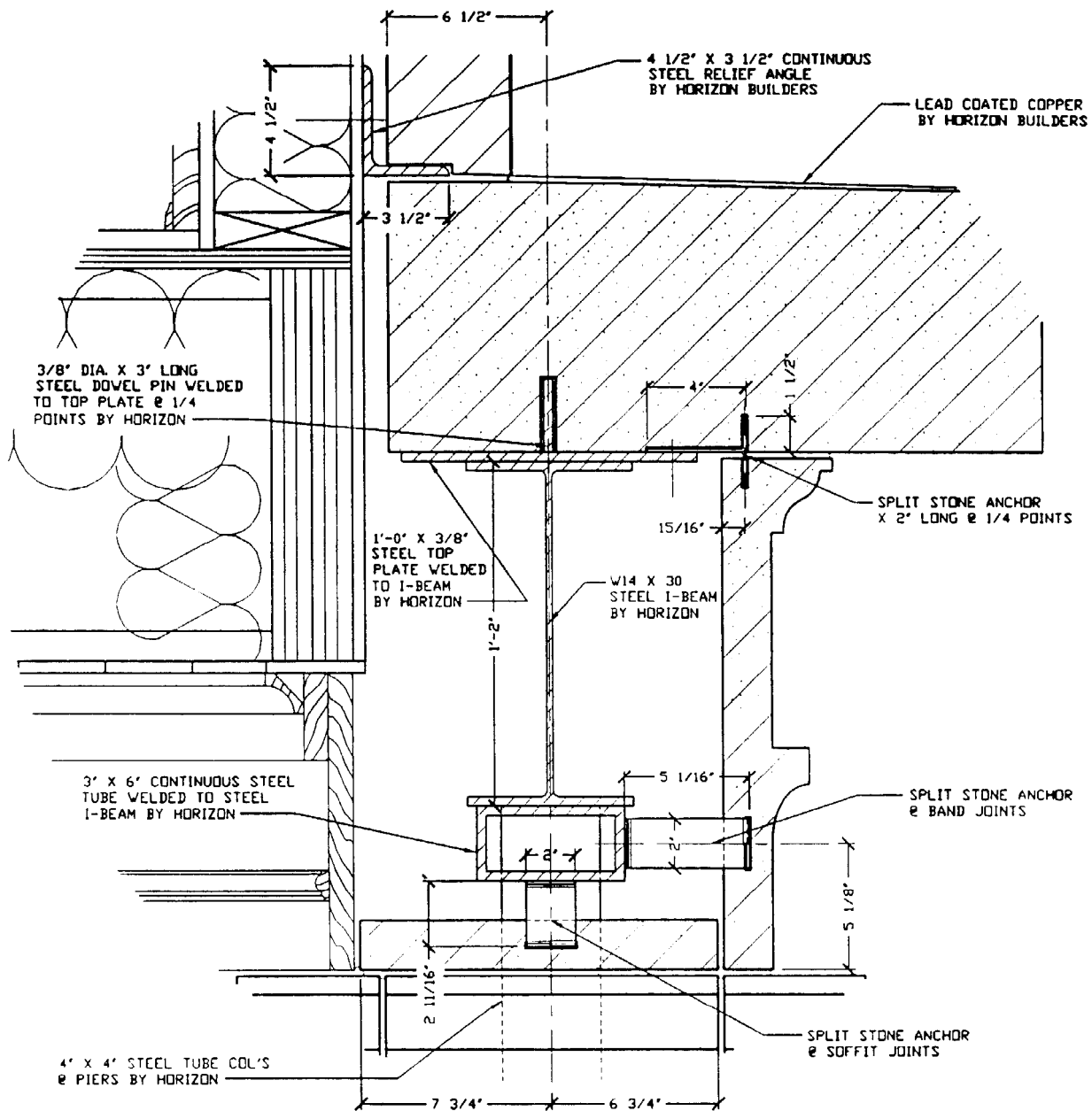
RECEIVED
MAY 30 2003
BY:

DETAIL OF ENTABLATURE @ PORTICO

33
D03

SCALE: 1/2" = 1'-0"

DREF # 192729



NOTE: ALL CUTS IN CASTSTONE FOR ANCHORS TO BE DONE IN FIELD

RECEIVED
MAY 30 2003
BY:

36
D04

ENLARGED DETAIL OF ENTABLATURE @ PORTICO

SCALE: 3" = 1'-0"

PAGE # 20 OF 29