

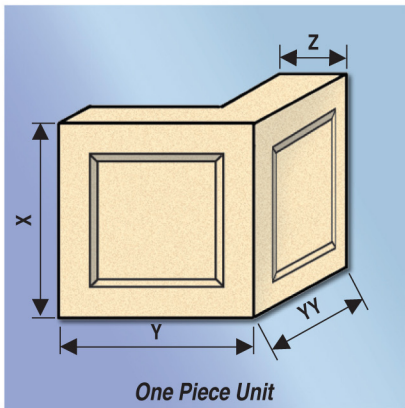
# Quoins Legend

## Organization Guide

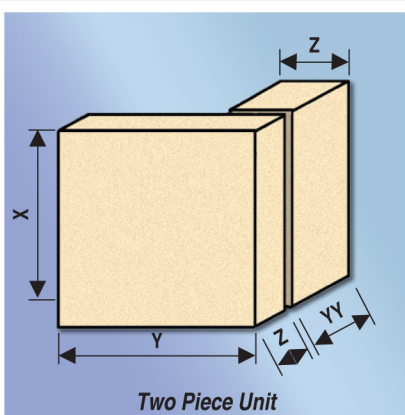
- Type Description
- Primary View
- Surname / Profile
- Dimension

Listed below are available catalog options as shown in this chapter. Refer to page 6 for a complete list of available TypeDescriptions, PrimaryViews and Modifiers.

Product Groups	Type Descriptions	Primary Views	Modifiers
Quoins	Quoins	OnePiece TwoPiece	90Degree



Profile options, like the chamfer recess above, give added visual depth and unlimited design possibilities. Tracery, ropes, and flora are just a few custom options to add dramatic differences to your quoins. Upcharges apply to custom units.



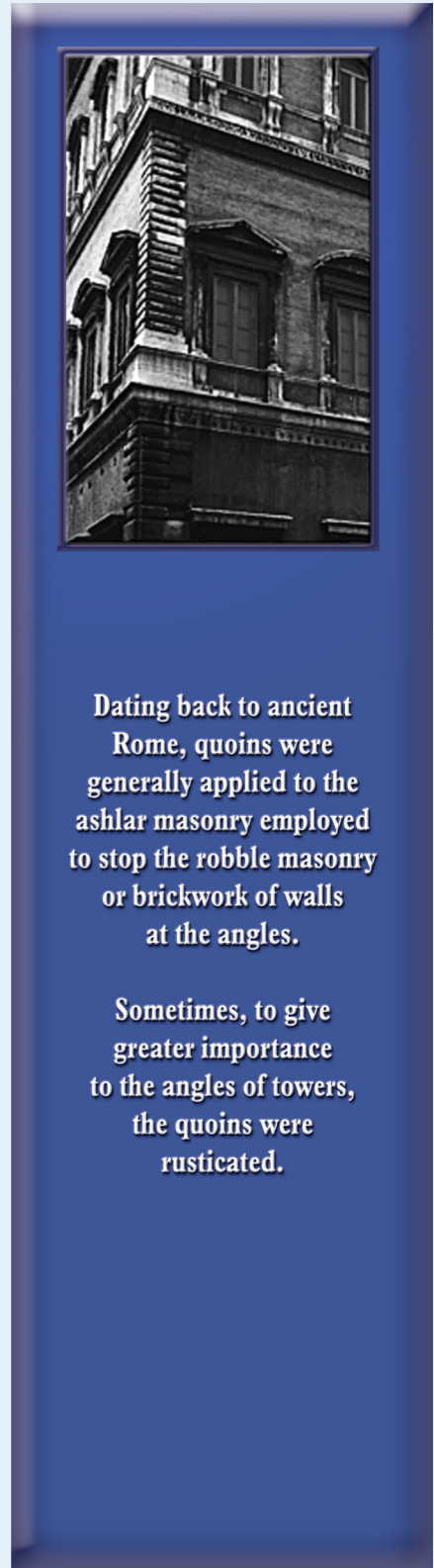
Also known as corner stones, quoins add sophistication to any design. Our quoins are available either flat or chamfered, in one-piece or two-piece 90° corner designs. In addition, quoins may be on one face only or wrap the corner for both. The depth of your quoin will be determined by your building material—for instance brick and stone require deeper quoins than does stucco. The height and width will be determined by your style, typically by your architect. We have many standard sizes available, but customizing is always an option.

- X** = Maximum height of the quoin face (elevation).
- Y** = Maximum length of the quoin 90° to the visual face (elevation).
- Z** = Maximum depth of the quoin 90° perpendicular to the visual face (plan view).
- YY** = Side leg length perpendicular to the face length.

### Pricing Legend

Quoin costs are calculated based on an **Each Unit Basis**.

Refer to the **Stone Legends Pricing Legend**, located as an insert at the back of the catalog, for more information on calculating stone costs for catalog units.



Dating back to ancient Rome, quoins were generally applied to the ashlar masonry employed to stop the rubble masonry or brickwork of walls at the angles.

Sometimes, to give greater importance to the angles of towers, the quoins were rusticated.