



ENTRIES

GRAND STAIR

QUOINS

WALL VENEER

THE
FIRST
IMPRESSION

STONE LEGENDS



First Impressions
make a difference!

www.stonelegends.com



Company
History



FAQ's



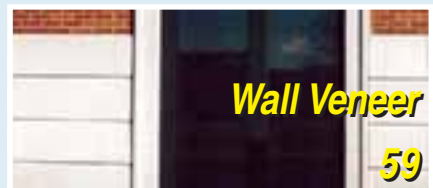
Product
Information

Visit us on the web

STONE LEGENDS

301 Pleasant Drive • Dallas, TX 75217
(800) 398-1199 • FAX (214) 398-1293
www.stonelegends.com • sales@stonelegends.com

First Impressions Legend



301 Pleasant Drive • Dallas, TX 75217
 (800) 398-1199 • FAX (214) 398-1293
 www.stonelegends.com • sales@stonelegends.com

STONE LEGENDS

Entry Legend



As Rome expanded, embracing the experiences of the Hellenistic world, porticos became a part of the urban landscape. The technique of building with cast stone was perfected during this period.

Our entries will welcome you and your guests into your home. Their classical designs make them appropriate for any environment. Entries can be as simple or as elaborate as desired and can include columns, pilasters, face stone, profiled surrounds, entablatures, and balustrade.

The choice is yours, to express your taste in your home. This section of the catalog is designed to spark your imagination. You can use any of the existing entries shown on the following

pages, combine elements from different entries or have us design something unique to suit you and your project.

Many of the flat entries are great as an interior door units too, single- or double-faced!

Think of this – when someone rings your doorbell, you will want them to be impressed by exceptional quality stone they can see and touch. Add one of our Entry Units to your project now!

Entry Unit Styles

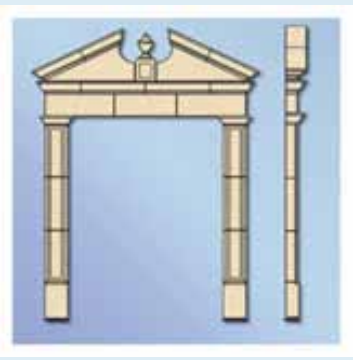
Stone Legends currently offers a wide variety of Entries, in many styles from classical shapes to a more ornate, baroque appearance. A few have optional sizes available and some can be modified in height and/or width to fit your project.

Shown on this chapter are only a few of those currently available, many with actual photos of installed units. The drawings are not to a specific scale.

For ease of use, we have categorized our entries into four styles:

Flat Entry

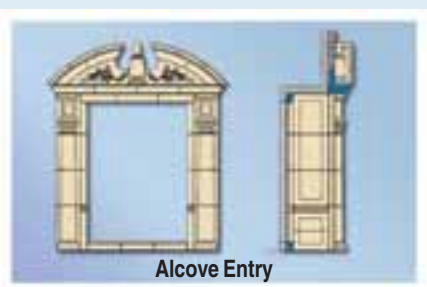
Entries attached directly to your structure, with minimal projection. They may or may not include door jambs or soffit returns.



Flat Entry

Recess or Alcove Entry

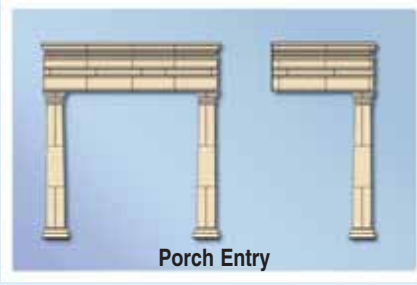
Entries that stand out from the face of the building, some by as much as 3 feet or more, but are not classified as porticos.



Alcove Entry

Porch / Portico Entry

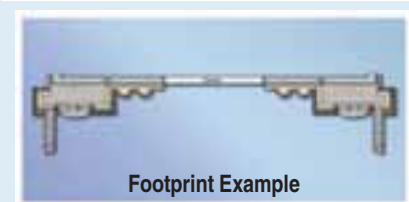
Entries that stand out from the face of the building, supporting roofs or balconies.



Porch Entry

Full Facade Entry

Entries using stone facing for all or most of the front wall surface area. Since these are highly technical, we recommend contacting us as early in the building design process as possible.



Footprint Example

STONE LEGENDS

301 Pleasant Drive • Dallas, TX 75217
 (800) 398-1199 • FAX (214) 398-1293
www.stonelegends.com • sales@stonelegends.com

Entry Legend



Organization Guide

- Type Description
- Primary View
- Surname / Profile
- Dimension

Listed below are available catalog options as shown in this chapter. Refer to page 6 for a complete list of available TypeDescriptions, PrimaryViews and Modifiers.

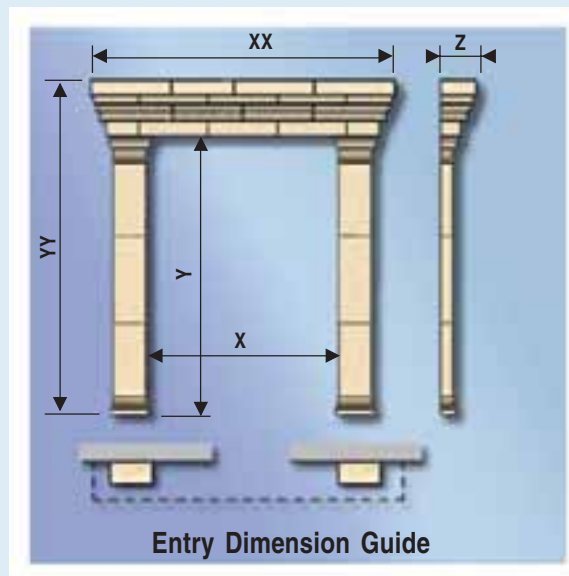
Product Groups	Type Descriptions	Primary Views	Modifiers
Entries	Entry	CircleTop SquareTop Eyebrow Palladium GothicArch CircleTopTriple EllipticalTop Pediment Portico FullFacade Alcove	Balustrade Bracket CircleTop Column Pilaster Dentil Doublesided Entablature Eyebrow Key Leg Niche Ornament Panel Pediment Quoins Wings

Pricing Legend

Entry costs are calculated based on an **Each Unit Basis**.

Refer to the **Stone Legends Pricing Legend**, located as an insert at the back of the catalog, for more information on calculating stone costs for catalog units.

Drawings occasionally include optional material, or items furnished by others. Adjustments and substitutions are possible in many cases, and are indicated on each entry. Alterations may involve additional charges.



- X** Width of a unit. A control dimension.
- XX** Overall maximum width of a unit.
- Z** Maximum depth of stone in a unit.
- Y** Height of a unit. A control dimension.
- YY** Overall maximum height of a unit.
- R** Radius of a unit.
- B** Rise of an unit. For instance the interior height of an entry that is not a true half circle.

301 Pleasant Drive • Dallas, TX 75217
 (800) 398-1199 • FAX (214) 398-1293
 www.stonelegends.com • sales@stonelegends.com

STONE LEGENDS

An Entry is the primary passage that affords entry into a building.

The Boxwood Manor (Unit ID 60) will make that passage a grand delight.



Boxwood Manor Entablature

Unit ID 60

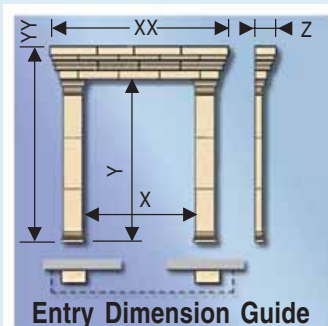
Flat Entry by

STONE LEGENDS



Recess Scroll

Unit ID 125



Type Description	Primary View	View Modifiers	Sumame
Entry	Eyebrow	Pilaster Entablature	Boxwood Manor

	X	Z	Y	XX	ZZ	YY	R	RR	Unit ID	Cost Factor	Weight
Boxwood Manor	53 ³ / ₈ "	16 ¹ / ₈ "	119 ³ / ₈ "	189 ¹ / ₄ "	-	186 ³ / ₄ "	72"	-	60	217200	8000

Type Description	Primary View	View Modifiers	Sumame
Entry	Square Top	Bracket Leg Ornament	Recess Scroll

	X	Z	Y	XX	ZZ	YY	R	RR	Unit ID	Cost Factor	Weight
Recess Scroll	96"	26 ¹ / ₂ "	96"	136"	-	129 ¹ / ₄ "	-	-	125	171000	7617

301 Pleasant Drive • Dallas, TX 75217
 (800) 398-1199 • FAX (214) 398-1293
 www.stonelegends.com • sales@stonelegends.com

STONE LEGENDS

The **Pendleton Crest** (Unit ID 780) displays the perfect combination of classic simplicity and definitive elegance.



Gunter Hill *Unit ID 130*



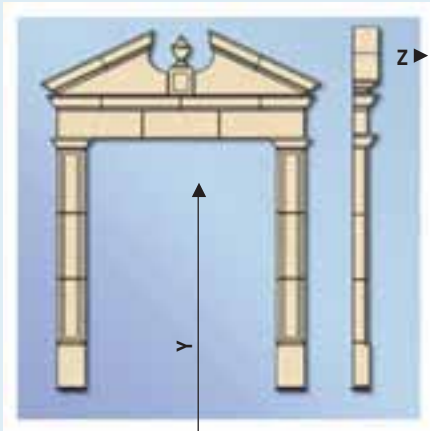
Pendleton Crest *Unit ID 780*



Greco Classico Flute *Unit ID 177*

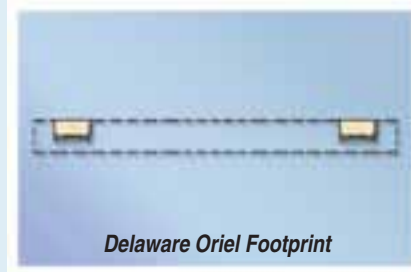
Flat Entry by
STONE LEGENDS

Flat Entry



Delaware Oriel

Unit ID 626



Delaware Oriel Footprint



Greco Classico Smooth
Unit ID 1344

Type Description	Primary View	View Modifiers							Sumame		
Entry	Square Top	Pilaster							Gunter Hill		
	X	Z	Y	XX	ZZ	YY	R	RR	Unit ID	Cost Factor	Weight
Gunter Hill	68"	13"	109"	111 ³ / ₄ "	6 ³ / ₄ "	139 ¹ / ₂ "	-	-	130	169250	2500

Type Description	Primary View	View Modifiers							Sumame		
Entry	Square Top	Pilaster Entablature Pediment Ornament Wing							Pendleton Crest		
	X	Z	Y	XX	ZZ	YY	R	RR	Unit ID	Cost Factor	Weight
Pendleton Crest	78 ¹ / ₂ "	19"	144"	152 ⁵ / ₈ "	12 ¹ / ₈ "	198"	-	-	780	267500	10954


Type Description	Primary View	View Modifiers							Sumame		
Entry	Square Top	Pilaster Ornament Pediment							Delaware Oriel		
	X	Z	Y	XX	ZZ	YY	R	RR	Unit ID	Cost Factor	Weight
Delaware Oriel	87 ¹ / ₄ "	11"	110"	126 ⁵ / ₈ "	7"	156 ³ / ₄ "	-	-	626	186300	4500

Type Description	Primary View	View Modifiers							Sumame		
Entry	Square Top	Balustrade Pilaster Entablature Smooth							Greco Classico		
	X	Z	Y	XX	ZZ	YY	R	RR	Unit ID	Cost Factor	Weight
GrecoClassico	88"	9 ¹¹ / ₁₆ "	96"	117"	-	147 ¹ / ₈ "	-	-	1344	145000	2650

Type Description	Primary View	View Modifiers							Sumame		
Entry	Square Top	Balustrade Pilaster Entablature Flute							Greco Classico		
	X	Z	Y	XX	ZZ	YY	R	RR	Unit ID	Cost Factor	Weight
GrecoClassico	88"	9 ¹¹ / ₁₆ "	96"	117"	-	147 ¹ / ₈ "	-	-	177	165000	2650

301 Pleasant Drive • Dallas, TX 75217
 (800) 398-1199 • FAX (214) 398-1293
 www.stonelegends.com • sales@stonelegends.com

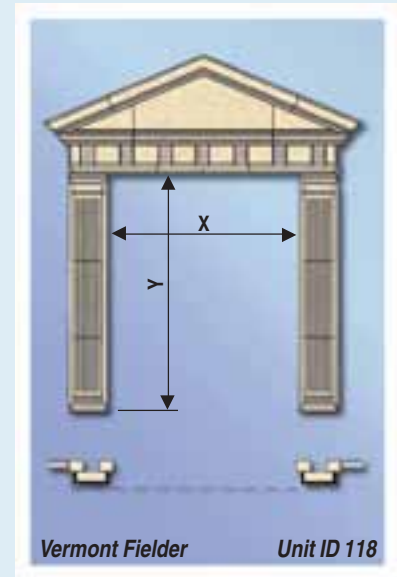
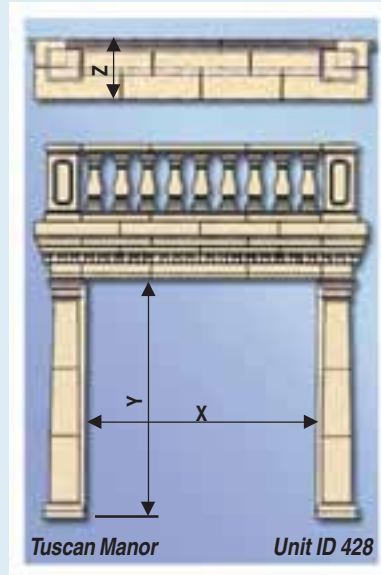
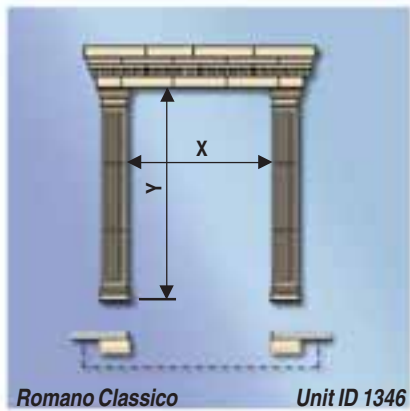
STONE LEGENDS



The Tuscan
Classic (Unit
ID 175)
provides an
elegant accent
without
overstating its
casual style.

Flat Entry by

STONE LEGENDS



Type Description	Primary View	View Modifiers							Surname		
Entry	Square Top	Pilaster Entablature							Romano Classico		
	X	Z	Y	XX	ZZ	YY	R	RR	Unit ID	Cost Factor	Weight
Romano Classico	80"	12 1/2"	123"	131"	-	147"	-	-	1346	122250	3150
Romano Classico	72"	12 1/2"	114"	123"	-	138"	-	-	15330	113636	2835

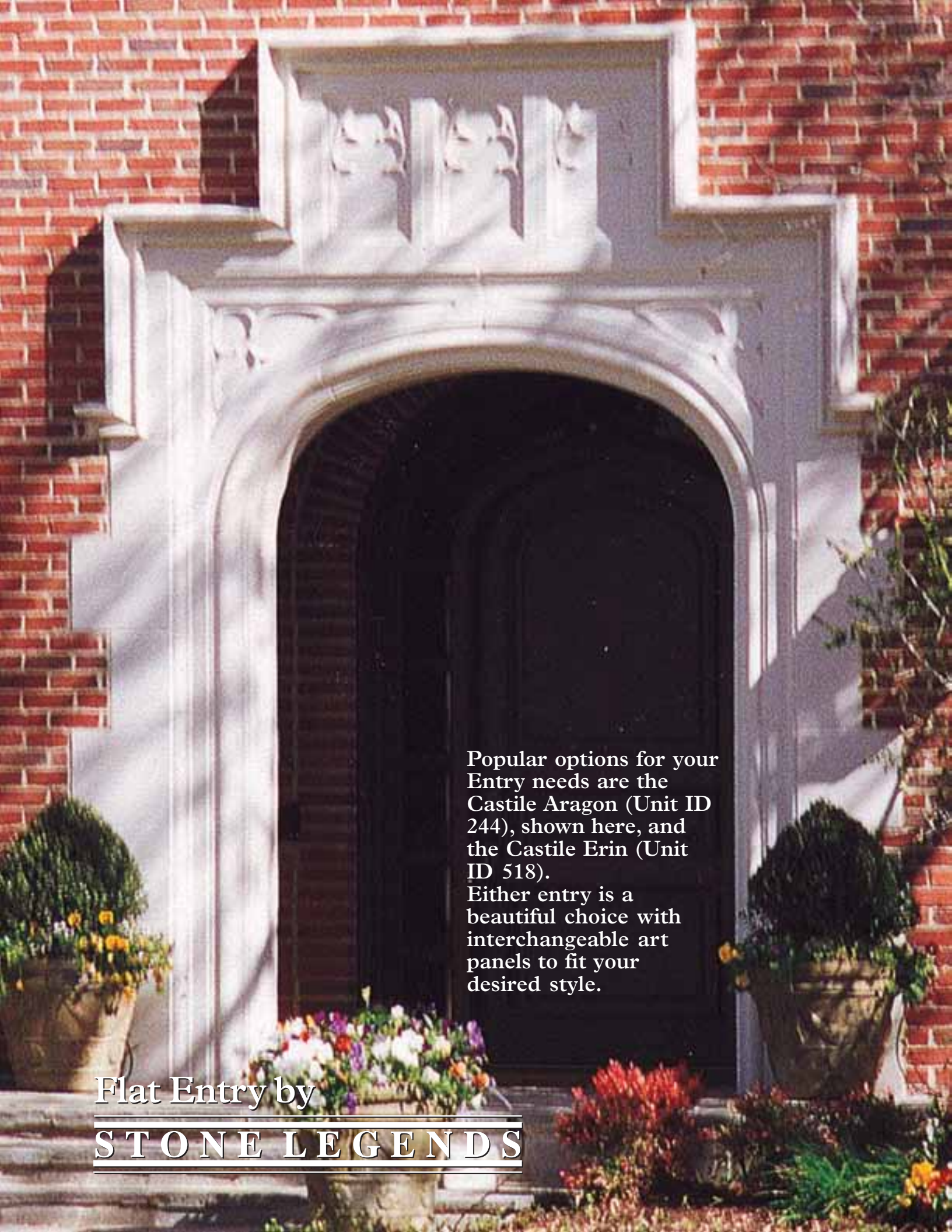
Type Description	Primary View	View Modifiers							Surname		
Entry	Square Top	Pilaster Pediment							Tuscan Classic		
	X	Z	Y	XX	ZZ	YY	R	RR	Unit ID	Cost Factor	Weight
Tuscan Classic	86"	16"	96"	132"	-	131 3/4"	-	-	175	208250	5899

Type Description	Primary View	View Modifiers							Surname		
Entry	Square Top	Balustrade Column Entablature							Tuscan Manor		
	X	Z	Y	XX	ZZ	YY	R	RR	Unit ID	Cost Factor	Weight
Tuscan Manor	88"	23 1/8"	96"	127 1/8"	-	153 1/8"	-	-	428	244250	8863

Type Description	Primary View	View Modifiers							Surname		
Entry	Square Top	Pilaster Pediment							Vermont Fielder		
	X	Z	Y	XX	ZZ	YY	R	RR	Unit ID	Cost Factor	Weight
Vermont Fielder	78 1/2"	12 1/2"	100 1/2"	128 1/16"	-	151"	-	-	118	173000	2700

301 Pleasant Drive • Dallas, TX 75217
 (800) 398-1199 • FAX (214) 398-1293
 www.stonelegends.com • sales@stonelegends.com

STONE LEGENDS

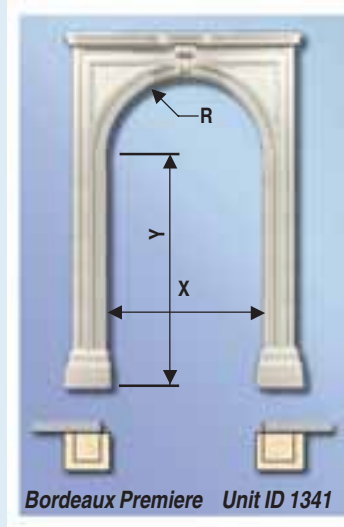


Popular options for your Entry needs are the Castile Aragon (Unit ID 244), shown here, and the Castile Erin (Unit ID 518).

Either entry is a beautiful choice with interchangeable art panels to fit your desired style.

Flat Entry by

STONE LEGENDS



Type Description	Primary View	View Modifiers		Surnames					
Entry	Elliptical Top	Panel Quoins Wings		Castile Aragon					
	X Z	Y	XX ZZ	YY	R	RR	Unit ID	Cost Factor	Weight
Castile Aragon	72" 16"	80 ⁷ / ₈ "	124" -	151 ⁵ / ₈ "	24"	54"	244	271000	4800

Type Description	Primary View	View Modifiers		Surnames					
Entry	Circle Top	Panel Quoins Wings		Castile Aragon					
	X Z	Y	XX ZZ	YY	R	RR	Unit ID	Cost Factor	Weight
Castile Aragon	42" 10 ¹ / ₂ "	75"	92 ¹ / ₂ " 5"	136"	21"	-	14143	189700	2835

Type Description	Primary View	View Modifiers		Surnames					
Entry	Elliptical Top	Panel Quoins Wings		Castile Erin					
	X Z	Y	XX ZZ	YY	R	RR	Unit ID	Cost Factor	Weight
Castile Erin	72" 20"	80 ⁷ / ₈ "	124" -	151 ⁵ / ₈ "	60"	20 ³ / ₄ "	518	271017	4801

Type Description	Primary View	View Modifiers		Surnames					
Entry	Circle Top	Panel Quoins Wings		Bordeaux Premiere					
	X Z	Y	XX ZZ	YY	R	RR	Unit ID	Cost Factor	Weight
Bordeaux Premiere	42" 12"	74"	73 ¹ / ₄ " -	109 ¹ / ₈ "	21"	-	1341	134000	1850
Bordeaux Fruited	42" 12"	74"	78" -	113"	21"	-	1342	144000	1850

Type Description	Primary View	View Modifiers		Surnames					
Entry	Circle Top Triple	Column Pilaster Keystone		Embassy Rhodes					
	X Z	Y	XX ZZ	YY	R	RR	Unit ID	Cost Factor	Weight
Embassy Rhodes	73 ¹⁵ / ₁₆ " 14"	199"	448" -	260 ¹ / ₂ "	37"	-	773	647450	19683

301 Pleasant Drive • Dallas, TX 75217
 (800) 398-1199 • FAX (214) 398-1293
 www.stonelegends.com • sales@stonelegends.com

STONE LEGENDS



Entries are not just for exterior installations.

The Camden Town (Unit ID 559) is shown here as an interior application.

Combined with a Grand Staircase and Wall Veneer Panels (also in this chapter), this home's first impression will become a lasting memory for all who are fortunate to enter.

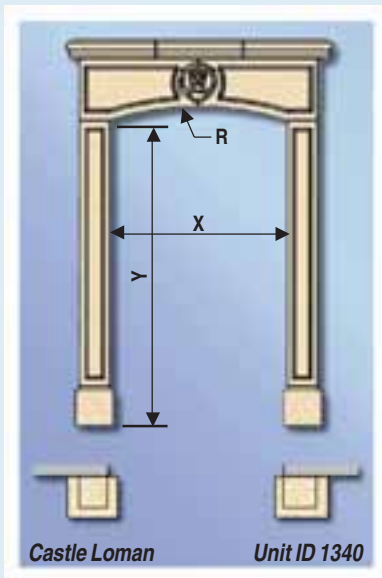
Flat Entry by

STONE LEGENDS



Castle Loman

Unit ID 1340



Castle Loman

Unit ID 1340



Lion Detail



Castle Loman

Unit ID 1340



Etruscan Flutes

Unit ID 235

Type Description	Primary View	View Modifiers							Surname		
Entry	Eyebrow	Keystone							Camden Town		
	X	Z	Y	XX	ZZ	YY	R	RR	Unit ID	Cost Factor	Weight
Camden Town	48"	6"	108"	66 ³ / ₄ "	-	128 ⁷ / ₈ "	44"	-	559	139000	975

Type Description	Primary View	View Modifiers							Surname		
Entry	Eyebrow	Ornament Wings							Castle Loman		
	X	Z	Y	XX	ZZ	YY	R	RR	Unit ID	Cost Factor	Weight
Castle Loman	54"	12 ¹ / ₂ "	90 ¹ / ₄ "	79 ¹ / ₂ "	-	114"	91 ⁷ / ₁₆ "	-	1340	152900	2500

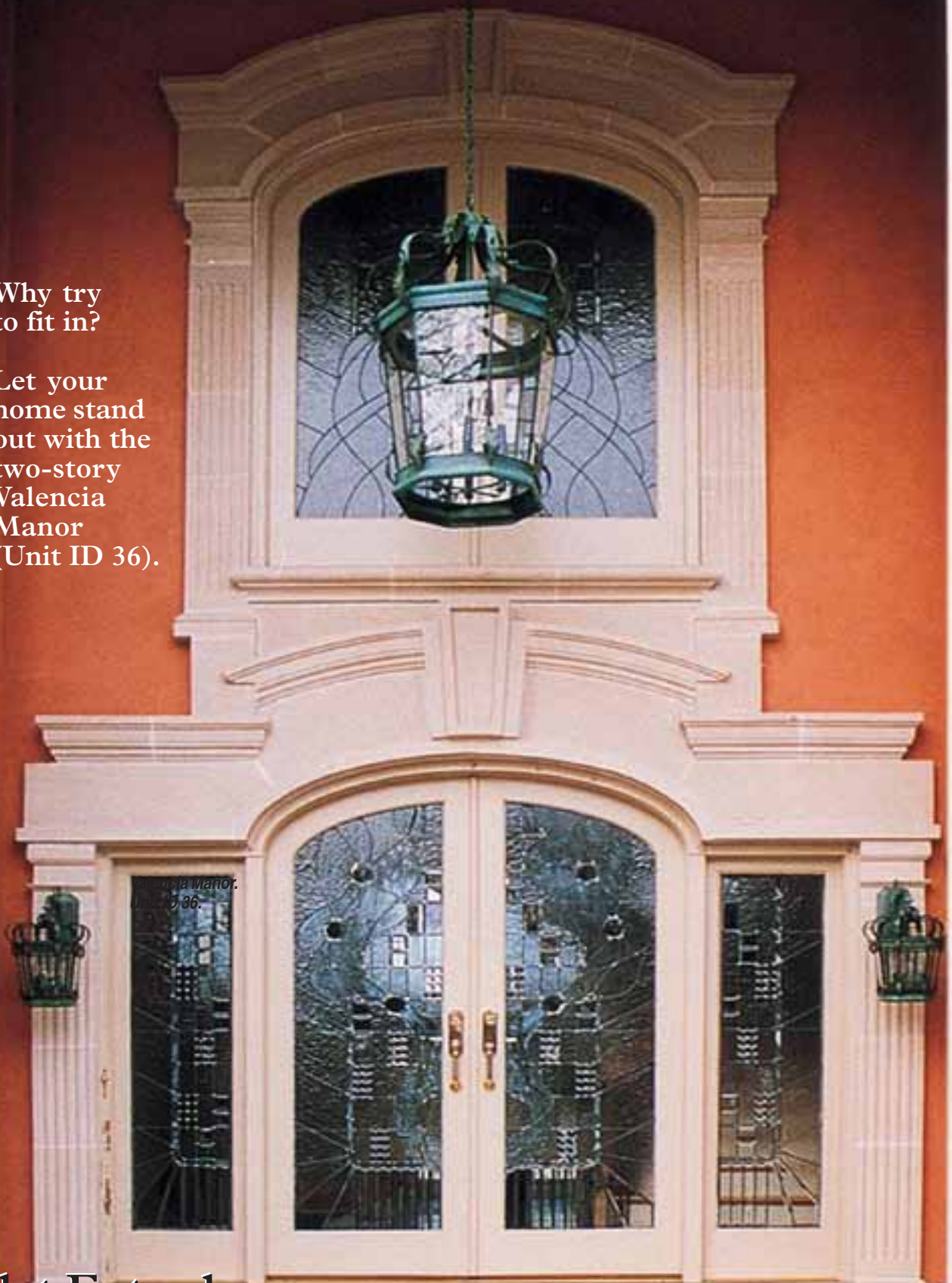
Type Description	Primary View	View Modifiers							Surname		
Entry	Eyebrow	Ornament Wings							Etruscan Flutes		
	X	Z	Y	XX	ZZ	YY	R	RR	Unit ID	Cost Factor	Weight
Etruscan Flutes	114 ¹ / ₂ "	15"	104 ¹ / ₄ "	160 ¹ / ₂ "	-	136 ¹ / ₂ "	208 ⁷ / ₈ "	-	235	232500	3601

301 Pleasant Drive • Dallas, TX 75217
 (800) 398-1199 • FAX (214) 398-1293
 www.stonelegends.com • sales@stonelegends.com

STONE LEGENDS

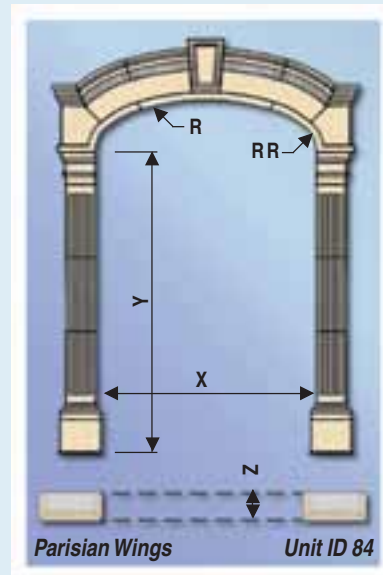
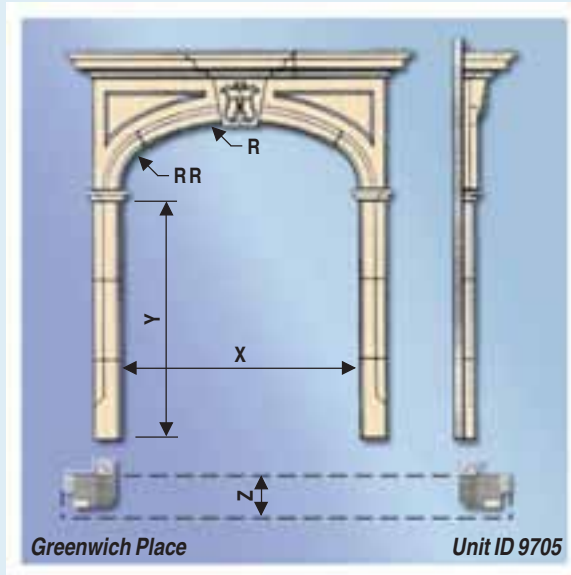
Why try
to fit in?

Let your
home stand
out with the
two-story
Valencia
Manor
(Unit ID 36).



Flat Entry by

STONE LEGENDS



Type Description	Primary View	View Modifiers		Surname							
Entry	Elliptical Top	Keystone		Greenwich Place							
	X	Z	Y	XX	ZZ	YY	R	RR	Unit ID	Cost Factor	Weight
Greenwich Place	84"	22 ¹ / ₈ "	88 ¹ / ₄ "	124"	7 ¹ / ₈ "	137"	67 ⁹ / ₁₆ "	17 ¹ / ₄ "	9705	266900	4397
Greenwich Place	84"	16 ¹ / ₈ "	113 ¹³ / ₁₆ "	124 ³ / ₁₆ "	7 ¹ / ₈ "	149 ¹⁵ / ₁₆ "	93 ⁹ / ₁₆ "	17 ¹ / ₄ "	14873	306935	4742

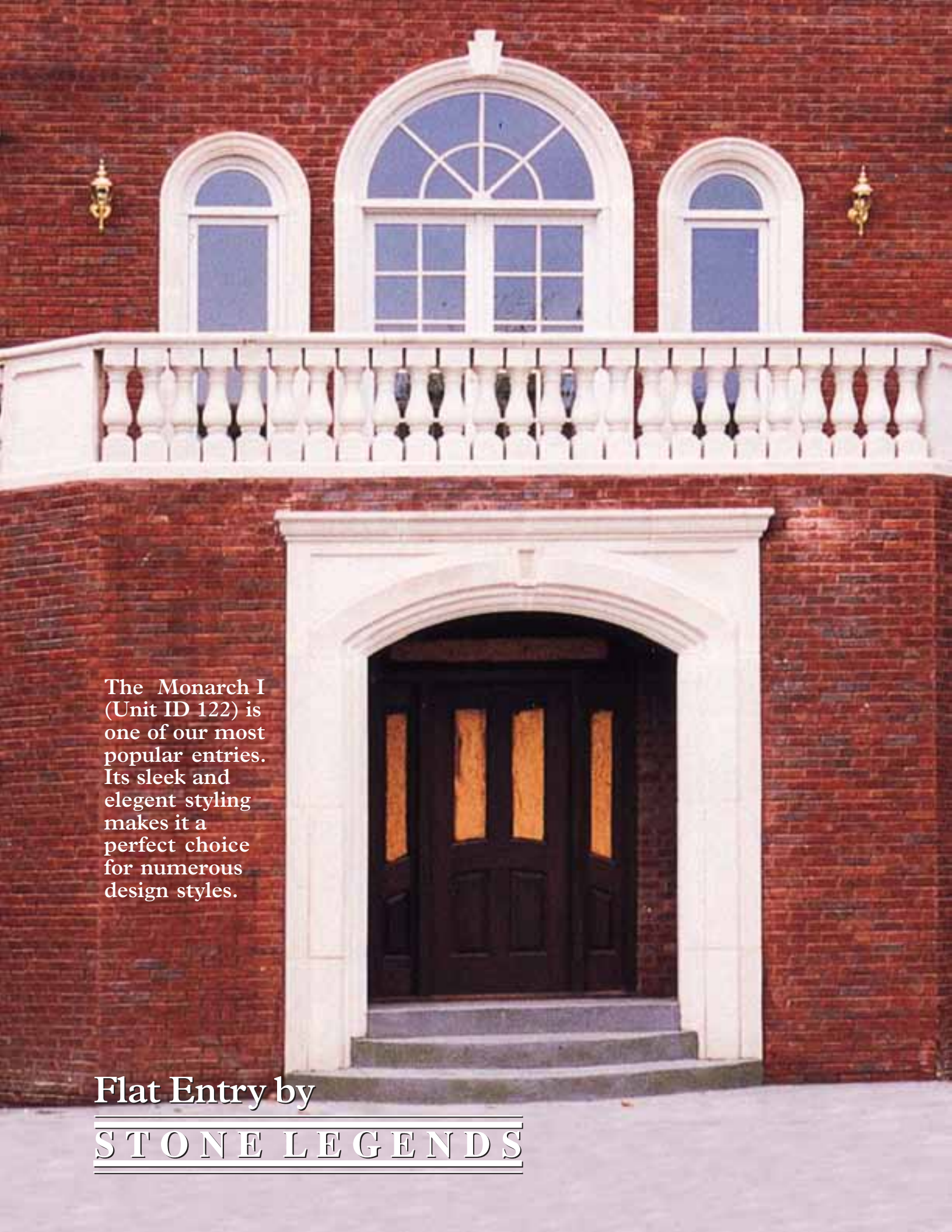
Type Description	Primary View	View Modifiers		Surname							
Entry	Elliptical Top	Keystone Pilaster		Valencia Manor							
	X	Z	Y	XX	ZZ	YY	R	RR	Unit ID	Cost Factor	Weight
Valencia Manor	129 ¹ / ₄ "	8 ¹ / ₂ "	91 ¹ / ₂ "	159 ¹ / ₄ "	-	258 ¹ / ₄ "	81 ¹ / ₂ "	32"	36	320500	3500

Type Description	Primary View	View Modifiers		Surname							
Entry	Elliptical Top	Keystone Pilaster		Parisian Wings							
	X	Z	Y	XX	ZZ	YY	R	RR	Unit ID	Cost Factor	Weight
Parisian Wings	76 ¹ / ₄ "	6 ¹ / ₂ "	104 ¹ / ₄ "	106 ¹ / ₂ "	-	143 ¹ / ₄ "	81 ¹ / ₂ "	32"	84	116000	1375

Type Description	Primary View	View Modifiers		Surname							
Entry	Circle Top	Keystone Pilaster		Parisian Wings							
	X	Z	Y	XX	ZZ	YY	R	RR	Unit ID	Cost Factor	Weight
Parisian Wings	59 ⁷ / ₈ "	8 ³ / ₈ "	78 ³ / ₈ "	87 ⁷ / ₈ "	-	140 ¹ / ₁₆ "	29 ¹⁵ / ₁₆ "	-	14731	127600	1800

301 Pleasant Drive • Dallas, TX 75217
 (800) 398-1199 • FAX (214) 398-1293
 www.stonelegends.com • sales@stonelegends.com

STONE LEGENDS



The Monarch I (Unit ID 122) is one of our most popular entries. Its sleek and elegant styling makes it a perfect choice for numerous design styles.

Flat Entry by

STONE LEGENDS

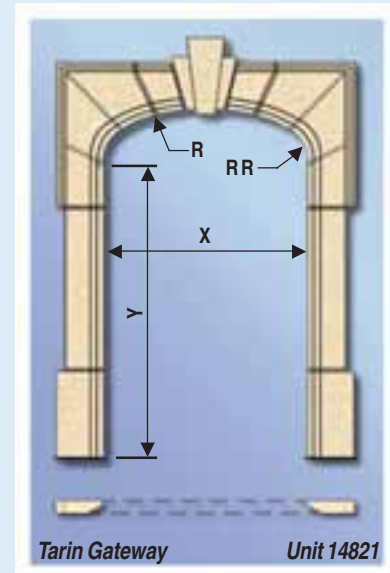


Monte Carlo Unit ID 876

Cast stone entries can be made to fit all styles and taste without compromising in quality.



Oscan Gothic Unit ID 13839



Tarin Gateway Unit 14821

Type Description	Primary View	View Modifiers							Surname			
Entry	Eyebrow	X	Z	Y	XX	ZZ	YY	R	RR	Unit ID	Cost Factor	Weight
Monarch		73 ¹ / ₂ "	8 ⁷ / ₁₆ "	109"	111 ¹ / ₂ "	-	143 ³ / ₄ "	66 ⁷ / ₈ "	-	235	232500	3601

Type Description	Primary View	View Modifiers							Surname			
Entry	Eyebrow	X	Z	Y	XX	ZZ	YY	R	RR	Unit ID	Cost Factor	Weight
Monte Carlo		103"	9 ¹ / ₂ "	109 ¹ / ₂ "	272 ³ / ₄ "	3"	189 ¹ / ₂ "	72"	48"	61	346750	6799
Monte Carlo		86"	10"	102 ³ / ₄ "	158"	3"	319 ³ / ₈ "	63 ¹ / ₂ "	38 ¹ / ₈ "	876	450775	8900

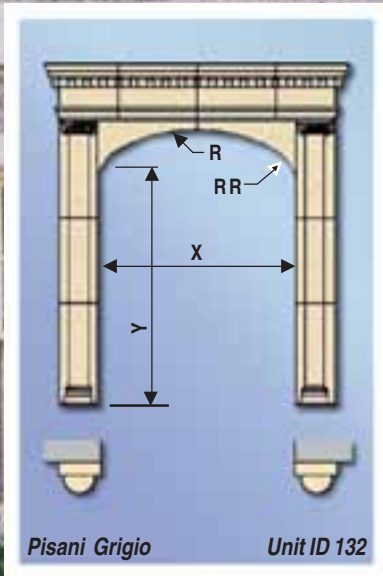
Type Description	Primary View	View Modifiers							Surname			
Entry	Gothic Arch	Column Pilaster Recess							Oscan Gothic			
		X	Z	Y	XX	ZZ	YY	R	RR	Unit ID	Cost Factor	Weight
Oscan Gothic		47 ¹ / ₂ "	12 ⁵ / ₈ "	84"	110 ¹ / ₂ "	6 ⁵ / ₈ "	134 ⁵ / ₈ "	-	-	13839	173000	4269

Type Description	Primary View	View Modifiers							Surname			
Entry	Elliptical Top	Keystone							Tarin Gateway			
		X	Z	Y	XX	ZZ	YY	R	RR	Unit ID	Cost Factor	Weight
Tarin Gateway		65"	10"	82 ¹ / ₈ "	95"	4"	121 ⁷ / ₈ "	65"	11 ⁷ / ₁₆ "	14821	63600	1590

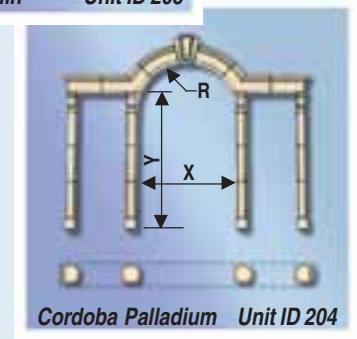
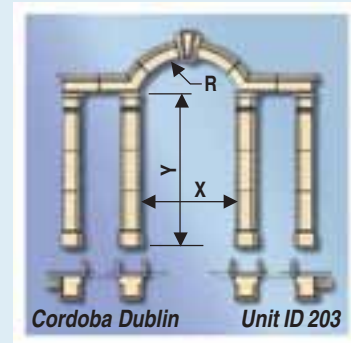
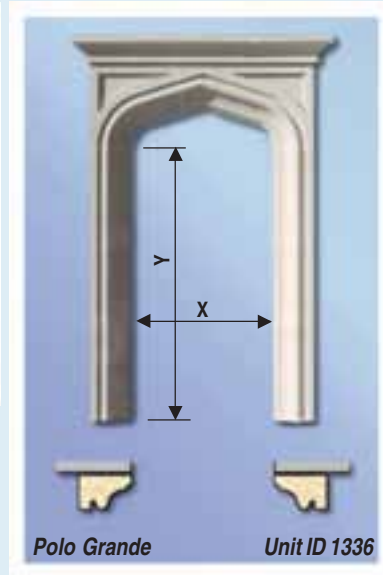
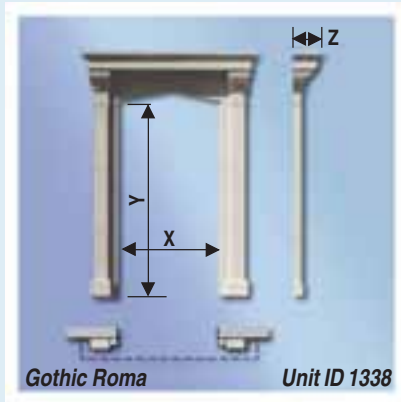
301 Pleasant Drive • Dallas, TX 75217
 (800) 398-1199 • FAX (214) 398-1293
 www.stonelegends.com • sales@stonelegends.com

STONE LEGENDS

A variation of the larger **Pisani Grigio** (Unit ID 132), this entry (Unit ID 28) is the perfect size to fit any small to mid-sized home.



Flat Entry by
STONE LEGENDS



Type Description	Primary View	View Modifiers							Surname		
Entry	Elliptical Top	Column Pilaster							Pisani Grigio		
	X	Z	Y	XX	ZZ	YY	R	RR	Unit ID	Cost Factor	Weight
Pisani Grigio	75 ¹ / ₂ "	12"	83 ⁹ / ₁₆ "	105 ¹ / ₂ "	-	132 ¹ / ₄ "	-	-	132	193000	4800

Type Description	Primary View	View Modifiers							Surname		
Entry	Circle Top	Column Pilaster							Pisani Grigio		
	X	Z	Y	XX	ZZ	YY	R	RR	Unit ID	Cost Factor	Weight
Pisani Grigio	45 ¹ / ₈ "	12"	84 ⁹ / ₁₆ "	85"	-	141"	22 ⁷ / ₁₆ "	-	28	166000	4000

Type Description	Primary View	View Modifiers							Surname		
Entry	Gothic Arch								Gothic Roma		
	X	Z	Y	XX	ZZ	YY	R	RR	Unit ID	Cost Factor	Weight
Gothic Roma	48"	12"	76"	74 ¹ / ₂ "	4 ¹ / ₂ "	94"	-	-	1338	104450	1200
Gothic Roma	42"	12"	76"	68 ¹ / ₂ "	4 ¹ / ₂ "	94"	-	-	1339	98800	1100

Type Description	Primary View	View Modifiers							Surname		
Entry	Gothic Arch								Polo Grande		
	X	Z	Y	XX	ZZ	YY	R	RR	Unit ID	Cost Factor	Weight
Polo Grande	47 ¹ / ₂ "	10 ¹ / ₂ "	83 ⁵ / ₈ "	75 ³ / ₄ "	6 ¹ / ₂ "	111 ¹ / ₂ "	-	-	1336	96250	1650
Polo Grande	41 ⁷ / ₈ "	10 ¹ / ₂ "	83 ⁵ / ₈ "	70"	6 ¹ / ₂ "	111 ¹ / ₂ "	-	-	1337	92500	1575

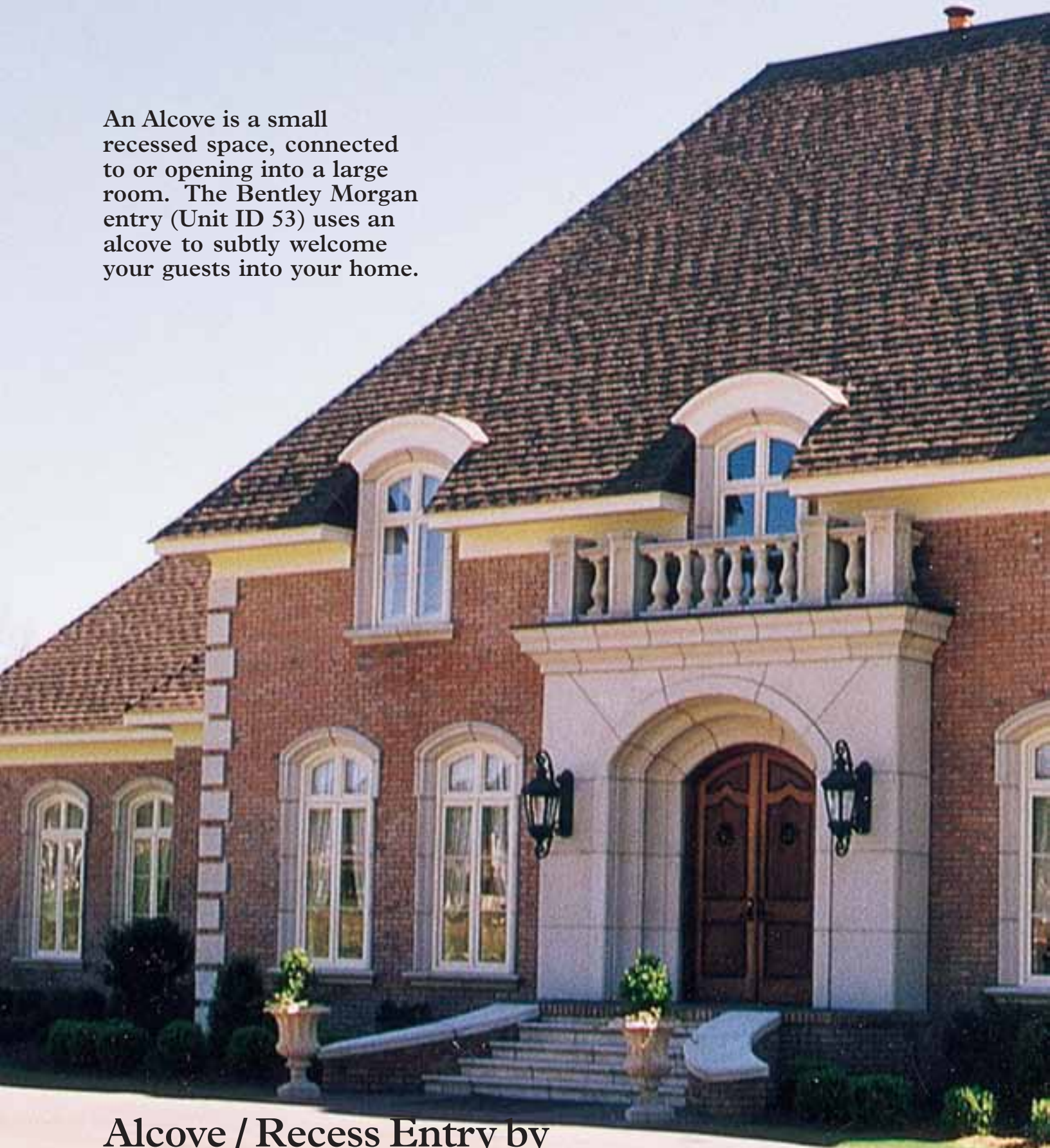
Type Description	Primary View	View Modifiers							Surname		
Entry	Palladium	Keystone							Cordoba Dublin		
	X	Z	Y	XX	ZZ	YY	R	RR	Unit ID	Cost Factor	Weight
Cordoba Dublin	55 ⁵ / ₈ "	19 ¹ / ₂ "	96"	167 ⁷ / ₈ "	-	135 ¹¹ / ₁₆ "	34"	-	203	340000	12300

Type Description	Primary View	View Modifiers							Surname		
Entry	Palladium	Keystone							Cordoba Palladium		
	X	Z	Y	XX	ZZ	YY	R	RR	Unit ID	Cost Factor	Weight
Cordoba Palladium	62 ³ / ₈ "	9 ³ / ₄ "	76"	159 ⁷ / ₈ "	-	100 ⁵ / ₈ "	31 ³ / ₁₆ "	-	204	244250	8864

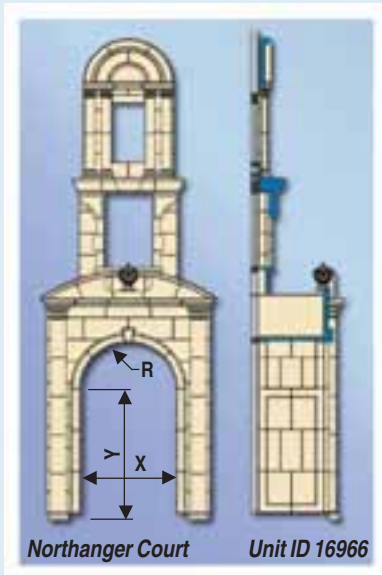
301 Pleasant Drive • Dallas, TX 75217
 (800) 398-1199 • FAX (214) 398-1293
 www.stonelegends.com • sales@stonelegends.com

STONE LEGENDS

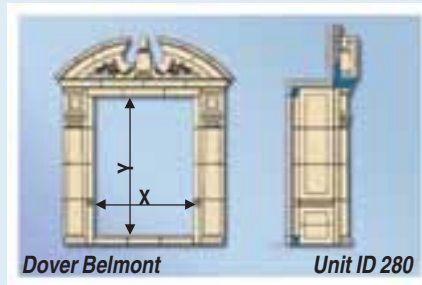
An Alcove is a small recessed space, connected to or opening into a large room. The Bentley Morgan entry (Unit ID 53) uses an alcove to subtly welcome your guests into your home.



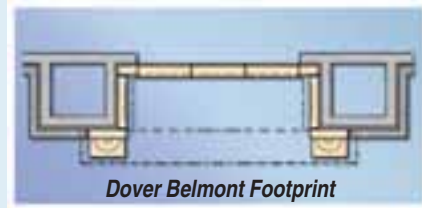
Alcove / Recess Entry by
STONE LEGENDS



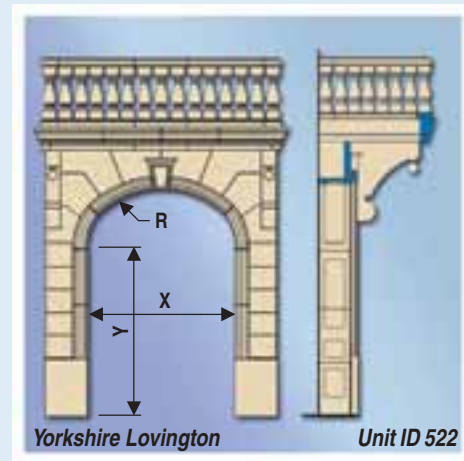
Northanger Court Unit ID 16966



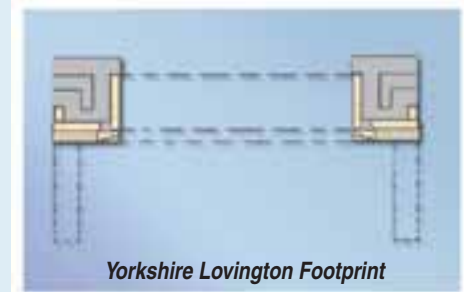
Dover Belmont Unit ID 280



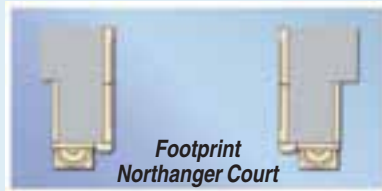
Dover Belmont Footprint



Yorkshire Lovington Unit ID 522



Yorkshire Lovington Footprint



Footprint Northanger Court

Type Description	Primary View		View Modifiers						Surname		
Entry	Alcove		Eyebrow Balustrade						Bentley Morgan		
	X	Z	Y	XX	ZZ	YY	R	RR	Unit ID	Cost Factor	Weight
Bentley Morgan	64"	38"	87"	185 ¹ / ₈ "	-	183 ¹ / ₈ "	42 ² / ₁₆ "	-	53	470500	14180

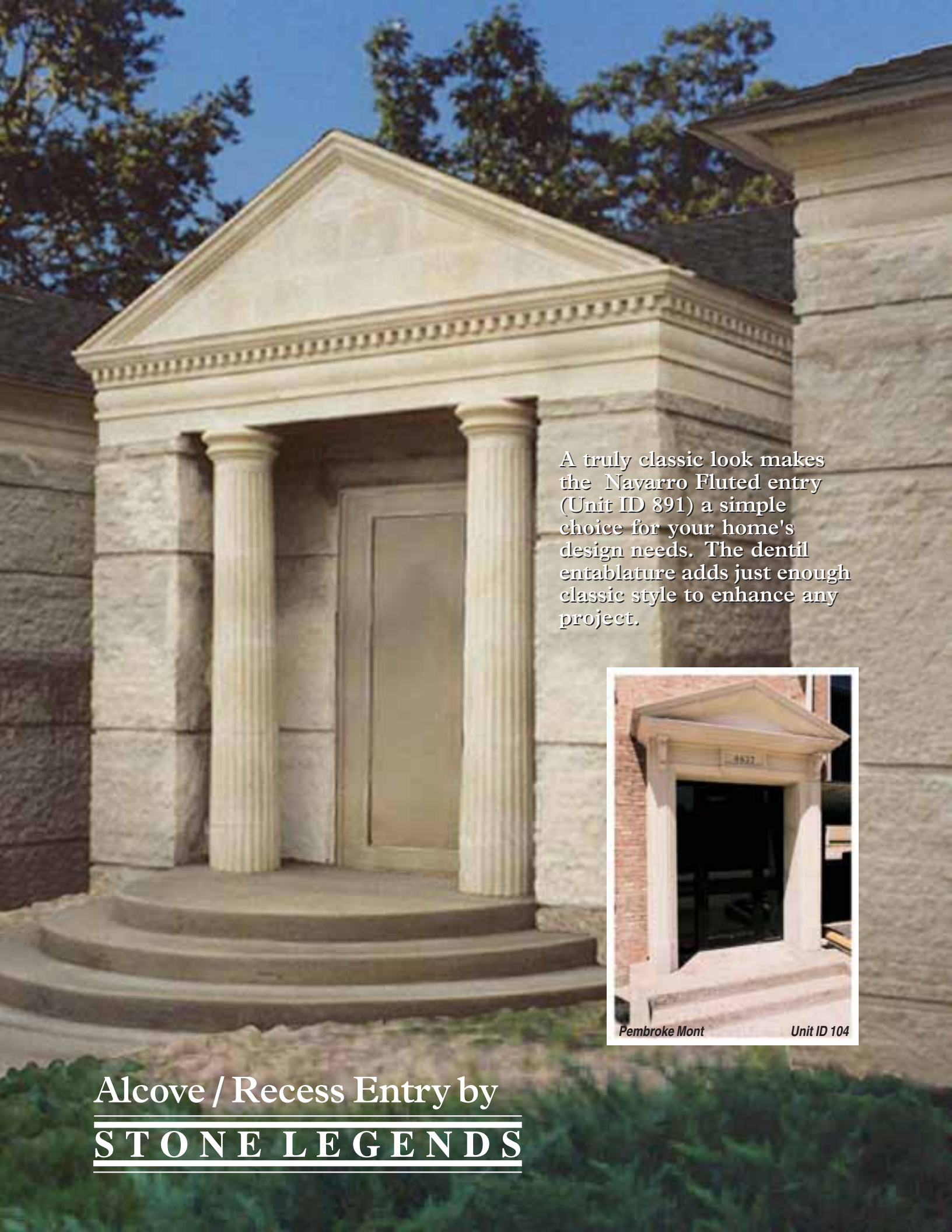
Type Description	Primary View		View Modifiers						Surname		
Entry	Alcove		Circle Top Column Pilaster Pediment						Northanger Court		
	X	Z	Y	XX	ZZ	YY	R	RR	Unit ID	Cost Factor	Weight
Northanger Court	76 ⁷ / ₈ "	65 ¹ / ₈ "	106"	142 ¹ / ₁₆ "	-	407 ⁹ / ₁₆ "	38 ⁷ / ₁₆ "	-	16966	783751	16645

Type Description	Primary View		View Modifiers						Surname		
Entry	Alcove		Square Top Pediment Ornament						Dover Belmont		
	X	Z	Y	XX	ZZ	YY	R	RR	Unit ID	Cost Factor	Weight
Dover Belmont	74 ¹ / ₄ "	46 ¹ / ₄ "	105 ⁷ / ₈ "	129 ³ / ₄ "	42 ² / ₁₆ "	143 ¹ / ₂ "	-	-	280	487250	14000

Type Description	Primary View		View Modifiers						Surname		
Entry	Alcove		Elliptical Top Balustrade Bracket Keystone						Yorkshire Lovington		
	X	Z	Y	XX	ZZ	YY	R	RR	Unit ID	Cost Factor	Weight
Yorkshire Lovington	76"	45"	87"	130 ¹ / ₂ "	-	189 ³ / ₈ "	29 ³ / ₈ "	43 ³ / ₄ "	522	573000	9677

301 Pleasant Drive • Dallas, TX 75217
 (800) 398-1199 • FAX (214) 398-1293
 www.stonelegends.com • sales@stonelegends.com

STONE LEGENDS

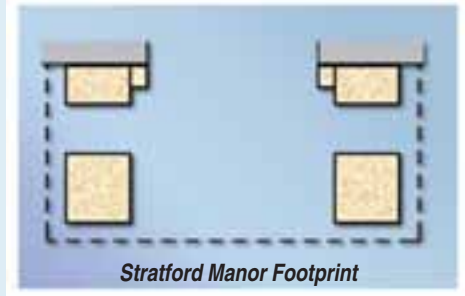
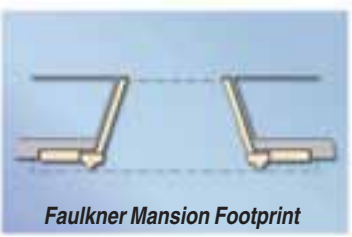
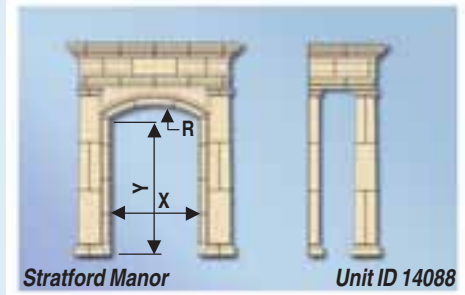
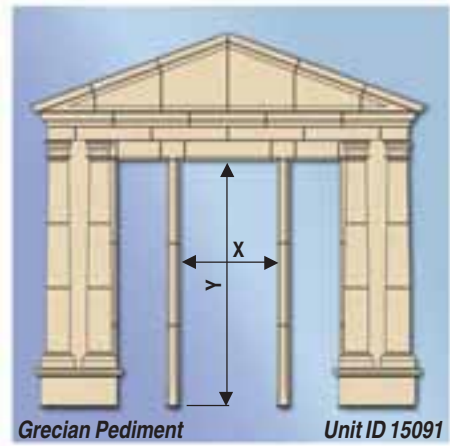
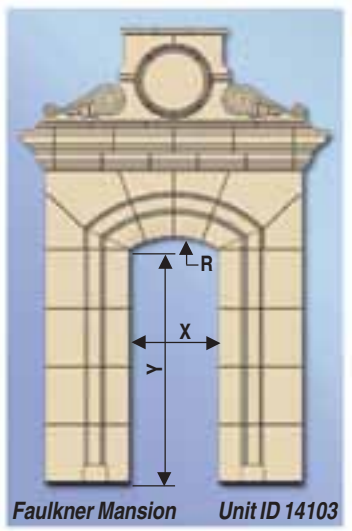


A truly classic look makes the Navarro Fluted entry (Unit ID 891) a simple choice for your home's design needs. The dentil entablature adds just enough classic style to enhance any project.



Alcove / Recess Entry by
STONE LEGENDS

Alcove / Recess Entry



Type Description	Primary View	View Modifiers							Sumame		
Entry	Alcove	Square Top Column Entablature Pediment							Navarro Fluted		
	X Z	Y	XX	ZZ	YY	R	RR	Unit ID	Cost Factor	Weight	
Navarro Fluted	39" 48"	90"	173 ¹ / ₄ "	-	181 ³ / ₄ "	-	-	891	160000	9410	

Type Description	Primary View	View Modifiers							Sumame		
Entry	Alcove	Square Top Pediment							Pembroke Mont		
	X Z	Y	XX	ZZ	YY	R	RR	Unit ID	Cost Factor	Weight	
Pembroke Mont	76" 39 ¹ / ₂ "	104"	118"	24 ¹ / ₄ "	151 ¹ / ₂ "	-	-	104	244500	10750	

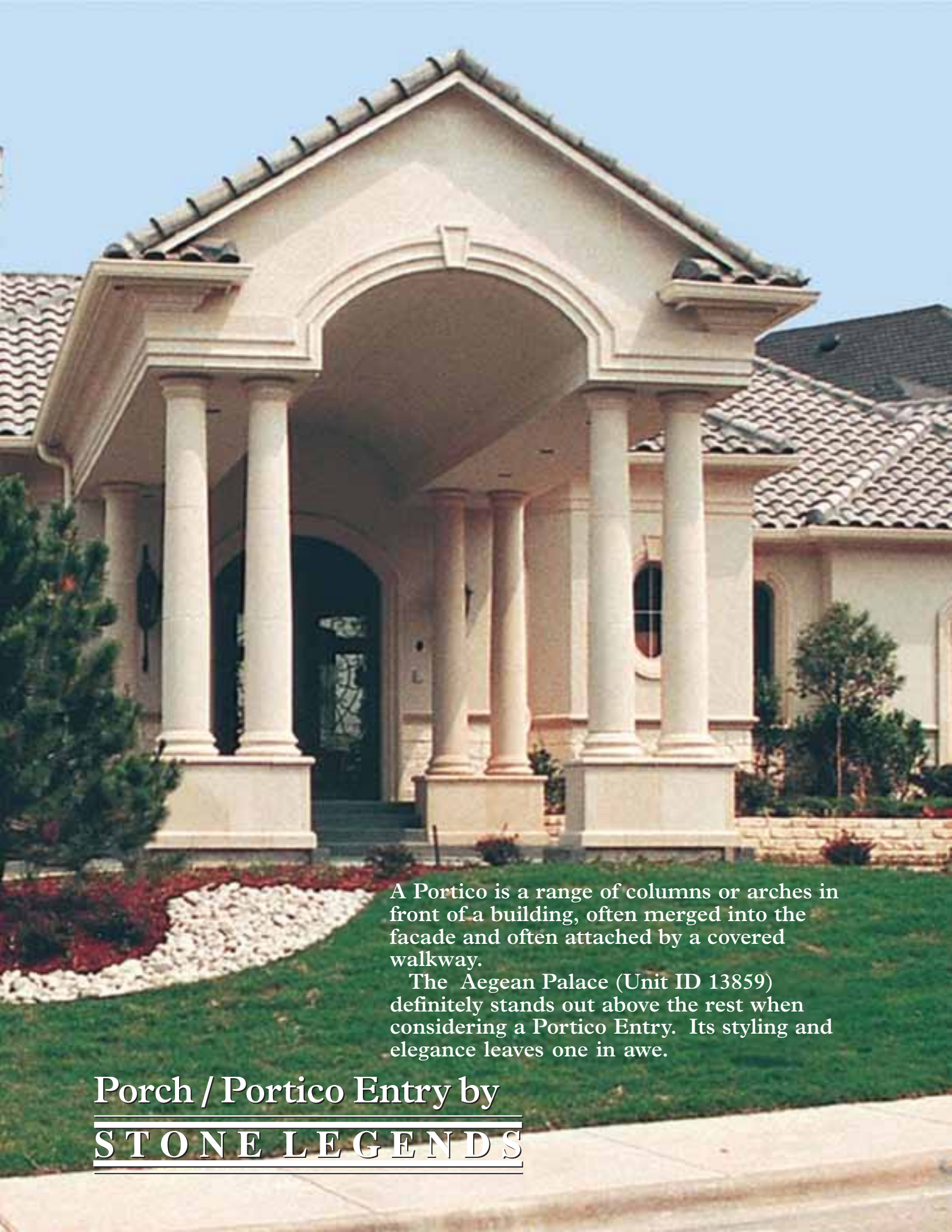
Type Description	Primary View	View Modifiers							Sumame		
Entry	Alcove	Eyebrow Ornament							Falkner Mansion		
	X Z	Y	XX	ZZ	YY	R	RR	Unit ID	Cost Factor	Weight	
Falkner Mansion	41" 45 ¹³ / ₁₆ "	111 ¹ / ₈ "	144 ¹ / ₈ "	35 ³ / ₈ "	217 ³ / ₈ "	37 ³ / ₈ "	-	14103	468800	13321	

Type Description	Primary View	View Modifiers							Sumame		
Entry	Alcove	Square Top Column Pediment							Grecian Pediment		
	X Z	Y	XX	ZZ	YY	R	RR	Unit ID	Cost Factor	Weight	
Grecian Pediment	40 ³ / ₄ " 59"	106"	164"	57 ⁵ / ₈ "	161"	-	-	15091	420799	14595	

Type Description	Primary View	View Modifiers							Sumame		
Entry	Alcove	Eyebrow Column							Stratford Manor		
	X Z	Y	XX	ZZ	YY	R	RR	Unit ID	Cost Factor	Weight	
Stratford Manor	73 ³ / ₈ " 66 ¹⁵ / ₁₆ "	117 ³ / ₁₆ "	147 ⁷ / ₈ "	59 ³ / ₄ "	183"	65 ³ / ₄ "	-	14088	618930	20654	

301 Pleasant Drive • Dallas, TX 75217
 (800) 398-1199 • FAX (214) 398-1293
 www.stonelegends.com • sales@stonelegends.com

STONE LEGENDS



A Portico is a range of columns or arches in front of a building, often merged into the facade and often attached by a covered walkway.

The Aegean Palace (Unit ID 13859) definitely stands out above the rest when considering a Portico Entry. Its styling and elegance leaves one in awe.

Porch / Portico Entry by
STONE LEGENDS

Porch / Portico Entry

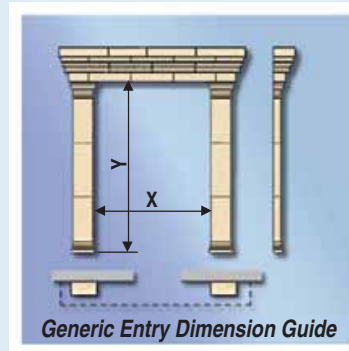
Beautiful in appearance and style, the Warwick Manor 1 (Unit ID 178) is still simple and charming.



Warwick Manor

Unit ID 178

Door surround and helical balustrade not included in unit.



Warwick Manor
Unit ID 178

Type Description	Primary View	View Modifiers							Surname		
Entry	Alcove	Square Top Balustrade Column Entablature							Warwick Manor		
	X	Z	Y	XX	ZZ	YY	R	RR	Unit ID	Cost Factor	Weight
Warwick Manor	48"	27"	109 ⁵ / ₈ "	150"	-	171 ¹ / ₄ "	-	-	178	343000	11600
Warwick Manor	73 ¹ / ₂ "	27"	109 ⁵ / ₈ "	114"	-	171 ¹ / ₄ "	-	-	14156	292500	8900
Warwick Manor	171"	86 ³ / ₈ "	144"	207 ³ / ₄ "	80 ¹ / ₄ "	203 ¹ / ₁₆ "	-	-	14192	520695	14038

Type Description	Primary View	View Modifiers							Surname		
Entry	Portico	Eyebrow Column DoubleSided							Aegean Palace		
	X	Z	Y	XX	ZZ	YY	R	RR	Unit ID	Cost Factor	Weight
Aegean Palace	86"	439 ¹⁵ / ₁₆ "	149 ¹ / ₈ "	203"	-	233 ⁷ / ₈ "	-	-	13859	740200	33515

301 Pleasant Drive • Dallas, TX 75217
 (800) 398-1199 • FAX (214) 398-1293
 www.stonelegends.com • sales@stonelegends.com

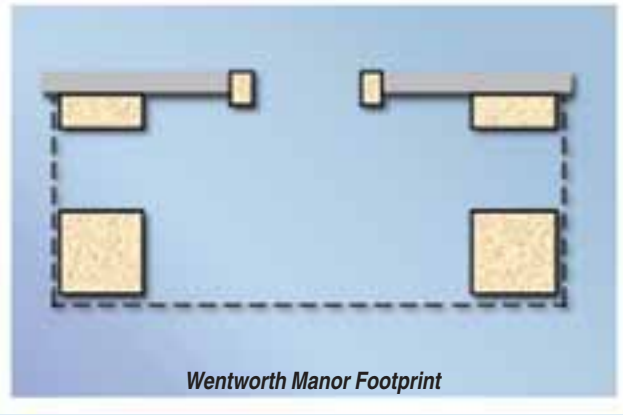
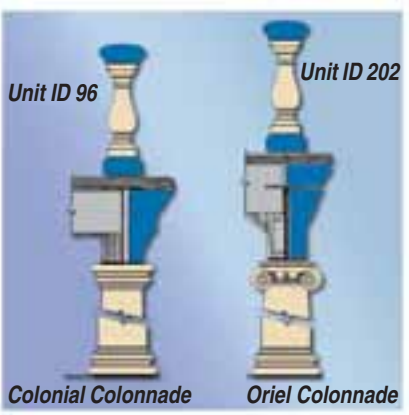
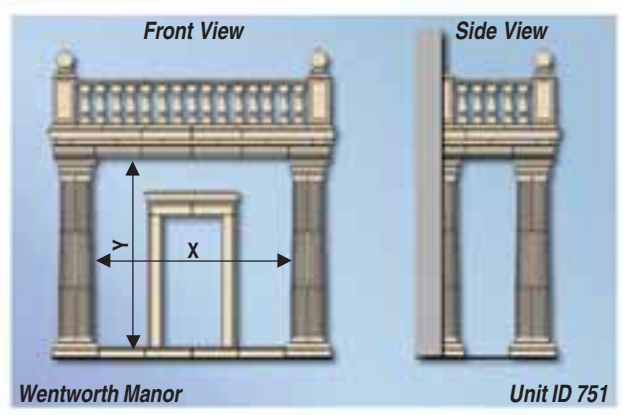
STONE LEGENDS

The Scamozzi capitals in the Oriel Colonnade (Unit ID 202) add to the classic features of this beautiful Porch Entry. Elegant and sleek in design, it can be customized to fit into any architectural style.



Porch / Portico Entry by
STONE LEGENDS

Porch / Portico Entry



Type Description	Primary View	View Modifiers							Surname			
Entry	Portico	Column Pilaster Entablature Pediment							Arcadia Piedmont			
		X	Z	Y	XX	ZZ	YY	R	RR	Unit ID	Cost Factor	Weight
Arcadia Piedmont		60 ¹ / ₂ "	56 ¹ / ₂ "	100 ¹ / ₂ "	228 ³ / ₄ "	-	157 ¹ / ₄ "	-	-	530	642502	19173

Type Description	Primary View	View Modifiers							Surname			
Entry	Portico	Balustrade Column Pilaster Entablature							Wentworth Manor			
		X	Z	Y	XX	ZZ	YY	R	RR	Unit ID	Cost Factor	Weight
Wentworth Manor		46"	113"	98 ³ / ₈ "	215"	-	213 ³ / ₄ "	-	-	751	690400	25968

Type Description	Primary View	View Modifiers							Surname			
Entry	Portico	Balustrade Column Pilaster							Colonial Colonnade			
		X	Z	Y	XX	ZZ	YY	R	RR	Unit ID	Cost Factor	Weight
Colonial Colonnade		91 ¹ / ₄ "	192"	108"	349 ³ / ₄ "	-	159 ¹ / ₈ "	184 ¹ / ₄ "	-	96	734000	18808

Type Description	Primary View	View Modifiers							Surname			
Entry	Portico	Balustrade Column Pilaster							Oriel Colonnade			
		X	Z	Y	XX	ZZ	YY	R	RR	Unit ID	Cost Factor	Weight
Oriel Colonnade		91 ¹ / ₄ "	192"	120"	349 ³ / ₄ "	-	173 ³ / ₄ "	184 ¹ / ₄ "	-	202	840000	21003

*Additional fees may be required for customization of unit. Speak with a Stone Legends salesman for more information.

301 Pleasant Drive • Dallas, TX 75217
 (800) 398-1199 • FAX (214) 398-1293
 www.stonelegends.com • sales@stonelegends.com

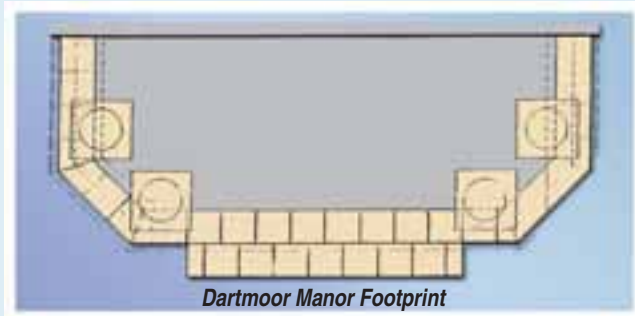
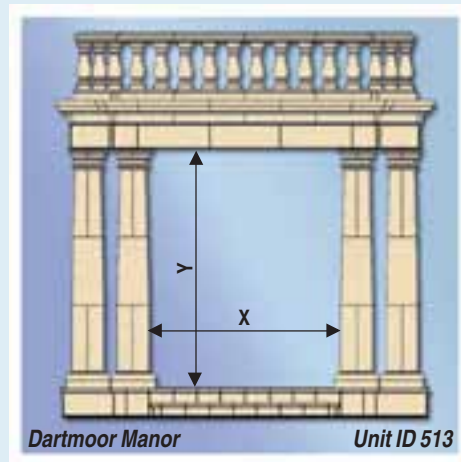
STONE LEGENDS



A Porch is a roofed entrance, either part of a building or as an applied feature of the exterior.

Impressive in nature, the Nottingham Manor (Unit ID 1352) is an excellent example of a porch entry. It demands attention with its bold lines and elegant arches. Its simple lines allow it to fit into various styles and environments.

Porch / Portico Entry by
STONE LEGENDS

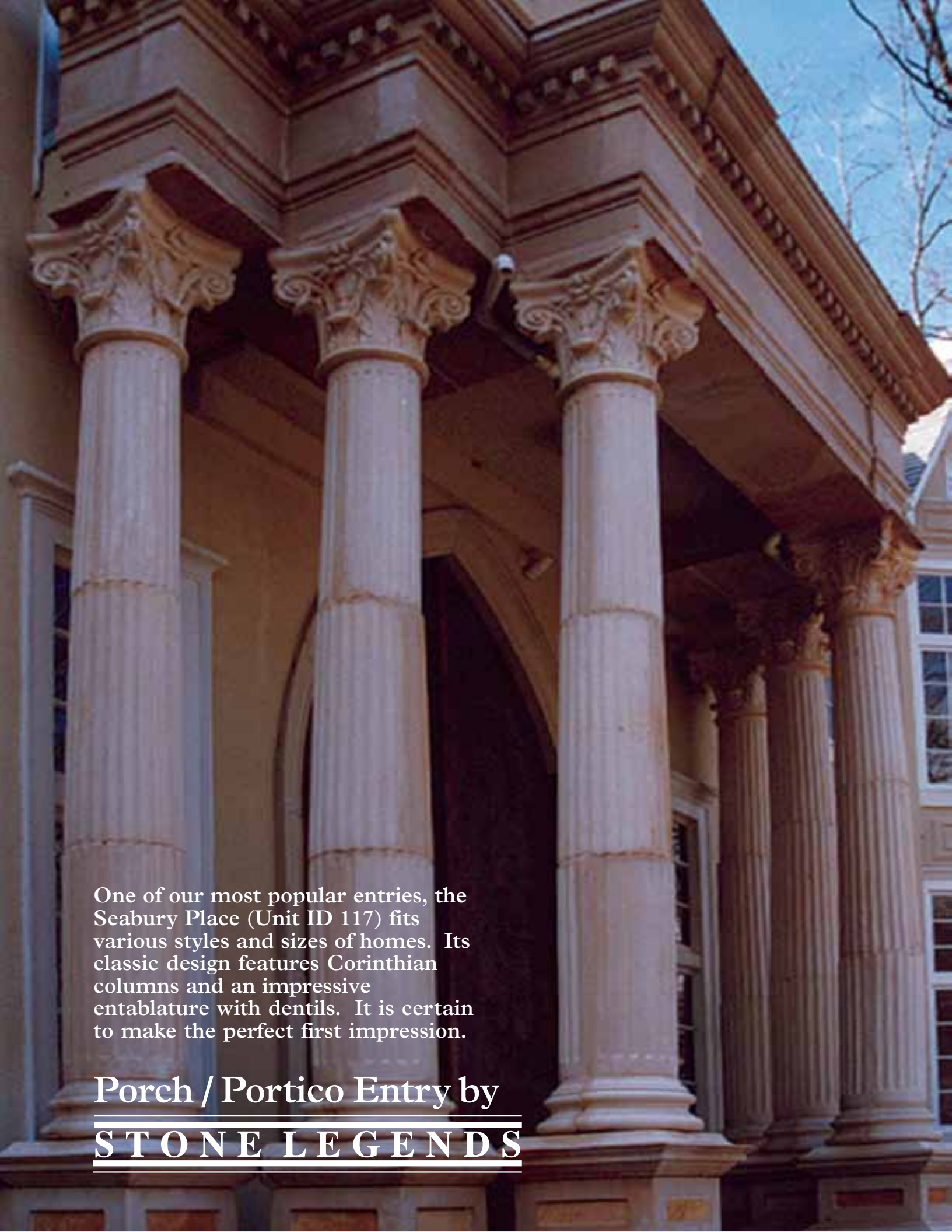


Type Description	Primary View	View Modifiers							Surname			
Entry	Portico	Square Top Balustrade Column							Dartmoor Manor			
		X	Z	Y	XX	ZZ	YY	R	RR	Unit ID	Cost Factor	Weight
Dartmoor Manor		112"	73½"	120"	186"	-	189¾"	-	-	513	382950	12802

Type Description	Primary View	View Modifiers							Surname			
Entry	Portico	Circle Top DoubleSided							Nottingham Manor			
		X	Z	Y	XX	ZZ	YY	R	RR	Unit ID	Cost Factor	Weight
Nottingham Manor		76⅞"	83"	194⅝"	160⅞"	-	249⅞"	-	-	1352	1050000	46000

301 Pleasant Drive • Dallas, TX 75217
 (800) 398-1199 • FAX (214) 398-1293
 www.stonelegends.com • sales@stonelegends.com

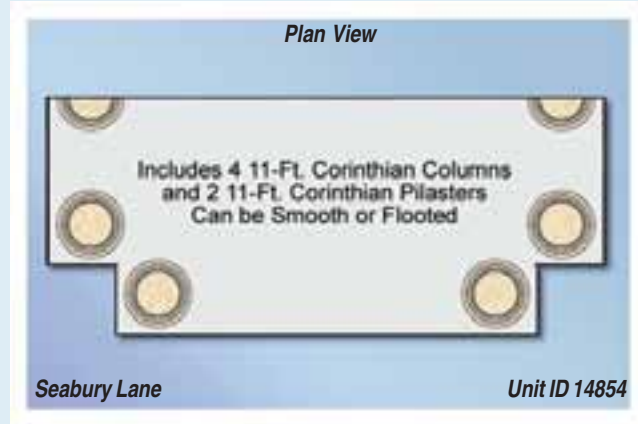
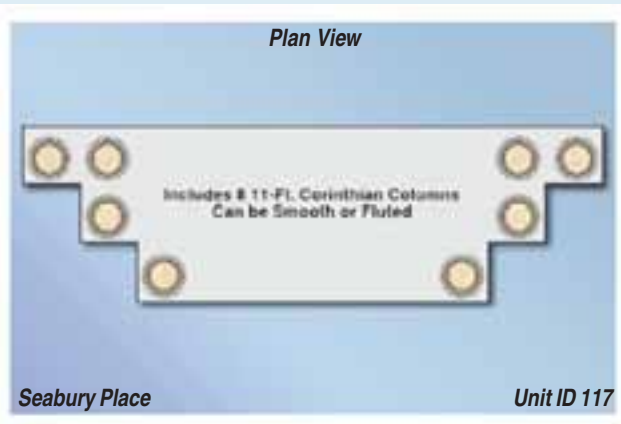
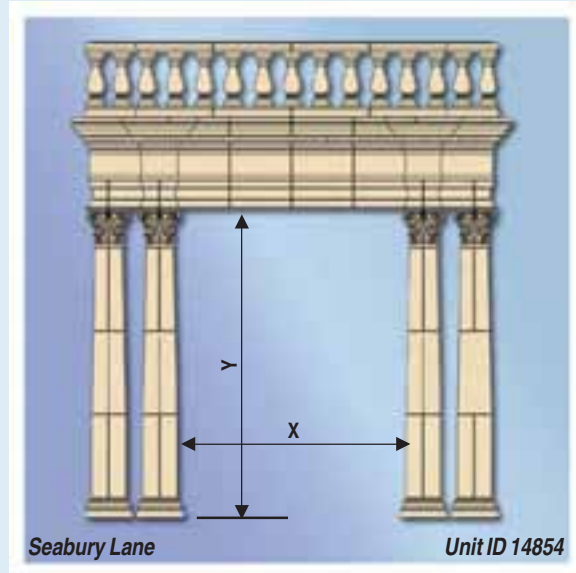
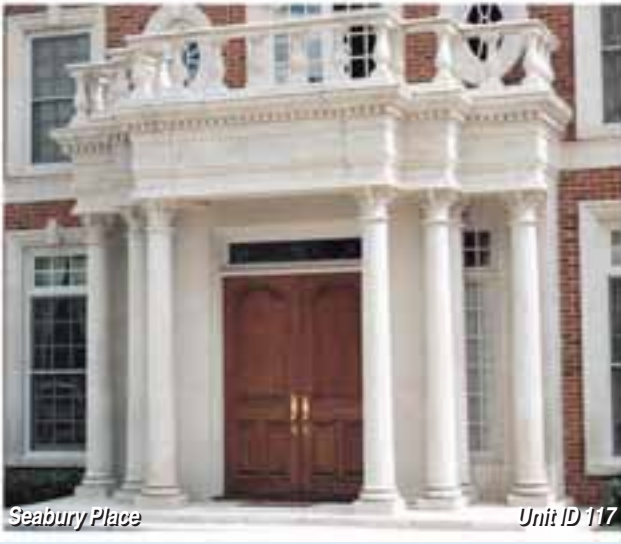
STONE LEGENDS



One of our most popular entries, the Seabury Place (Unit ID 117) fits various styles and sizes of homes. Its classic design features Corinthian columns and an impressive entablature with dentils. It is certain to make the perfect first impression.

Porch / Portico Entry by
STONE LEGENDS

Porch / Portico Entry




Type Description	Primary View		View Modifiers						Surname		
Entry	Portico		Square Top Balustrade Column Entablature						Seabury Place		
	X	Z	Y	XX	ZZ	YY	R	RR	Unit ID	Cost Factor	Weight
Seabury Place	92½"	63½"	132"	209½"	-	202¾"	-	-	117	723000	24000

Type Description	Primary View		View Modifiers						Surname		
Entry	Portico		Square Top Balustrade Column Entablature						Seabury Lane		
	X	Z	Y	XX	ZZ	YY	R	RR	Unit ID	Cost Factor	Weight
Seabury Lane	108"	12½"	132"	168"	-	202¾"	-	-	14854	669600	21642

301 Pleasant Drive • Dallas, TX 75217
 (800) 398-1199 • FAX (214) 398-1293
 www.stonelegends.com • sales@stonelegends.com

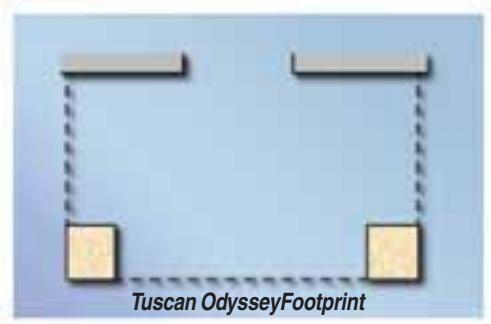
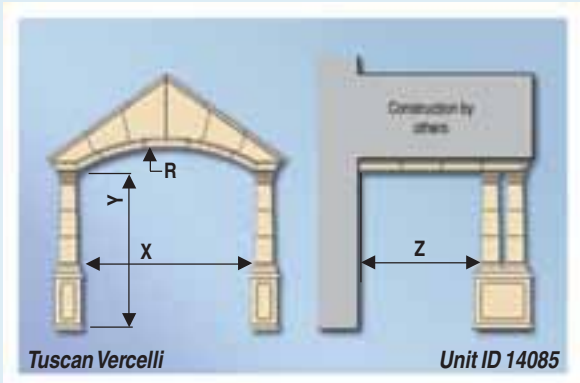
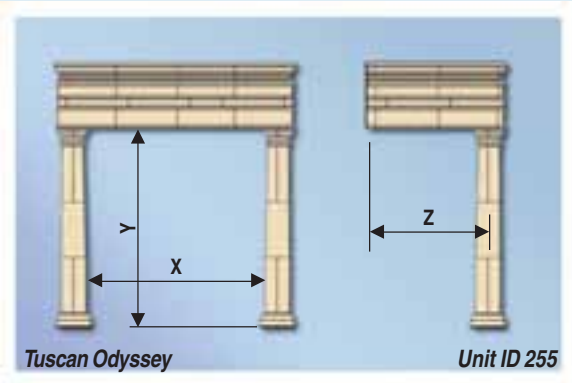
STONE LEGENDS



The Trent Branworth (Unit ID 129) is a distinctive entry that is sure to catch the eye of any passerby.

Porch / Portico Entry by
STONE LEGENDS

Porch / Portico Entry



Type Description	Primary View	View Modifiers							Surname		
Entry	Portico	Column	Ornament						Unit ID	Cost Factor	Weight
Trent Branworth	X	Z	Y	XX	ZZ	YY	R	RR	129	383000	8540
Trent Flat	55 1/2"	28 1/2"	100"	117 1/2"	-	157"	-	-	1353	281750	6100

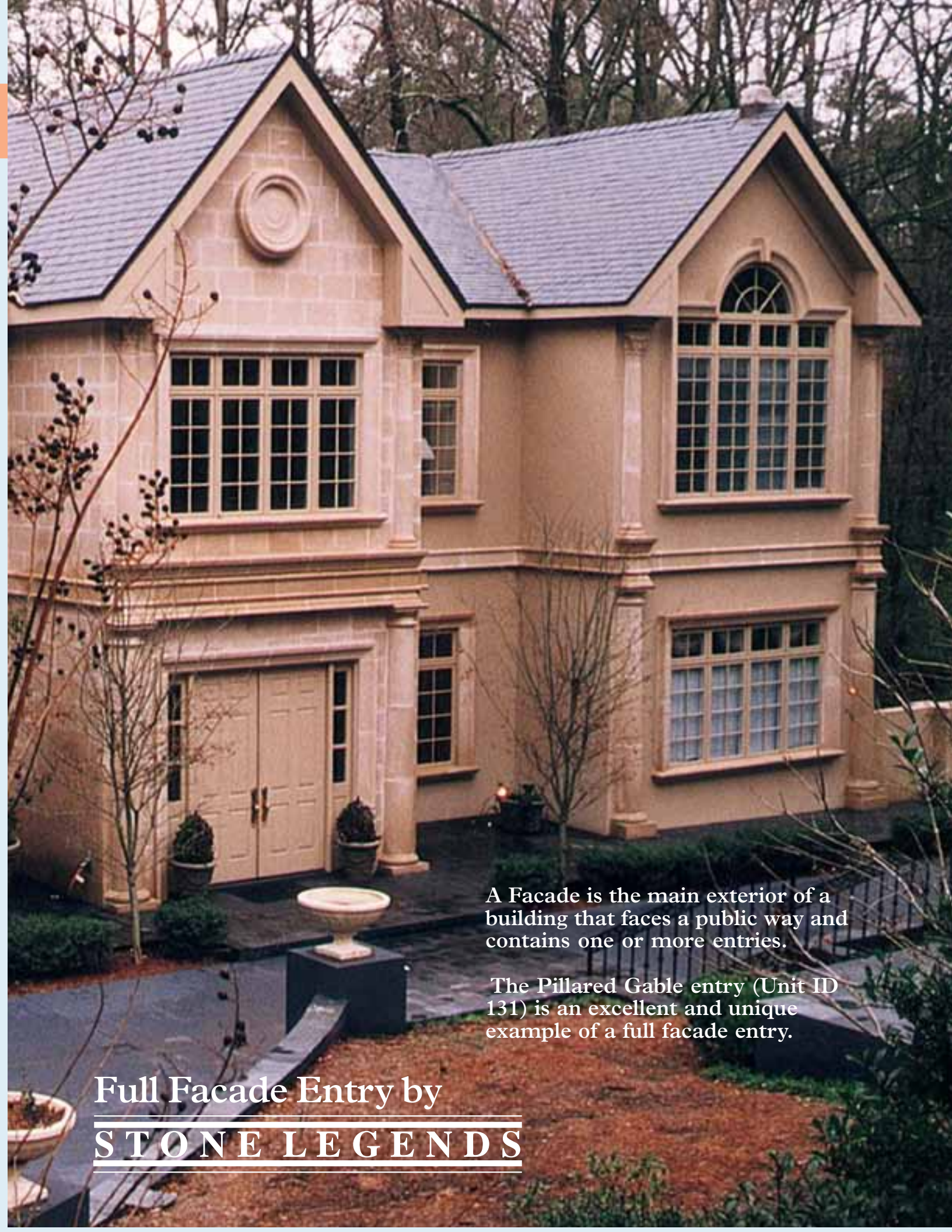
Type Description	Primary View	View Modifiers							Surname		
Entry	Portico	Column							Unit ID	Cost Factor	Weight
Tuscan Odyssey	X	Z	Y	XX	ZZ	YY	R	RR	255	256000	12400
	120"	72"	120"	142 5/8"	-	156 1/2"	-	-			

Type Description	Primary View	View Modifiers							Surname		
Entry	Portico	Column							Unit ID	Cost Factor	Weight
Tuscan Vercelli	X	Z	Y	XX	ZZ	YY	R	RR	14085	308700	10033
	157 7/16"	120"	112 3/4"	195 7/16"	-	180 5/8"	114"	-			

Type Description	Primary View	View Modifiers							Surname		
Entry	Portico	Column	Pilaster						Unit ID	Cost Factor	Weight
Woodhaven Manor	X	Z	Y	XX	ZZ	YY	R	RR	14107	283500	7658
	87 1/2"	47 5/16"	102"	102"	59 5/8"	152 5/8"	-	-			

301 Pleasant Drive • Dallas, TX 75217
(800) 398-1199 • FAX (214) 398-1293
www.stonelegends.com • sales@stonelegends.com

STONE LEGENDS



A Facade is the main exterior of a building that faces a public way and contains one or more entries.

The Pillared Gable entry (Unit ID 131) is an excellent and unique example of a full facade entry.

Full Facade Entry by
STONE LEGENDS

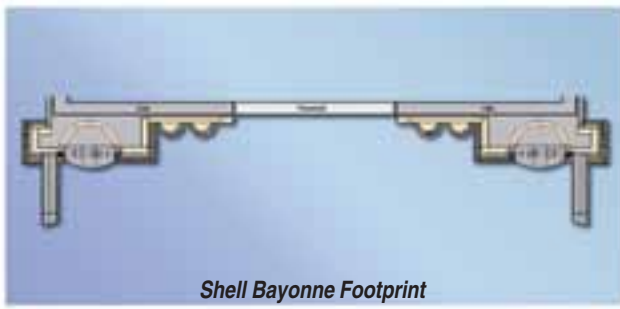
Full Facade Entry



Shell Bayonne

Unit ID 208

A lifetime treasure, cast stone entries will leave everlasting impressions for generations to come like this Shell Bayonne (Unit ID 208).



Shell Bayonne Footprint



Shell Bayonne

Unit ID 208

Type Description	Primary View		View Modifiers						Surname		
Entry	Full Facade		Circle Top Pilaster Entablature Niche Ornament						Shell Bayonne		
	X	Z	Y	XX	ZZ	YY	R	RR	Unit ID	Cost Factor	Weight
Shell Bayonne	75"	26 ¹⁵ / ₁₆ "	96"	331 ⁷ / ₈ "	-	386"	37 ¹ / ₂ "	-	208	1428000	100000

Type Description	Primary View		View Modifiers						Surname		
Entry	Full Facade		Square Top Pilaster Entablature Ornament						Pillared Gable		
	X	Z	Y	XX	ZZ	YY	R	RR	Unit ID	Cost Factor	Weight
Pillared Gable	100 ¹ / ₂ "	10 ⁷ / ₁₆ "	98"	163 ¹ / ₄ "	-	240"	-	-	131	621000	15751

301 Pleasant Drive • Dallas, TX 75217
 (800) 398-1199 • FAX (214) 398-1293
 www.stonelegends.com • sales@stonelegends.com

STONE LEGENDS

Do
It
The
Easy
Way!

Our Stone Experts can help you to make the perfect First Impression.

Send us your plans for a complete cost estimate.

In return you will get a line item bid crossed-referenced to a graphic representation of your plans.

Send Us
Your Plans!

STONE LEGENDS

301 Pleasant Drive • Dallas, TX 75217
(800) 398-1199 • FAX (214) 398-1293
www.stonelegends.com • sales@stonelegends.com

Grand / Spiral Stair Legend

Pricing Legend

Grand/Spiral Stair costs are calculated based on an **Each Unit Basis**.

Refer to the **Stone Legends Pricing Legend**, located as an insert at the back of the catalog, for more information on calculating stone costs for catalog units.

Refer to **Chapter 7 - Patio and Pool** for more stair information and options.

Organization Guide

- Type Description
- Primary View
- Surname / Profile
- Dimension

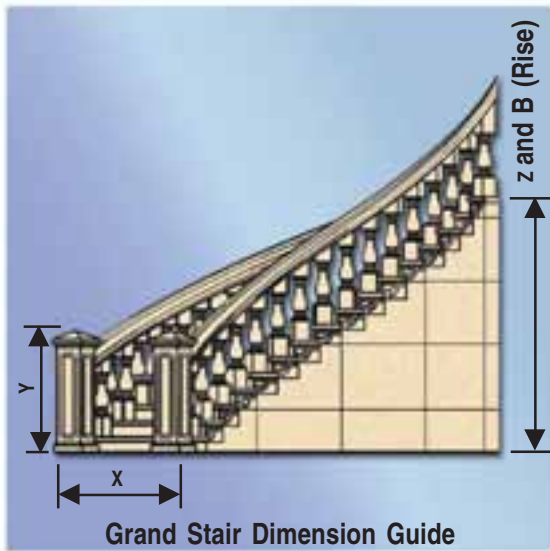
Listed below are available catalog options as shown in this chapter. Refer to page 6 for a complete list of available TypeDescriptions, PrimaryViews and Modifiers.



Spiral stairs were designed originally for defense after the fall of Rome left much of Europe open to warfare. By the 11th century, narrow spiral staircases made of stone were an important part of the defense of any castle or keep.

Designers realized that most swordsmen, being right-handed, had a tremendous advantage. A single warrior backing up a clockwise stairway, swinging a heavy sword with gravity, could hold off a more numerous enemy almost indefinitely. Attackers were forced to fight up the stair with an awkward backhand, hampered by the narrowness of the spiral. As the years passed, the need for military defense declined. The narrow, defensible, tight spiral gave way to the elegant grand stairway that announced the ascent into Society.


Product Groups	Type Descriptions	Primary Views	Modifiers
Grand Stair	Grand Stairs	GrandStair Spiral	NewelPier Treads FinishedEnd



- X** Width of a unit. A control dimension.
- XX** Overall maximum width of a unit.
- Z** Maximum depth of stone in a unit.
- Y** Height of a unit. A control dimension.
- YY** Overall maximum height of a unit.
- R** Radius of a unit.
- B** Rise of an unit. From finish floor to finish floor.

301 Pleasant Drive • Dallas, TX 75217
 (800) 398-1199 • FAX (214) 398-1293
 www.stonelegends.com • sales@stonelegends.com

STONE LEGENDS



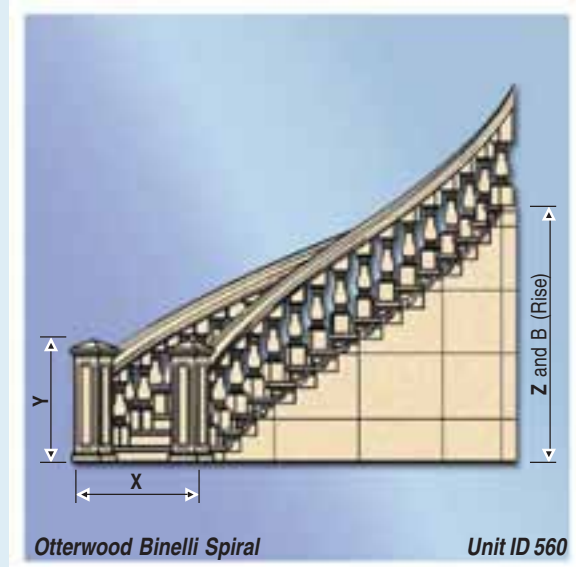
The Otterwood2A Binelli1 Spiral
(Unit ID 560) gives a breathtaking
first impression everytime you
enter the room.

Grand Stair by
STONE LEGENDS



Otterwood Binelli Spiral

Unit ID 560



Otterwood Binelli Spiral

Unit ID 560

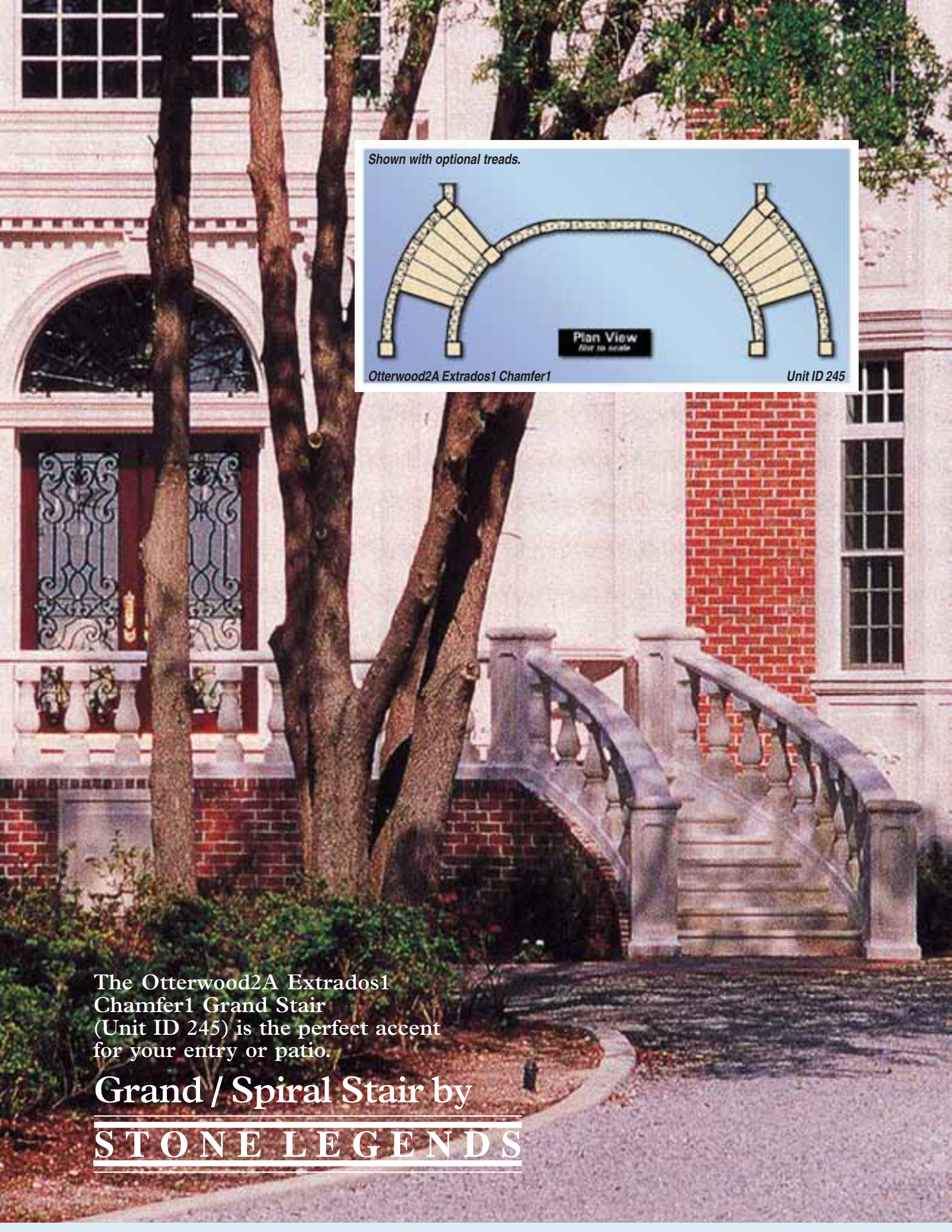
Type Description	Primary View	View Modifiers	Sumame						
Stair	Grand Stair	Newel Pier	Otterwood2A						
	X	Z	Y	R(radius)	B(Rise)	Unit ID	Cost Factor	Weight	
Otterwood2A Binelli1	45 ⁷ / ₁₆ "	140"	69 ³ / ₄ "	73 ¹ / ₂ "	140"	560	1750000	42600	
<i>Includes both sides of the double spiral, decorative tread brackets, Binelli1 hand rail, Otterwood2A balusters with lugs, stair treads and risers, radius side walls and four Caprice1 Binelli1 Chamfer1 Newel Piers. Base rail not included.</i>									

Type Description	Primary View	View Modifiers	Sumame						
Stair	Grand Stair	Newel Pier	Otterwood2A						
	X	Z	Y	R(radius)	B(Rise)	Unit ID	Cost Factor	Weight	
Otterwood2A Extradost1 Chamfer1	41 ⁵ / ₈ "	96"	52 ³ / ₈ "	64"	96"	15258	413911	11809	
<i>Includes Extradost1 hand rail, Chamfer1 base rail, Otterwood balusters with lugs, stair treads and risers, Otterwood2 Extradost1 Chamfer1 Grade Balustrade across landing and 2 Carriage1 Extradost1 Chamfer1 Newel Pier Units at the base of the stairs.</i>									

Type Description	Primary View	View Modifiers	Sumame						
Stair	Grand Stair	Finished End	Otterwood2A						
	X	Z	Y	R(radius)	B(Rise)	Unit ID	Cost Factor	Weight	
Otterwood2A Extradost1	38 ⁵ / ₈ "	98"	127"	115"	98"	14670	299315	8361	
<i>Includes inside and outside spirals of Extradost1 hand rail, Otterwood2A with lugs and Extradost1 Volute Caps at the base of the stairs. No base rail included.</i>									

301 Pleasant Drive • Dallas, TX 75217
 (800) 398-1199 • FAX (214) 398-1293
 www.stonelegends.com • sales@stonelegends.com

STONE LEGENDS



Shown with optional treads.

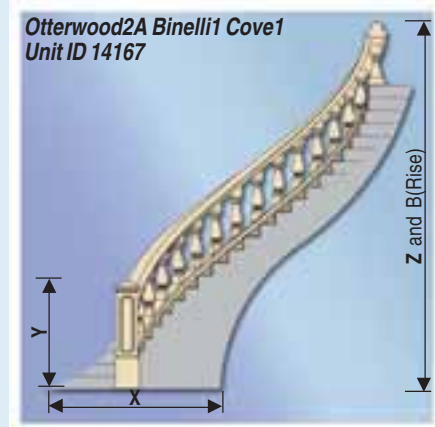


Otterwood2A Extrados1 Chamfer1

Unit ID 245

The Otterwood2A Extrados1 Chamfer1 Grand Stair (Unit ID 245) is the perfect accent for your entry or patio.

Grand / Spiral Stair by
STONE LEGENDS



Type Description Stair	Primary View Grand Stair	View Modifiers Newel Pier	Sumame Otterwood2A					
		Inner Radius	Outer Radius	B(Rise)	Unit ID	Cost Factor	Weight	
Otterwood2A	Extrados1	Chamfer1	109"	166 ³ / ₄ "	36"	245	567500	15250
Otterwood2A	Extrados1	Chamfer1	70 ¹ / ₂ "	125 ¹ / ₂ "	42"	9558	653000	11304
Otterwood2A	Extrados1	Chamfer1*	76"	134"	102"	16576	679701	21902
Otterwood2A	Extrados1	Chamfer1	124"	204"	108"	15410	693458	35501
Otterwood2A	Extrados1	Chamfer1*	163"	212"	128 ¹ / ₄ "	16575	726764	20100

*These units include treads and risers.

Type Description Stair	Primary View Grand Stair	View Modifiers Newel Pier	Sumame Otterwood2A					
		Inner Radius	Outer Radius	B(Rise)	Unit ID	Cost Factor	Weight	
Otterwood2A	Extrados1	Chamfer1	83"	133"	144"	16587	993594	23238

Type Description Stair	Primary View Spiral	View Modifiers Newel Pier	Sumame Otterwood2A					
		Inner Radius	Outer Radius	B(Rise)	Unit ID	Cost Factor	Weight	
Otterwood2A	Extrados1	Cove1	290 ³ / ₄ "	561 ³ / ₄ "	48"	14265	516966	13927

Type Description Stair	Primary View Spiral	View Modifiers Newel Pier	Sumame Otterwood2A					
		Inner Radius	Outer Radius	B(Rise)	Unit ID	Cost Factor	Weight	
Otterwood2A	Extrados1	Chamfer1	107 ¹⁵ / ₁₆ "	110 ¹ / ₂ "	48"	16125	248873	10344
Otterwood2A	Extrados1	Chamfer1	76 ¹ / ₂ "	129"	136"	1385	740000	19450

Type Description Stair	Primary View Spiral	View Modifiers Newel Pier	Sumame Otterwood2A				
		Radius	B(Rise)	Unit ID	Cost Factor	Weight	
Otterwood2A	Binelli1	Cove1	64 ³ / ₄ "	163 ¹ / ₂ "	14167	251406	6926

Includes single Binelli1 left helical hand rail, Cove1 left helical base rail, Otterwood2A balusters, Radius Tread Brackets and one Caprice1 Extrados1 Cove1 newel with oversize base for extra height.

301 Pleasant Drive • Dallas, TX 75217
 (800) 398-1199 • FAX (214) 398-1293
 www.stonelegends.com • sales@stonelegends.com

STONE LEGENDS

Do
It
The
Easy
Way!

Our Stone Experts
can help you to
make the perfect
First Impression.

Send us your plans
for a complete
cost estimate.

In return
you will get
a line item
bid crossed-
referenced to
a graphic
representa-
tion of your
plans

Send Us
Your Plans!

STONE LEGENDS

301 Pleasant Drive • Dallas, TX 75217
(800) 398-1199 • FAX (214) 398-1293
www.stonelegends.com • sales@stonelegends.com

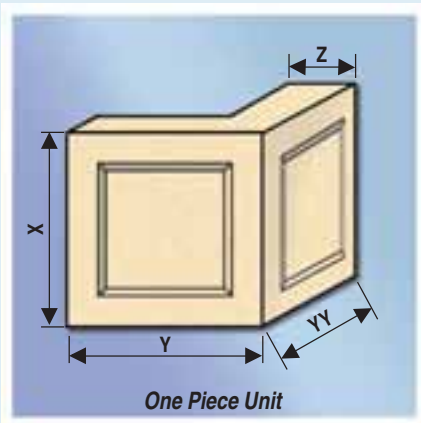
Quoins Legend

Organization Guide

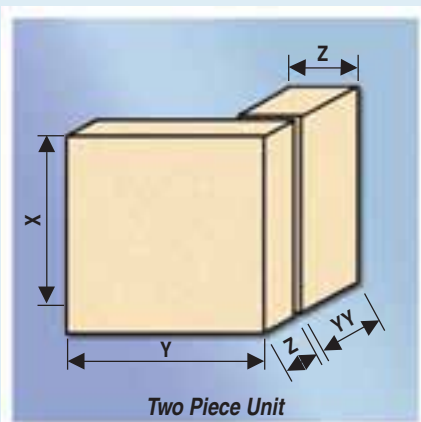
- Type Description
- Primary View
- Surname / Profile
- Dimension

Listed below are available catalog options as shown in this chapter. Refer to page 6 for a complete list of available TypeDescriptions, PrimaryViews and Modifiers.

Product Groups	Type Descriptions	Primary Views	Modifiers
Quoins	Quoins	OnePiece TwoPiece	90Degree



Profile options, like the chamfer recess above, give added visual depth and unlimited design possibilities. Tracery, ropes, and flora are just a few custom options to add dramatic differences to your quoins. Upcharges apply to custom units.



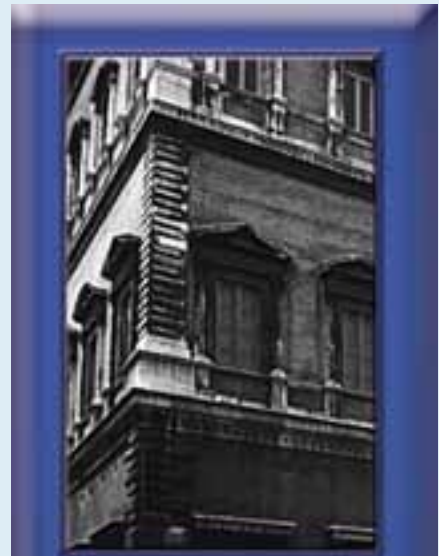
Also known as corner stones, quoins add sophistication to any design. Our quoins are available either flat or chamfered, in one-piece or two-piece 90° corner designs. In addition, quoins may be on one face only or wrap the corner for both. The depth of your quoin will be determined by your building material—for instance brick and stone require deeper quoins than does stucco. The height and width will be determined by your style, typically by your architect. We have many standard sizes available, but customizing is always an option.

- X** = Maximum height of the quoin face (elevation).
- Y** = Maximum length of the quoin 90° to the visual face (elevation).
- Z** = Maximum depth of the quoin 90° perpendicular to the visual face (plan view).
- YY** = Side leg length perpendicular to the face length.

Pricing Legend

Quoin costs are calculated based on an **Each Unit Basis**.

Refer to the **Stone Legends Pricing Legend**, located as an insert at the back of the catalog, for more information on calculating stone costs for catalog units.



Dating back to ancient Rome, quoins were generally applied to the ashlar masonry employed to stop the rubble masonry or brickwork of walls at the angles.

Sometimes, to give greater importance to the angles of towers, the quoins were rusticated.

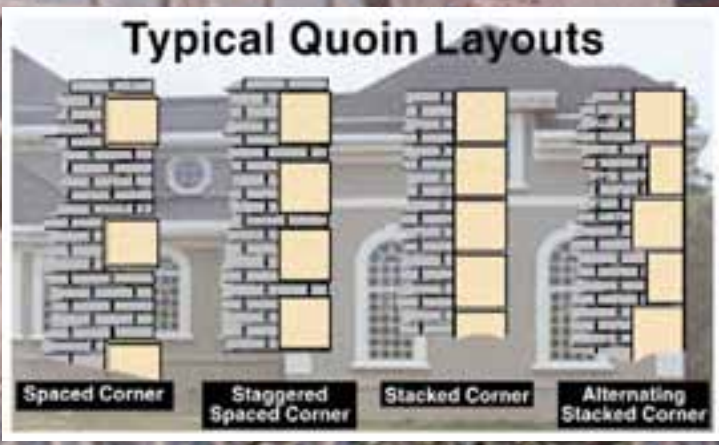
301 Pleasant Drive • Dallas, TX 75217
 (800) 398-1199 • FAX (214) 398-1293
 www.stonelegends.com • sales@stonelegends.com

STONE LEGENDS

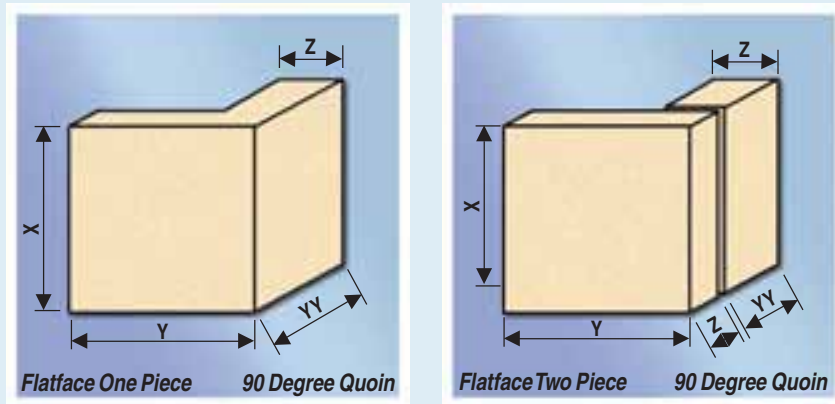


A Quoin is one of a series of stones used to mark or visually enforce corners of a building, often through contrasting shapes.

The Flatface TwoPiece6 (Unit ID 9337) quoin shown is a perfect example of this visual style.



Quoins by STONE LEGENDS



Type Description
Quoins

	Primary View One Piece		View Modifiers 90 Degree		Surname Flatface			Unit ID	Cost Factor	Weight
	X	Z	Y	XX	ZZ	YY				
Flatface1	10 ¹ / ₈ "	6"	18 ¹ / ₈ "	-	-	12"	9327	1824	109	
Flatface2	11 ⁵ / ₈ "	4"	11 ⁵ / ₈ "	-	-	11 ⁵ / ₈ "	707	1700	66	
Flatface3	11 ⁵ / ₈ "	4"	15 ⁵ / ₈ "	-	-	15 ⁵ / ₈ "	708	1820	95	
Flatface9	12"	5"	18"	-	-	12"	15386	1800	113	
Flatface11	12 ¹ / ₂ "	4"	24"	-	-	14"	15538	1954	128	
Flatface4	13"	4"	24"	-	-	14"	9328	1976	132	
Flatface5	13 ¹ / ₂ "	3 ¹ / ₂ "	33"	-	-	13"	9329	2174	150	
Flatface6	15 ⁵ / ₈ "	3 ⁵ / ₈ "	16"	-	-	16"	9330	1840	125	
Flatface10	16"	4"	16"	-	-	8"	14468	1536	77	
Flatface7	16"	5"	12"	-	-	12"	790	1920	114	
Flatface12	18"	4"	20"	-	-	16"	16402	3456	173	
Flatface8	21"	6"	24"	-	-	24"	9331	6048	396	

Type Description
Quoins

	Primary View Two Piece		View Modifiers 90 Degree		Surname Flatface			Unit ID	Cost Factor	Weight
	X	Z	Y	XX	ZZ	YY				
Flatface1	10"	4"	12"	-	-	7 ⁵ / ₈ "	9332	1600	60	
Flatface2	12"	2 ¹ / ₂ "	12"	-	-	9 ⁵ / ₈ "	9333	1640	45	
Flatface19	12"	2 ¹ / ₂ "	12"	-	-	6 ⁵ / ₈ "	14470	1623	42	
Flatface3	12"	4"	12"	-	-	7 ⁵ / ₈ "	9334	1700	72	
Flatface4	13"	2 ¹ / ₂ "	13"	-	-	10 ¹ / ₈ "	9335	1660	56	
Flatface5	14"	2"	14"	-	-	11 ⁵ / ₈ "	9336	1695	55	
Flatface6	15"	4"	15"	-	-	10 ⁵ / ₈ "	9337	1855	115	
Flatface7	16"	4"	16"	-	-	11 ⁵ / ₈ "	9338	2048	132	
Flatface8	17"	4"	17"	-	-	12 ⁵ / ₈ "	9339	2312	153	
Flatface9	18"	2"	18"	-	-	15 ⁵ / ₈ "	9340	1700	90	
Flatface20	18"	2 ¹ / ₂ "	18"	-	-	12 ⁵ / ₈ "	14471	1923	103	
Flatface10	18"	3"	18"	-	-	14 ⁵ / ₈ "	9341	2146	131	
Flatface11	18"	4"	18"	-	-	13 ⁵ / ₈ "	9342	2592	170	
Flatface12	21"	2"	21"	-	-	18 ⁵ / ₈ "	9343	1764	125	
Flatface13	21"	6"	21"	-	-	14 ⁵ / ₈ "	9344	5292	335	
Flatface14	24"	2"	24"	-	-	21 ⁵ / ₈ "	9345	2304	164	
Flatface15	24"	4"	24"	-	-	19 ⁵ / ₈ "	9346	4608	313	
Flatface16	24"	5"	24"	-	-	18 ⁵ / ₈ "	9347	5760	382	
Flatface17	32 ¹ / ₂ "	6"	32 ¹ / ₂ "	-	-	26 ¹ / ₈ "	9348	11407	855	
Flatface18	34"	4"	34"	-	-	29 ⁵ / ₈ "	9349	8704	648	

301 Pleasant Drive • Dallas, TX 75217
 (800) 398-1199 • FAX (214) 398-1293
 www.stonelegends.com • sales@stonelegends.com

STONE LEGENDS

Quoins, like the Chamfer Two Piece7 (Unit ID 12947), can make the bold statement that you desire while staying within the boundaries of your budget.

Quoins by
STONE LEGENDS



Type Description
Quoins

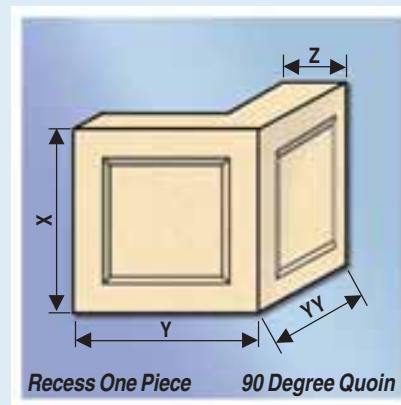
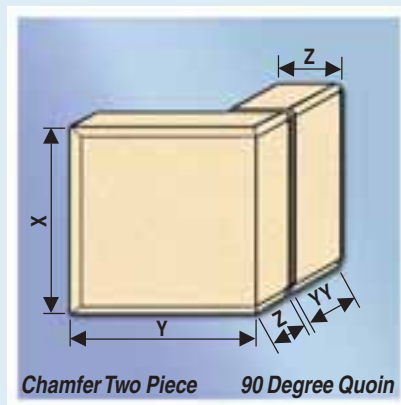
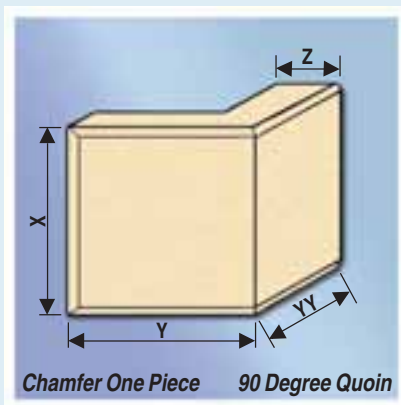
	Primary View		View Modifiers			Surname		Unit ID	Cost Factor	Weight
	X	Z	Y	XX	ZZ	YY	Chamfer			
Chamfer9	7 ⁵ / ₈ "	5 ¹ / ₂ "	16"	6 ¹ / ₈ "	4"	8"	14475	1319	54	
Chamfer1	12"	4 ¹ / ₂ "	18"	11"	4"	12"	233	1863	104	
Chamfer8	12"	5"	12"	10"	4"	12"	16508	1793	77	
Chamfer2	12"	5"	18"	10"	4"	12"	9048	2070	113	
Chamfer3	16"	5"	17"	14"	4"	17"	722	3125	174	
Chamfer4	16 ³ / ₄ "	5"	20"	14 ³ / ₄ "	4"	20"	791	3850	220	
Chamfer10	17 ⁹ / ₁₆ "	5"	21"	15 ⁹ / ₁₆ "	4"	12 ¹ / ₂ "	14466	3091	170	
Chamfer5	20"	5"	12"	18"	4"	12"	455	2760	143	
Chamfer6	20"	5"	20"	18"	4"	20"	456	4600	263	
Chamfer7	24"	4"	24"	22"	3"	24"	15520	4723	281	

Type Description
Quoins

	Primary View		View Modifiers			Surname		Unit ID	Cost Factor	Weight
	X	Z	Y	XX	ZZ	YY	Chamfer			
Chamfer1	10"	3"	20"	9 ¹ / ₂ "	2 ³ / ₄ "	16 ⁵ / ₈ "	9350	1955	82	
Chamfer2	12"	3"	12 ⁵ / ₈ "	10 ¹ / ₂ "	2 ¹ / ₄ "	12"	9352	2013	66	
Chamfer3	12"	3"	12"	11"	2 ¹ / ₂ "	7 ⁵ / ₈ "	9353	1930	53	
Chamfer4	12"	4"	16 ¹ / ₂ "	11"	3 ¹ / ₂ "	12 ¹ / ₈ "	9354	2140	104	
Chamfer8	12 ¹ / ₈ "	5"	17 ³ / ₄ "	10 ⁵ / ₈ "	4 ¹ / ₄ "	20 ³ / ₈ "	14444	2329	152	
Chamfer7	16"	4"	16"	15"	3 ¹ / ₂ "	11 ⁵ / ₈ "	12947	2279	119	
Chamfer9	18"	4"	18"	17"	3 ¹ / ₂ "	13 ⁵ / ₈ "	14476	2319	149	
Chamfer6	19"	2"	20"	18"	1 ¹ / ₂ "	17 ⁵ / ₈ "	12946	1979	101	
Chamfer5	24 ¹ / ₈ "	4 ⁵ / ₈ "	19 ¹ / ₈ "	22 ¹ / ₈ "	3 ⁵ / ₈ "	16"	9356	5184	297	

Type Description
Quoins

	Primary View		View Modifiers			Surname		Unit ID	Cost Factor	Weight
	X	Z	Y	XX	ZZ	YY	Recess			
Recess1	12"	5 ¹ / ₄ "	12"	-	-	12"	15522	1955	113	
Recess2	12"	5 ¹ / ₄ "	22 ¹ / ₄ "	-	-	22 ¹ / ₄ "	15523	3146	183	



301 Pleasant Drive • Dallas, TX 75217
 (800) 398-1199 • FAX (214) 398-1293
 www.stonelegends.com • sales@stonelegends.com

STONE LEGENDS

Wall Veneer Legend



The use of stone as a veneer covering a more pragmatic structural framing or bearing wall has been explored at least as far back as classical rome.

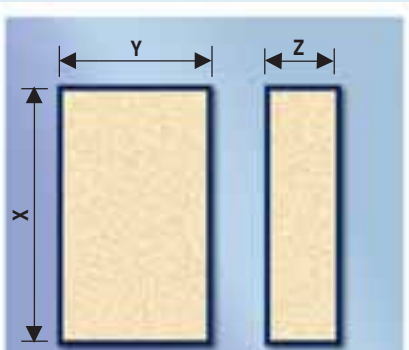
Later in history, stone veneer was used extensively in the construction of castles and towers.

Organization Guide

- Type Description
- Primary View
- Surname / Profile
- Dimension

Listed below are available catalog options as shown in this chapter. Refer to page 6 for a complete list of available TypeDescriptions, PrimaryViews and Modifiers.

Product Groups	Type Descriptions	Primary Views	Modifiers
Wall Veneer	Veneer	Rectangular Recessed Square	Stacked Staggered



Wall Veneer Dimension Guide

Sizes

- X = Maximum height (elevation).
- Y = Maximum length (elevation).
- Z = Maximum depth (plan view).

Veneer is an excellent compliment or alternative to the basic brick or stucco facade. With various options of sizes and profile shapes, you are left with unlimited options to choose from. Whether you use cast stone veneer for partial coverage applications or full facade applications, cast stone is sure to make a dramatic first impression. Cast stone veneer allows you unlimited design options at a competitive cost.

Pricing Legend

Veneer Panel costs are calculated based on an **Each Unit Basis**.

Refer to the **Stone Legends Pricing Legend**, located as an insert at the back of the catalog, for more information on calculating stone costs for catalog units.

STONE LEGENDS

301 Pleasant Drive • Dallas, TX 75217
 (800) 398-1199 • FAX (214) 398-1293
www.stonelegends.com • sales@stonelegends.com



Type Description
Panels, Cast

Primary View
Rectangular

View Modifiers

Sumame
Flatface

	X	Z	Y	ZZ	R	Unit ID	Cost Factor	Weight
Flatface10	17 ³ / ₄ "	2"	31 ³ / ₄ "	-	-	17744	1128	85
Flatface3	13 ³ / ₈ "	2 ¹ / ₂ "	26 ³ / ₈ "	-	-	17749	949	72
Flatface9	14"	2 ¹ / ₂ "	28"	-	-	17745	980	74
Flatface6	18"	2 ¹ / ₂ "	36"	-	-	16434	1620	122
Flatface5	35 ⁵ / ₈ "	2 ¹ / ₂ "	48"	-	-	17748	4277	321
Flatface1	11 ⁵ / ₈ "	3 ⁵ / ₈ "	24"	-	-	17751	1013	76
Flatface2	15 ⁵ / ₈ "	3 ⁵ / ₈ "	32"	-	-	17750	1811	136
Flatface8	15 ⁵ / ₈ "	3"	30"	-	-	17746	1407	106
Flatface4	13 ⁵ / ₈ "	4"	24"	-	-	14360	1374	103
Flatface7	20"	4"	30"	-	-	17747	2512	180

Type Description
Panels, Cast

Primary View
Recessed

View Modifiers
Rectangular

Sumame
Liberty

	X	Z	Y	ZZ	R	Unit ID	Cost Factor	Weight
Liberty1	15 ⁵ / ₈ "	3 ⁵ / ₈ "	47 ⁵ / ₈ "	-	-	14604	3342	211
Liberty2	15 ⁵ / ₈ "	3 ⁵ / ₈ "	23 ⁵ / ₈ "	-	-	14605	1615	102

Type Description
Panels, Cast

Primary View
Recessed

View Modifiers
Rectangular

Sumame
Recura

	X	Z	Y	ZZ	R	Unit ID	Cost Factor	Weight
RecuraPanel1	6 ³ / ₄ "	3"	23 ⁵ / ₈ "	-	-	931	583	37
RecuraPanel3	13 ¹ / ₈ "	3"	23 ⁵ / ₈ "	-	-	933	1122	71
RecuraPanel4	20 ¹ / ₈ "	3"	35 ⁷ / ₁₆ "	-	-	935	2625	166
RecuraPanel2	23 ⁵ / ₈ "	3"	35 ¹ / ₄ "	-	-	930	3020	191

301 Pleasant Drive • Dallas, TX 75217
(800) 398-1199 • FAX (214) 398-1293
www.stonelegends.com • sales@stonelegends.com

STONE LEGENDS

