



ph.800-398-1199 • fx.214-398-1293 • 301 Pleasant Drive • [Email Us](#)



[Products](#)

[Profile Shapes](#)

[Technical](#)

[Installation](#)

[Design Assistant](#)

Anchors

Quick Links

[Video Factory Tour](#)

[About Us](#)

[Portfolio](#)

[FAQ's](#)

[Glossary](#)

[Testimonials](#)

[Contact Us](#)

[Index And Sitemap](#)






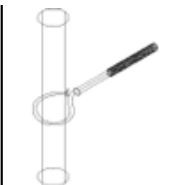
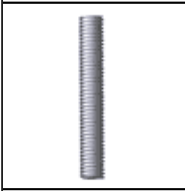
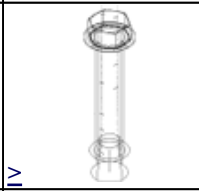
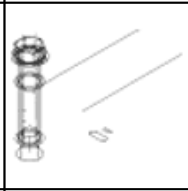


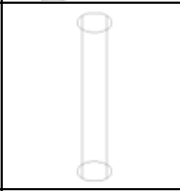

Become a Member of Stone Legends

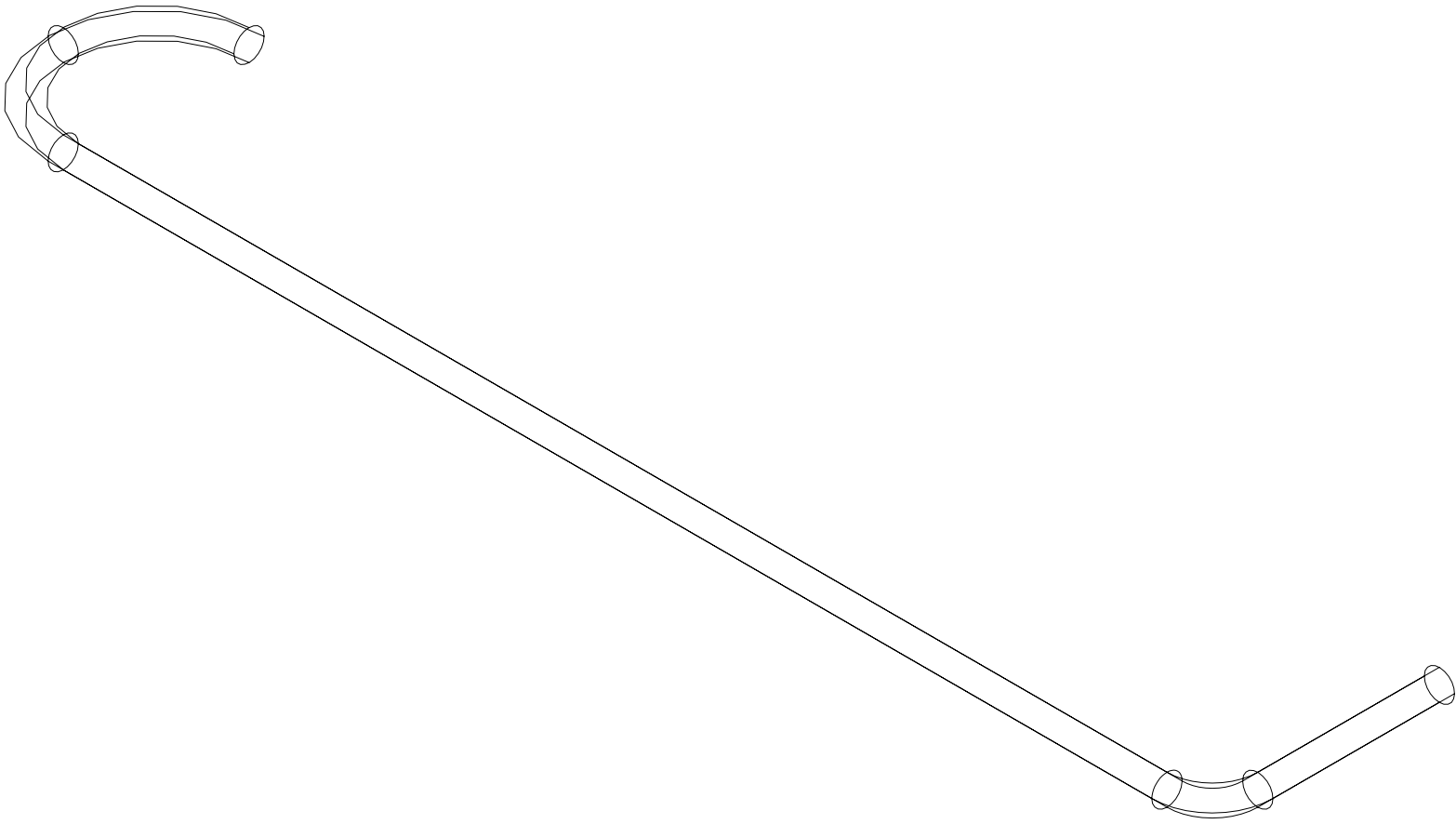
for access to our entire library

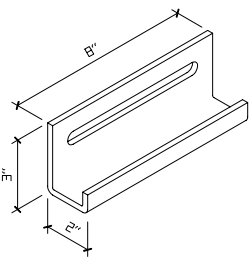
[More Steps...](#)

[More Stair Cases...](#)

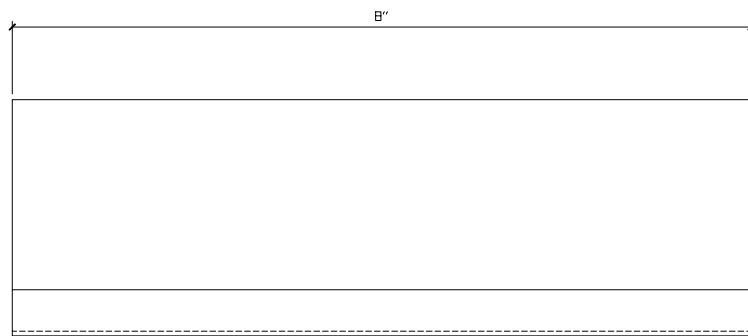
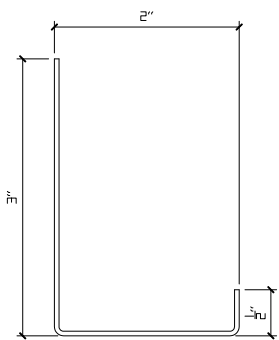
[Brochures...](#)

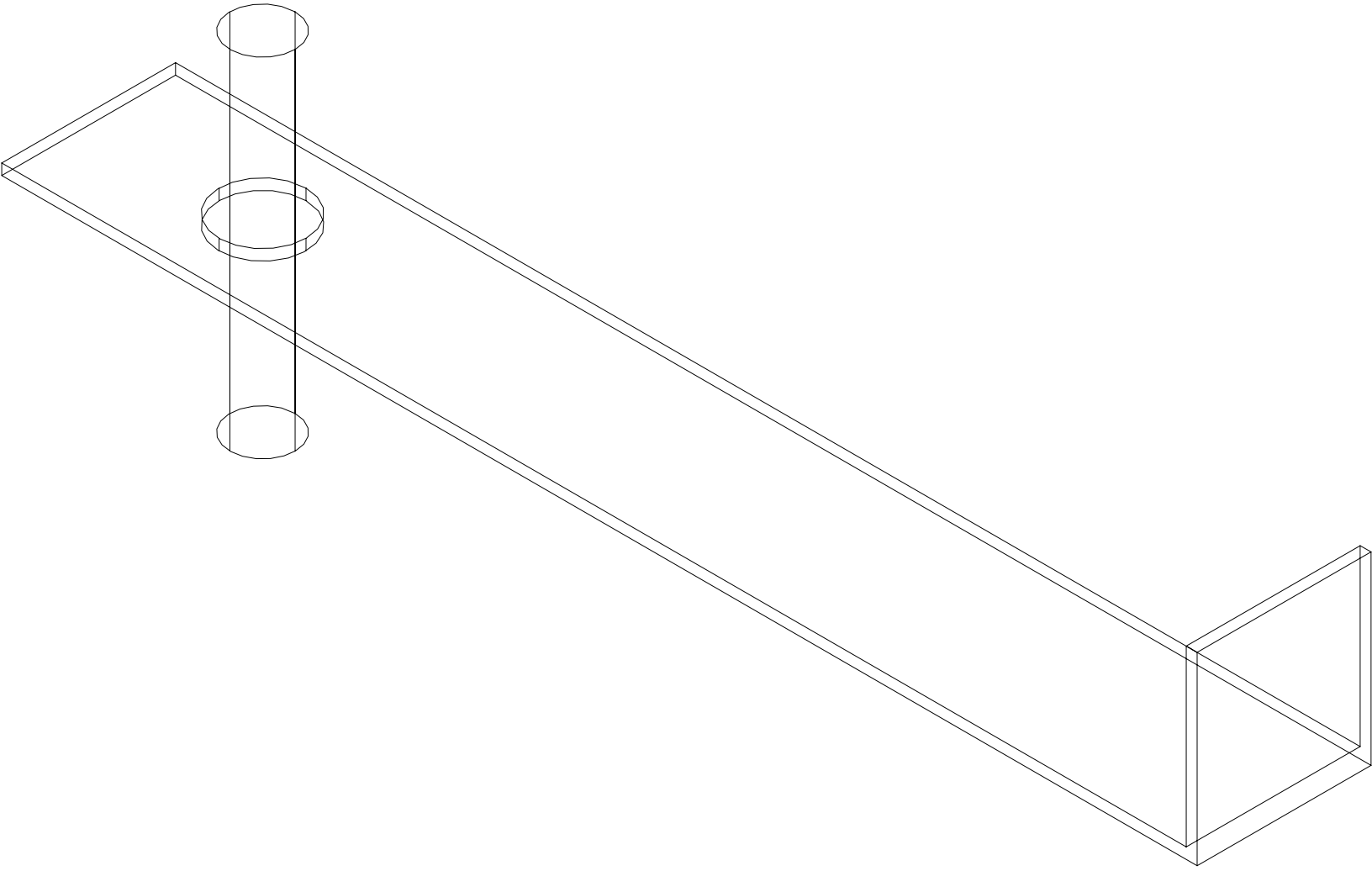
					
					
					

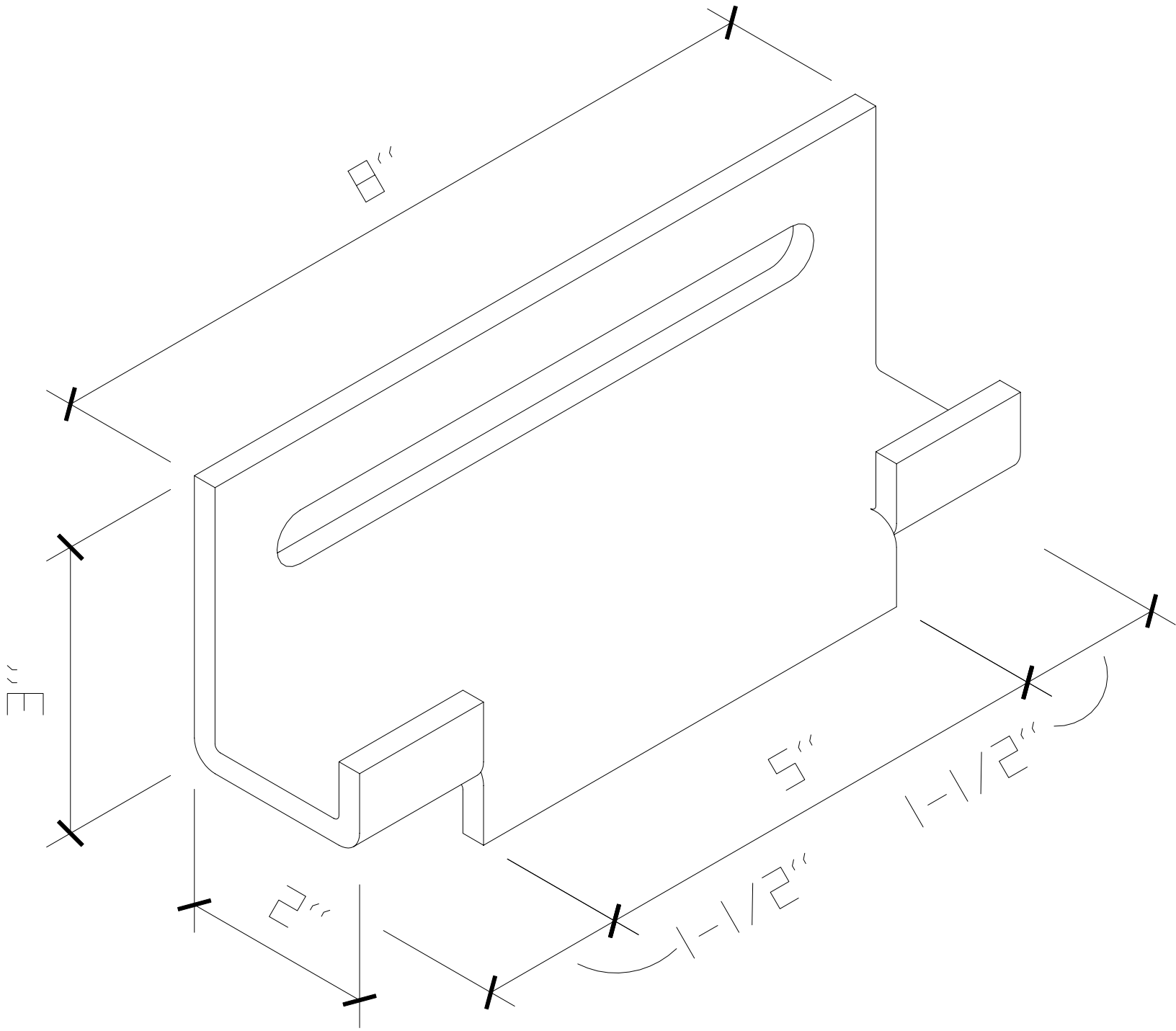




① ATTACHMENT OPTION
1-WAY CLIP ANCHOR

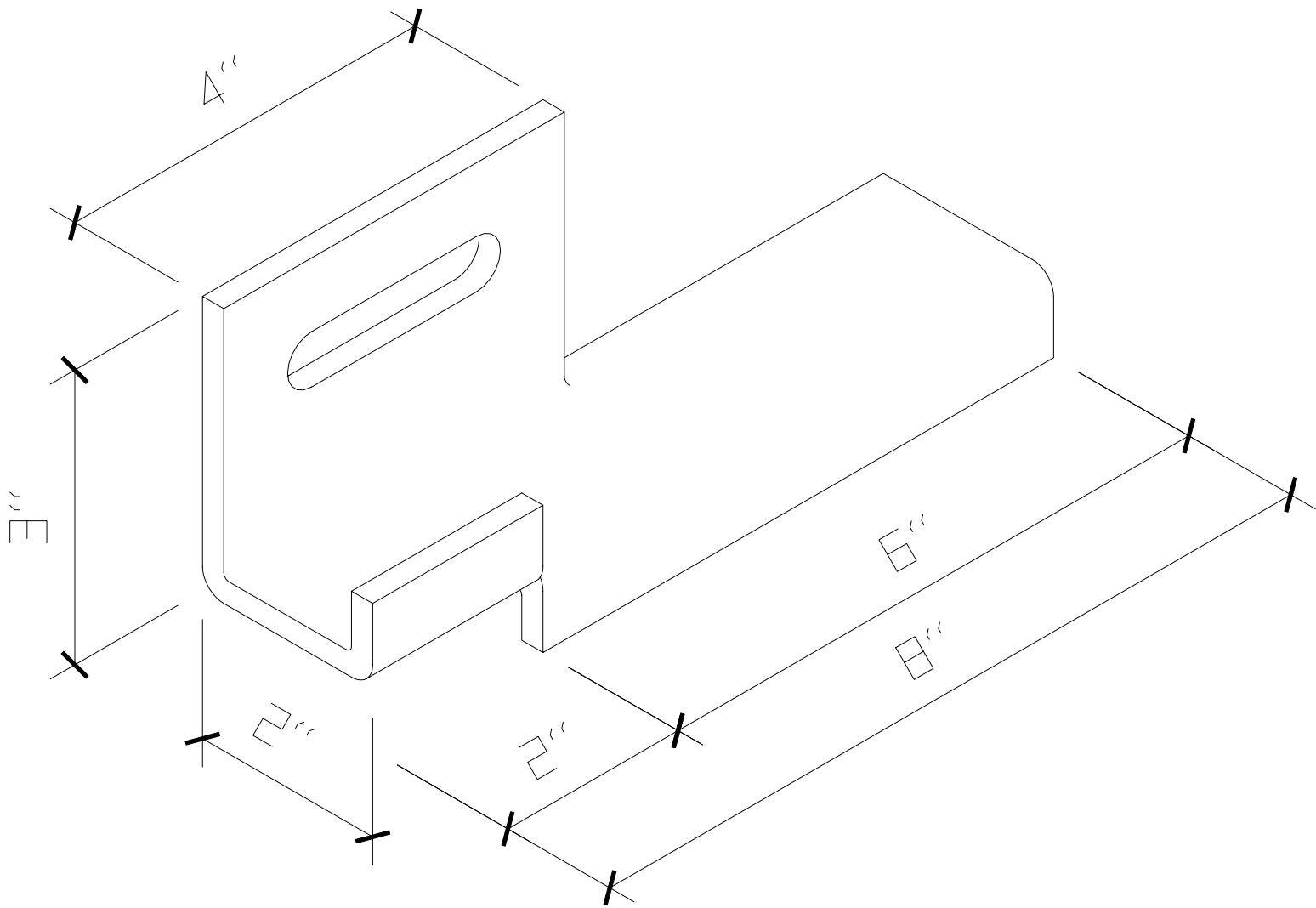






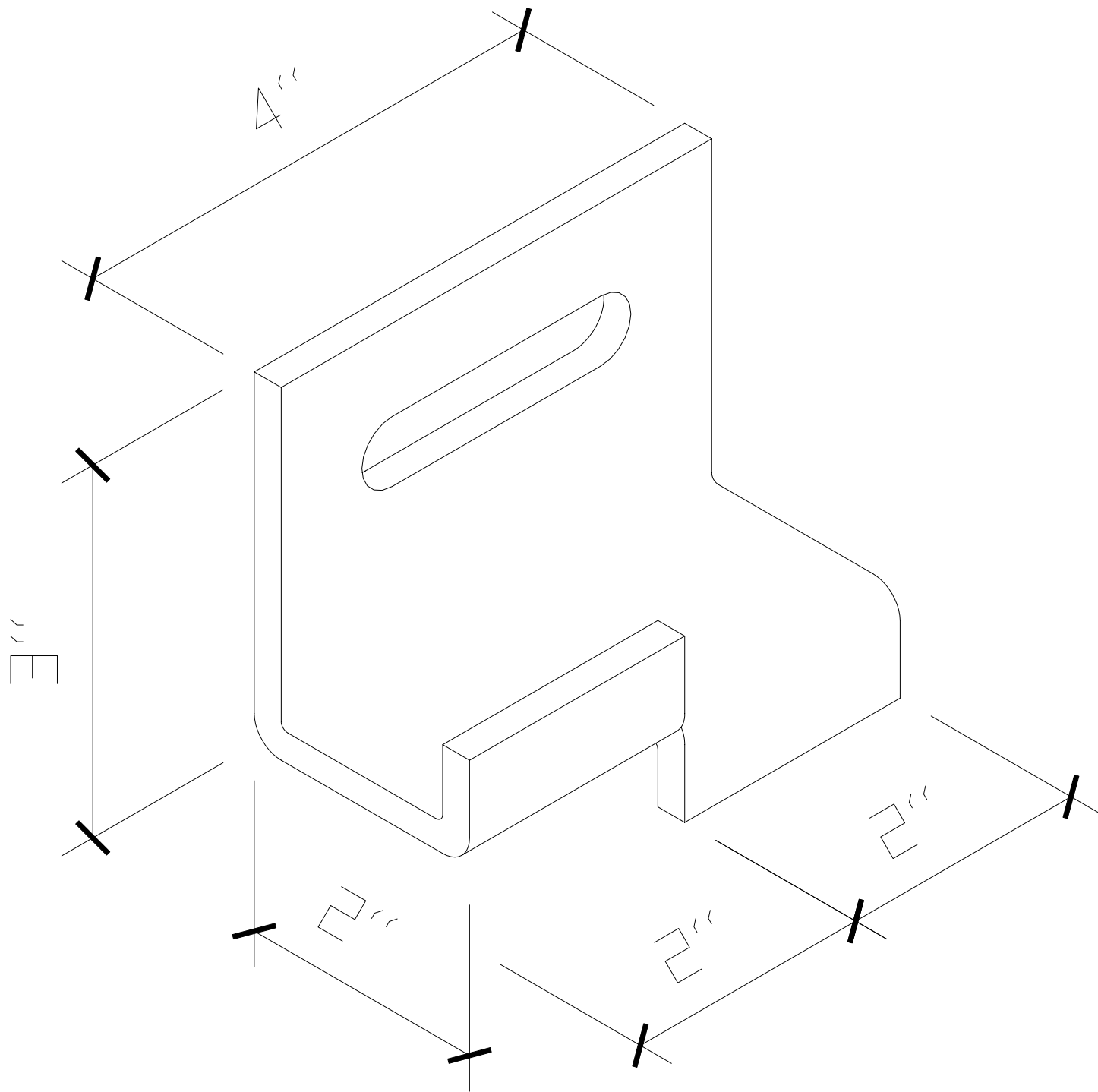
ATTACHMENT OPTION

5.5. 2-WAY CLIP ANCHOR



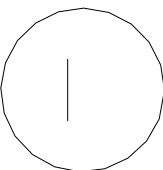
ATTACHMENT OPTION

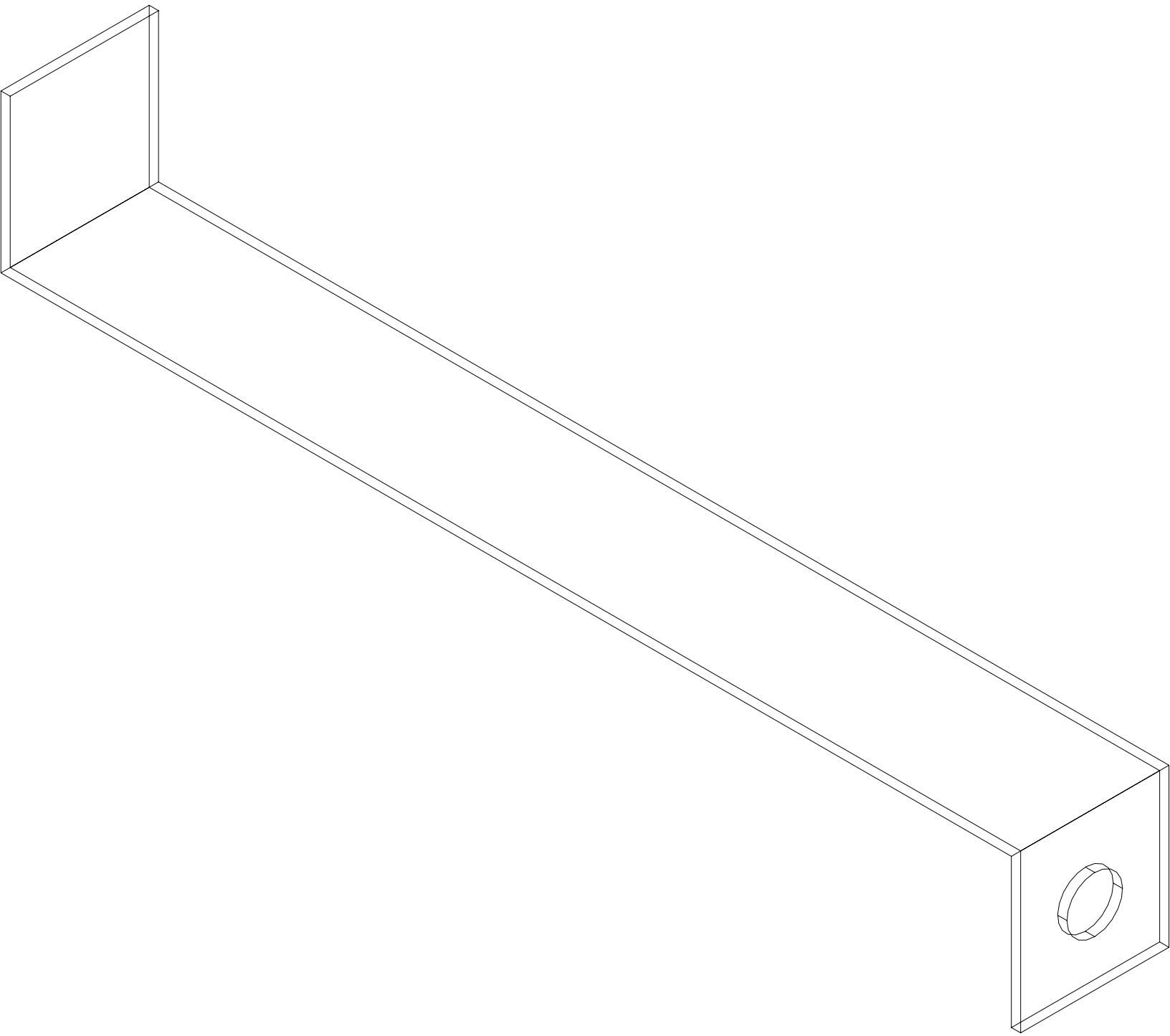
MODIFIED 2-WAY CLIP ANCHOR

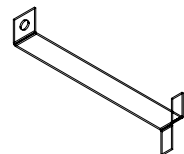


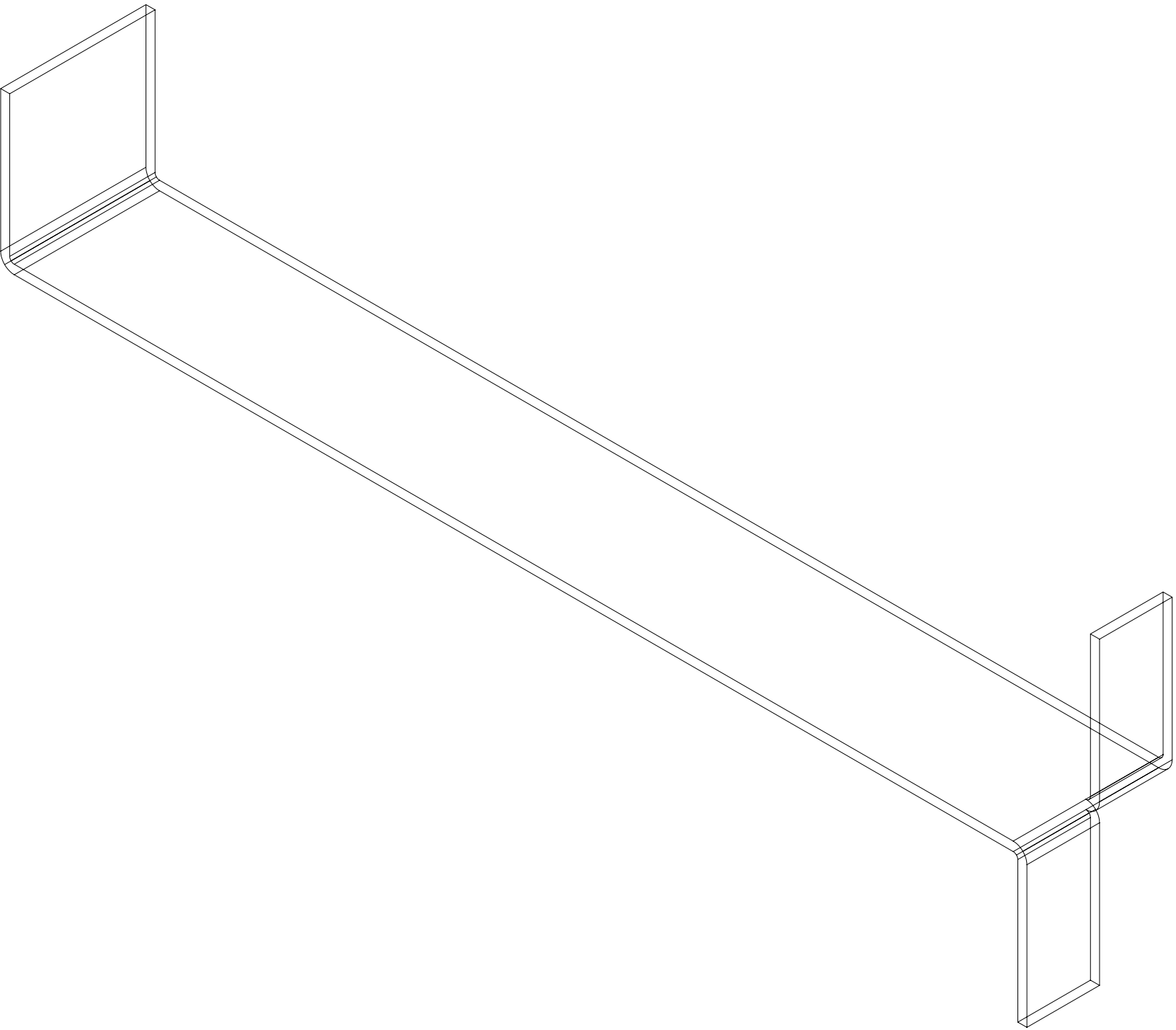
ATTACHMENT OPTION

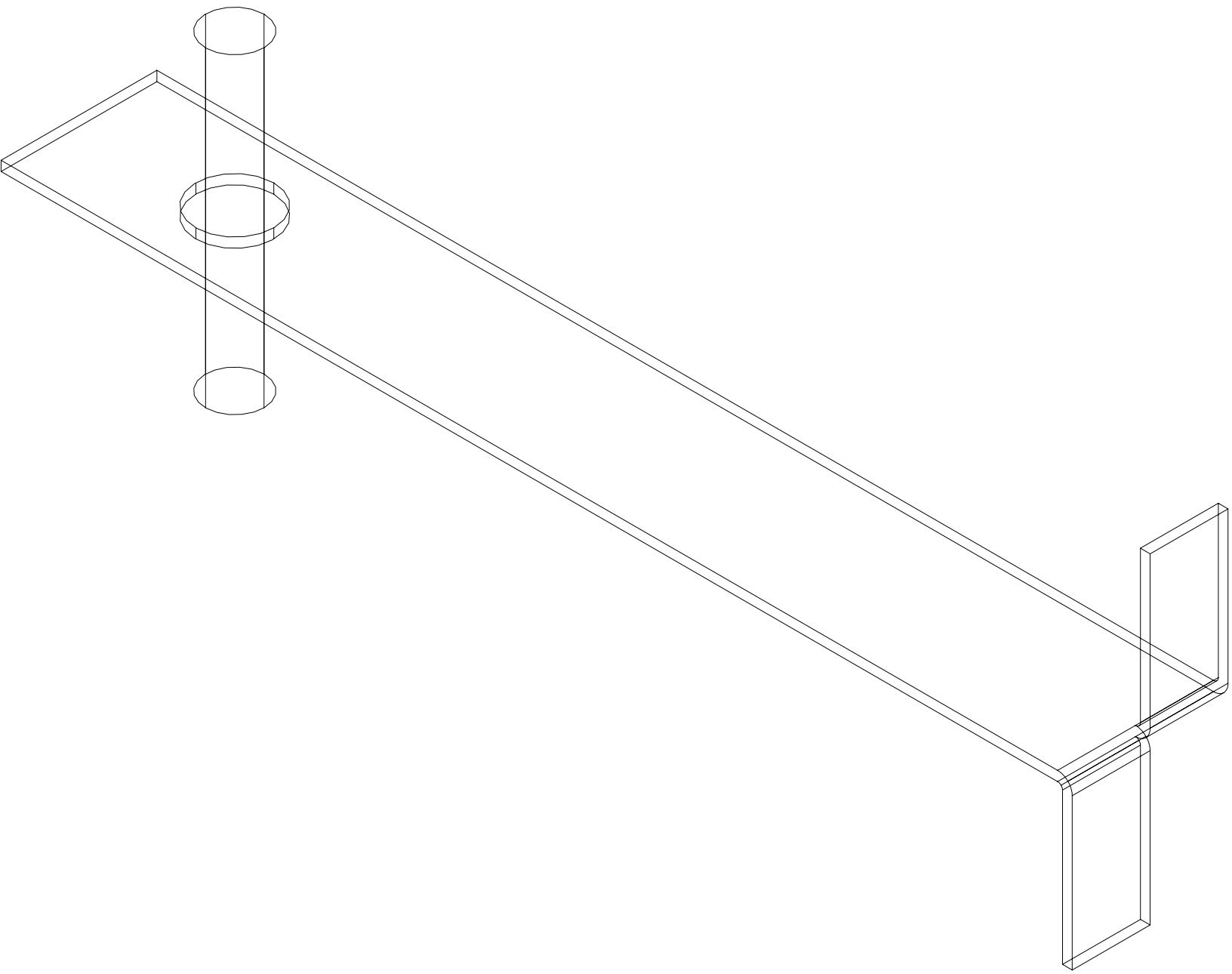
2-WAY CLIP ANCHOR

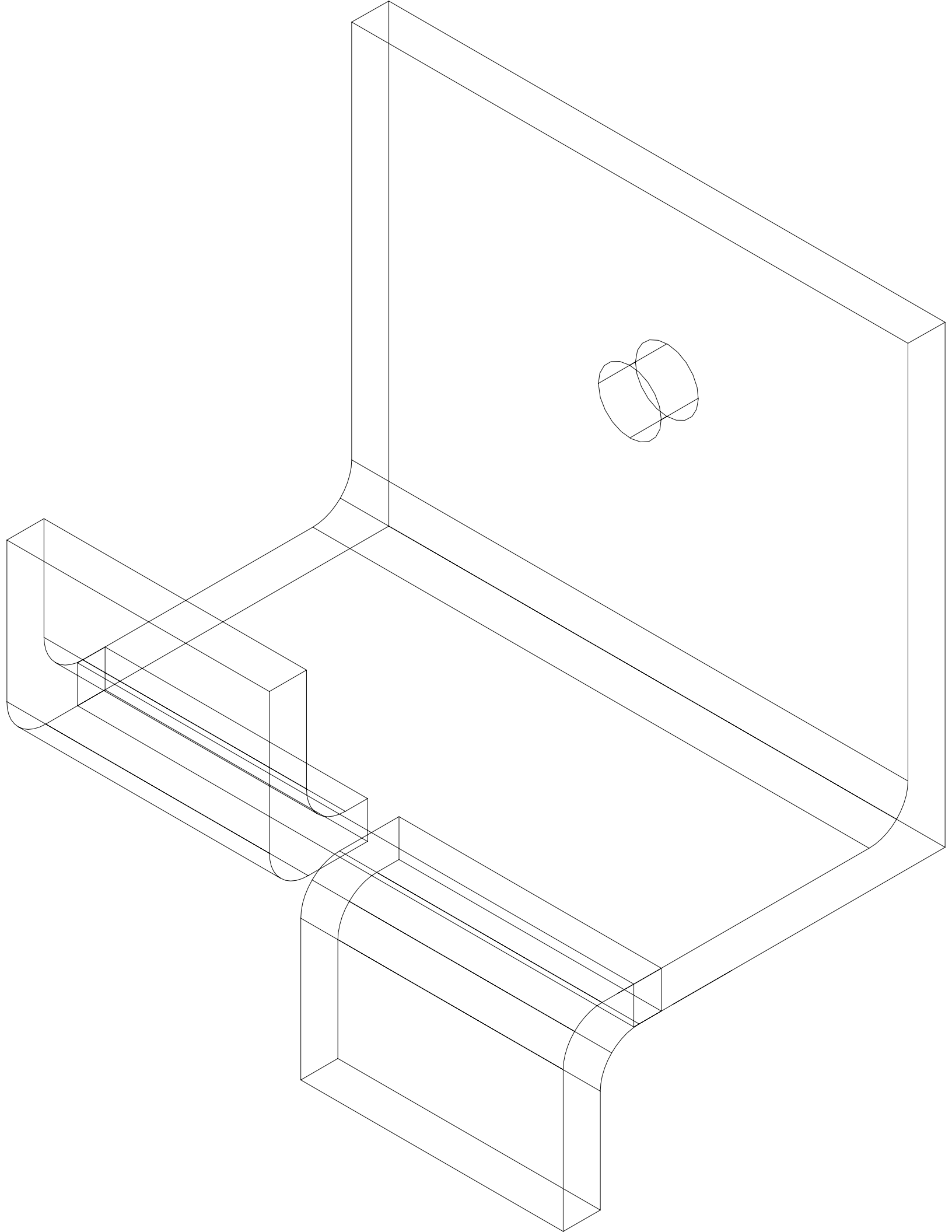


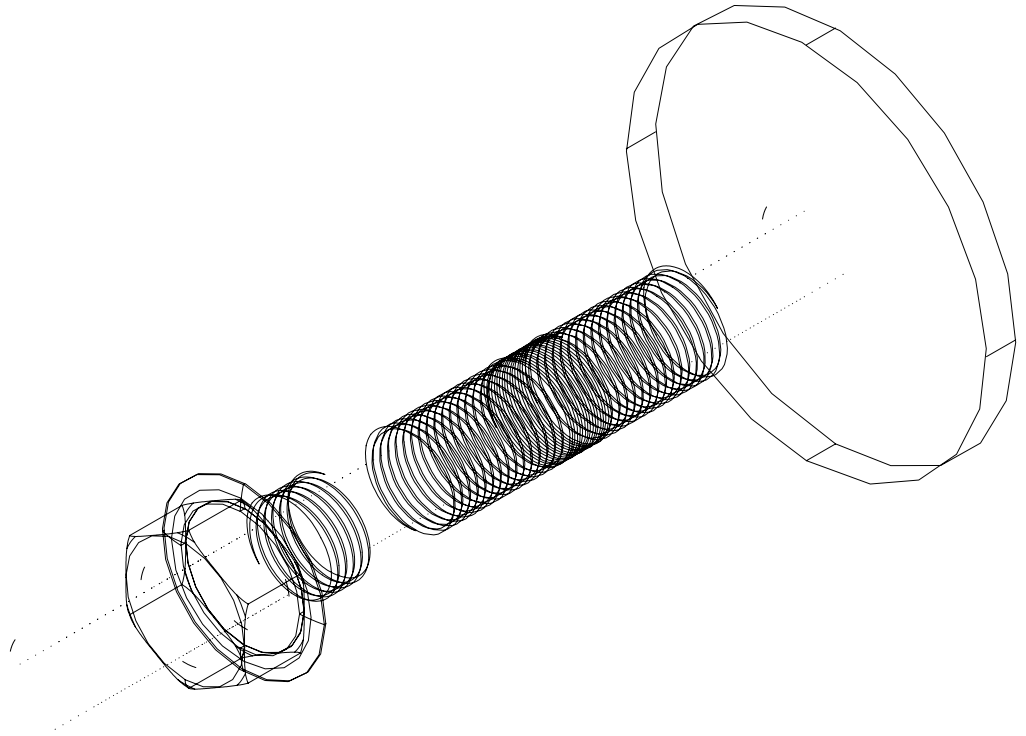


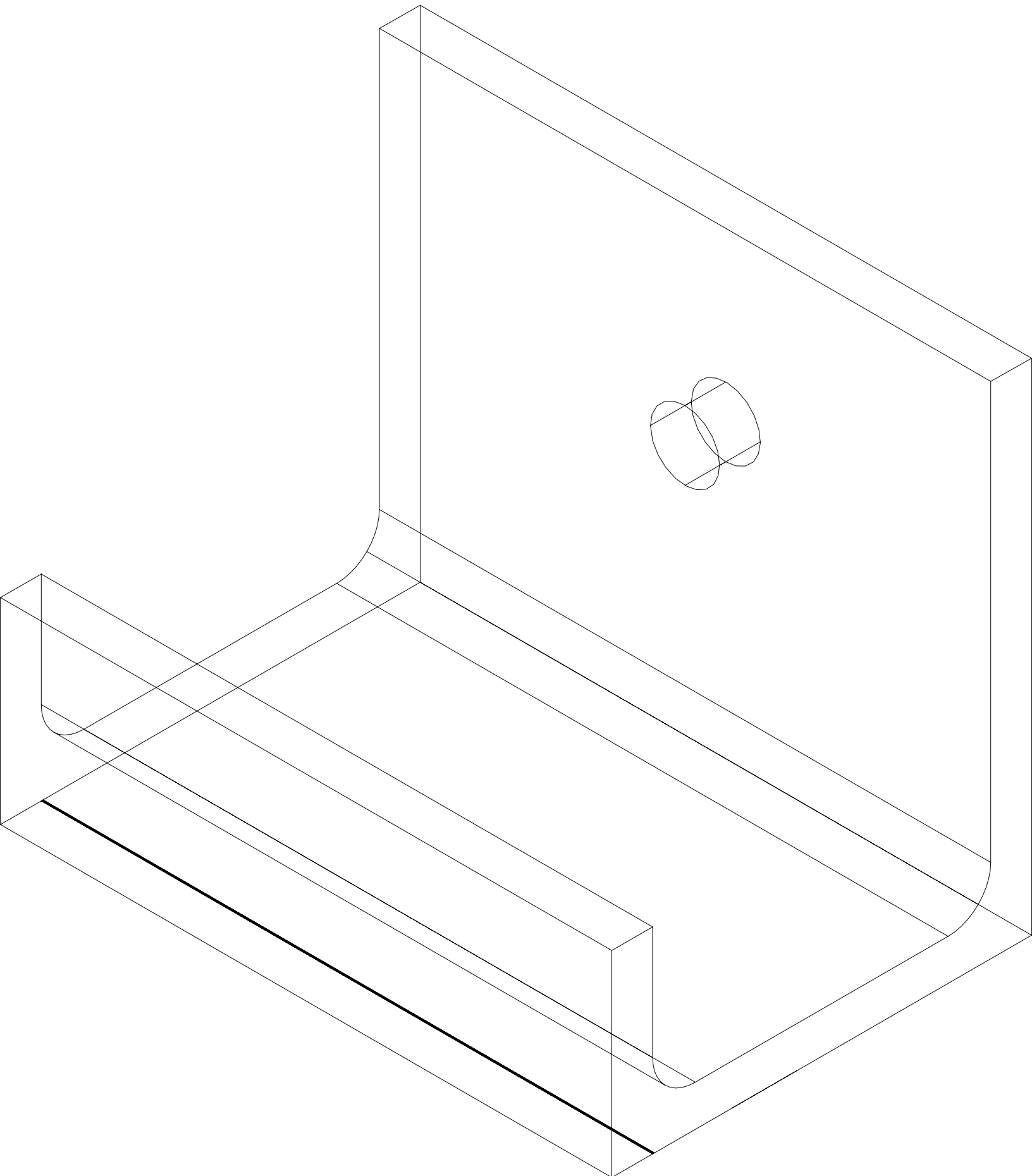


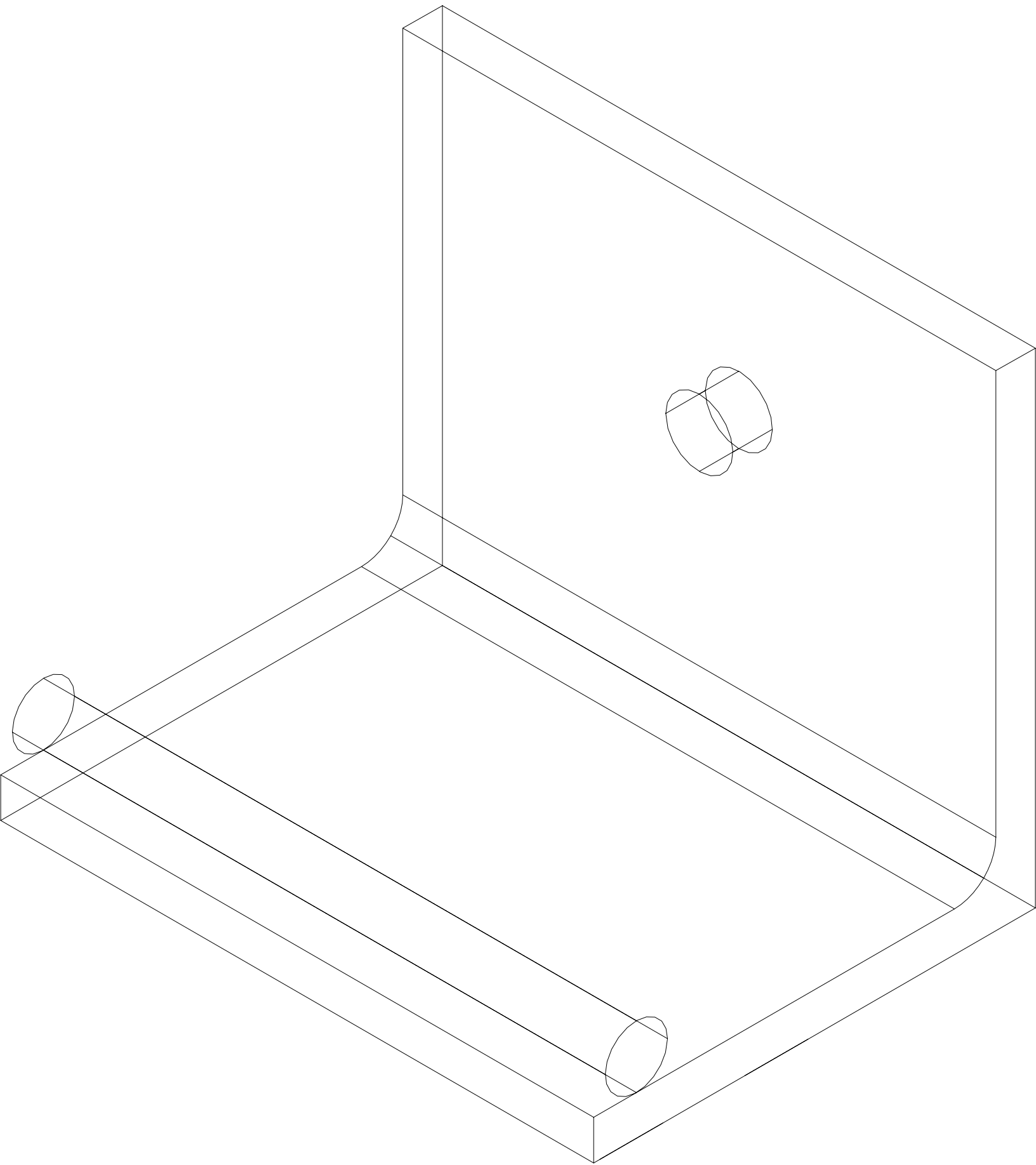


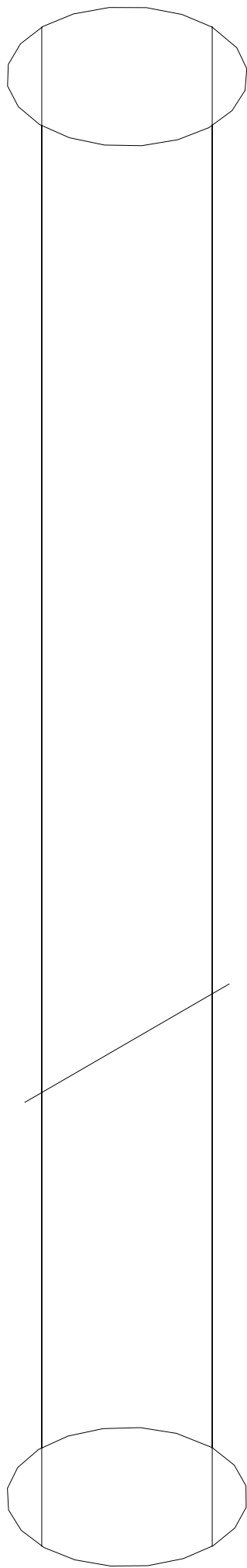


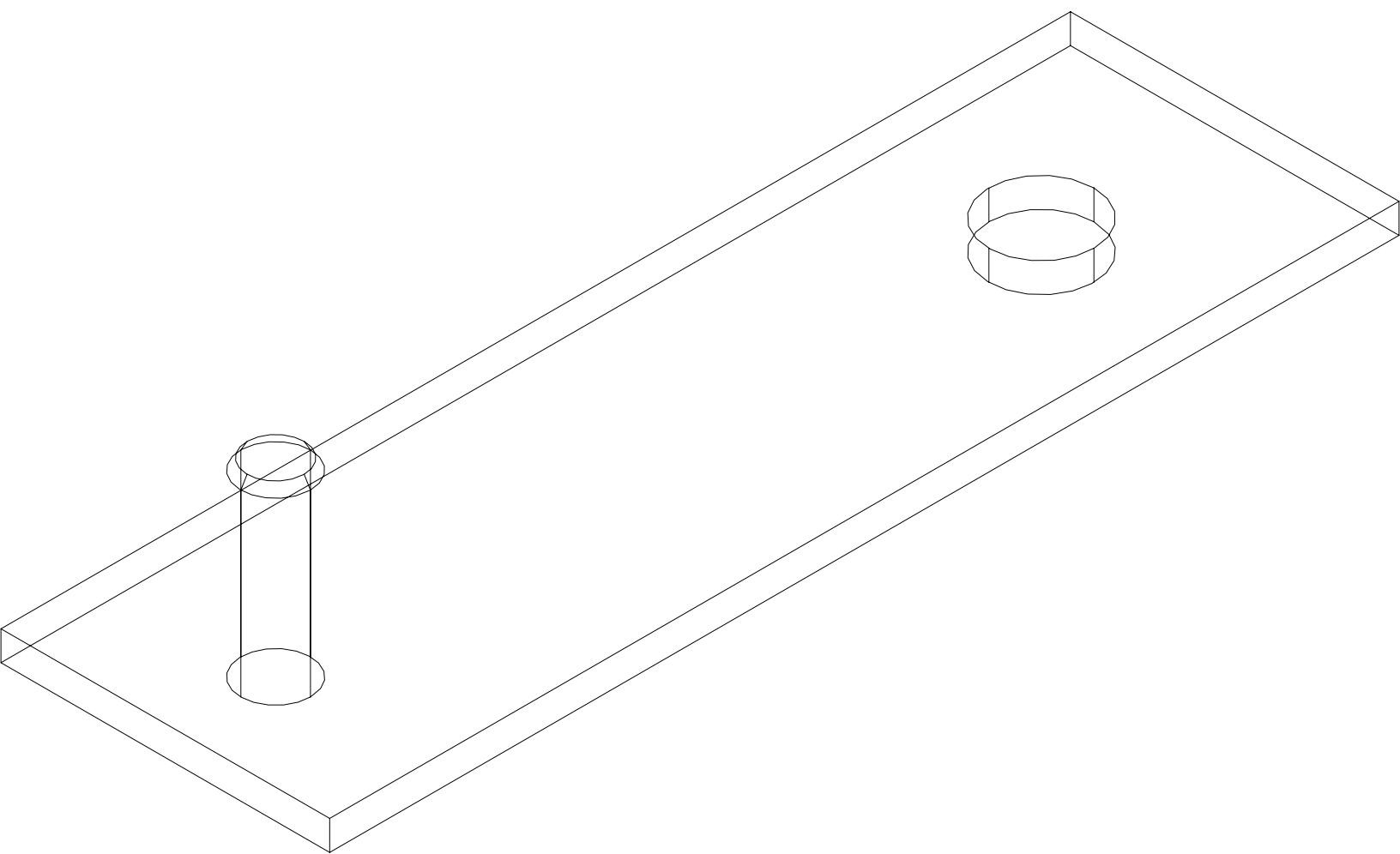


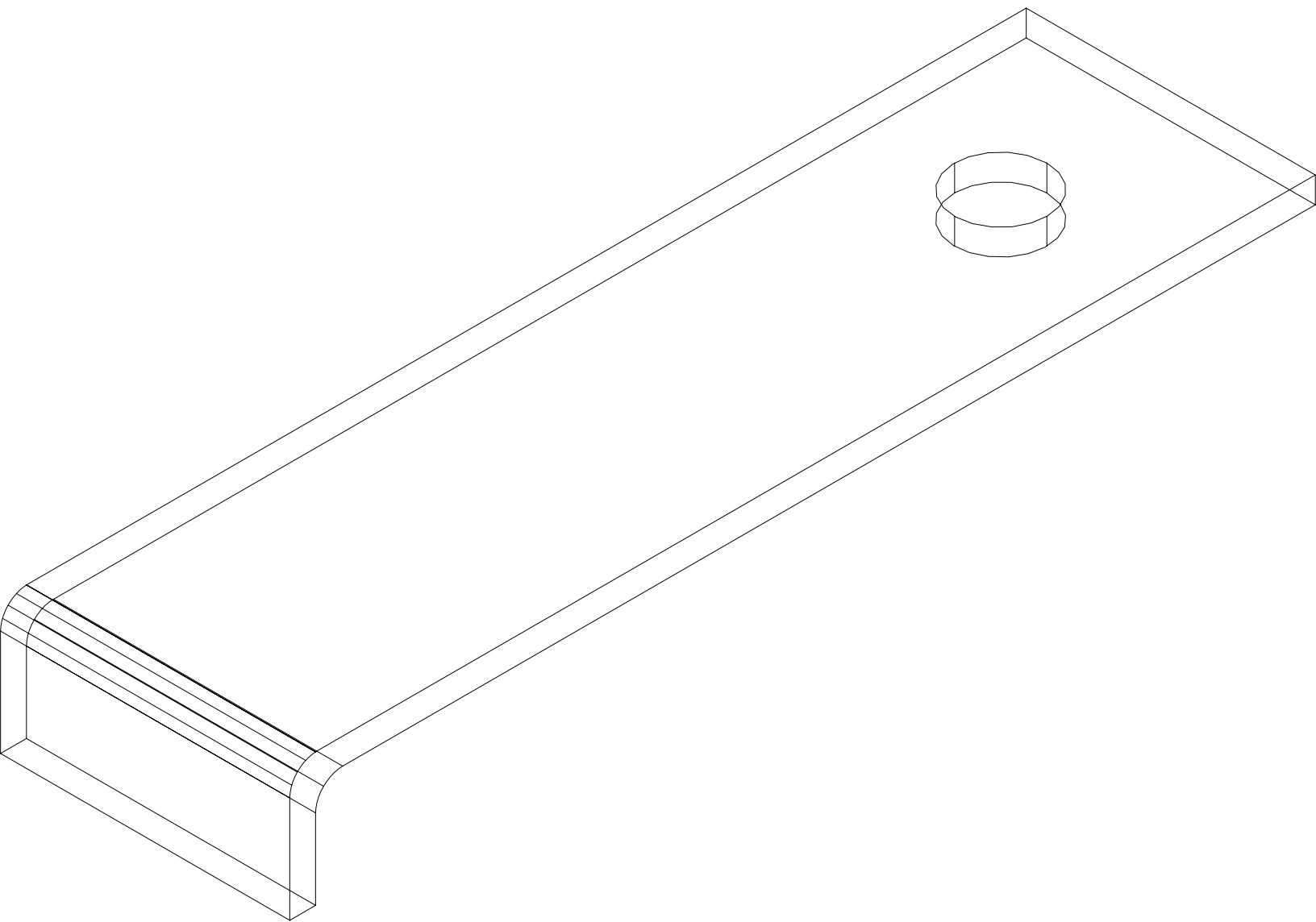


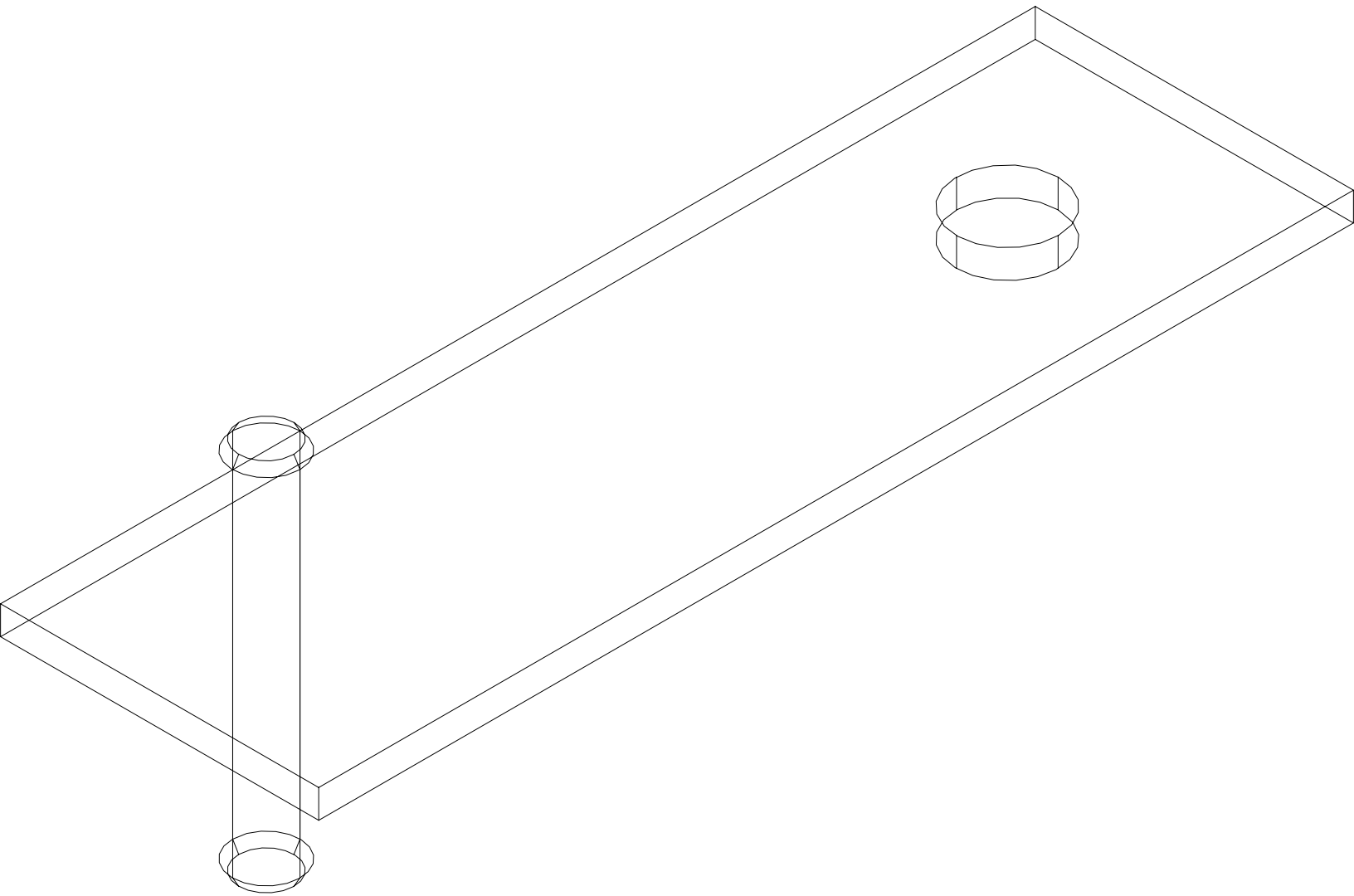


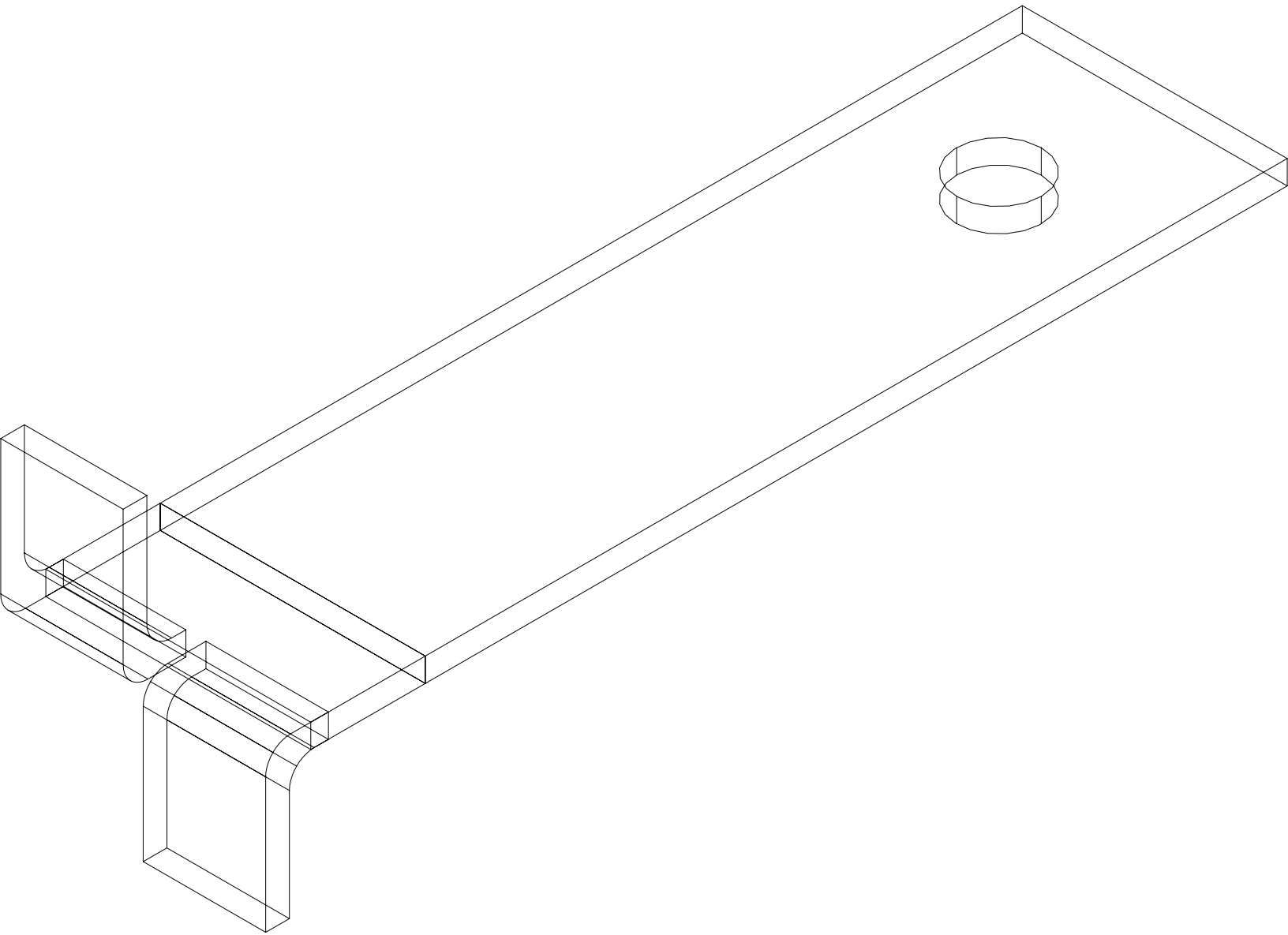


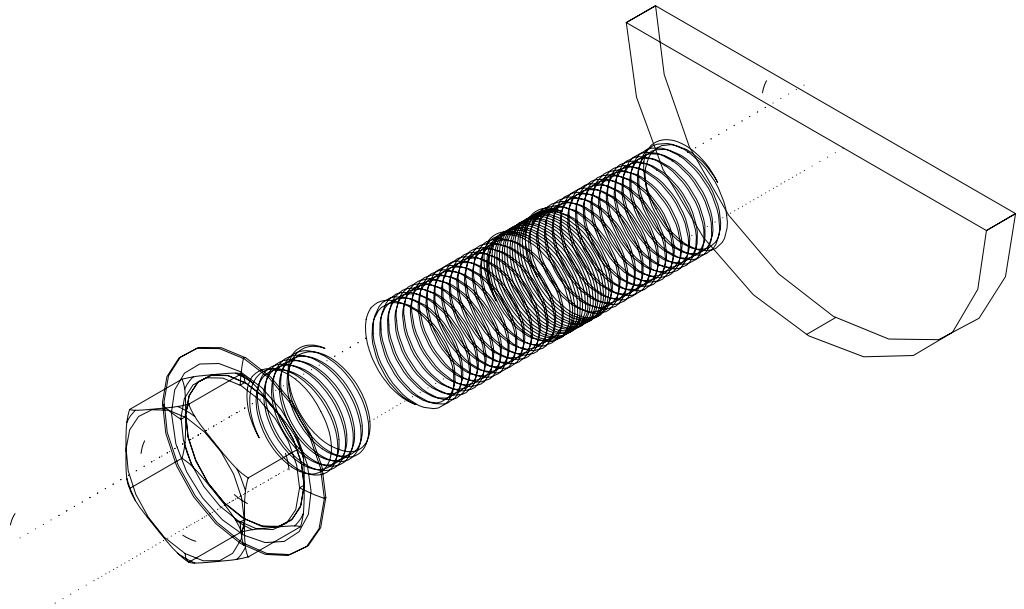


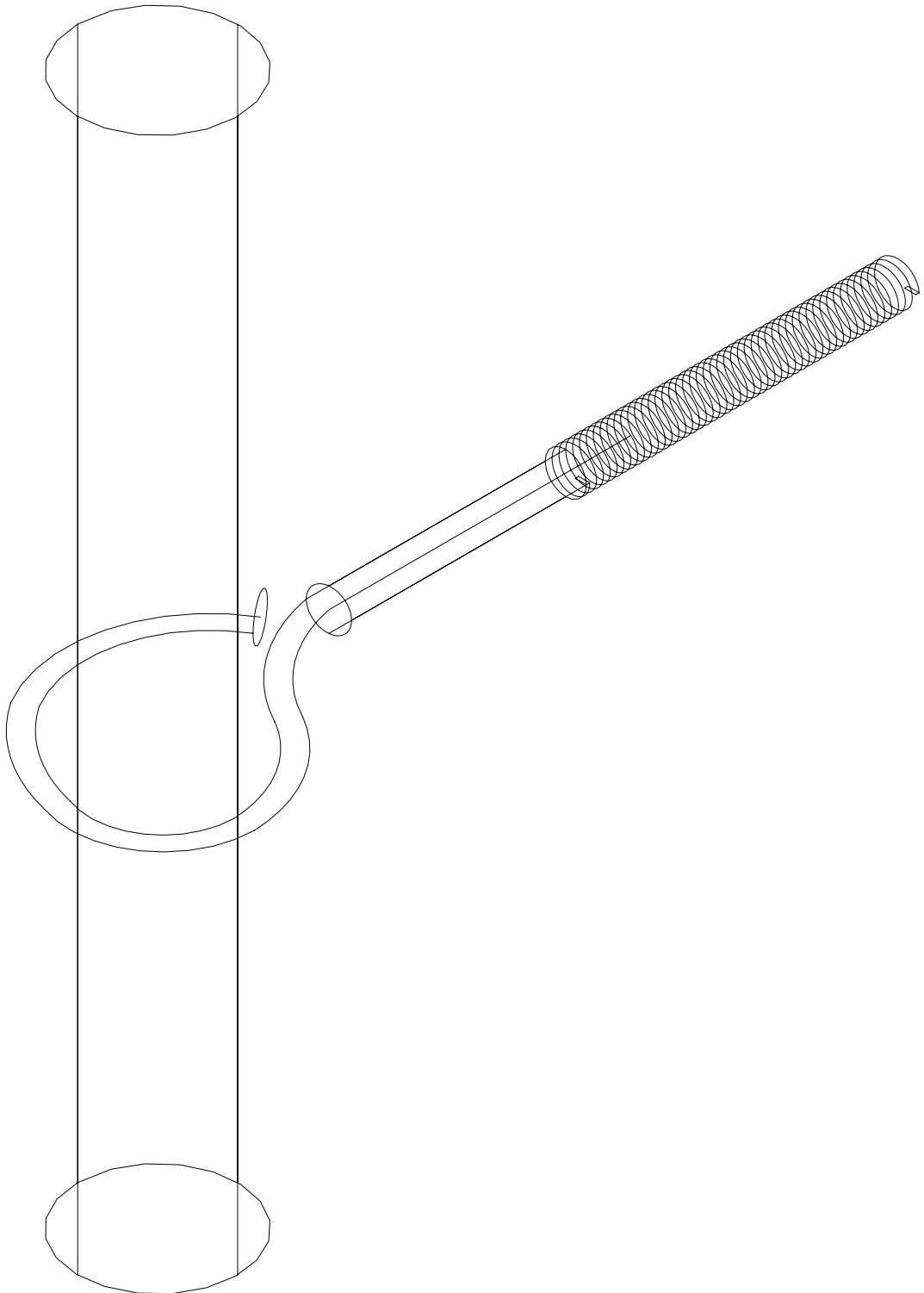


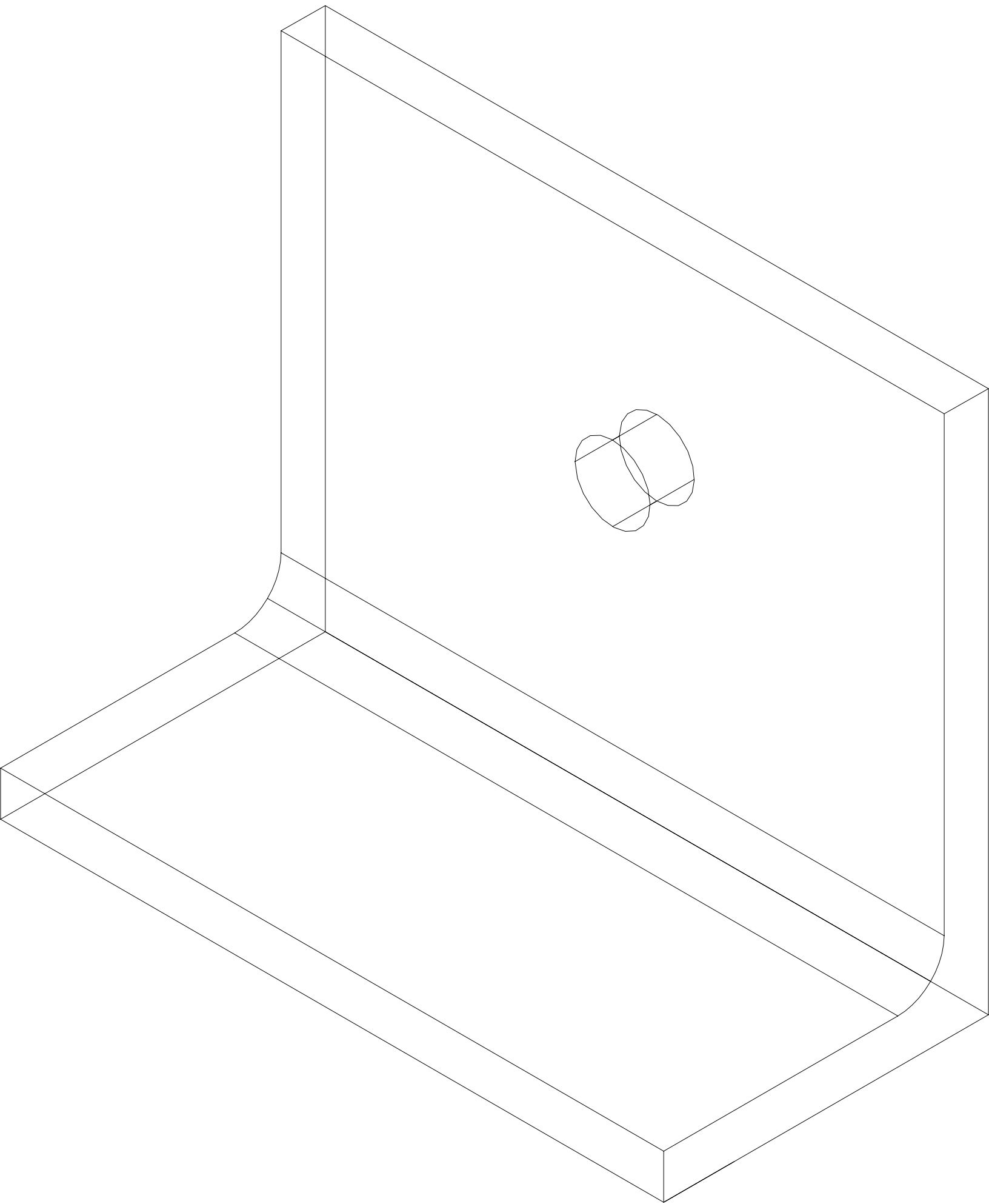


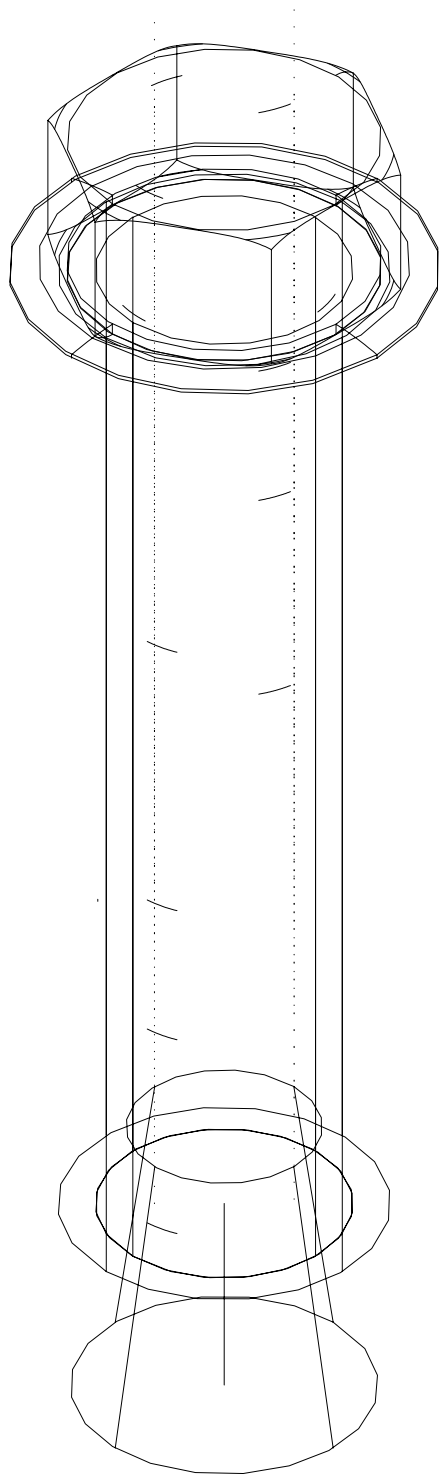


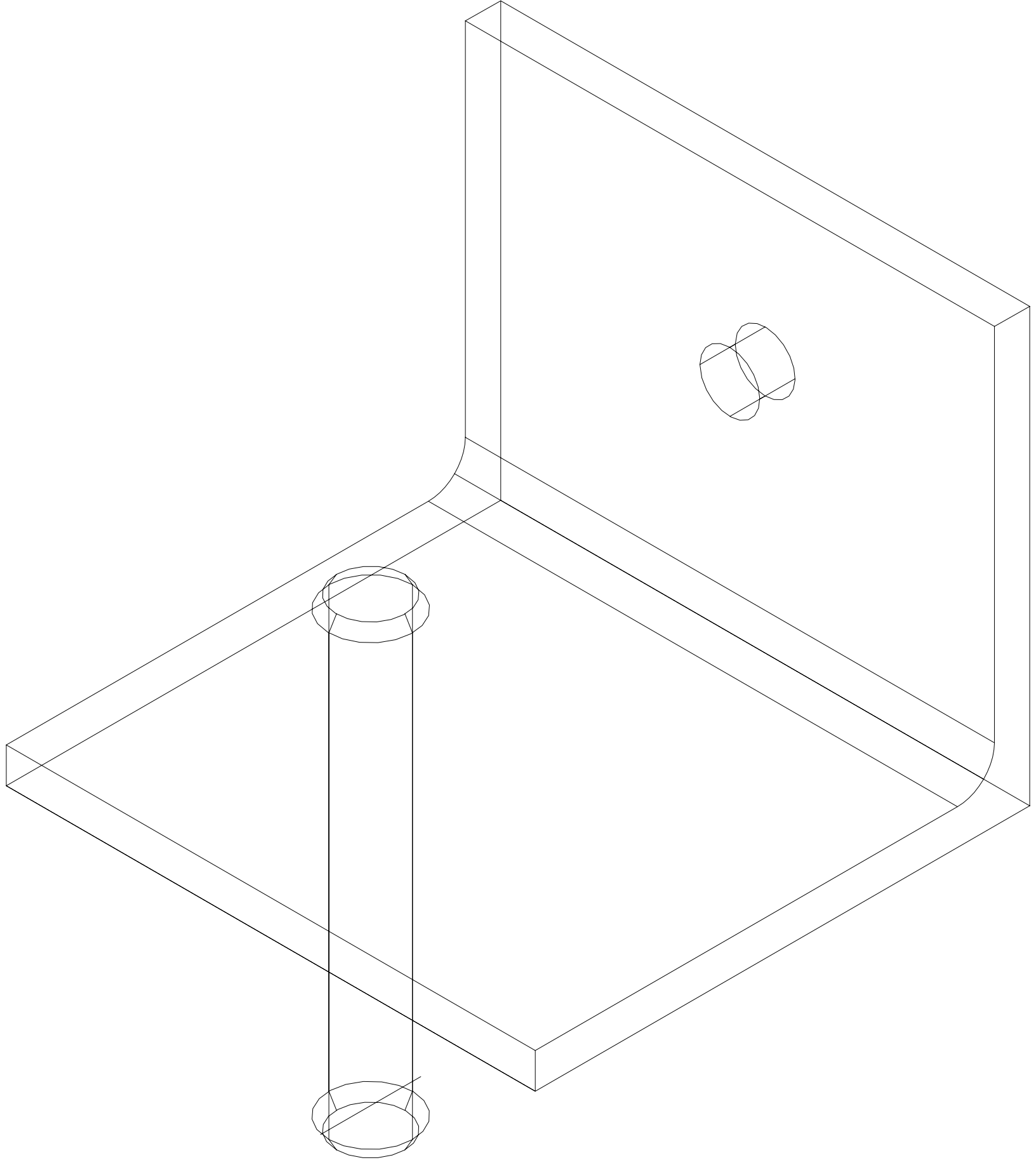


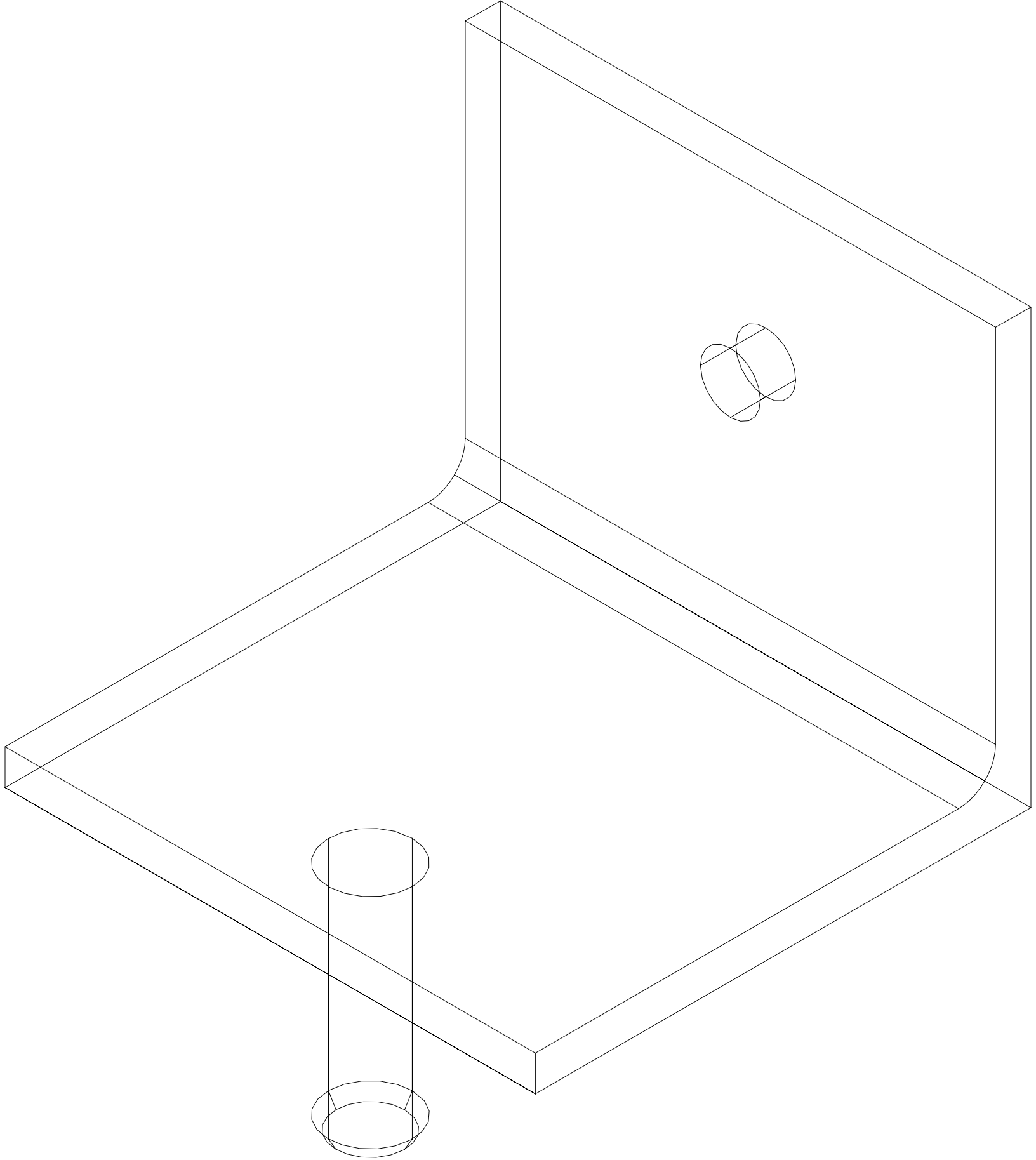


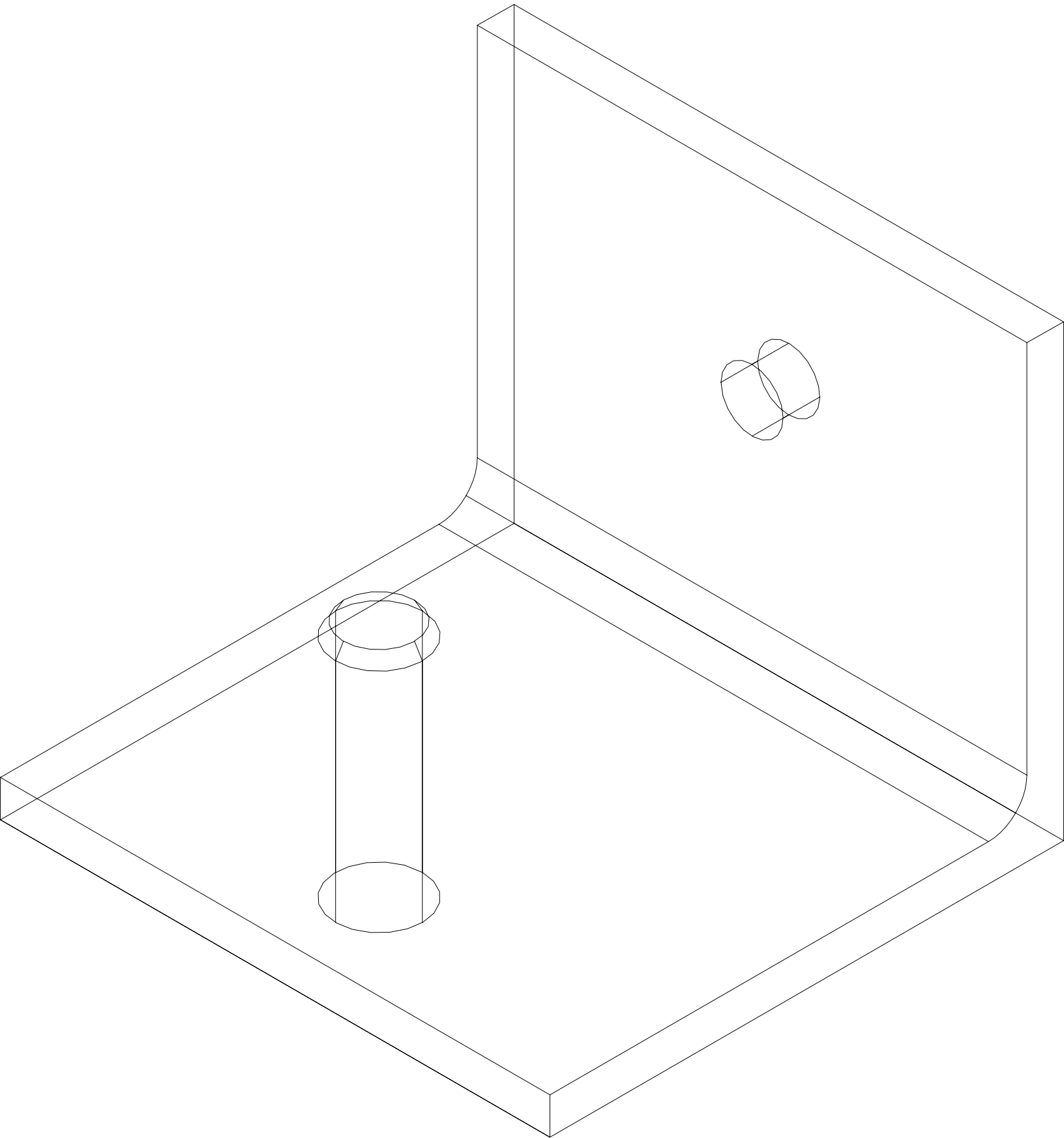


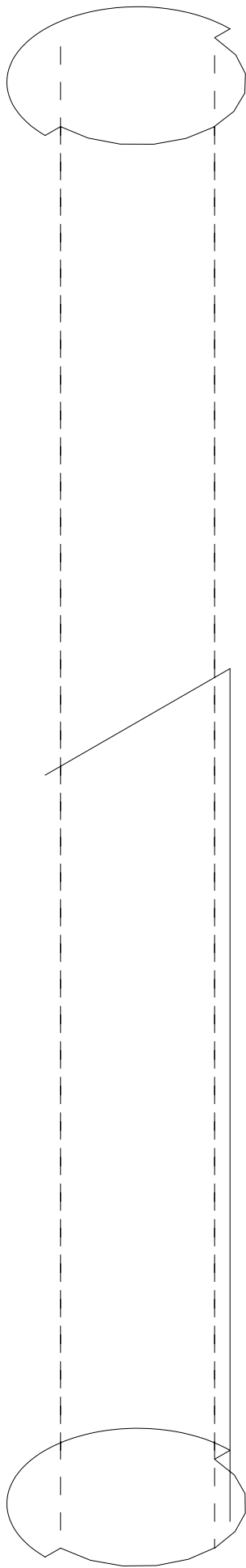


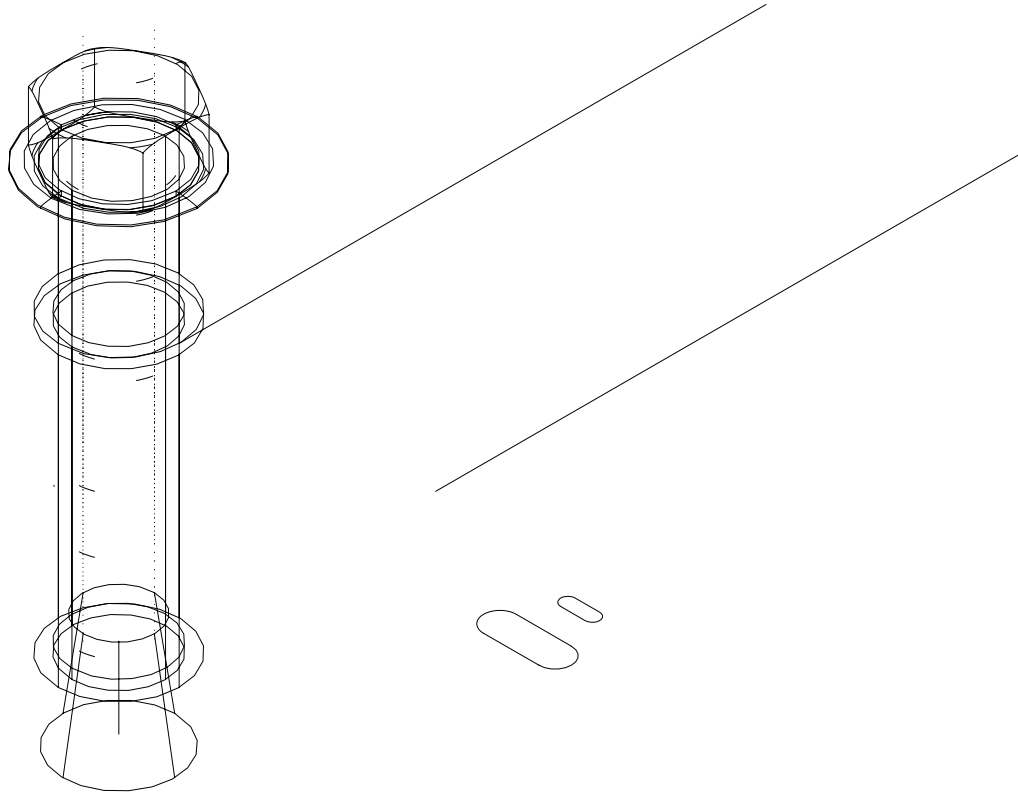


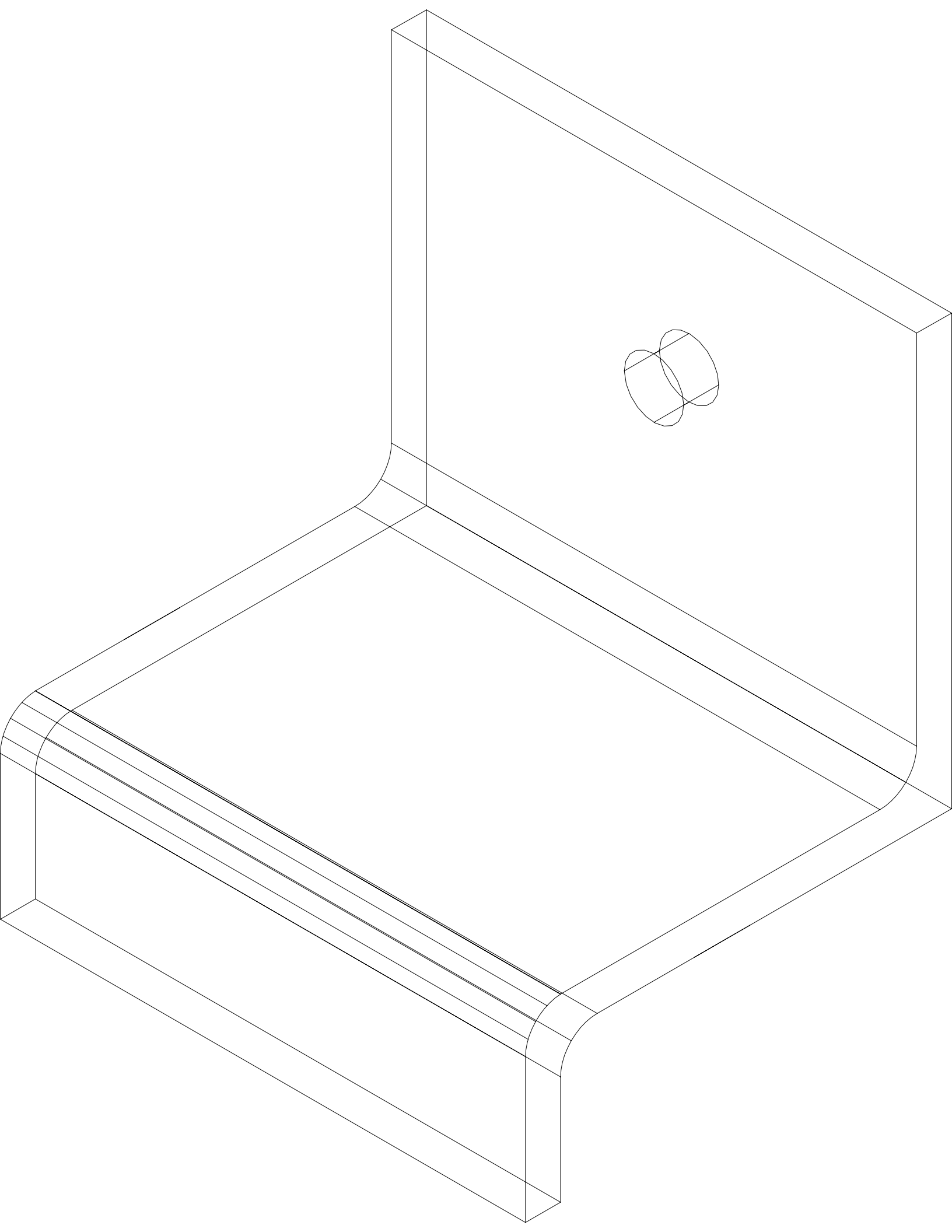


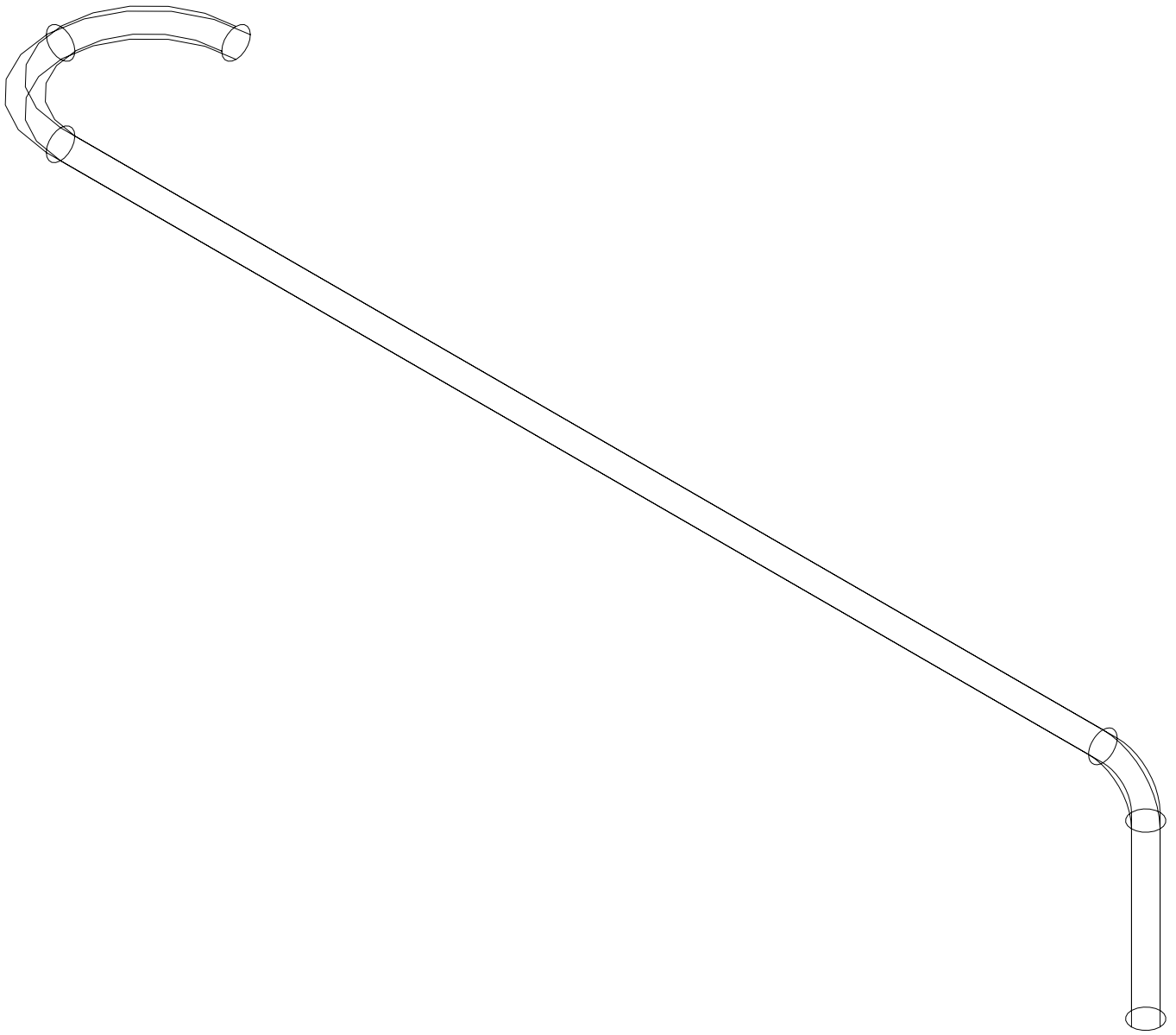


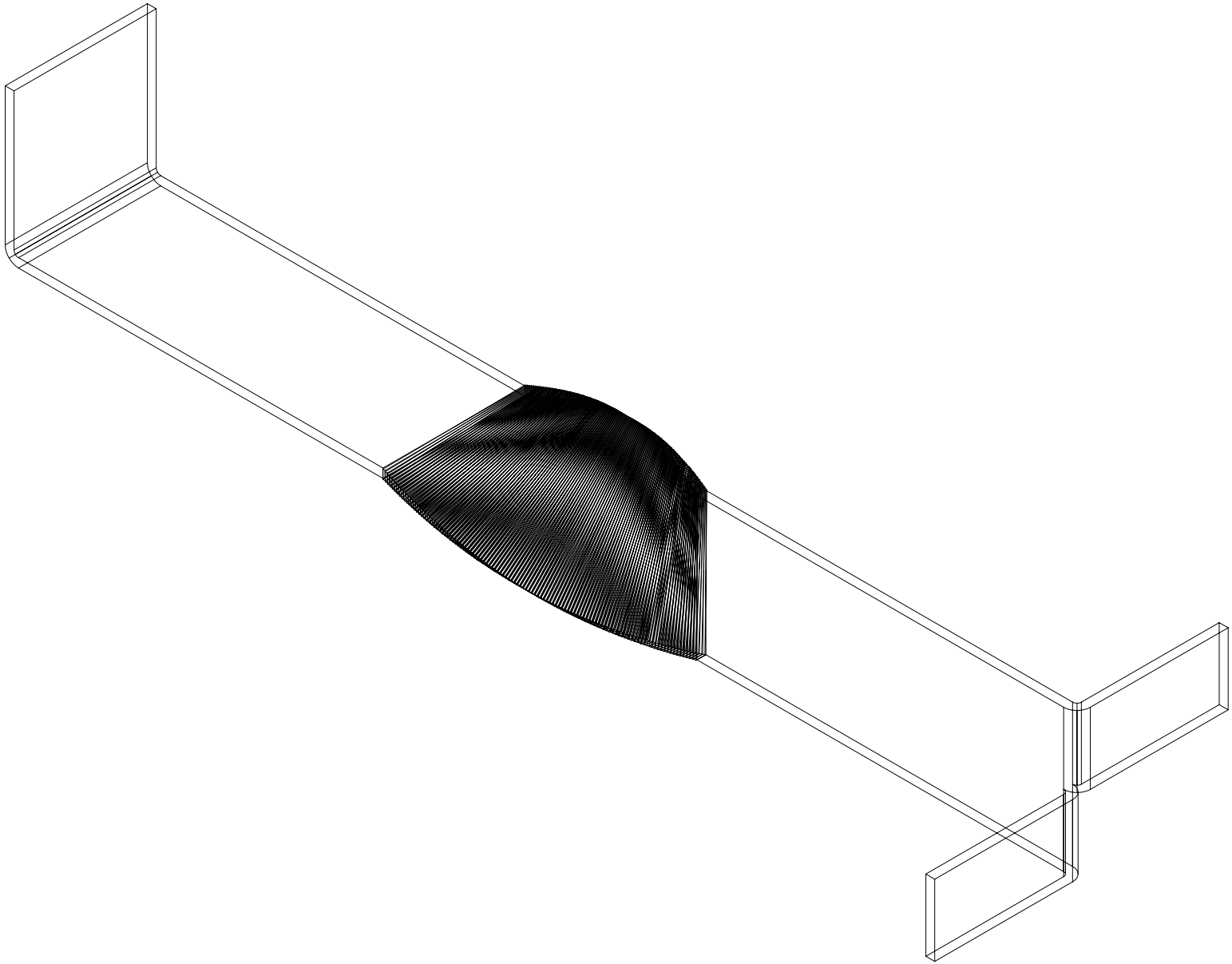


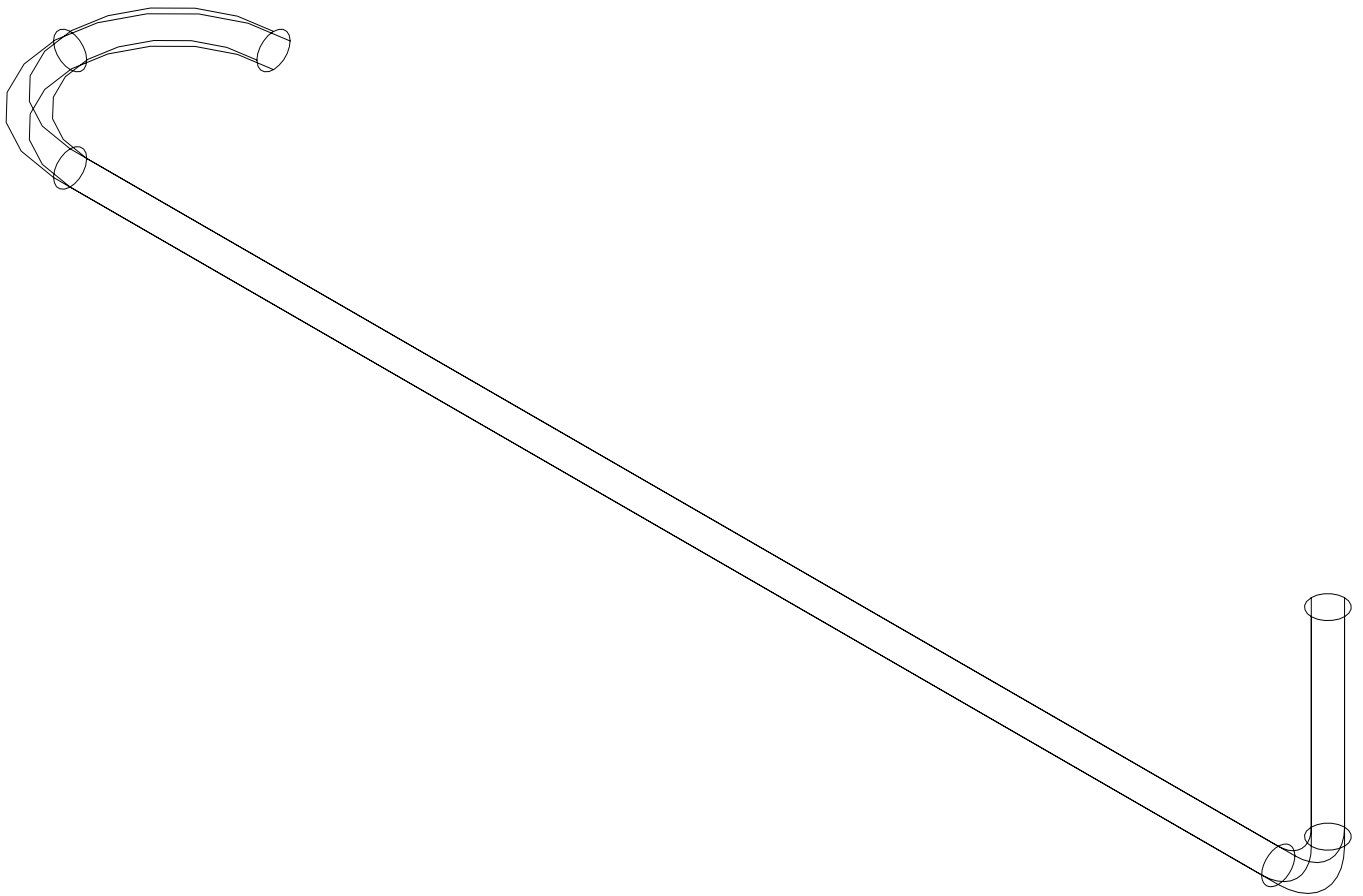


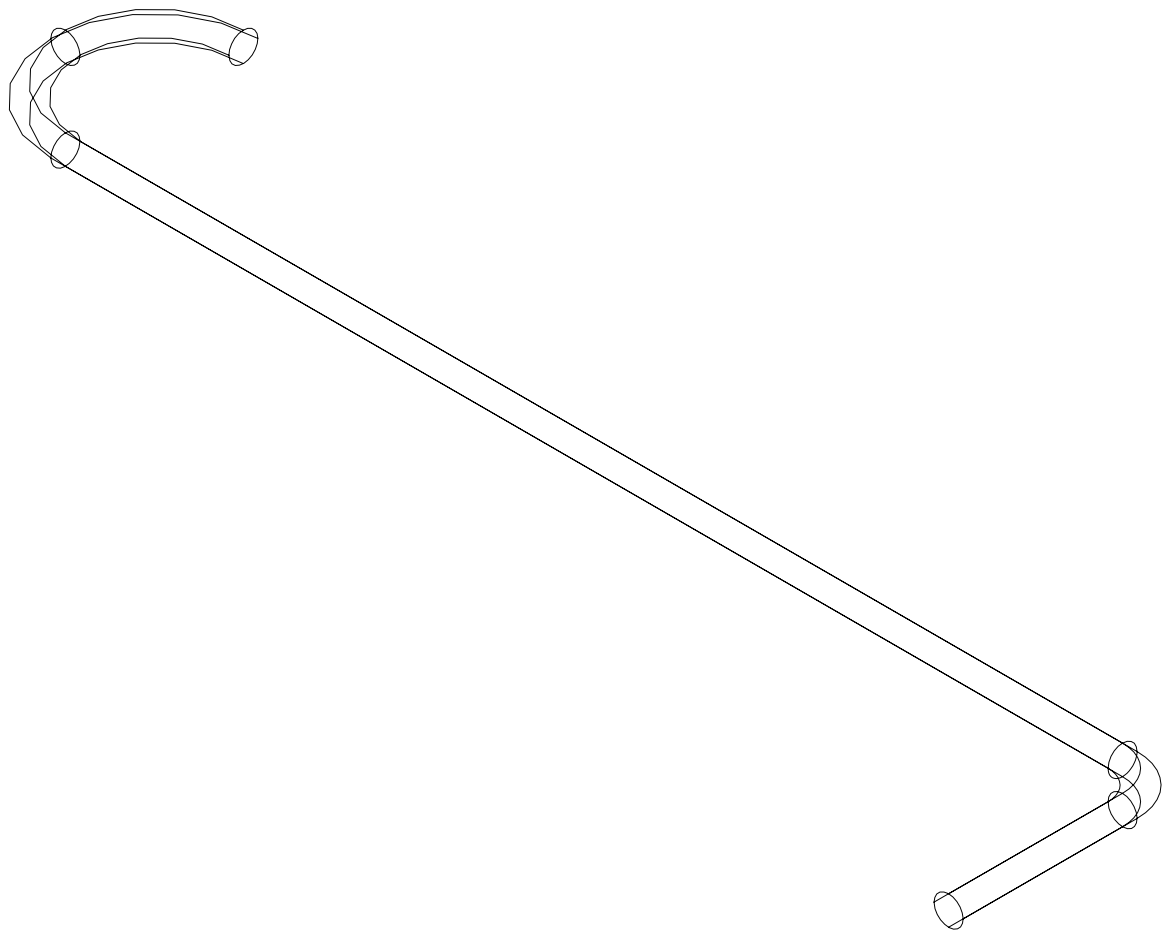


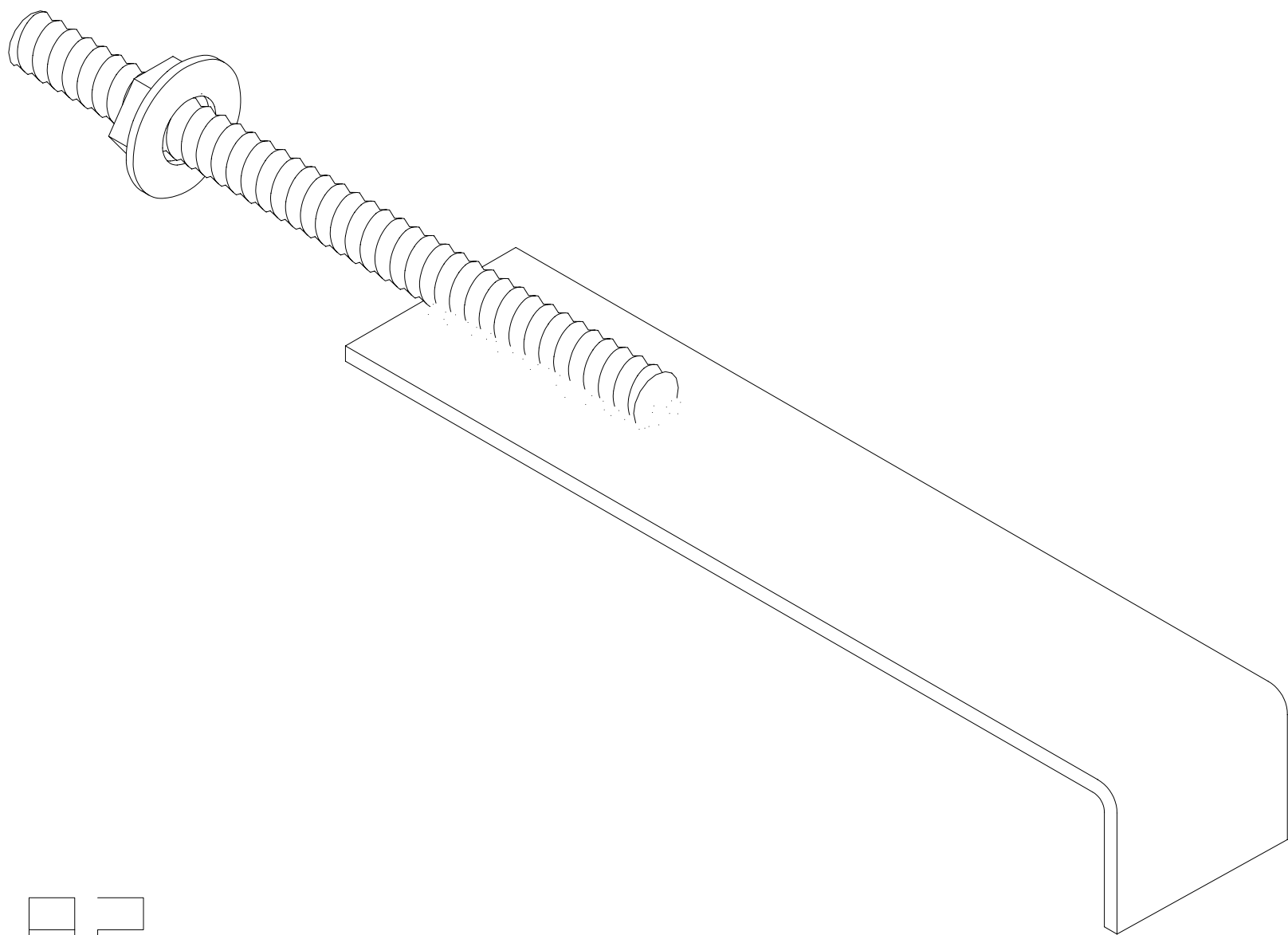












| 82



Types of common Anchors

4" x 8" double Weld Plate



Dowel Pin



Threaded Rod



Standard masonry anchors are preferred over embedded hardware for use with Cast Stone. They are reliable, time-tested, commercially available, need not be specially fabricated and afford great flexibility in meeting jobsite conditions.

Non-corrosive type anchors should be used for all anchoring. Stainless steel Type 302 or 304 are the standard type used in this class of work.

Typical sizes shown are 1/8" x 1" straps, 1/4" rods and 1/2" dowels. Dowel holes for 1/2" or 3/4" dowels are usually 1" diameter filled completely with mortar during setting. Anchor slots are typically 3/4" wide and similarly are filled with mortar.

Typical details are not universal. The Cast Stone institute strongly recommends that designers consult with the project engineer and Cast Stone Institute producer member in the early stages of design to determine the appropriate anchoring strategy.



Stainless Steel Screw

- Light metal applications
- Readily available in a variety of sizes
- Secured using a drill



Self-Tapping Screw

- Metal applications
- Readily available in a variety of sizes
- Secured using a drill



TapCon Screw

- Heavy applications
- Readily available in a variety of sizes
- Secured using a drill
- Post hole recommended



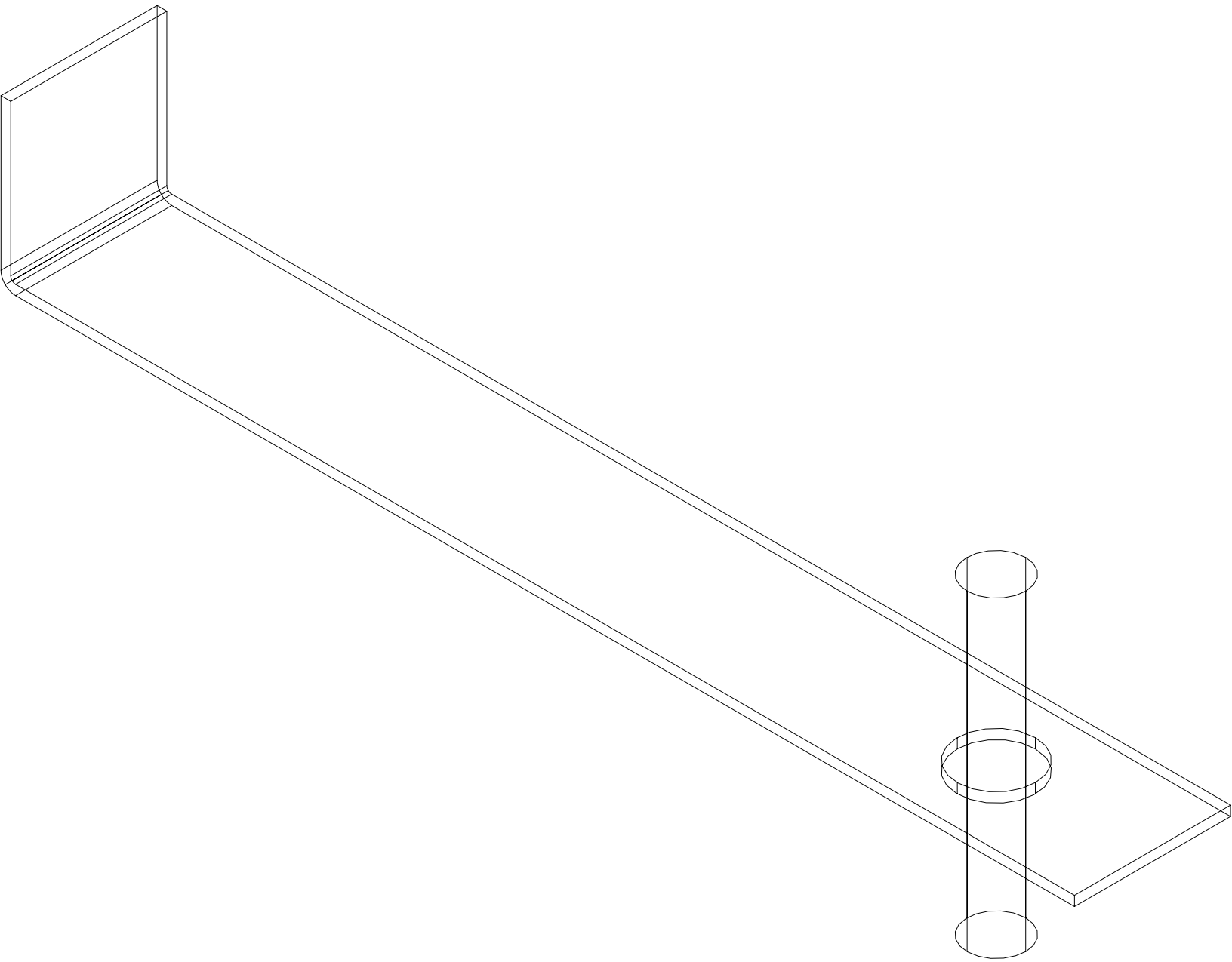
Ring Shank Nail

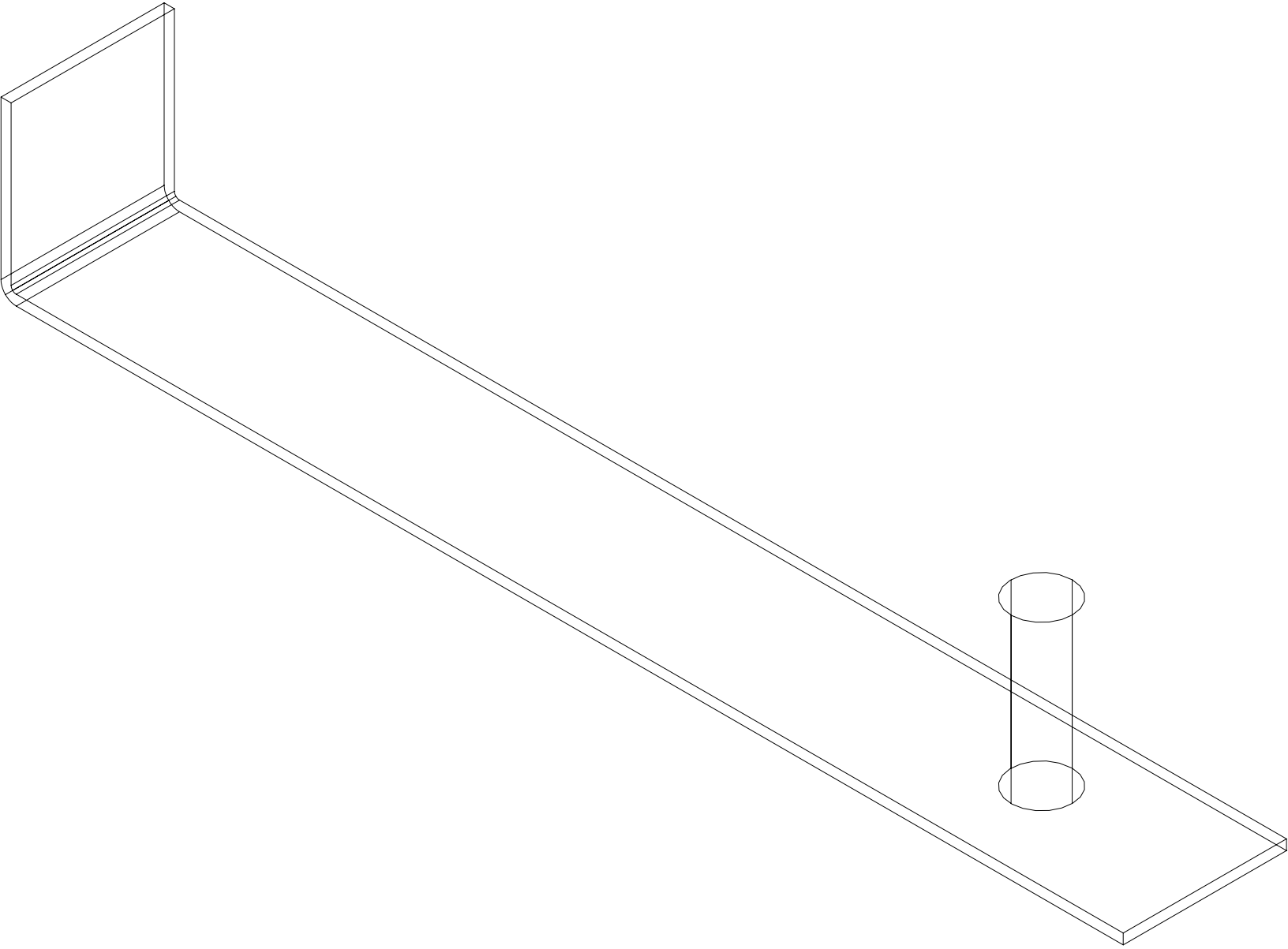
- Wood applications
- Readily available in a variety of sizes
- Secured using a hammer
- More secure than smooth shank nail

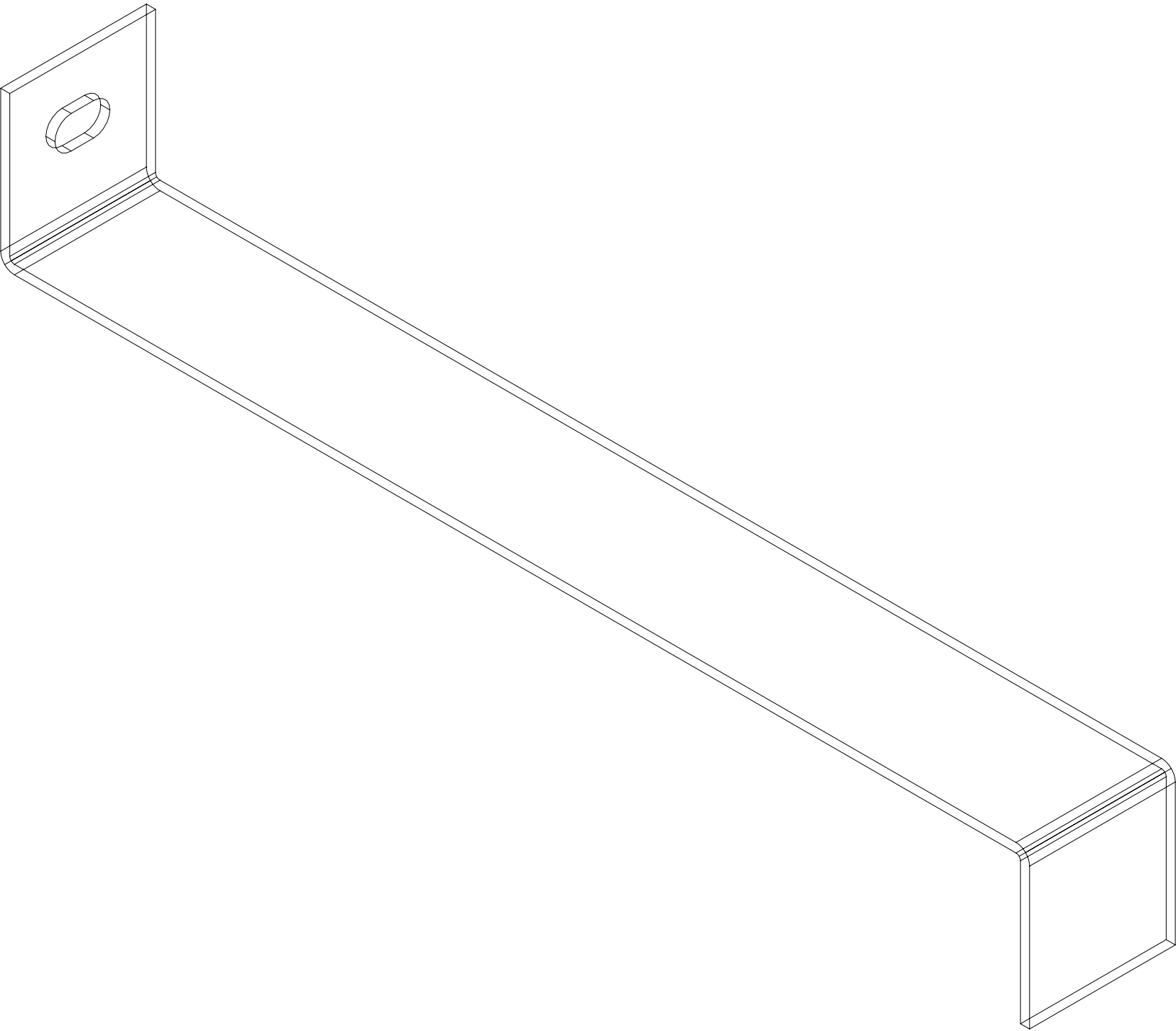


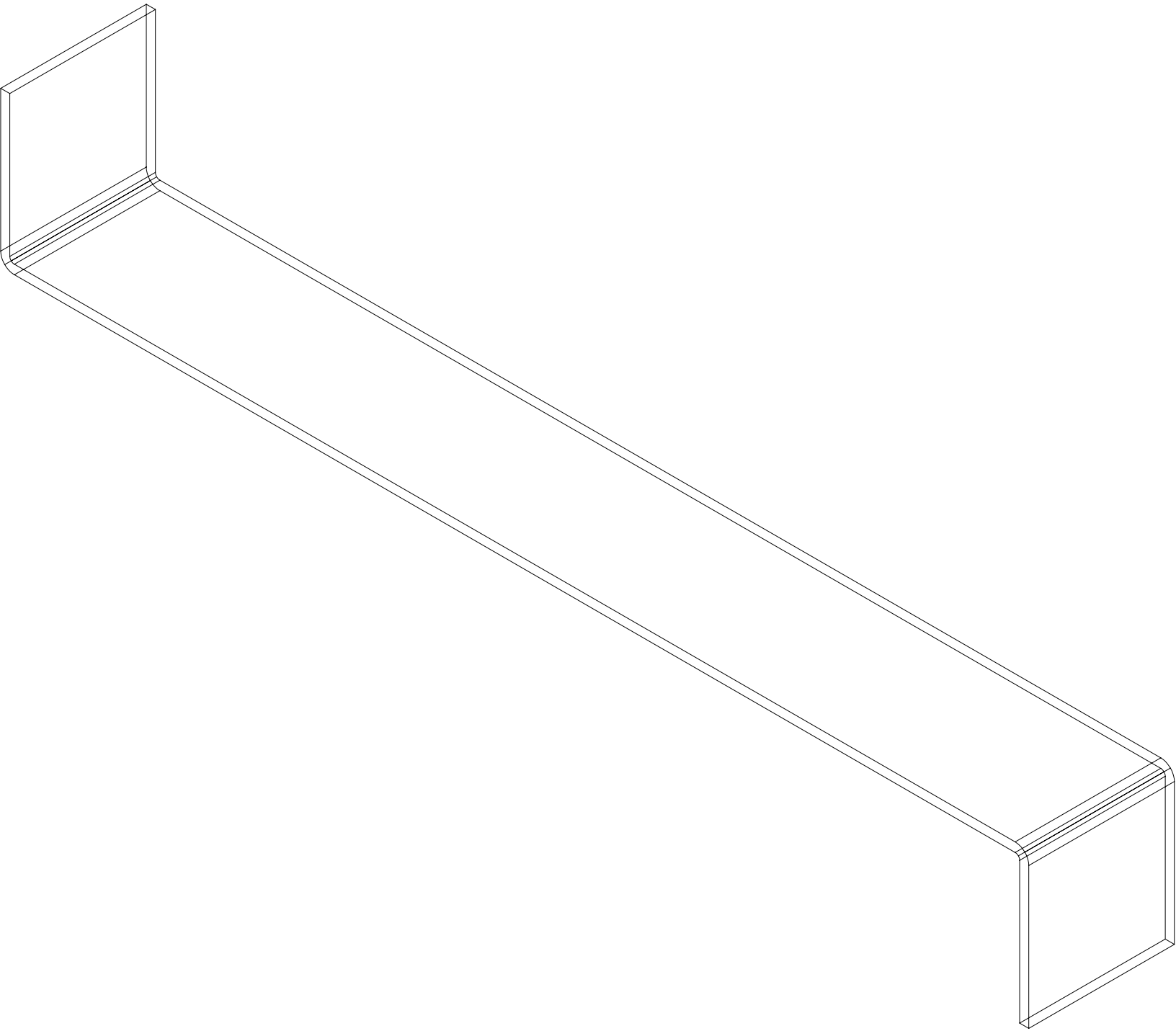
Construction Screw

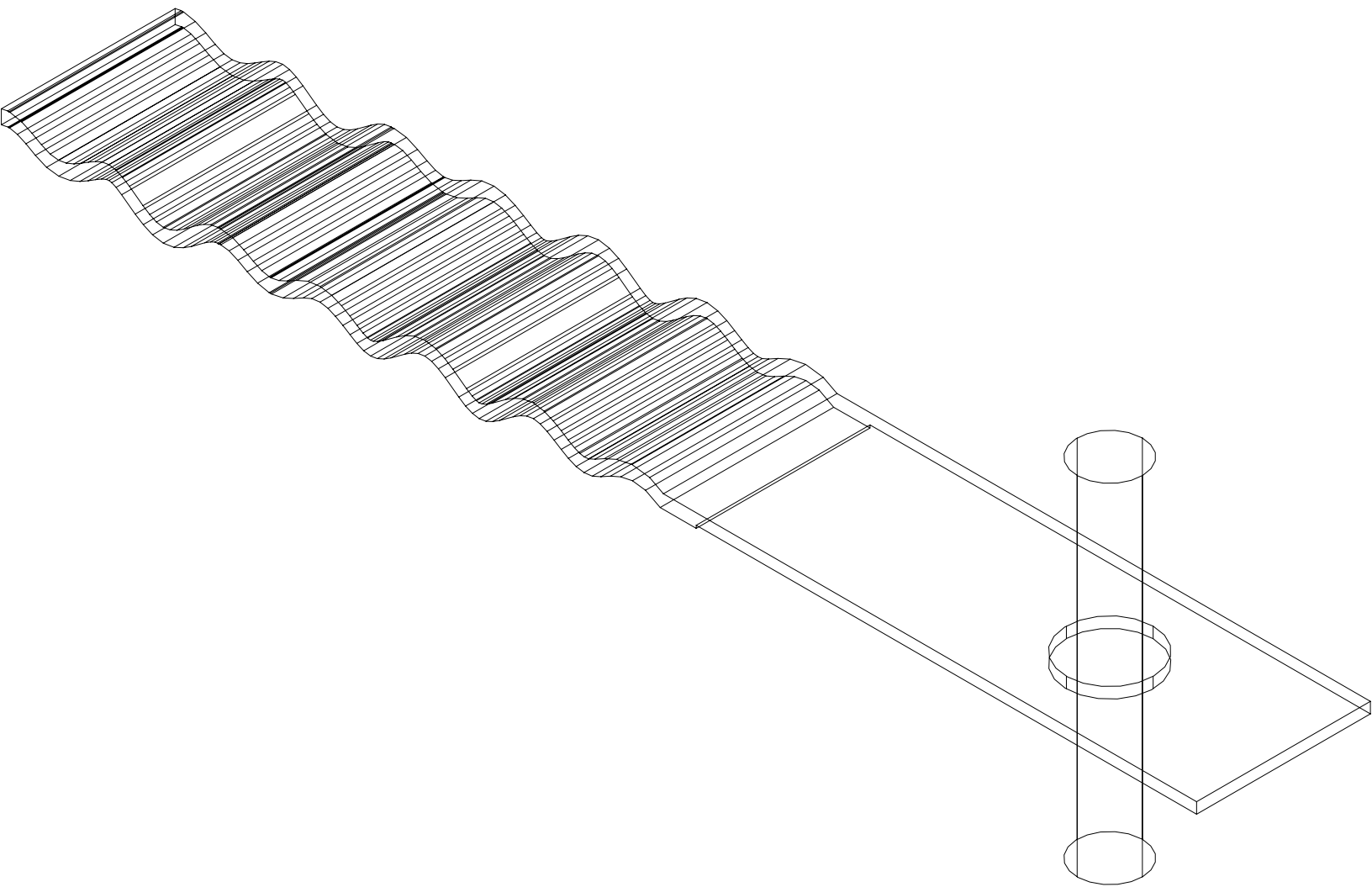
- Wood applications
- Readily available in a variety of sizes
- Secured using a drill

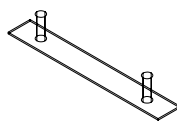


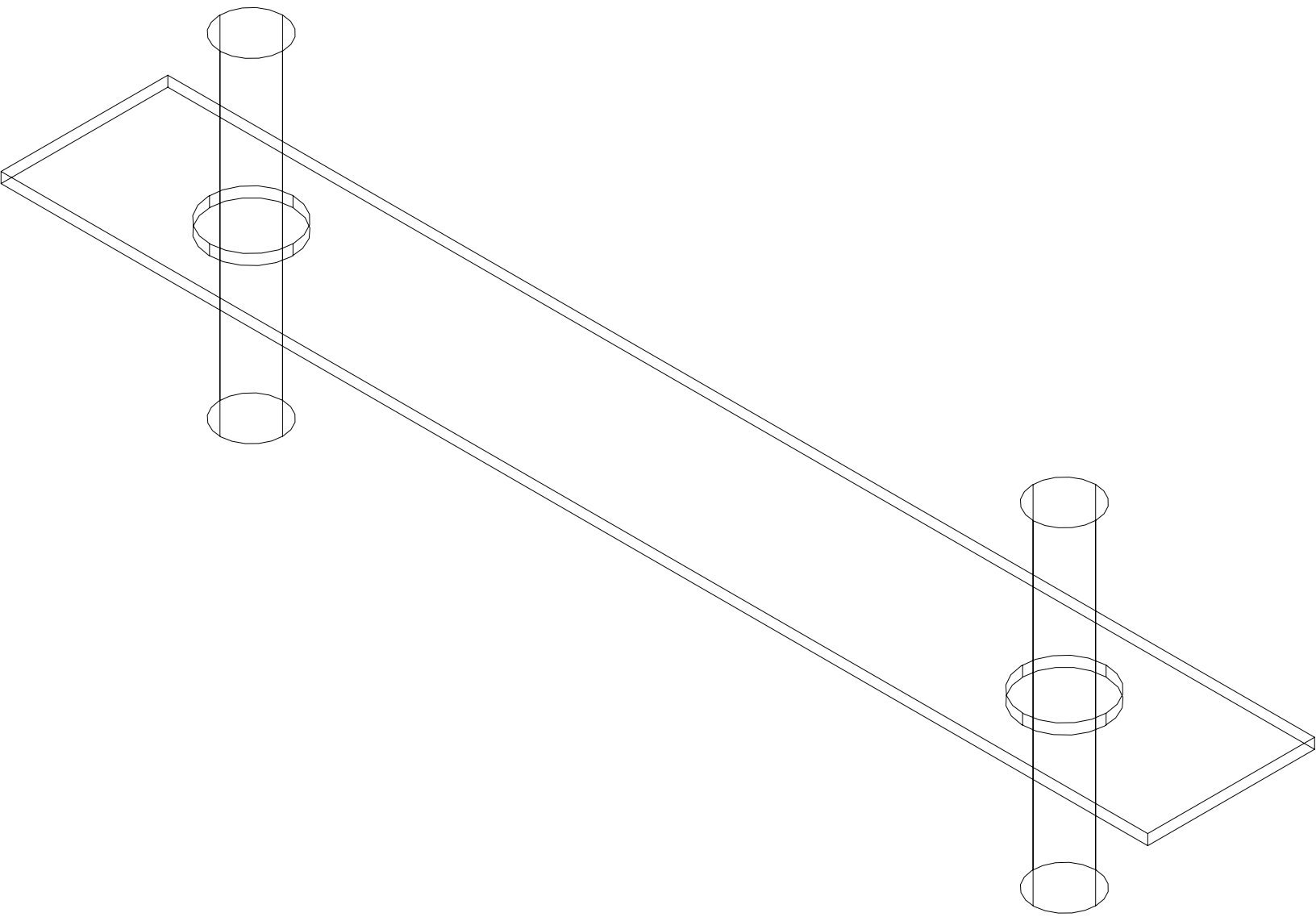




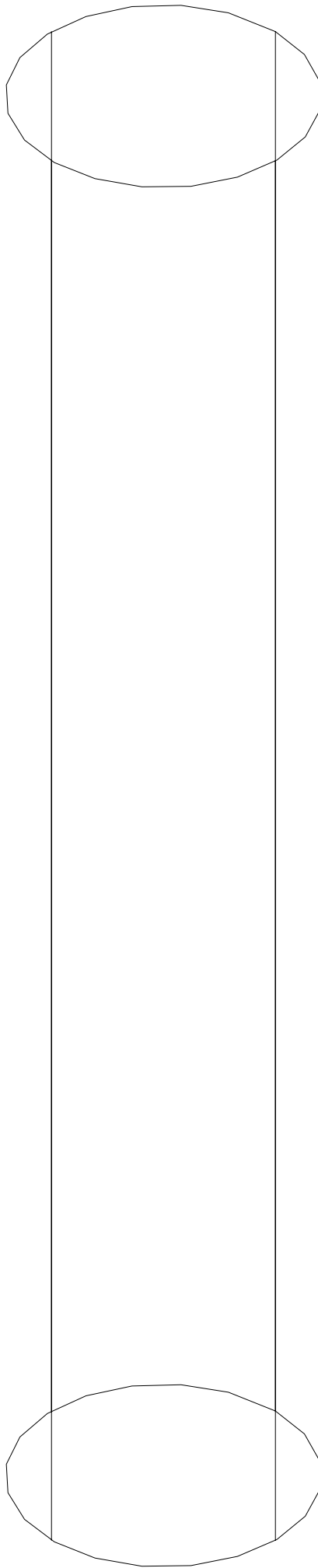


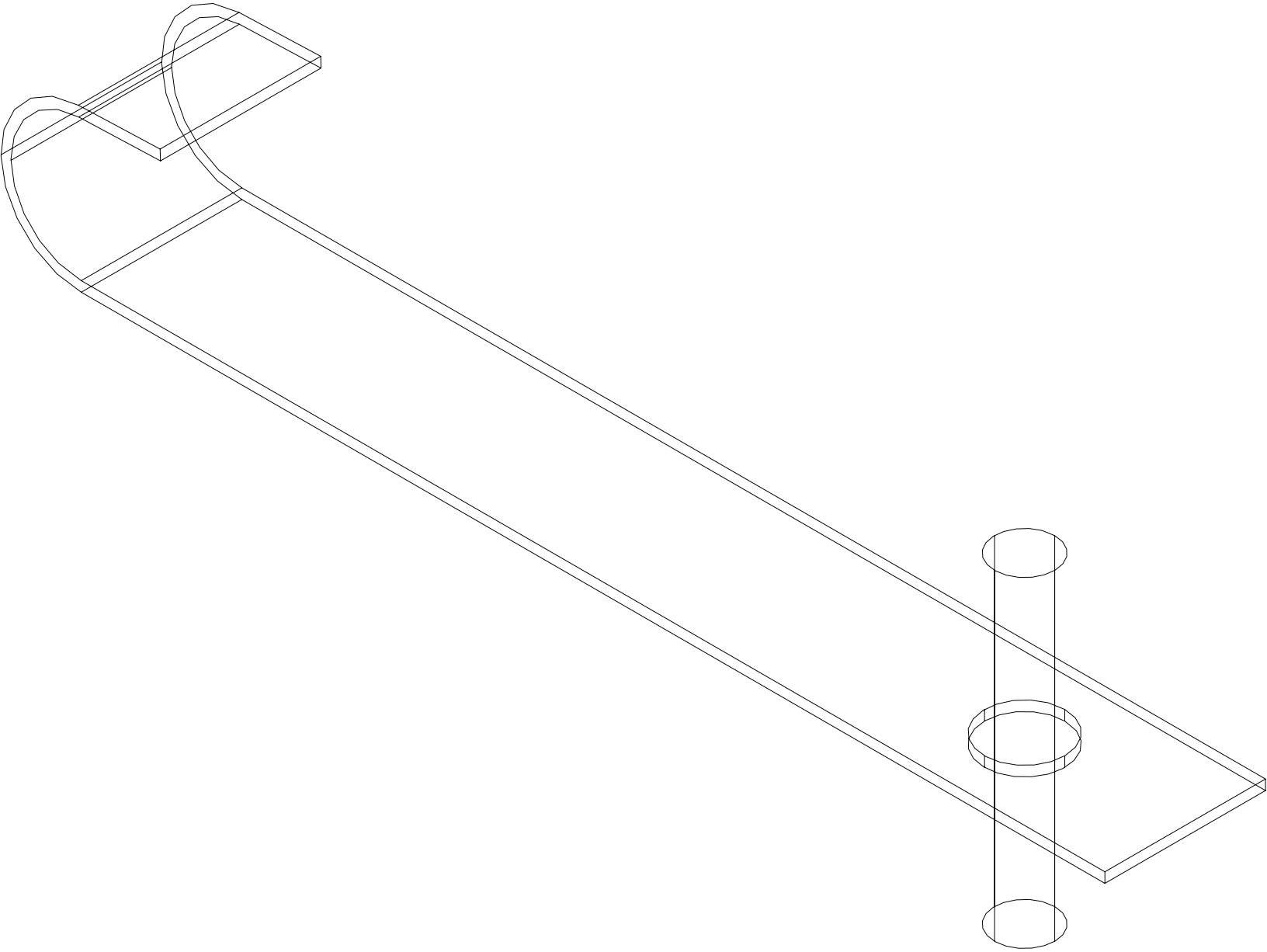


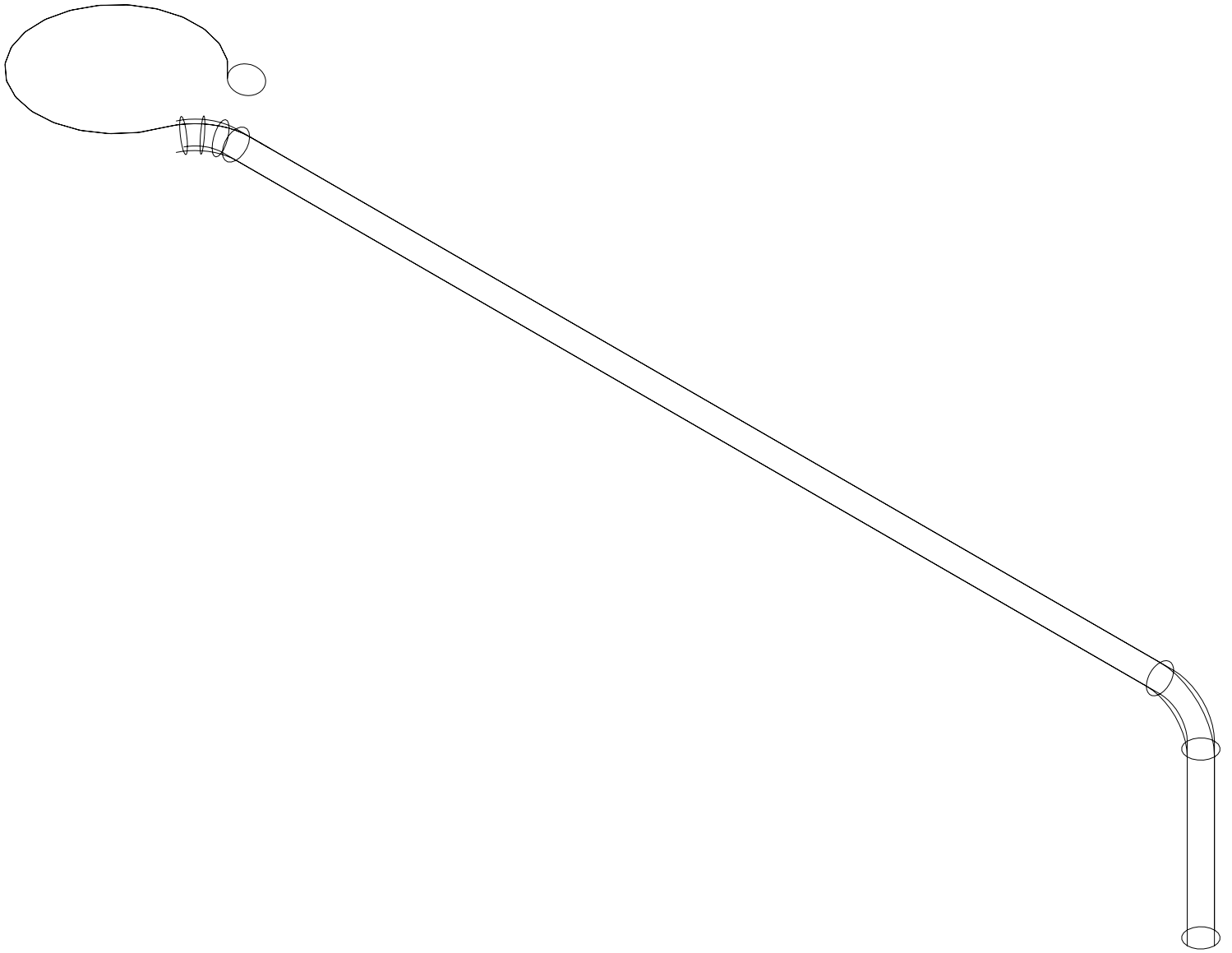


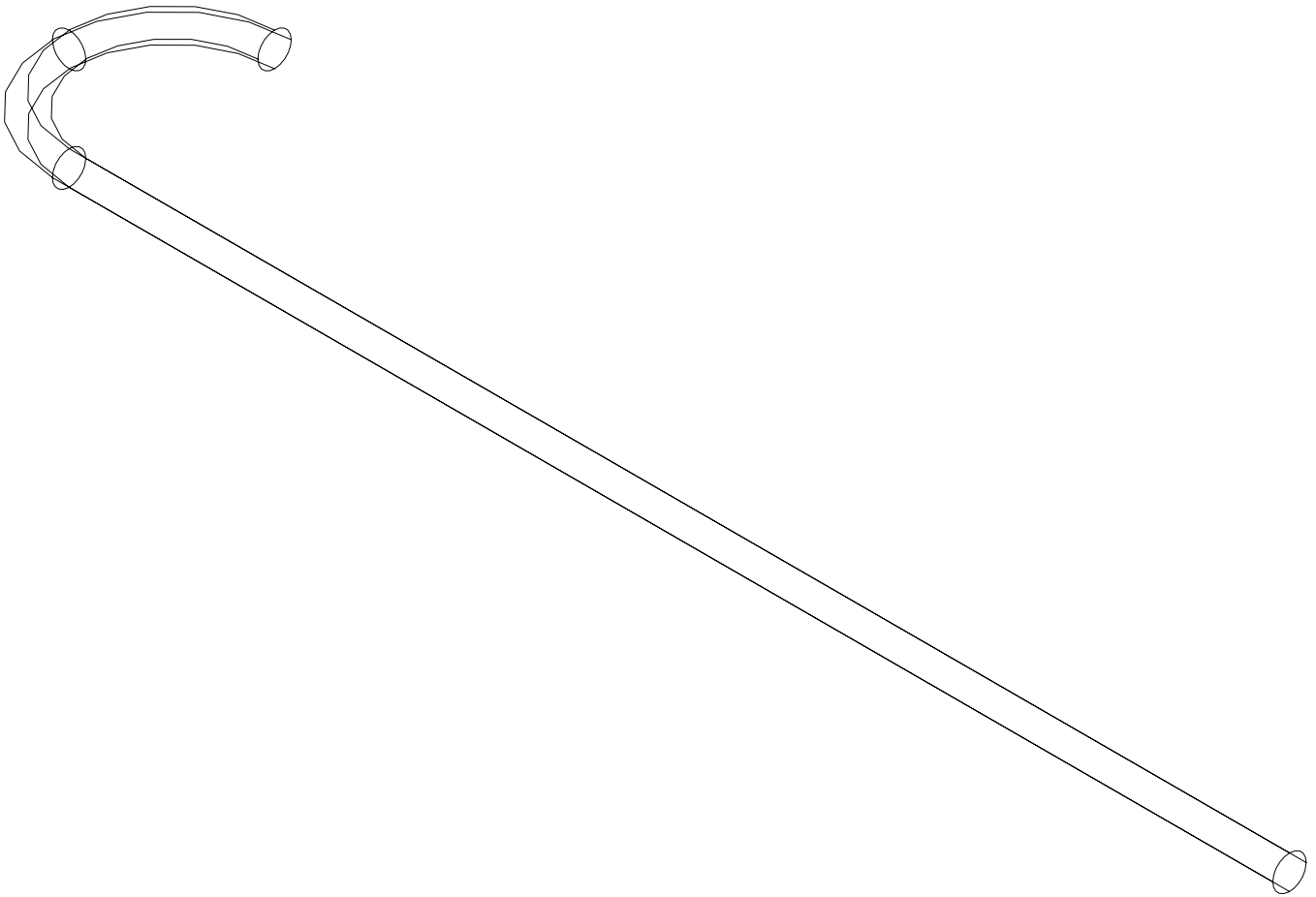


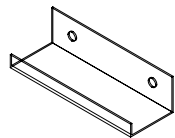


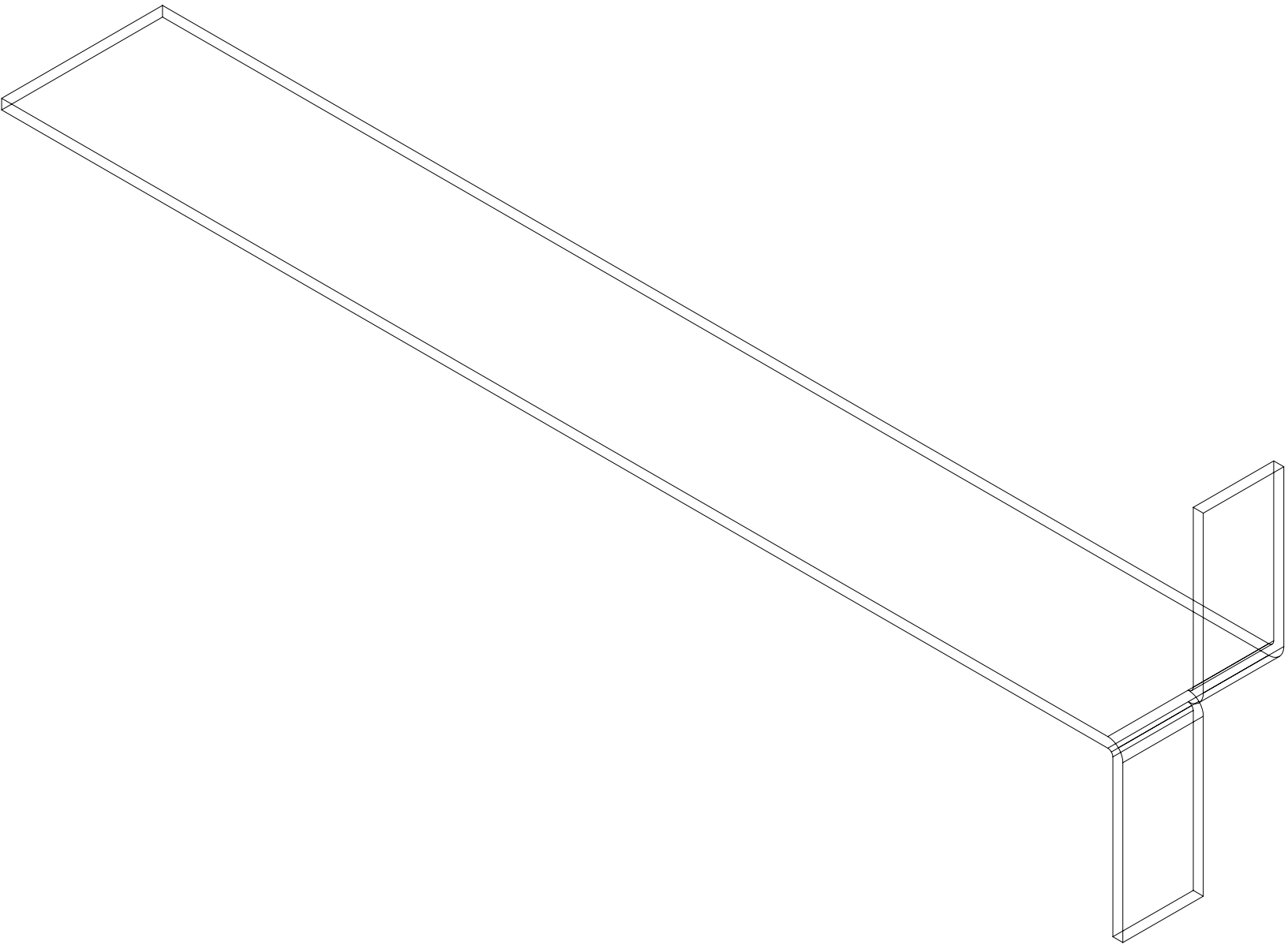


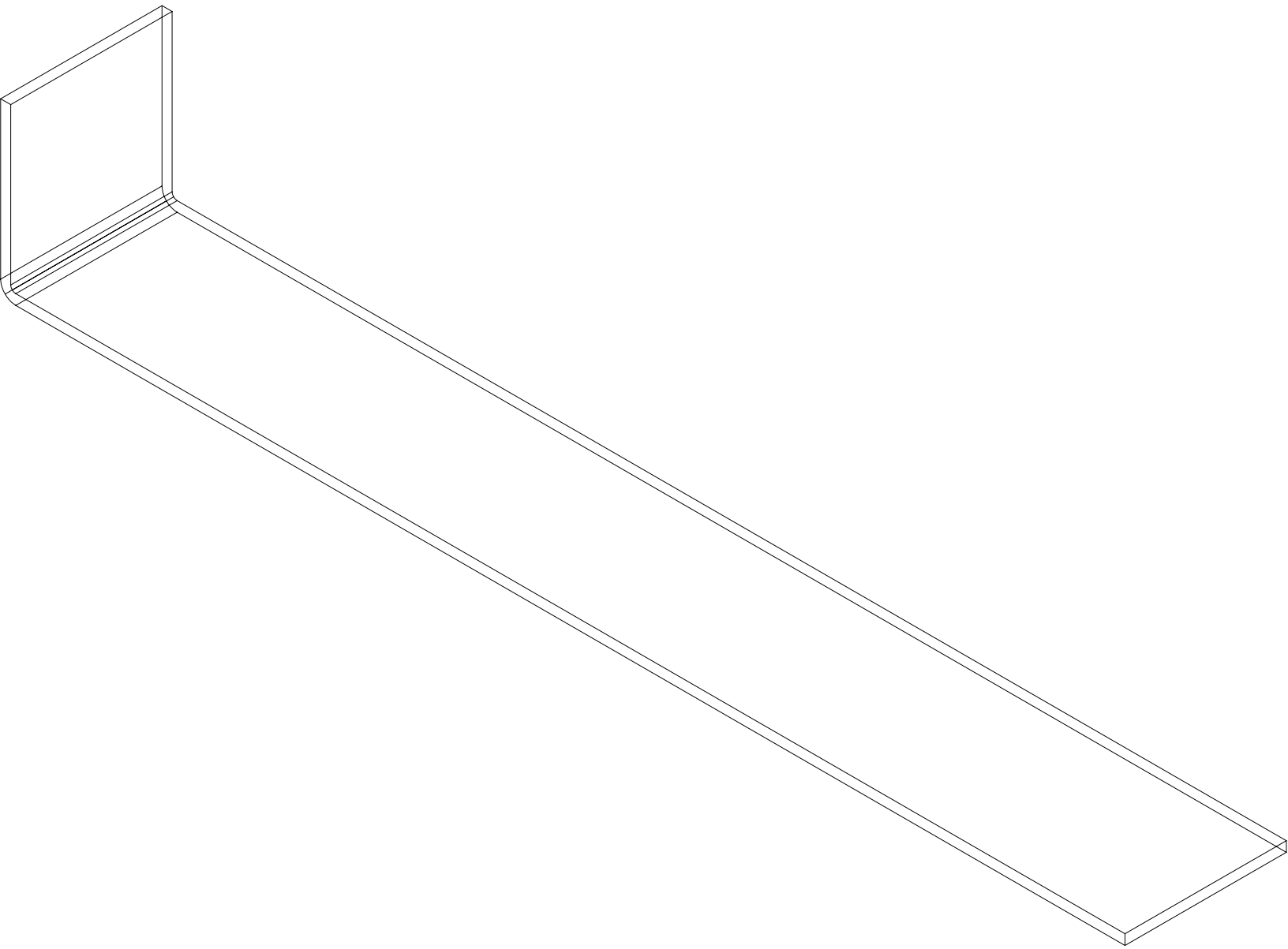


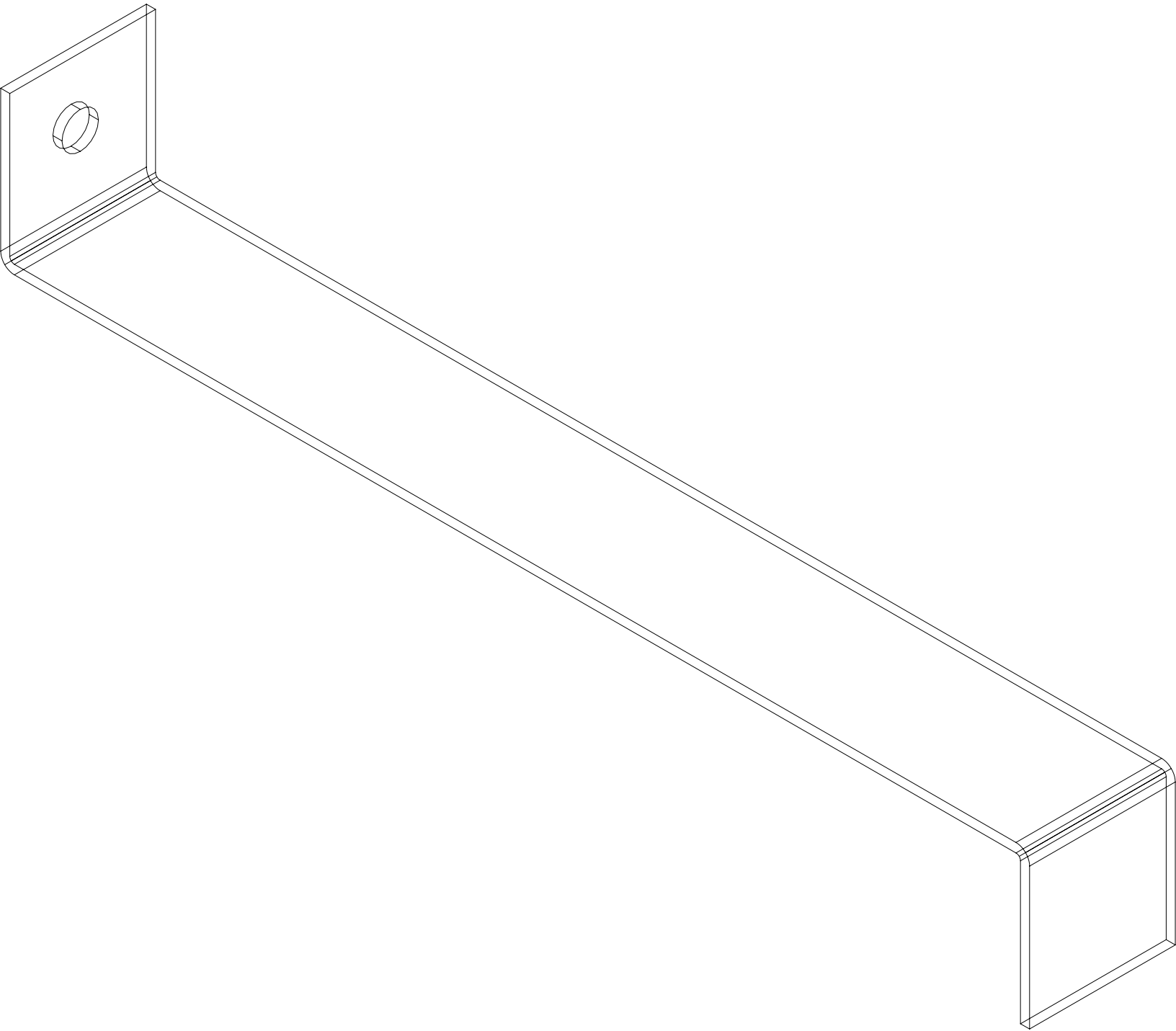


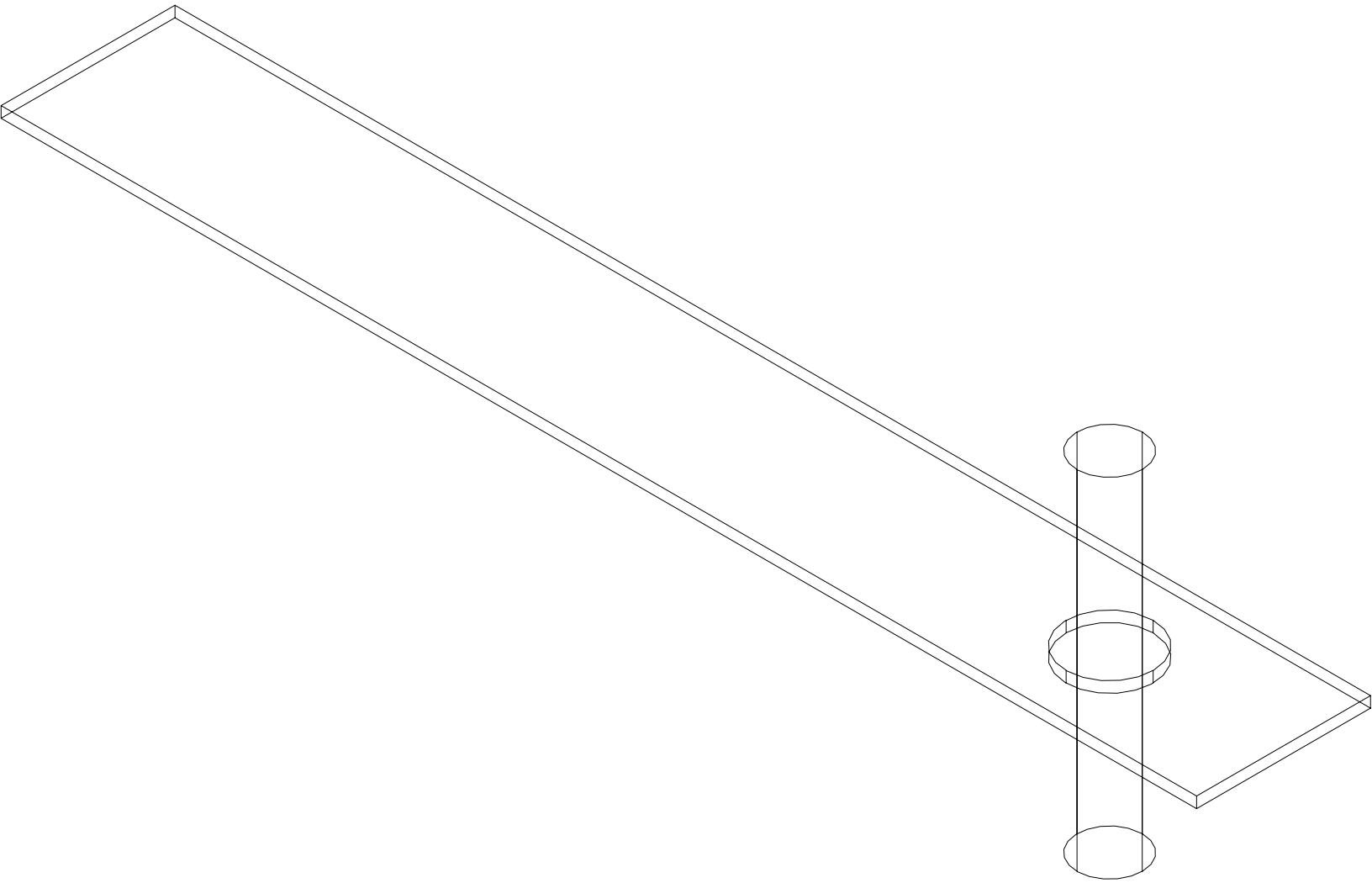


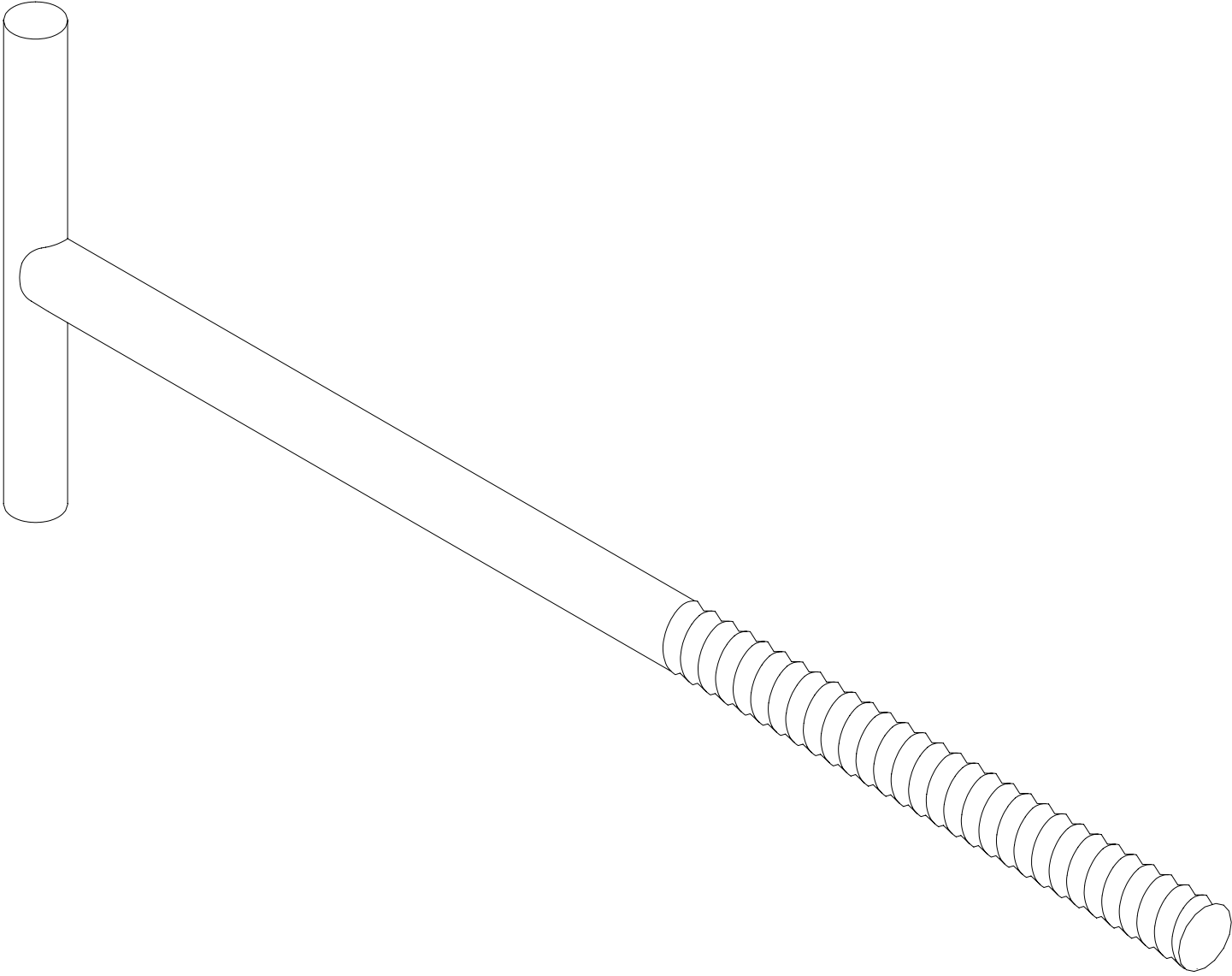








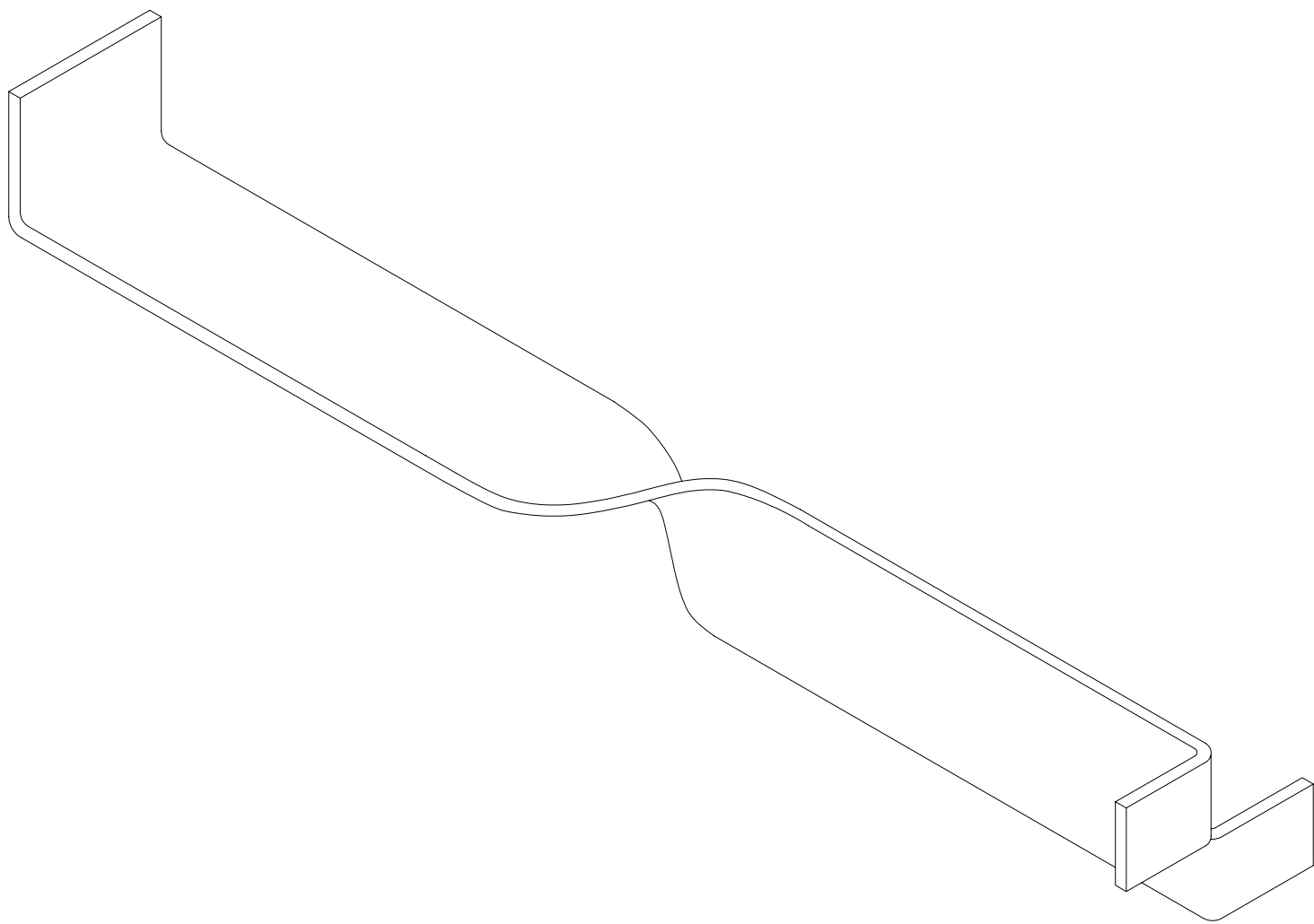


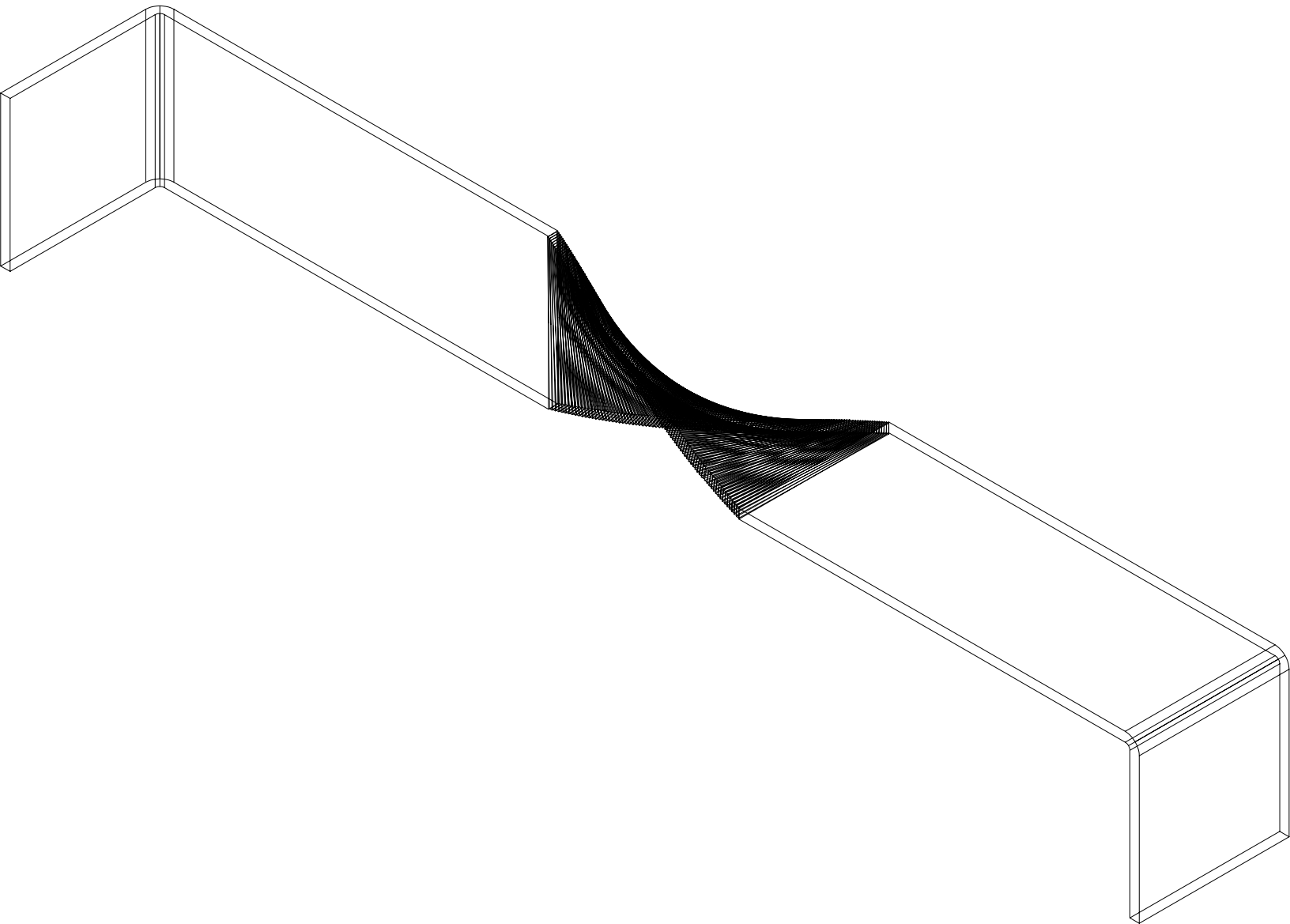


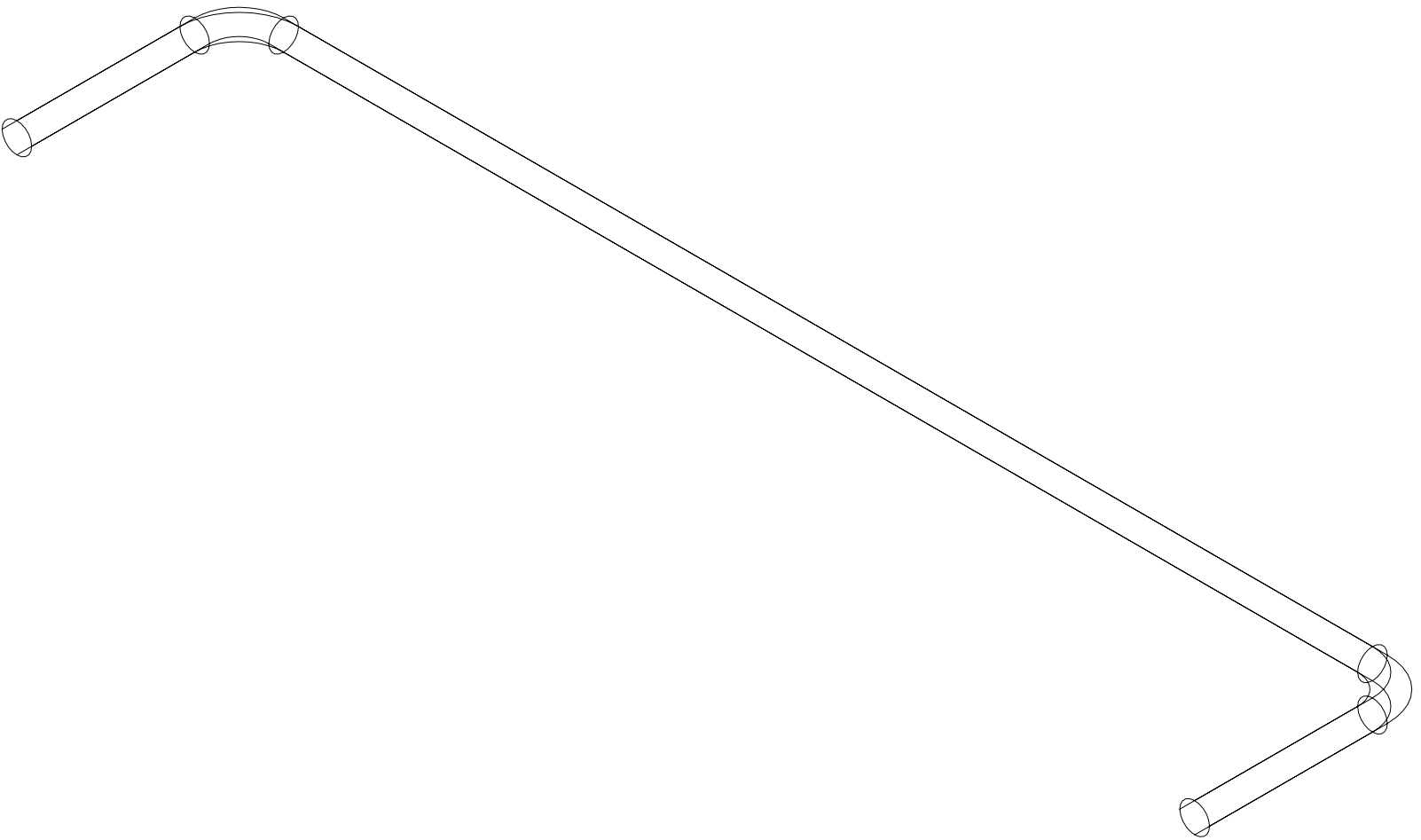
177日

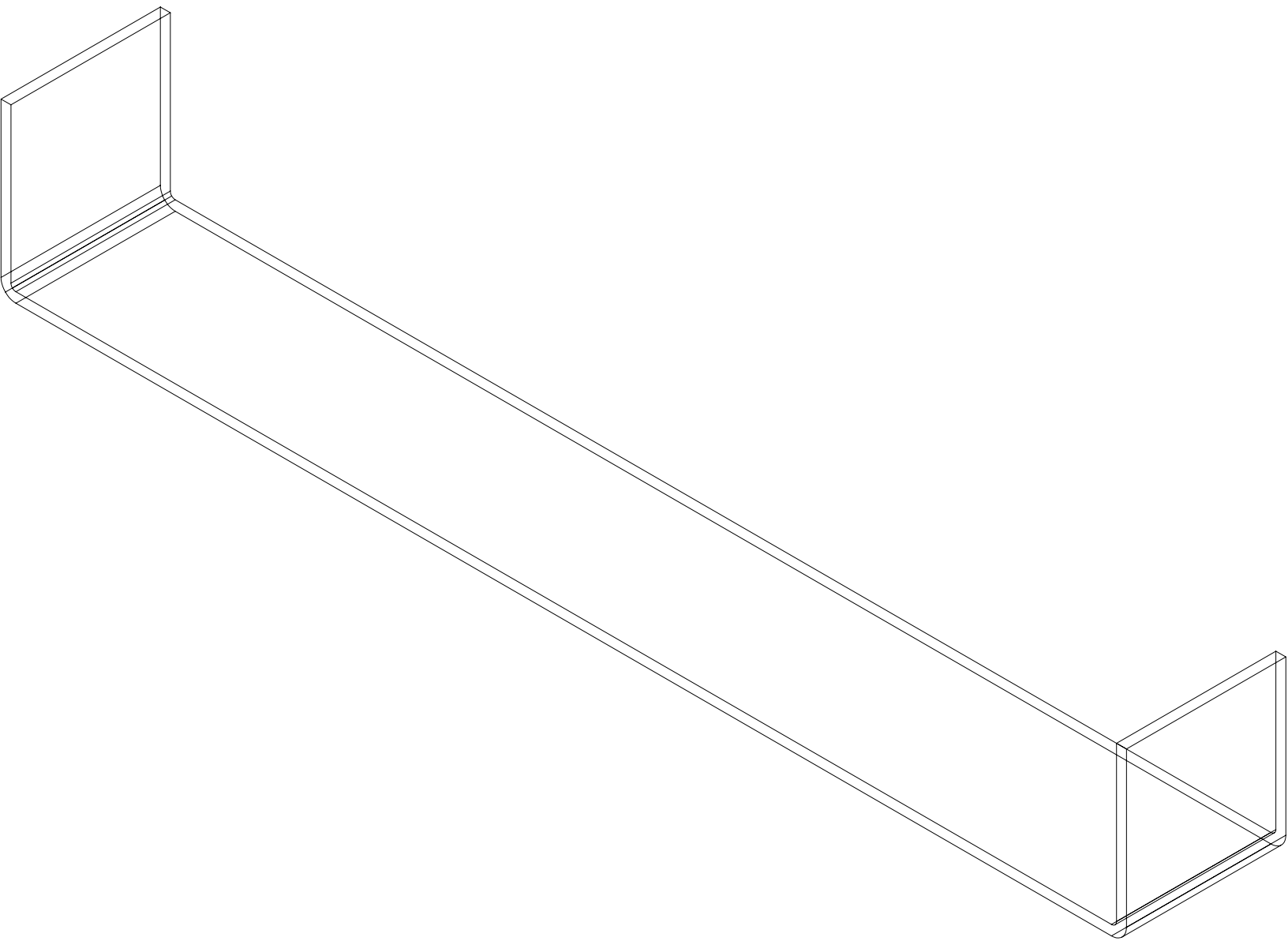


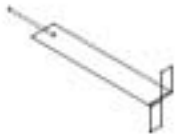




















ph.800-398-1199 • fx.214-398-1293 • 301 Pleasant Drive • [Email Us](#)



[Products](#)

| [Profile Shapes](#)

| [Technical](#)

| [Installation](#)

| [Design Assistant](#)

Common Types of Fasteners

Standard masonry anchors are preferred over embedded hardware for use with Cast Stone. They are reliable, time-tested, commercially available, need not be specially fabricated and afford great flexibility in meeting jobsite conditions.

Non-corrosive type anchors should be used for all anchoring. Stainless steel Type 302 or 304 are the standard type used in this class of work.

Typical sizes shown are 1/8" x 1" straps, 1/4" rods and 1/2" dowels. Dowel holes for 1/2" or 3/4" dowels are usually 1" diameter filled completely with mortar during setting. Anchor slots are typically 3/4" wide and similarly are filled with mortar.

Typical details are not universal. The Cast Stone institute strongly recommends that designers consult with the project engineer and Cast Stone Institute producer member in the early stages of design to determine the appropriate anchoring strategy.



Construction Screw

- Wood applications
- Readily available in a variety of sizes
- Secured using a drill
- More secure than Ring Shank Nail



Self Tapping Screw

- Metal applications
- Readily available in a variety of sizes
- Secured using a drill



Stainless Steel Screw

- Light metal applications
- Readily available in a variety of sizes
- Secured using a drill



Ring Shank Nail

- Wood applications
- Readily available in a variety of sizes
- Secured using a hammer
- More secure than smooth shank nail



TapCon Screw

- Masonry applications
- Readily available in a variety of sizes
- Secured using a drill
- Pilot hole recommended

Quick Links

[Video Factory Tour](#)

[About Us](#)

[Portfolio](#)

[FAQ's](#)

[Glossary](#)

[Testimonials](#)

[Contact Us](#)

[Index And Sitemap](#)

**Become a Member
of Stone Legends**
for access to our
entire library

[More Steps...](#)

[More Stair Cases...](#)

[Brochures...](#)



Construction Screw

- Wood applications
- Readily available in a variety of sizes
- Secured using a drill
- More secure than Ring Shank Nail



Self Tapping Screw

- Metal applications
- Readily available in a variety of sizes
- Secured using a drill



Stainless Steel Screw

- Light metal applications
- Readily available in a variety of sizes
- Secured using a drill



Ring Shank Nail

- Wood applications
- Readily available in a variety of sizes
- Secured using a hammer
- More secure than smooth shank nail



TapCon Screw

- Masonry applications
- Readily available in a variety of sizes
- Secured using a drill
- Pilot hole recommended



ph.800-398-1199 • fx.214-398-1293 • 301 Pleasant Drive • [Email Us](#)



[Products](#)

[Profile Shapes](#)

[Technical](#)

[Installation](#)

[Design Assistant](#)

Inserts

Quick Links

[Video Factory Tour](#)

[About Us](#)

[Portfolio](#)

[FAQ's](#)

[Glossary](#)

[Testimonials](#)

[Contact Us](#)

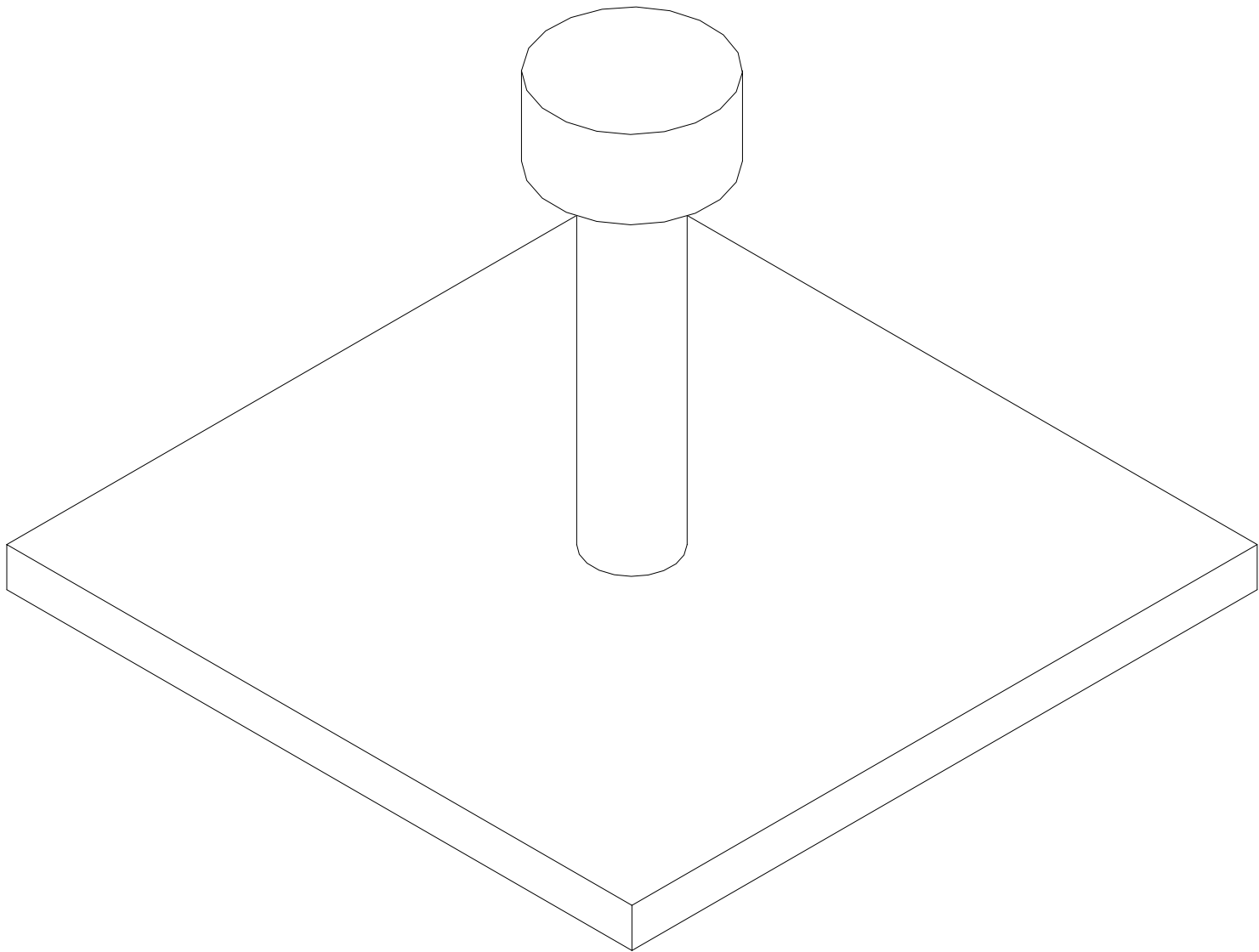
[Index And Sitemap](#)

Become a Member of Stone Legends
for access to our entire library

[More Steps...](#)

[More Stair Cases...](#)

[Brochures...](#)

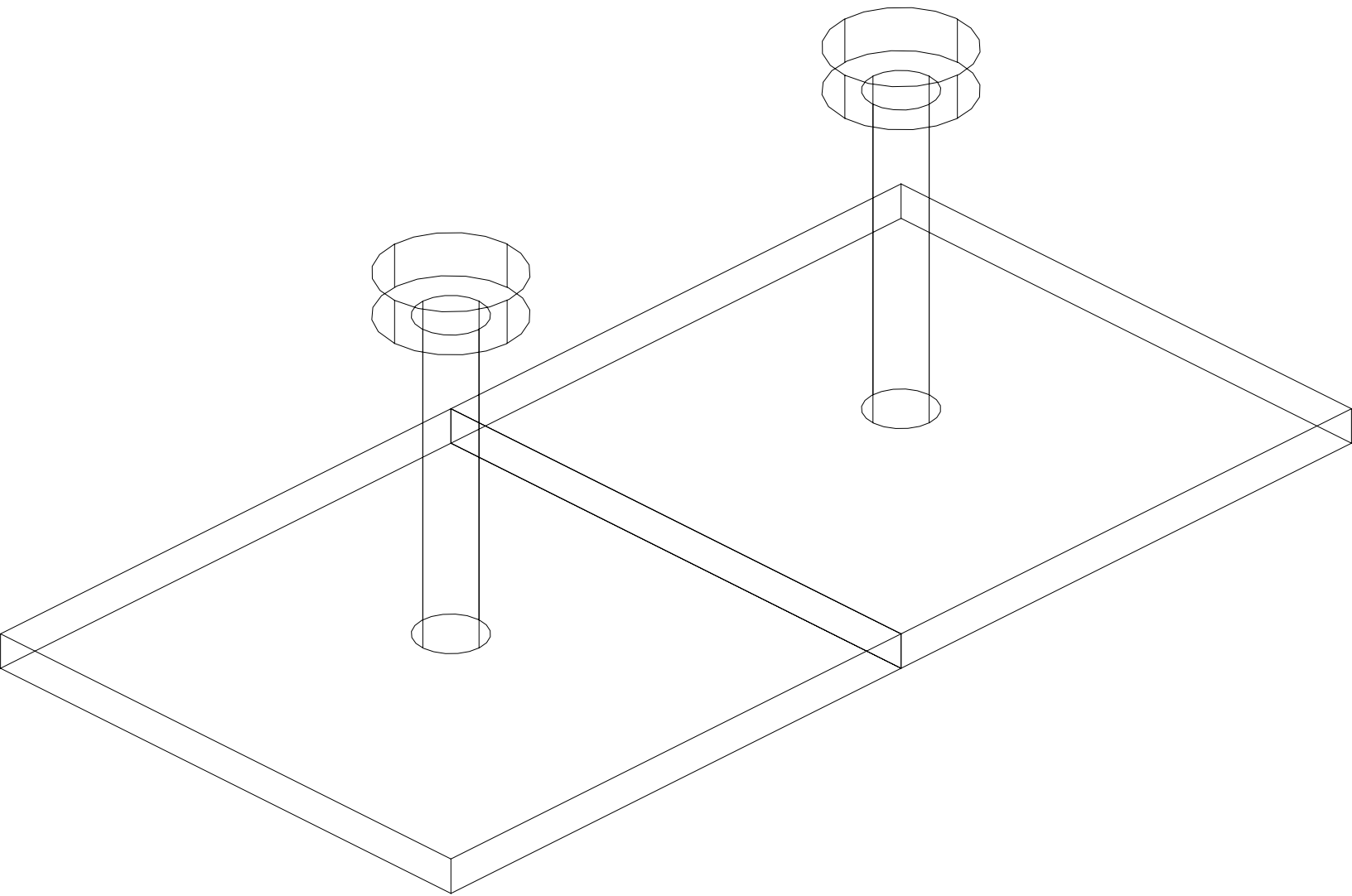


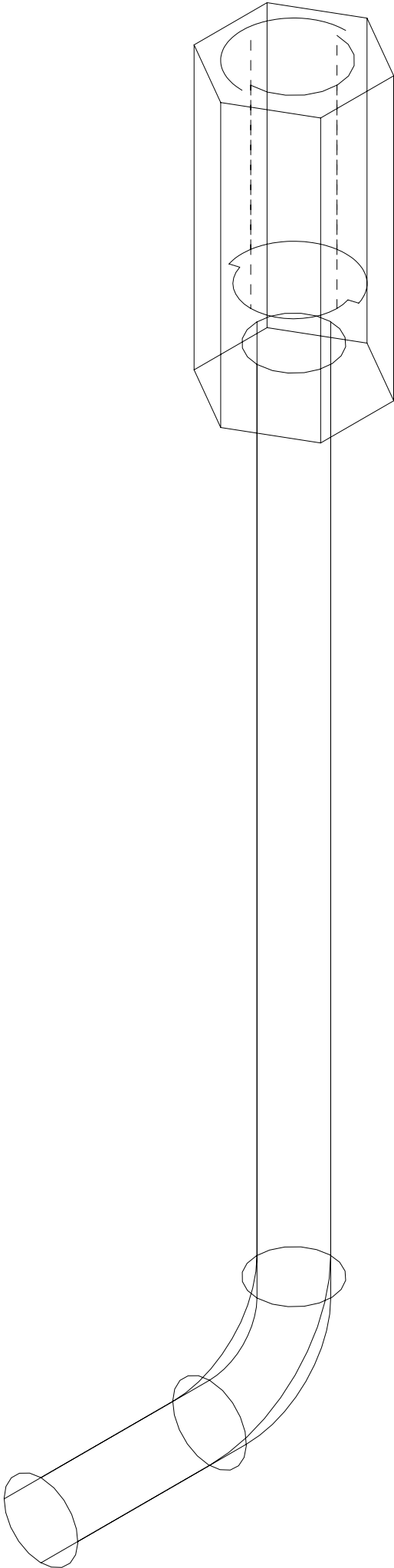
SUPPORT SYSTEMS
PROVIDED BY
OTHERS

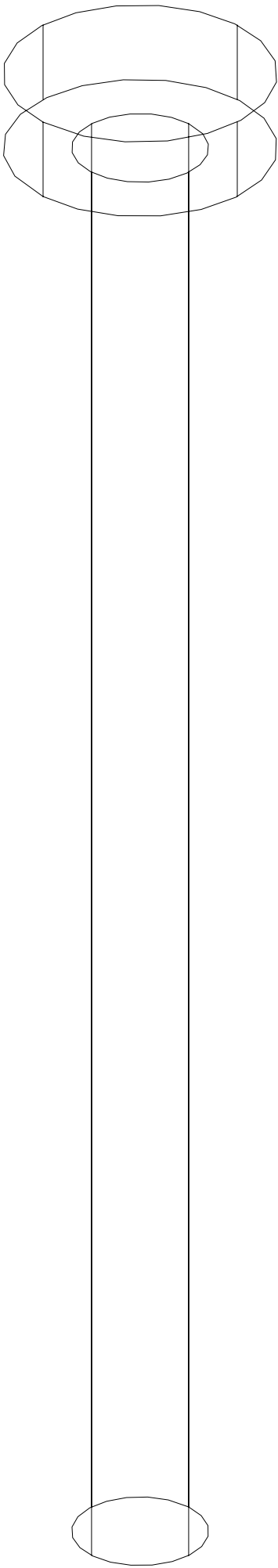
DETAIL

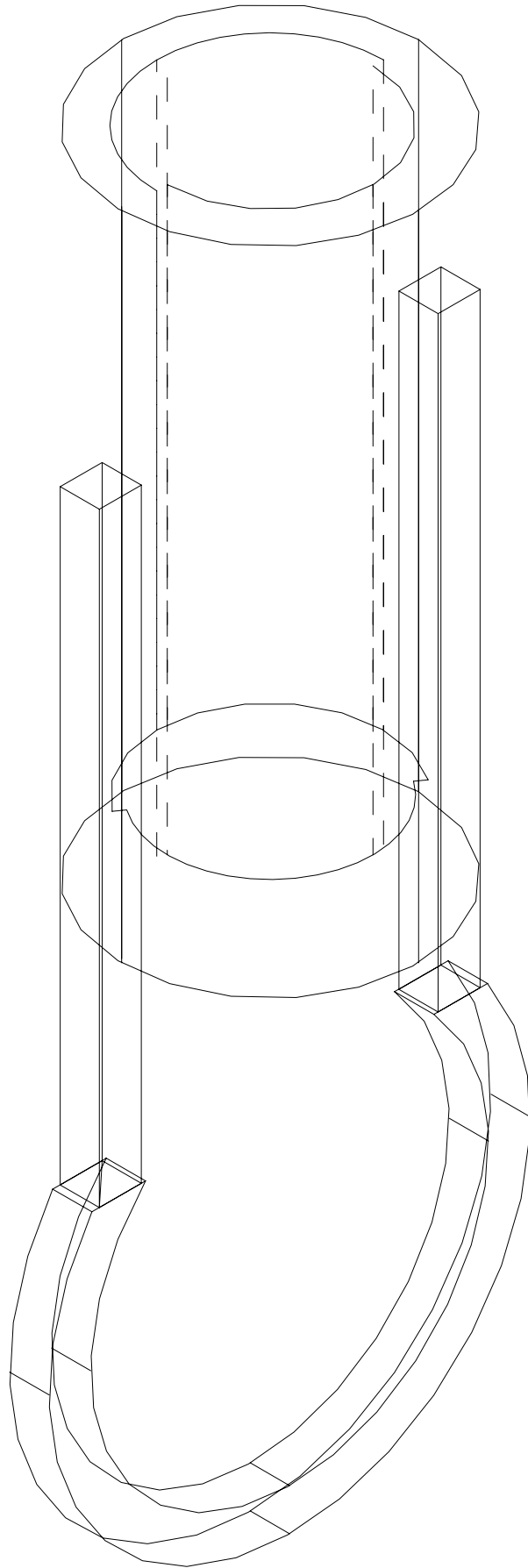
4x4x1/4" WELD PLATE

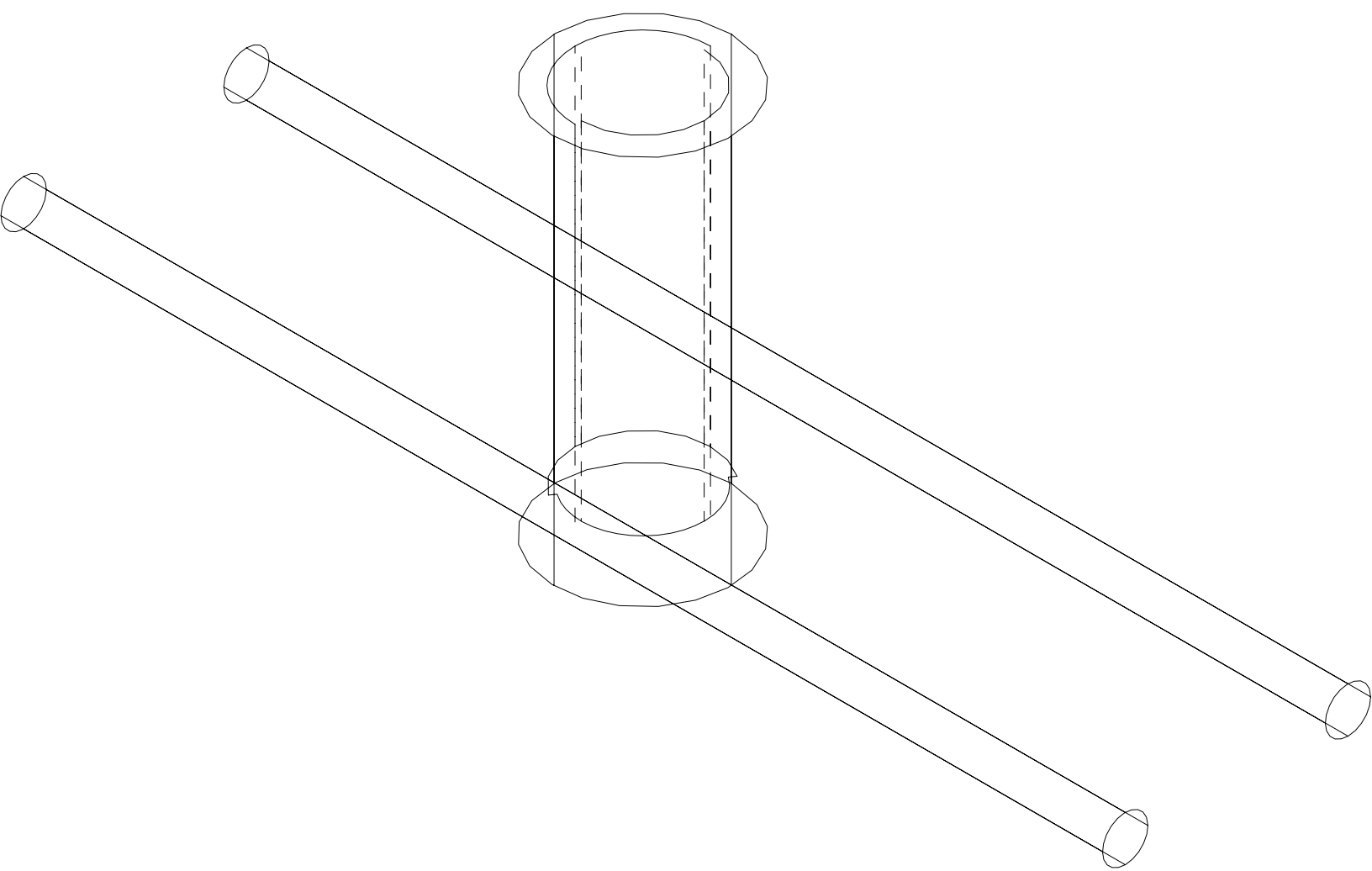
NTS

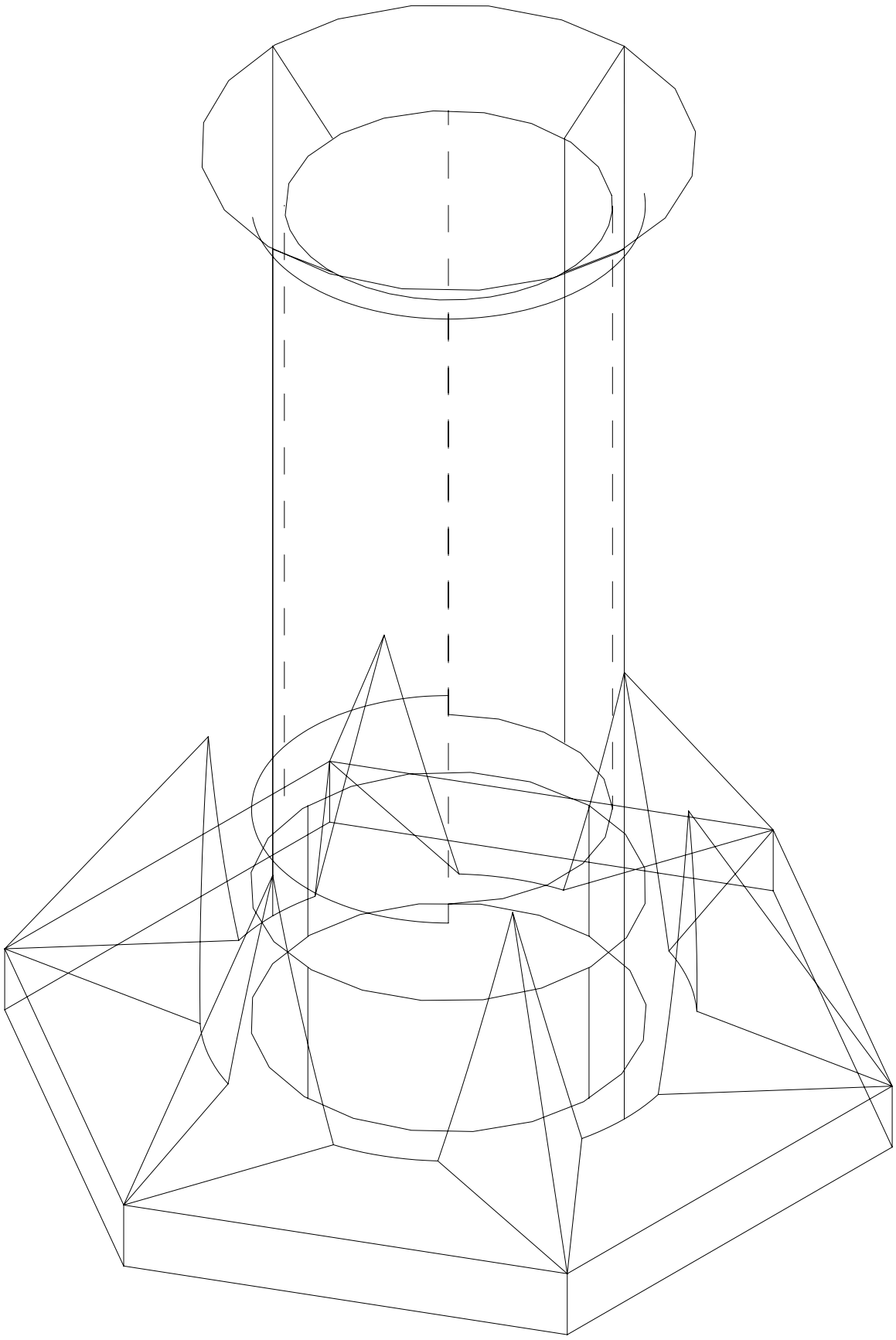


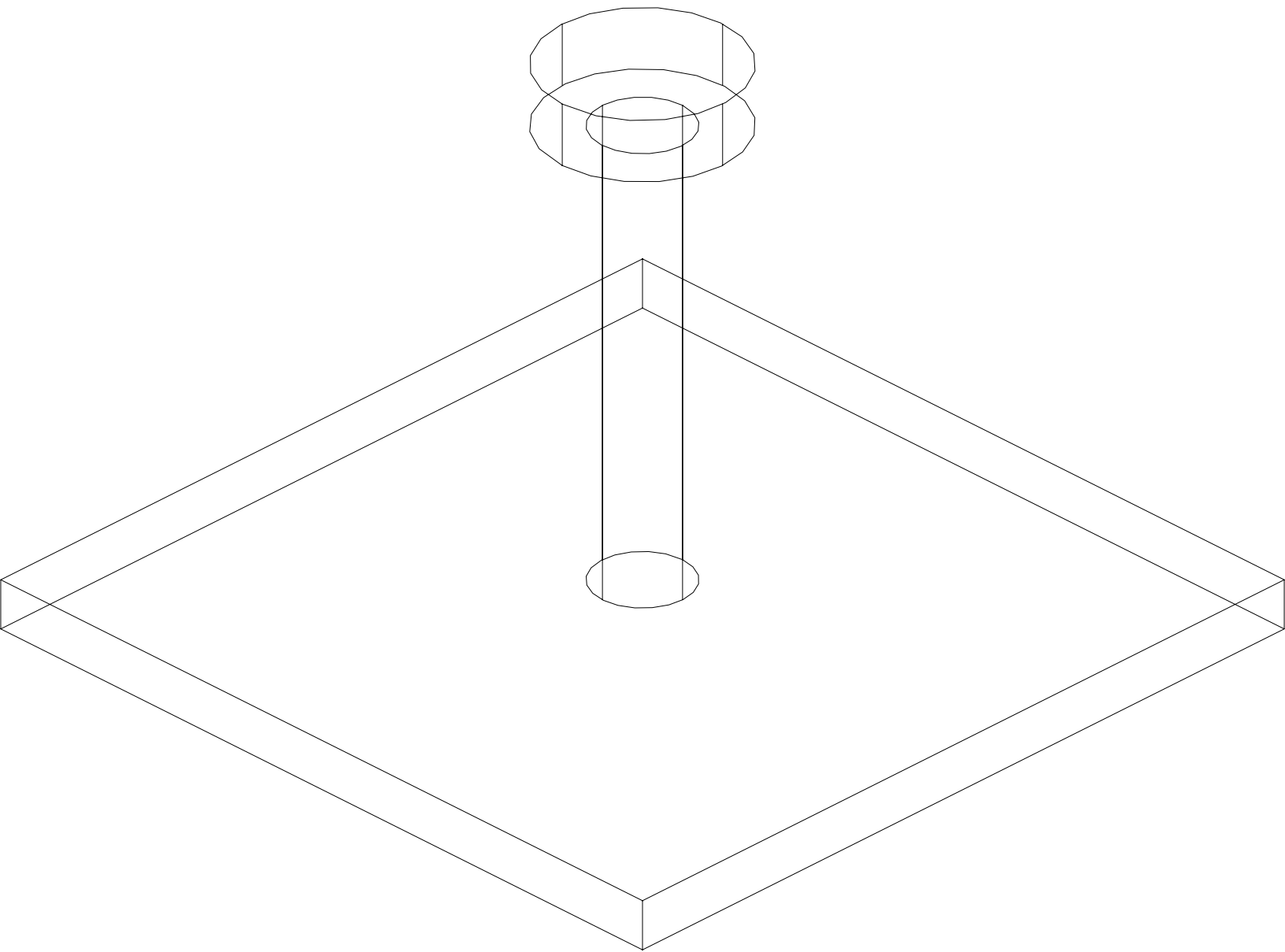


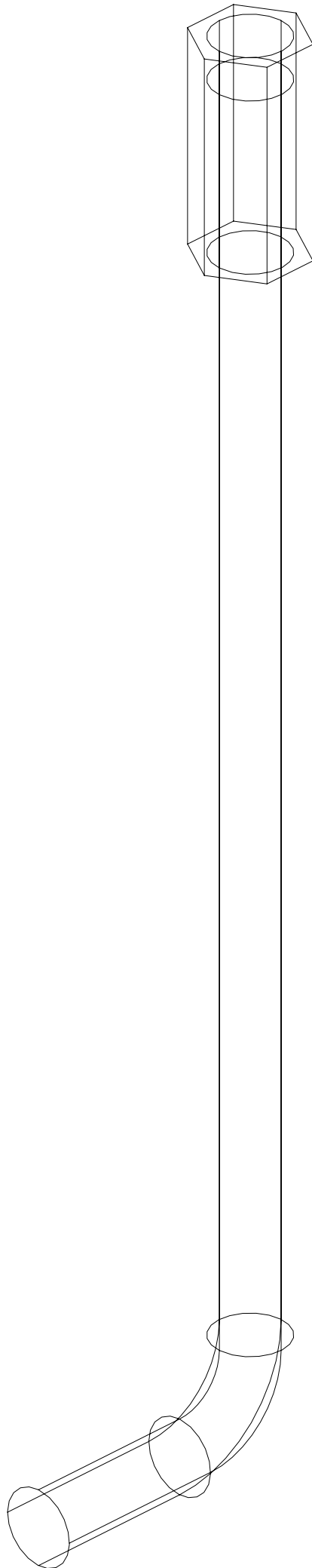


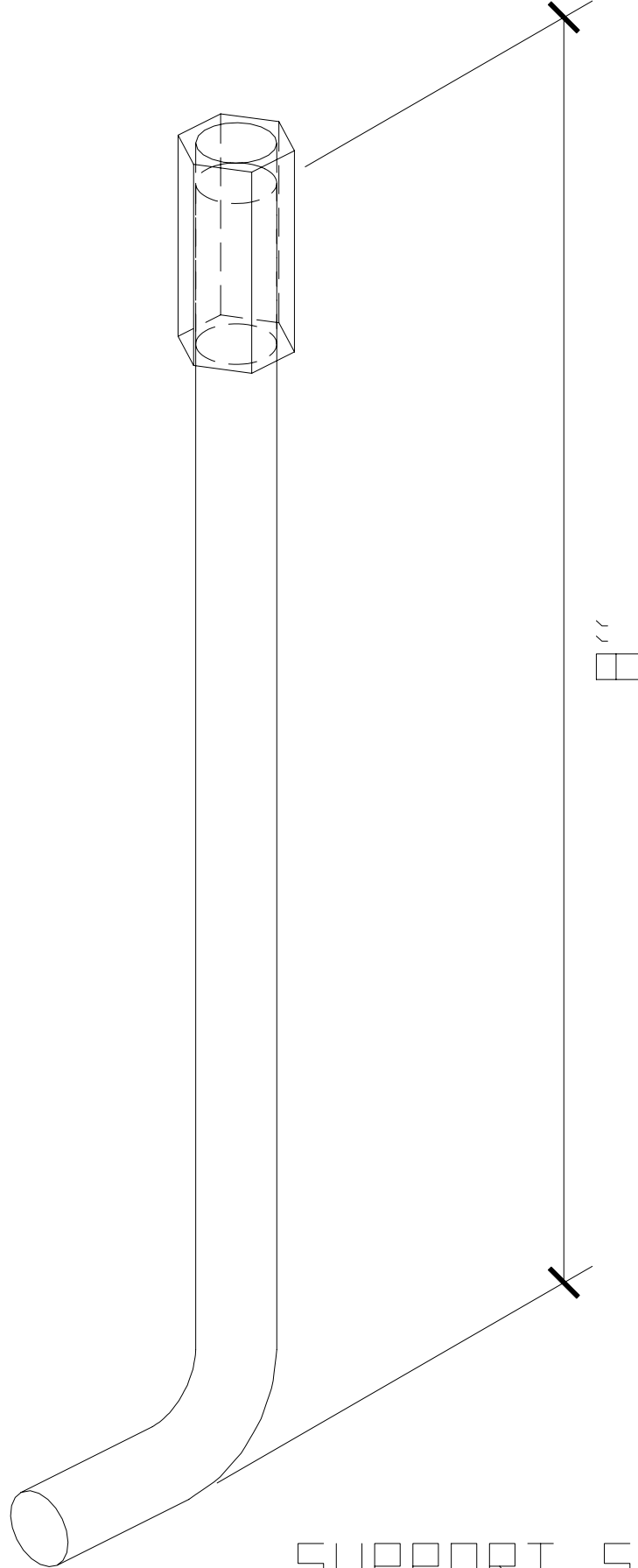






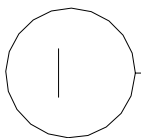






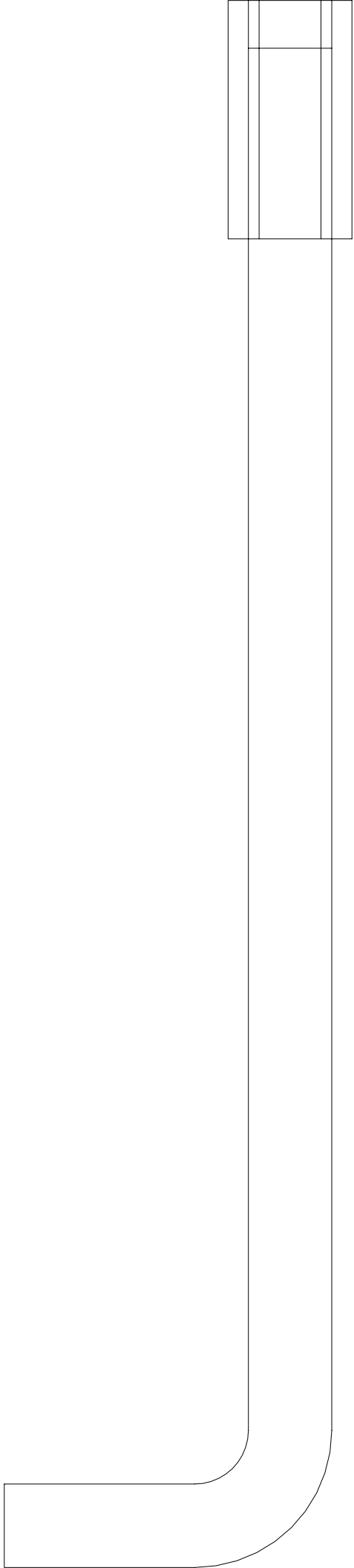
SUPPORT SYSTEMS
PROVIDED BY
OTHERS

DETAIL

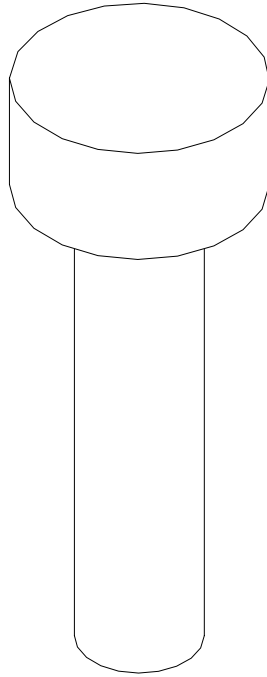


J-HOOK STANDARD INSERT

NTS







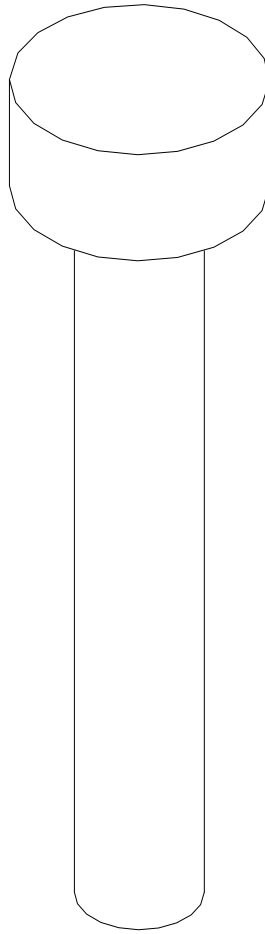
SUPPORT SYSTEMS
PROVIDED BY
OTHERS

DETAIL

1

2-5/8" NELSON BOLT

NTS

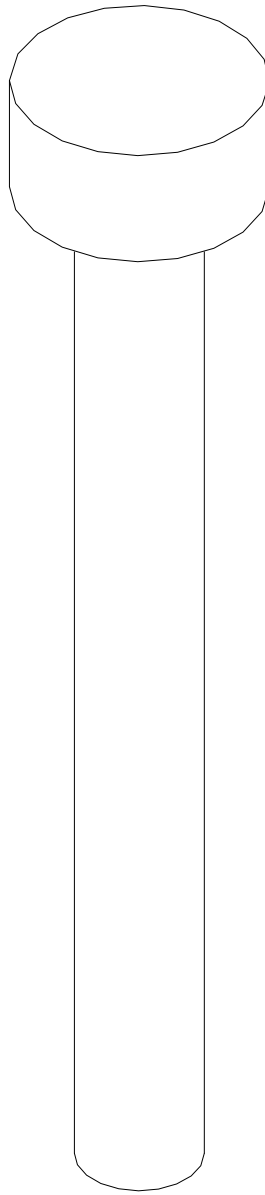


SUPPORT SYSTEMS
PROVIDED BY
OTHERS

DETAIL

3-1/8" NELSON BOLT

NTS

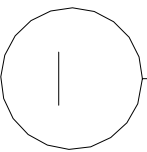


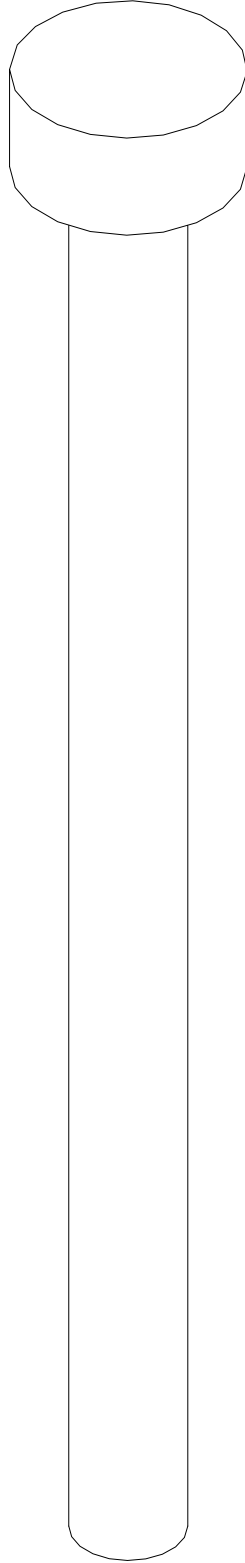
SUPPORT SYSTEMS
PROVIDED BY
OTHERS

DETAIL

4-1/8" NELSON BOLT

NTS





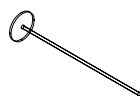
SUPPORT SYSTEMS
PROVIDED BY
OTHERS

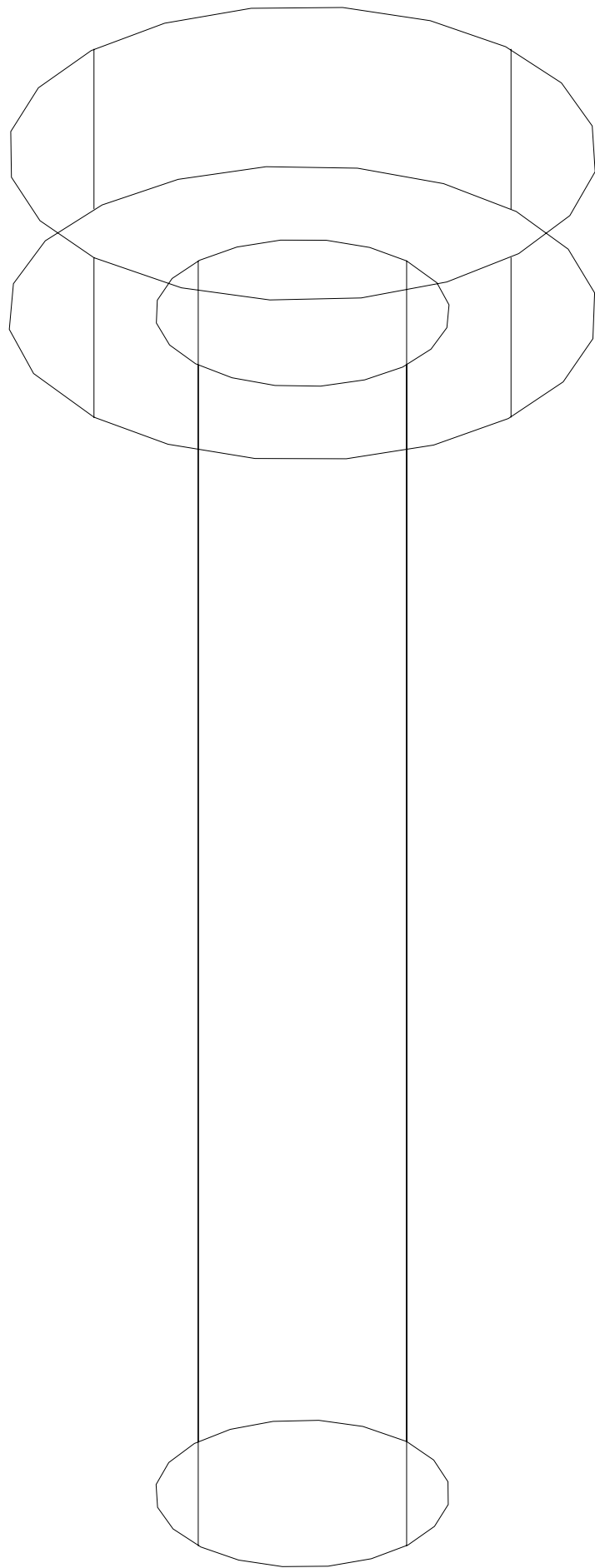
1

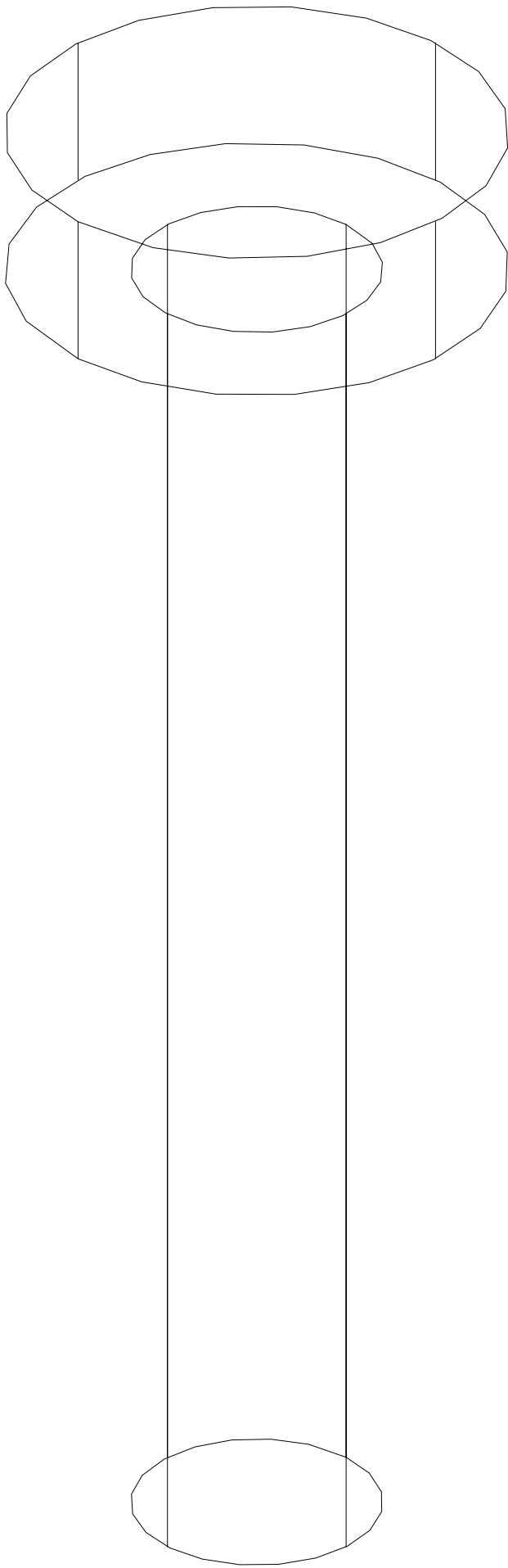
DETAIL

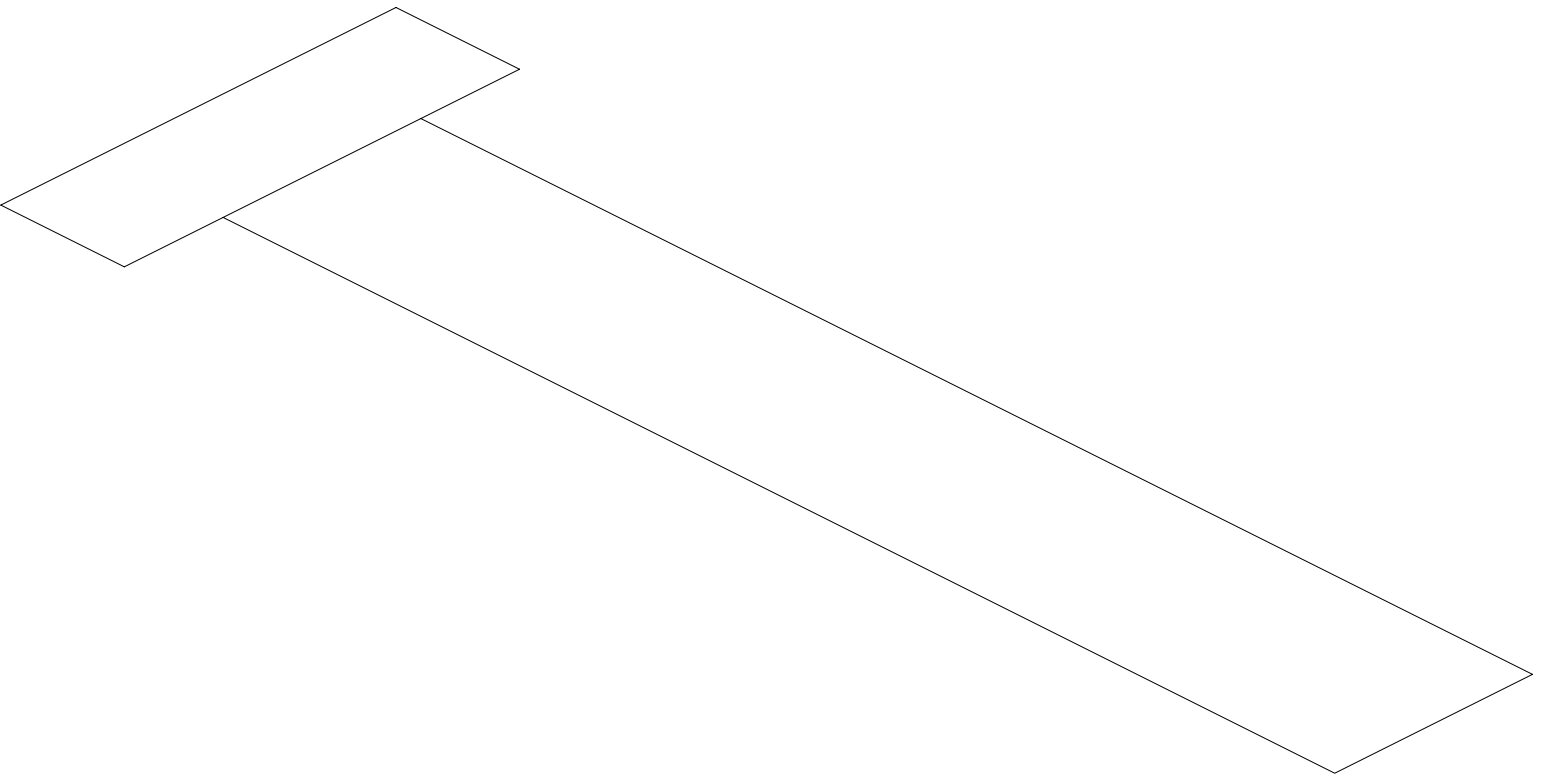
6-1/8" NELSON BOLT

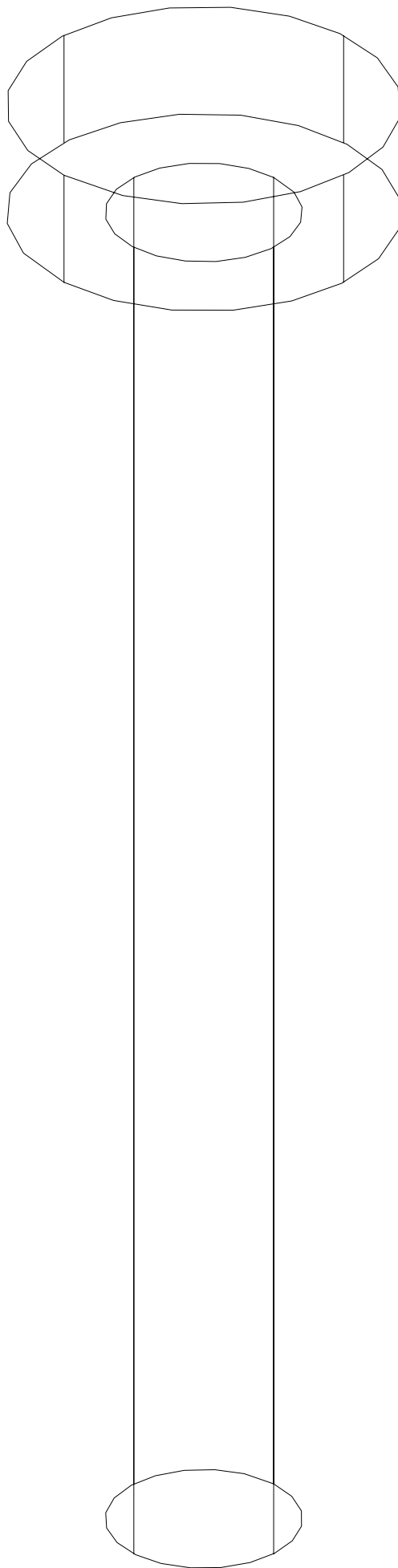
NTS

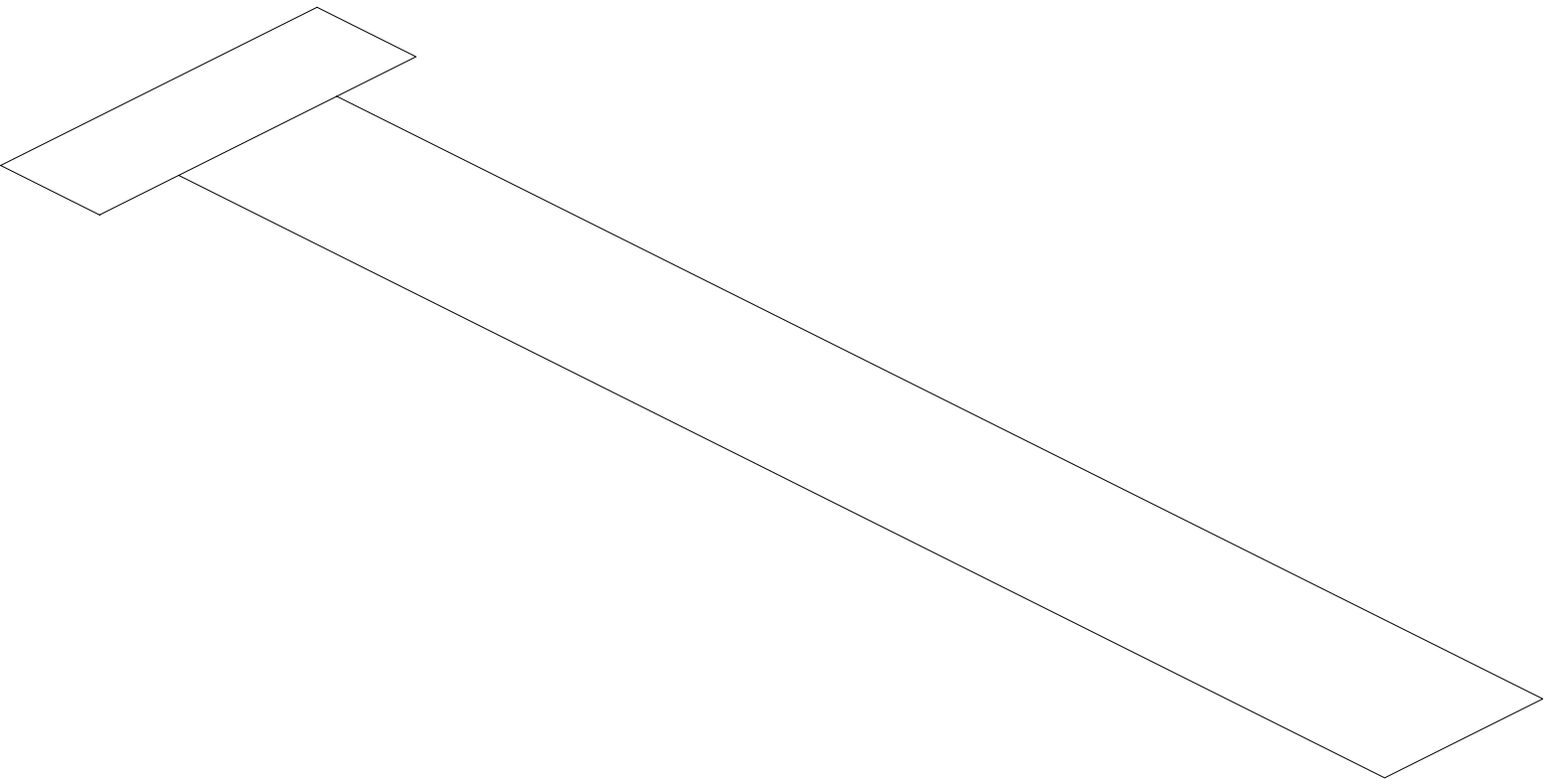


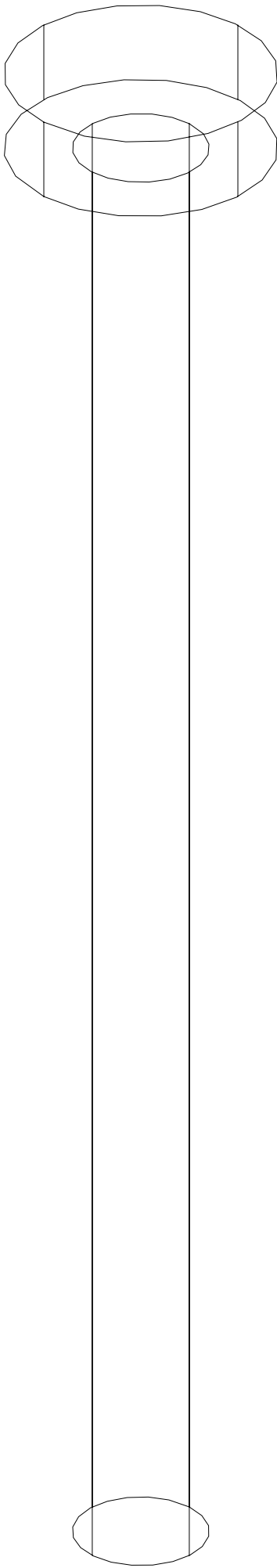


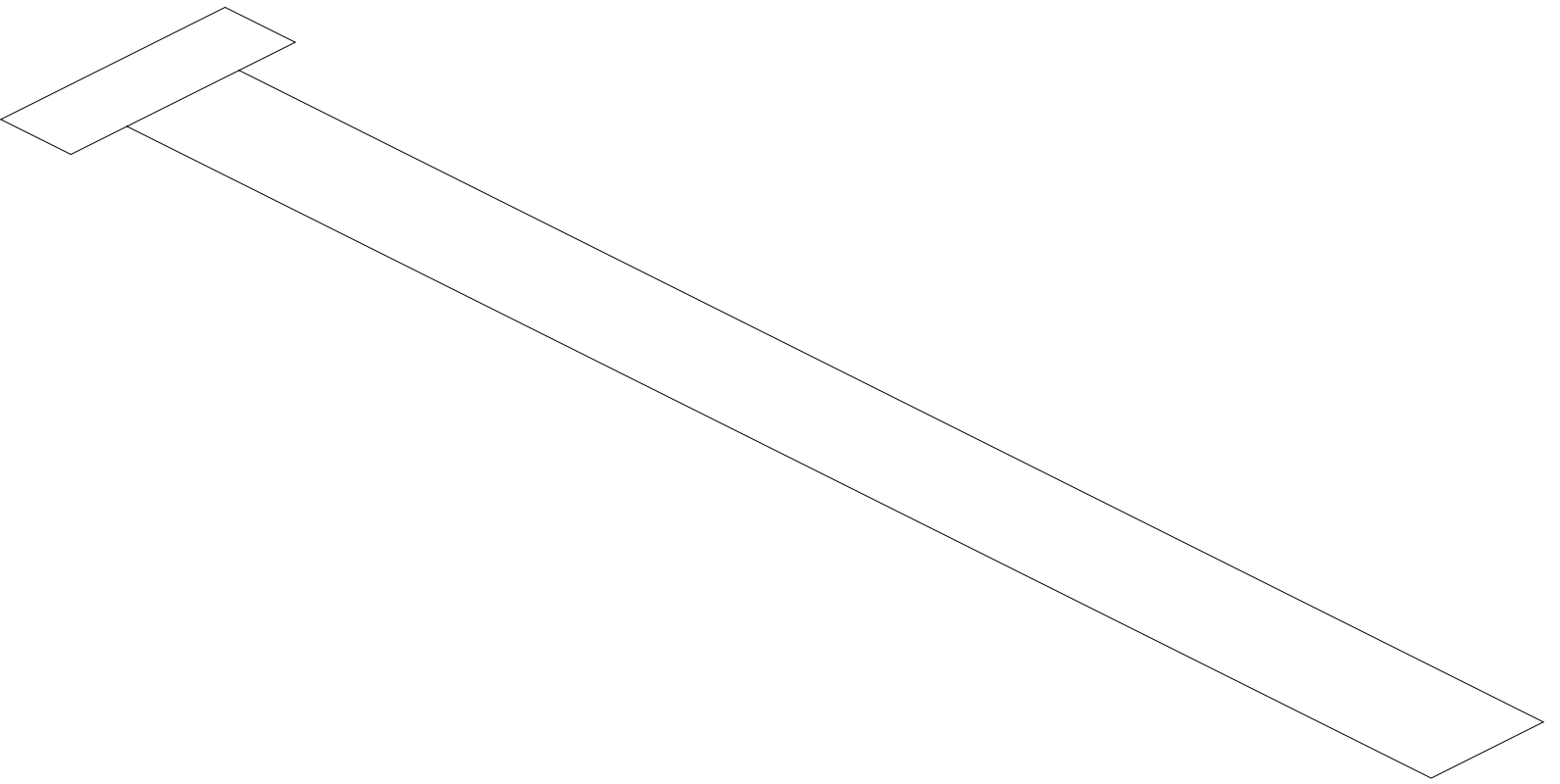


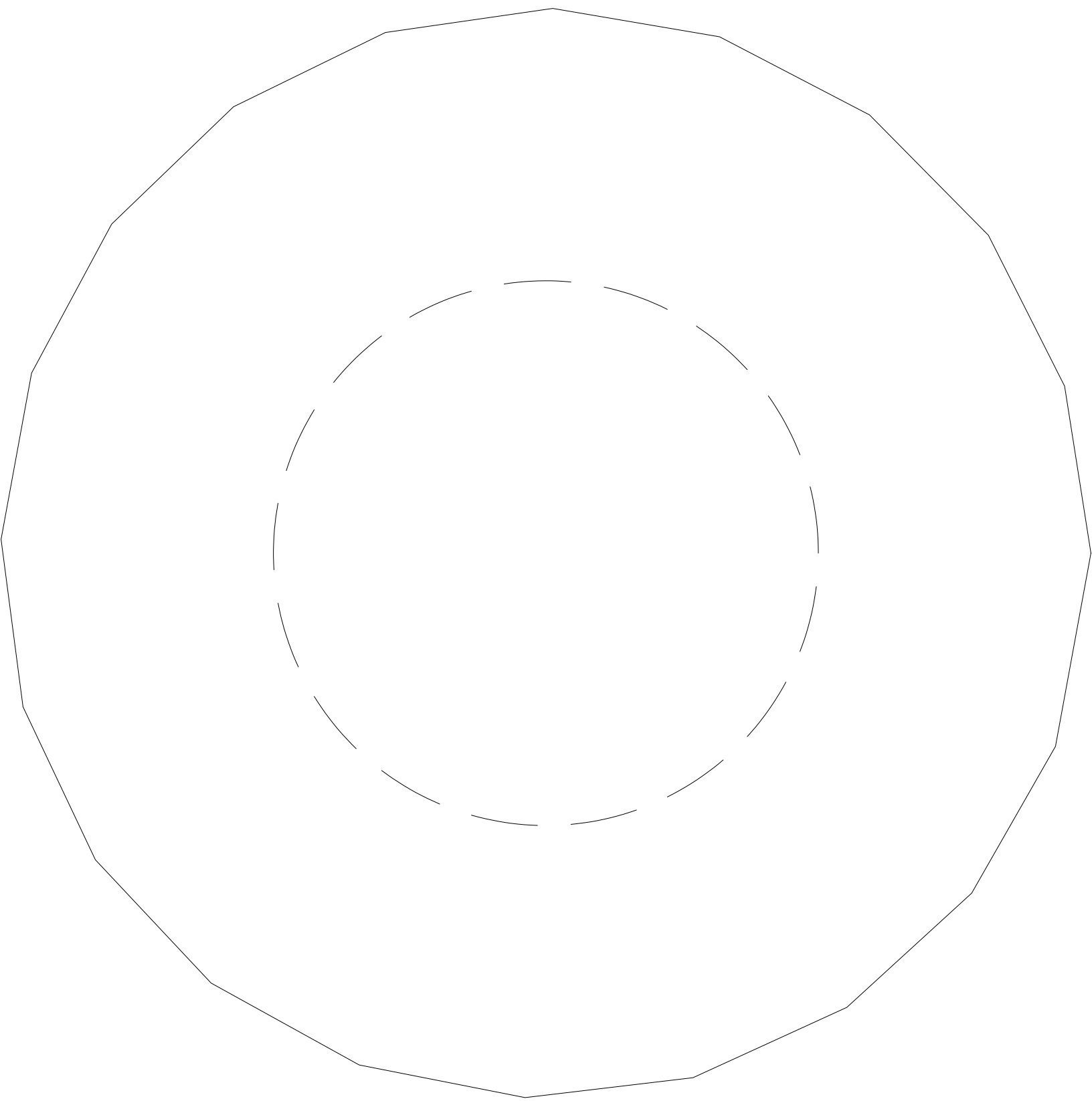


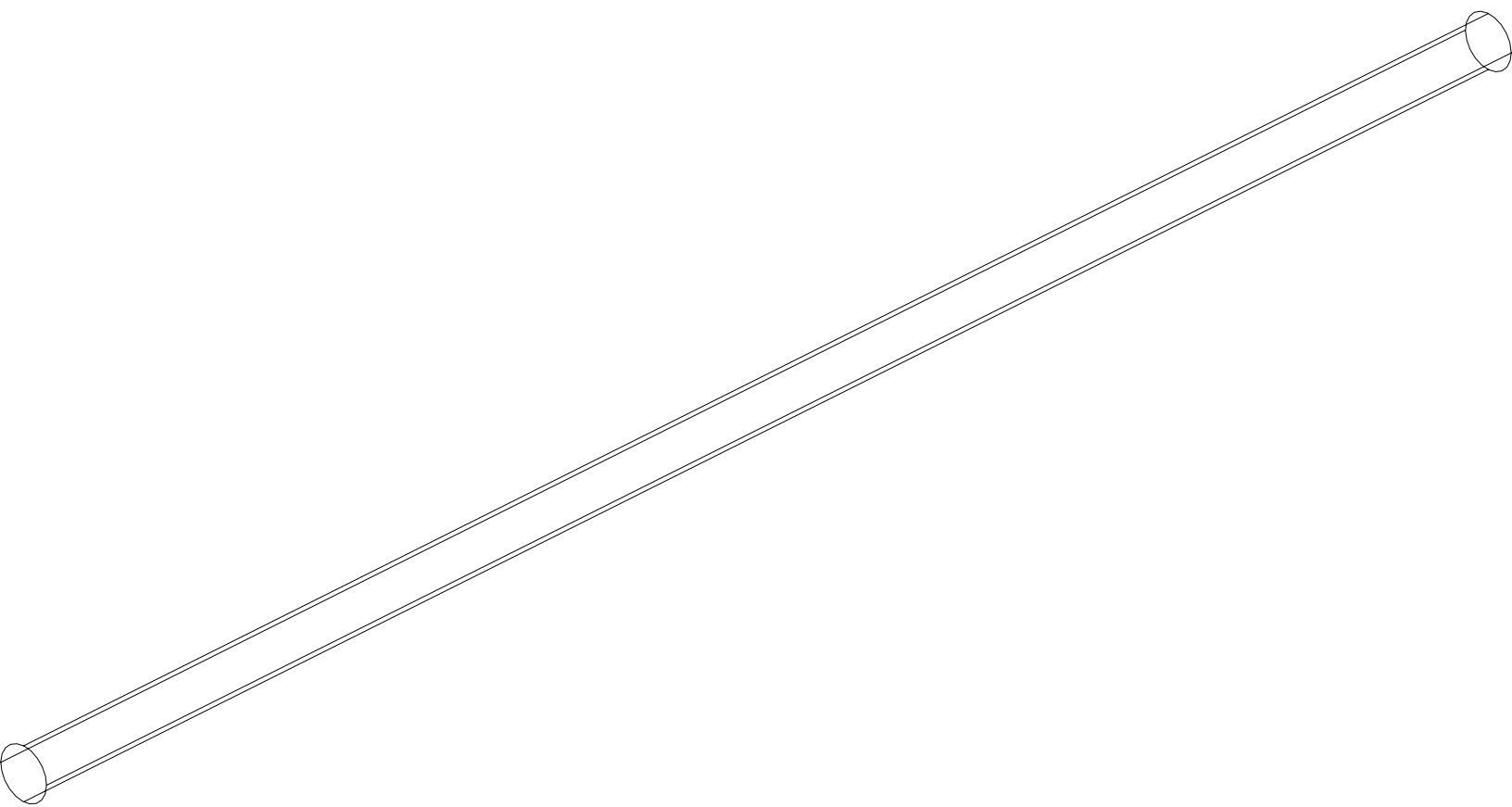


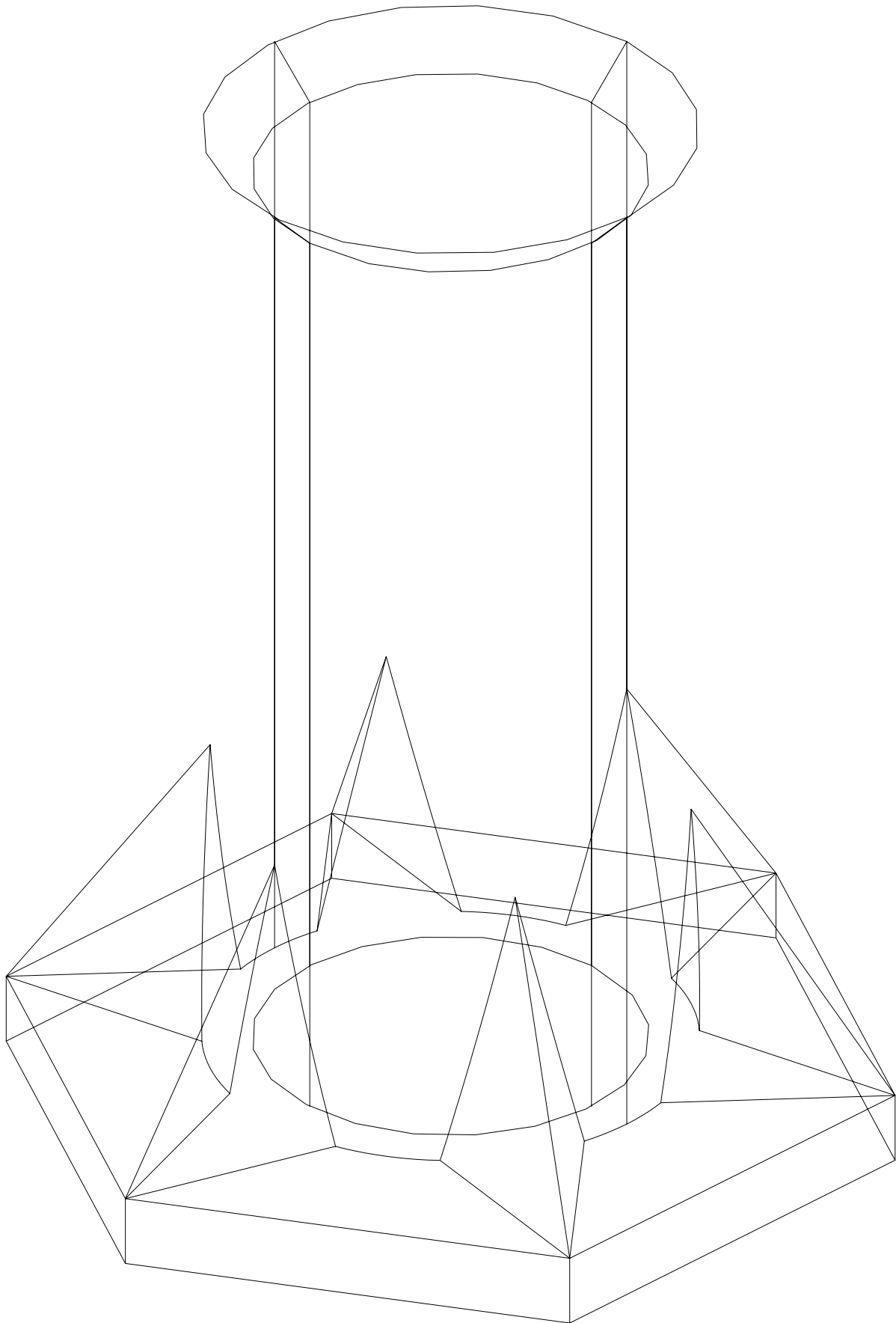


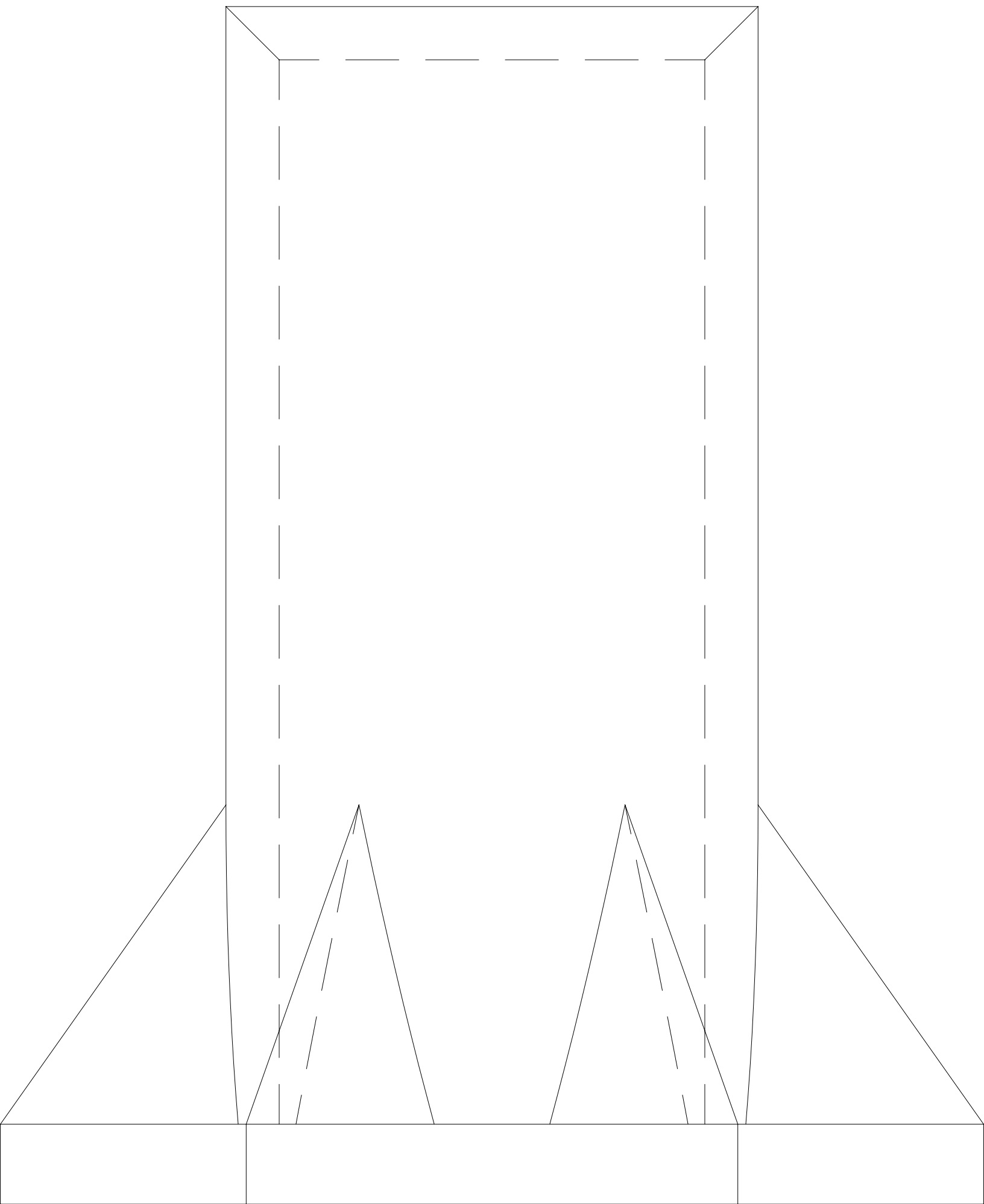


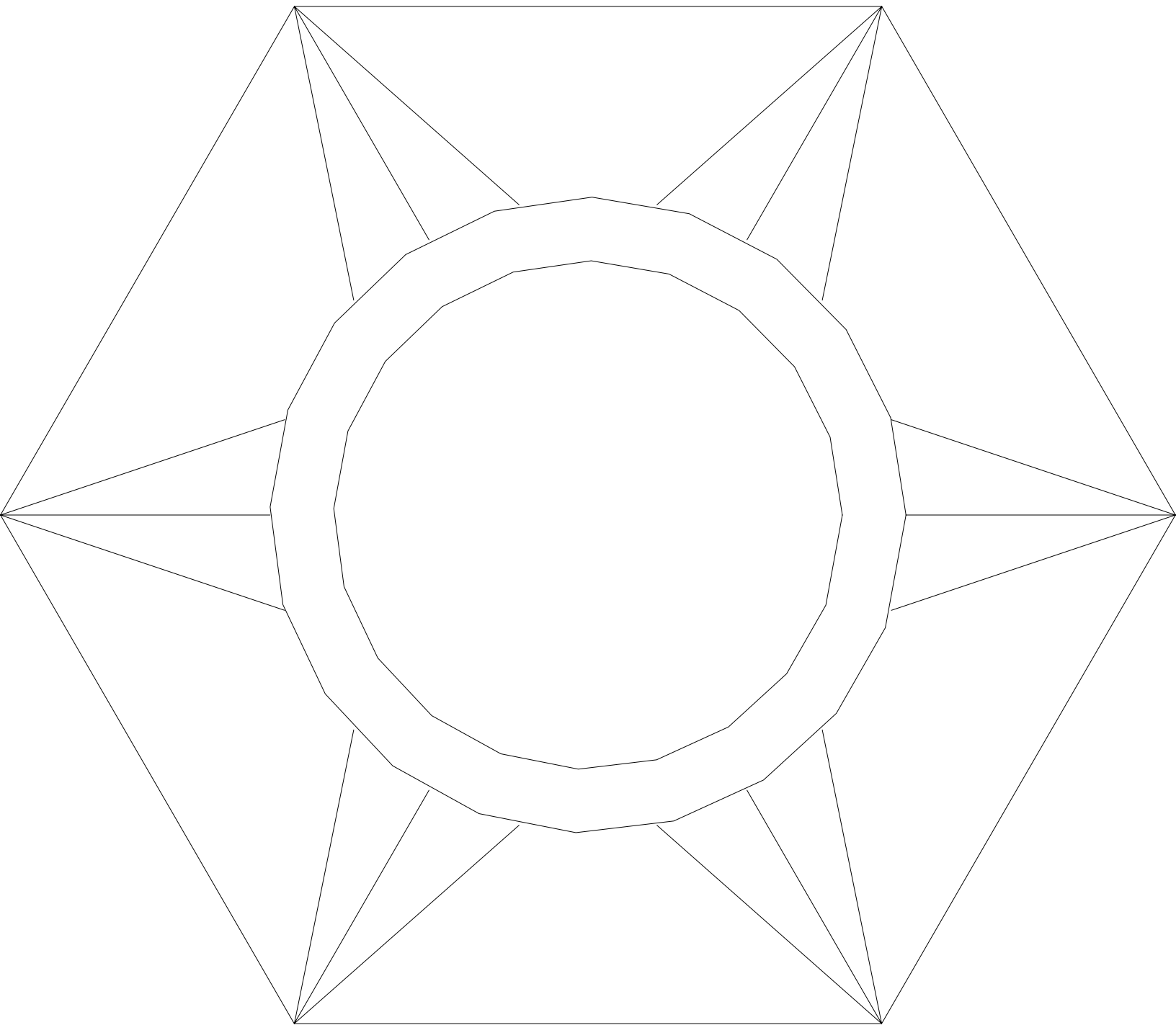


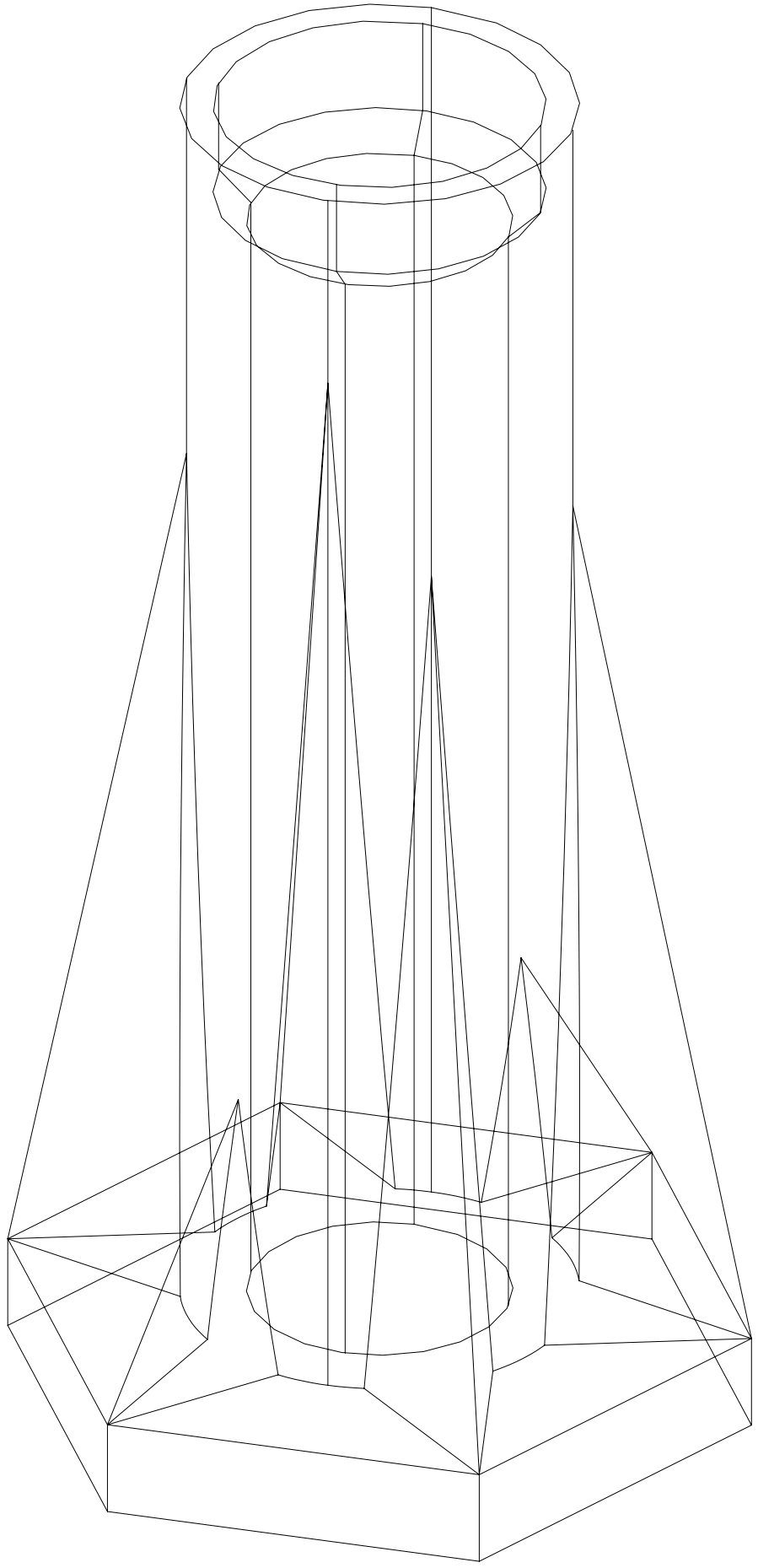


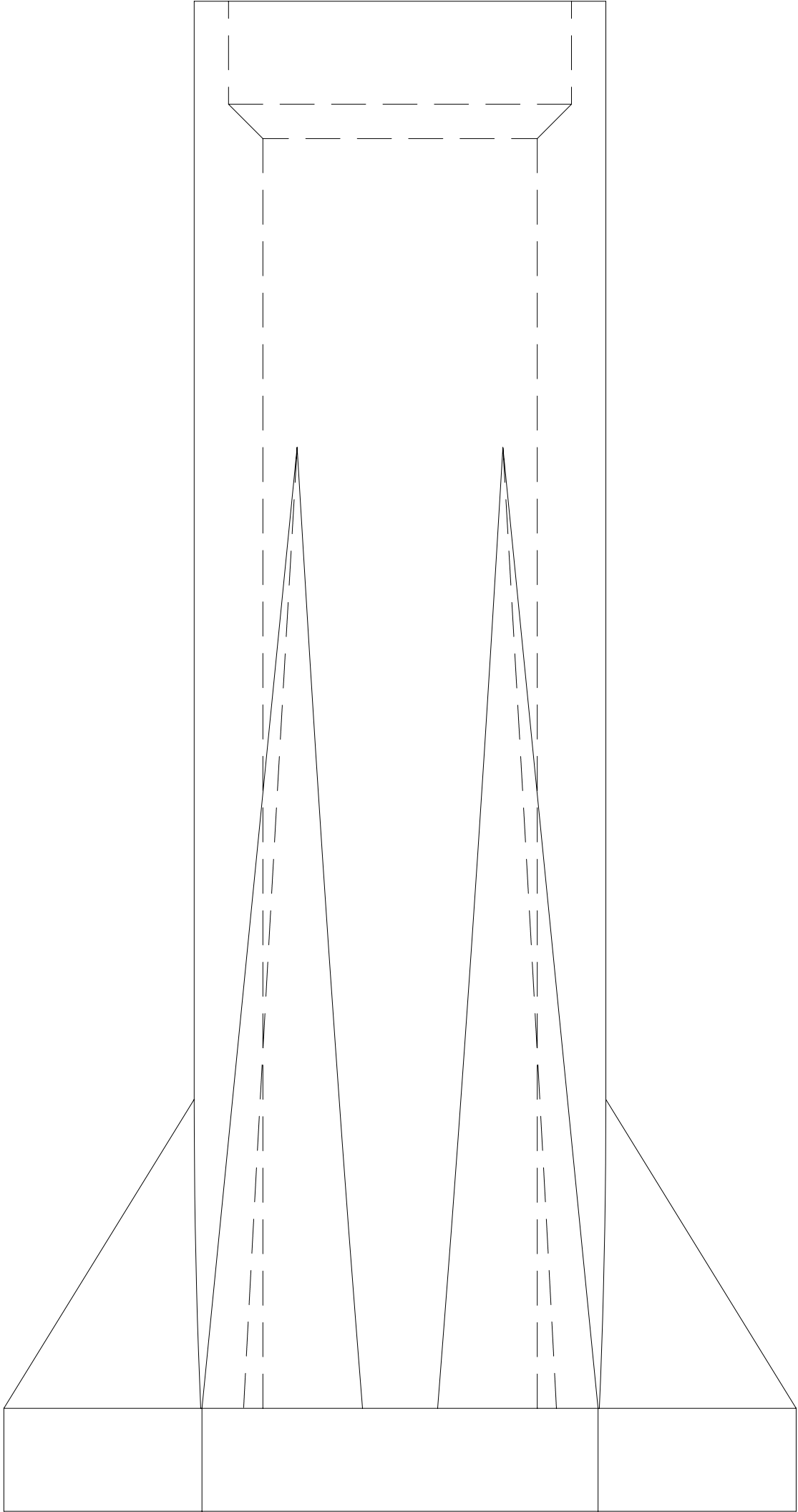


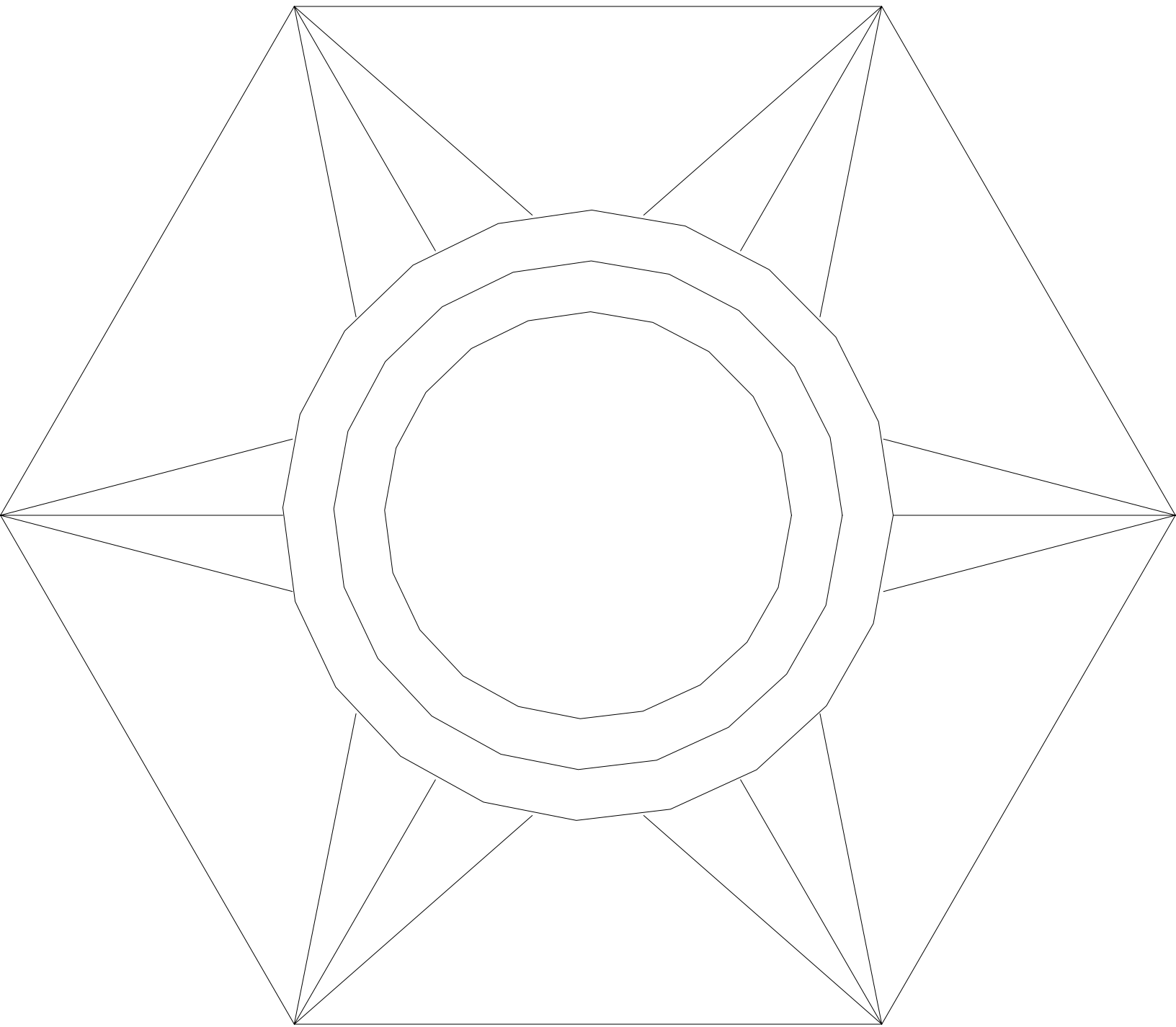


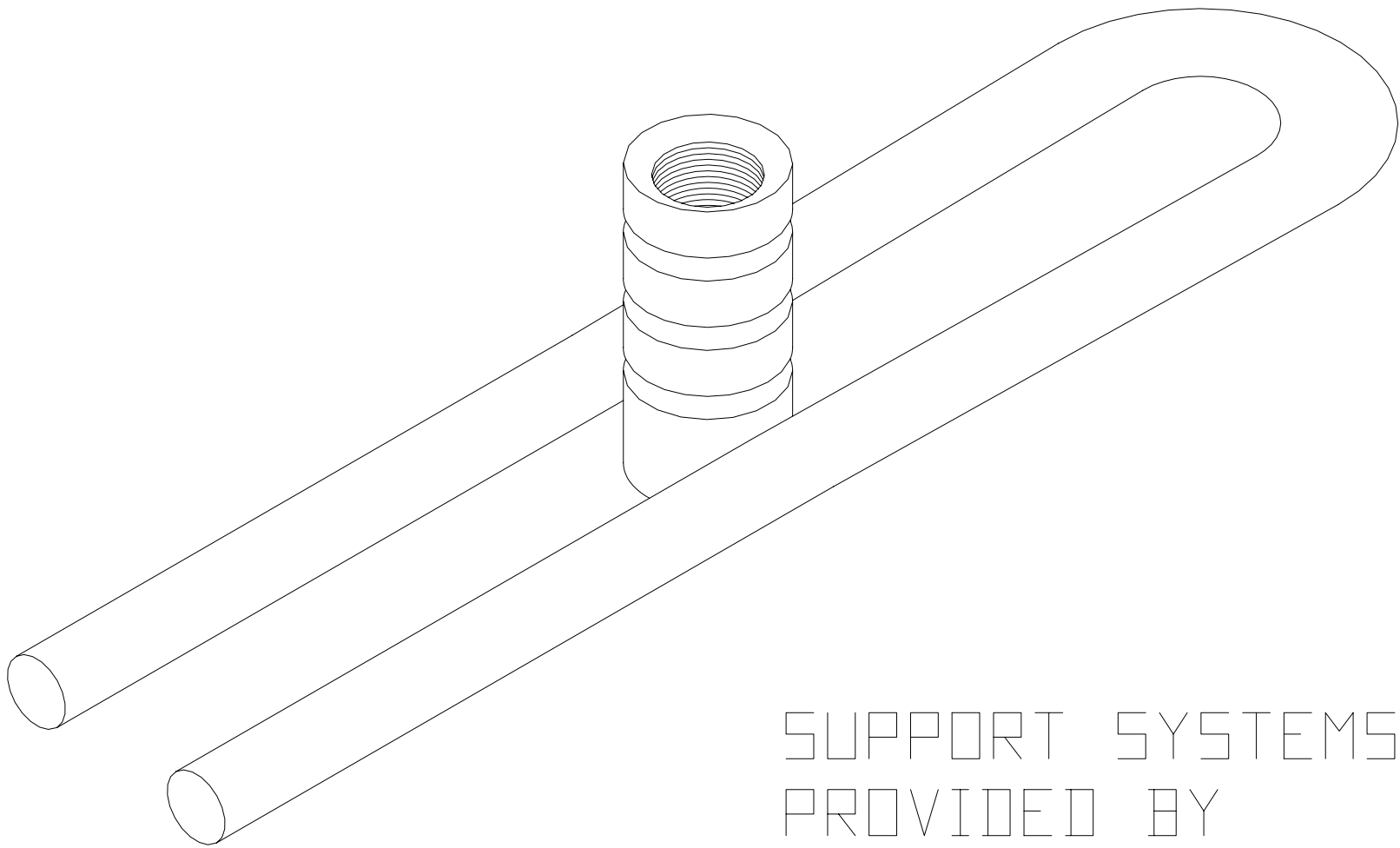




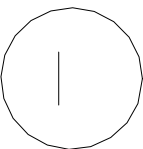








SUPPORT SYSTEMS
PROVIDED BY
OTHERS



DETAIL

THREADED INSERT SHALLOW

NTS



