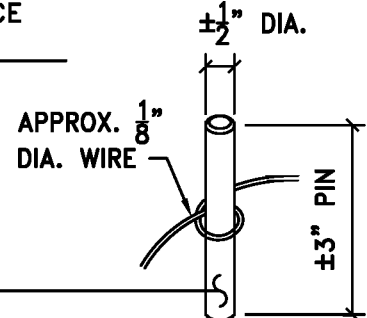
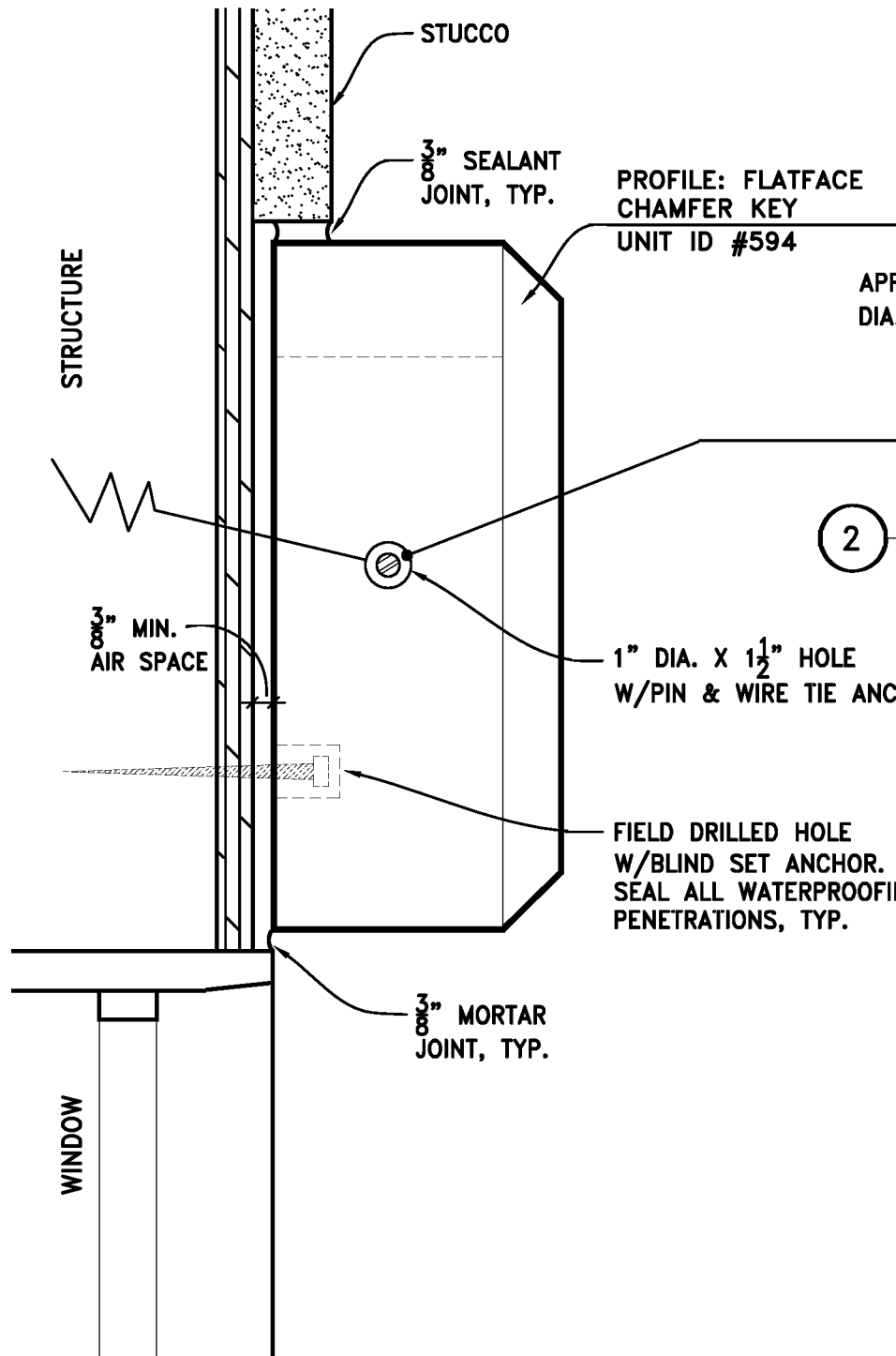


THESE DRAWINGS ARE SUGGESTED INSTALLATION DETAILS ONLY; ALL ATTACHMENTS, STEEL SIZES, GAUGE THICKNESS, AND ANCHOR SIZES SHOULD BE CALCULATED BY A STRUCTURAL ENGINEER; WE ARE NOT LIABLE FOR INSTALLATION OF ANY KIND

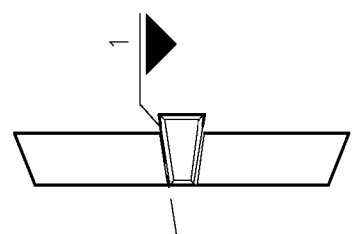


2 PIN & WIRE TIE DETAIL GALVANIZED OR BETTER

PROFILE: FLATFACE CHAMFER KEY
UNIT ID #594

1" DIA. X 1/2" HOLE
W/PIN & WIRE TIE ANCHOR.

FIELD DRILLED HOLE
W/BLIND SET ANCHOR.
SEAL ALL WATERPROOFING
PENETRATIONS, TYP.



REF. VIEW

1 CAST STONE LINTEL ATTACHMENT AT STUCCO
WITH PIN & WIRE TIE AND BLIND SET ANCHORS

TYPICAL USES:
DOOR & WINDOW HEADER

STD 3/8" MORTAR JOINT

SCALE: N.T.S.

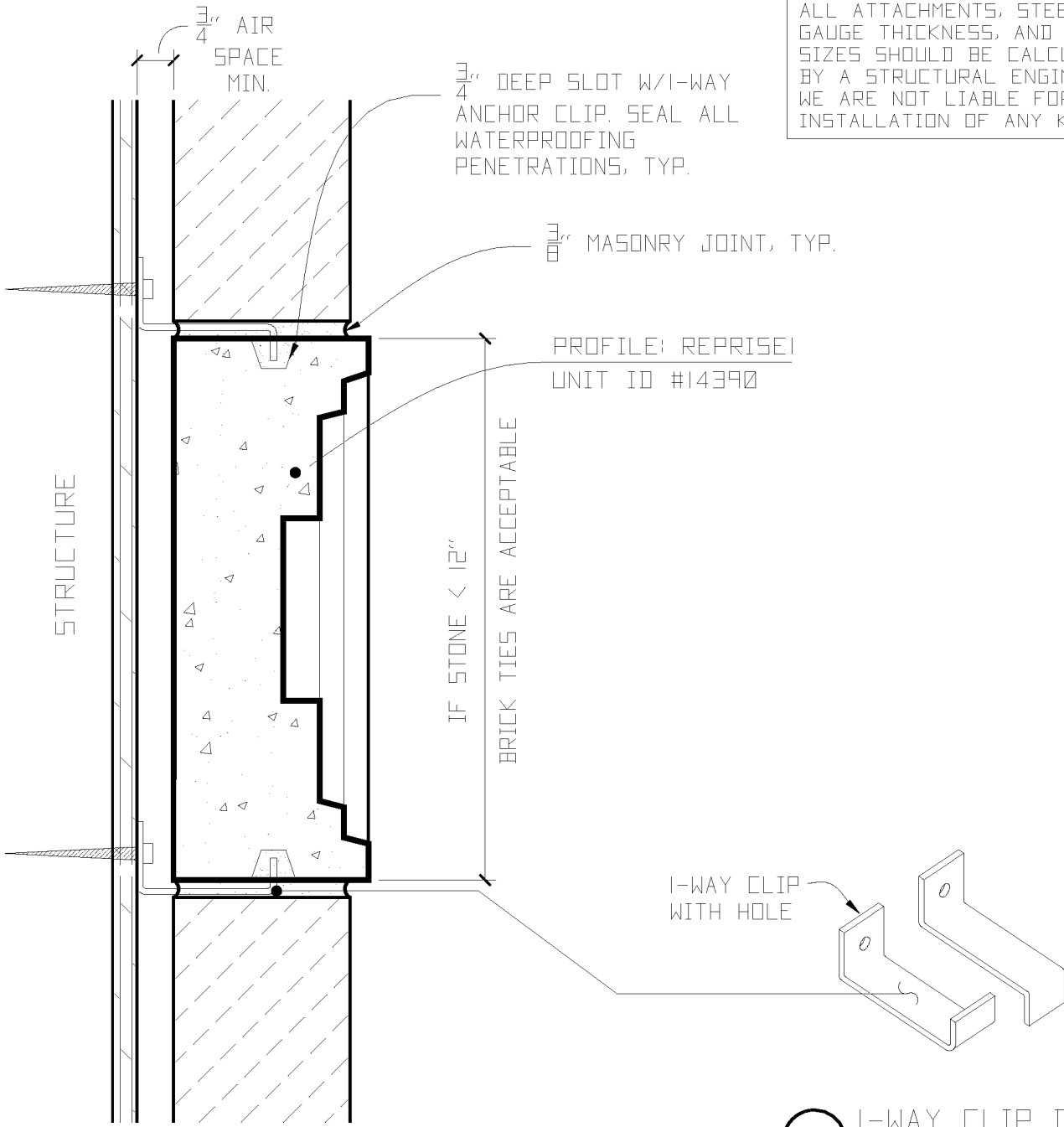
STONE LEGENDS

301 Pleasant Drive - Dallas, TX 75217
Voice (214) 398-0999 - Fax (214) 398-1293
Visit our website at www.stonelegends.com

CLIENT:

PROJECT:

THESE DRAWINGS ARE SUGGESTED
INSTALLATION DETAILS ONLY;
ALL ATTACHMENTS, STEEL SIZES,
GAUGE THICKNESS, AND ANCHOR
SIZES SHOULD BE CALCULATED
BY A STRUCTURAL ENGINEER;
WE ARE NOT LIABLE FOR
INSTALLATION OF ANY KIND



2 I-WAY CLIP DTL.
GALVANIZED OR BETTER

1 CAST STONE ADDRESS BLOCK ATTACHMENT AT MASONRY VENEER
WITH I-WAY CLIP ANCHOR

STD 3/8" MORTAR JOINT

SCALE: N.T.S.

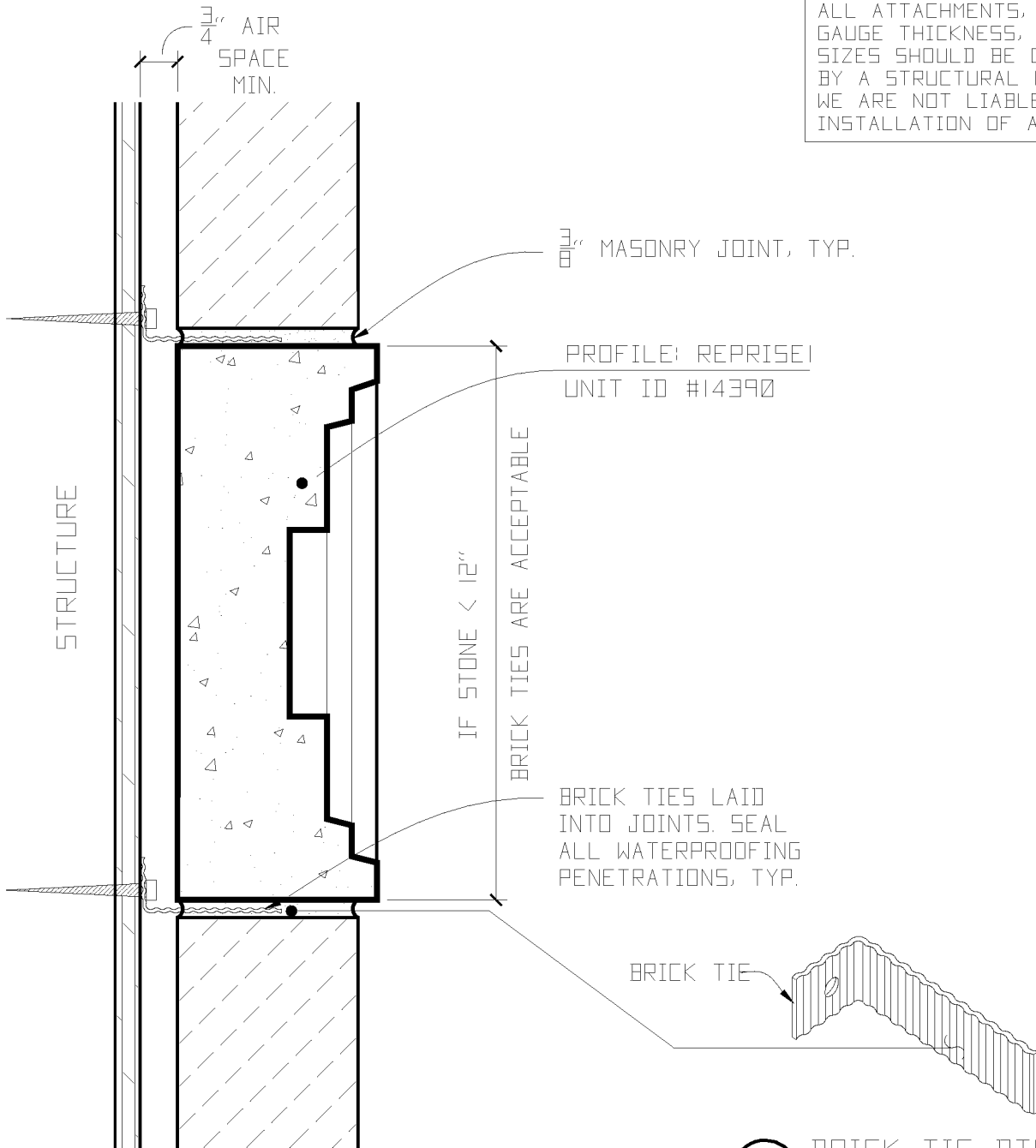
STONE LEGENDS

301 Pleasant Drive - Dallas, TX 75217
Voice (214) 398-0999 - Fax (214) 398-1293
Visit our website at www.stonelegends.com

CLIENT:

PROJECT:

THESE DRAWINGS ARE SUGGESTED
INSTALLATION DETAILS ONLY;
ALL ATTACHMENTS, STEEL SIZES,
GAUGE THICKNESS, AND ANCHOR
SIZES SHOULD BE CALCULATED
BY A STRUCTURAL ENGINEER;
WE ARE NOT LIABLE FOR
INSTALLATION OF ANY KIND



2 BRICK TIE DTL.
GALVANIZED OR BETTER

1 CAST STONE ADDRESS BLOCK ATTACHMENT AT MASONRY VENEER
WITH BRICK TIE

STD 3/8" MORTAR JOINT

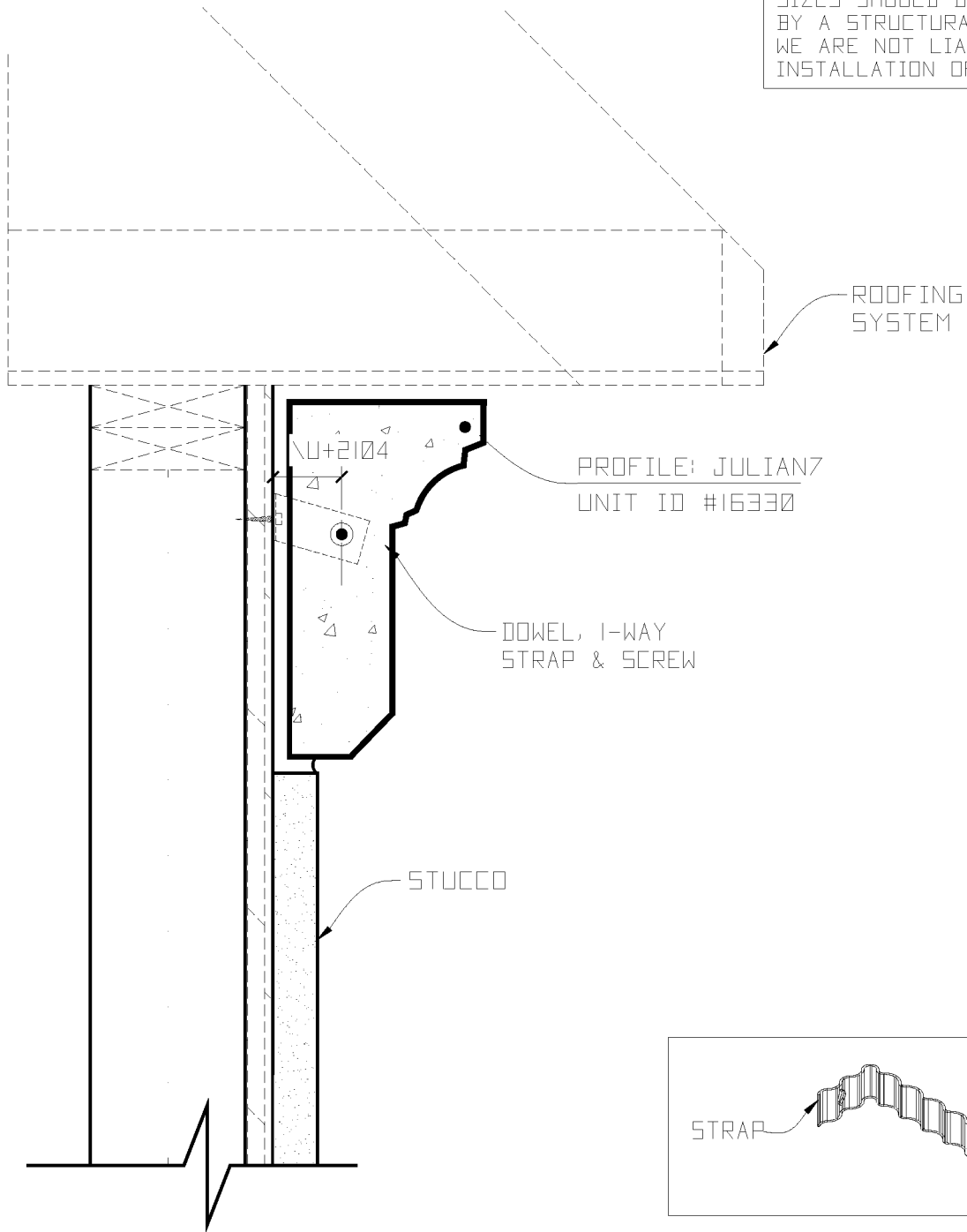
SCALE: N.T.S.

STONE LEGENDS

301 Pleasant Drive - Dallas, TX 75217
Voice (214) 398-0999 - Fax (214) 398-1293
Visit our website at www.stonelegends.com

CLIENT:
PROJECT:

THESE DRAWINGS ARE SUGGESTED
INSTALLATION DETAILS ONLY;
ALL ATTACHMENTS, STEEL SIZES,
GAUGE THICKNESS, AND ANCHOR
SIZES SHOULD BE CALCULATED
BY A STRUCTURAL ENGINEER;
WE ARE NOT LIABLE FOR
INSTALLATION OF ANY KIND



1 CORNICE WITH BRICK DETAIL
WITH I-WAY STRAP

2 STRAP & DOWEL DETAIL
WITH I-WAY STRAP
W/DOWEL PIN

STD 3/8" MORTAR JOINT

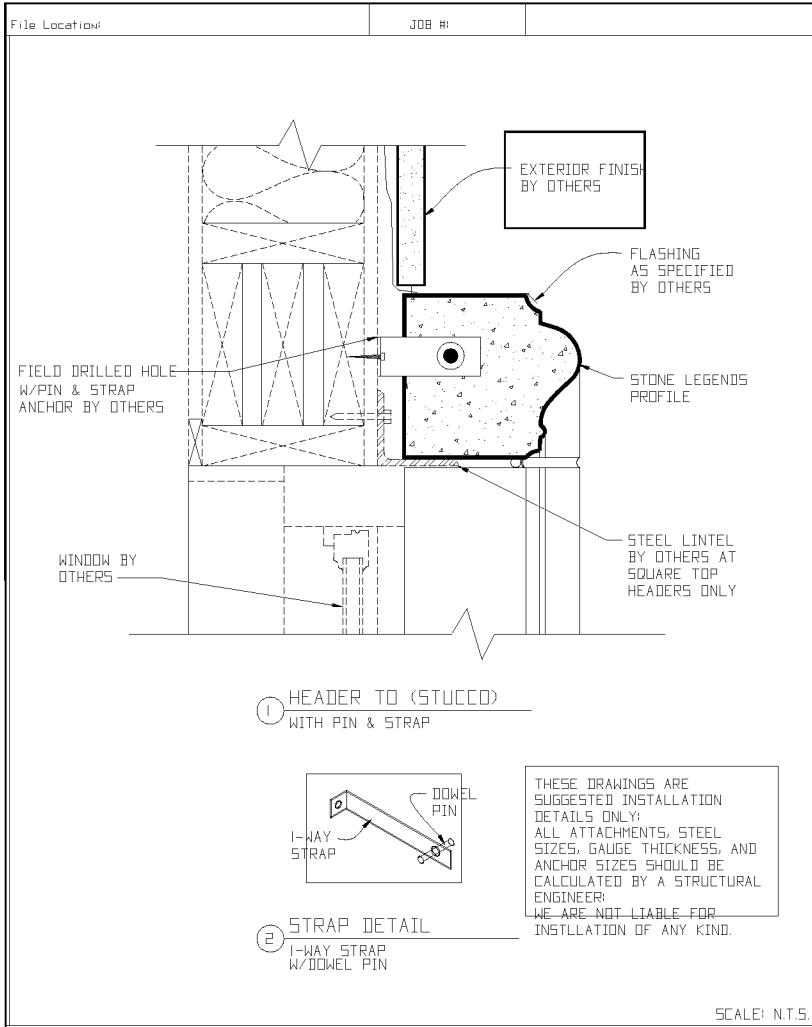
SCALE: N.T.S.

STONE LEGENDS

301 Pleasant Drive - Dallas, TX 75217
Voice (214) 398-0999 - Fax (214) 398-1293
Visit our website at www.stonelegends.com

CLIENT:

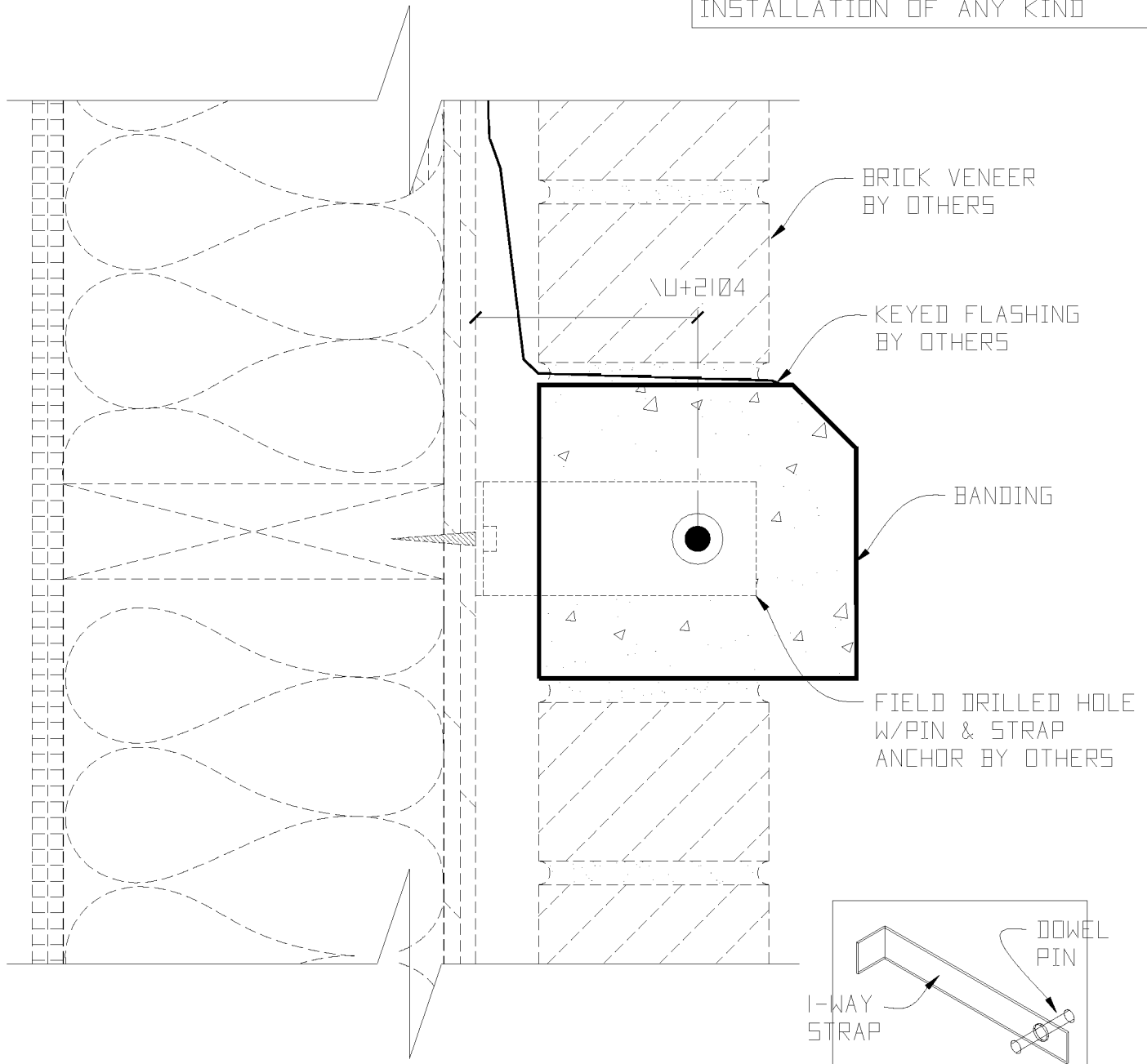
PROJECT:



STONE LEGENDS

301 Pleasant Drive - Dallas, TX 75217 Voice (214) 398-0999 - Fax (214) 398-1293 Visit our website at www.stonelegends.com	CLIENT: _____ PROJECT: _____
---	---------------------------------

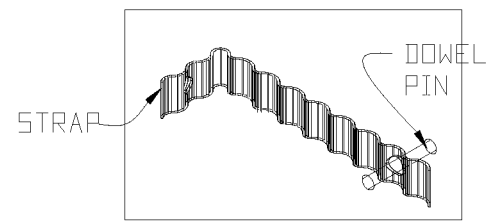
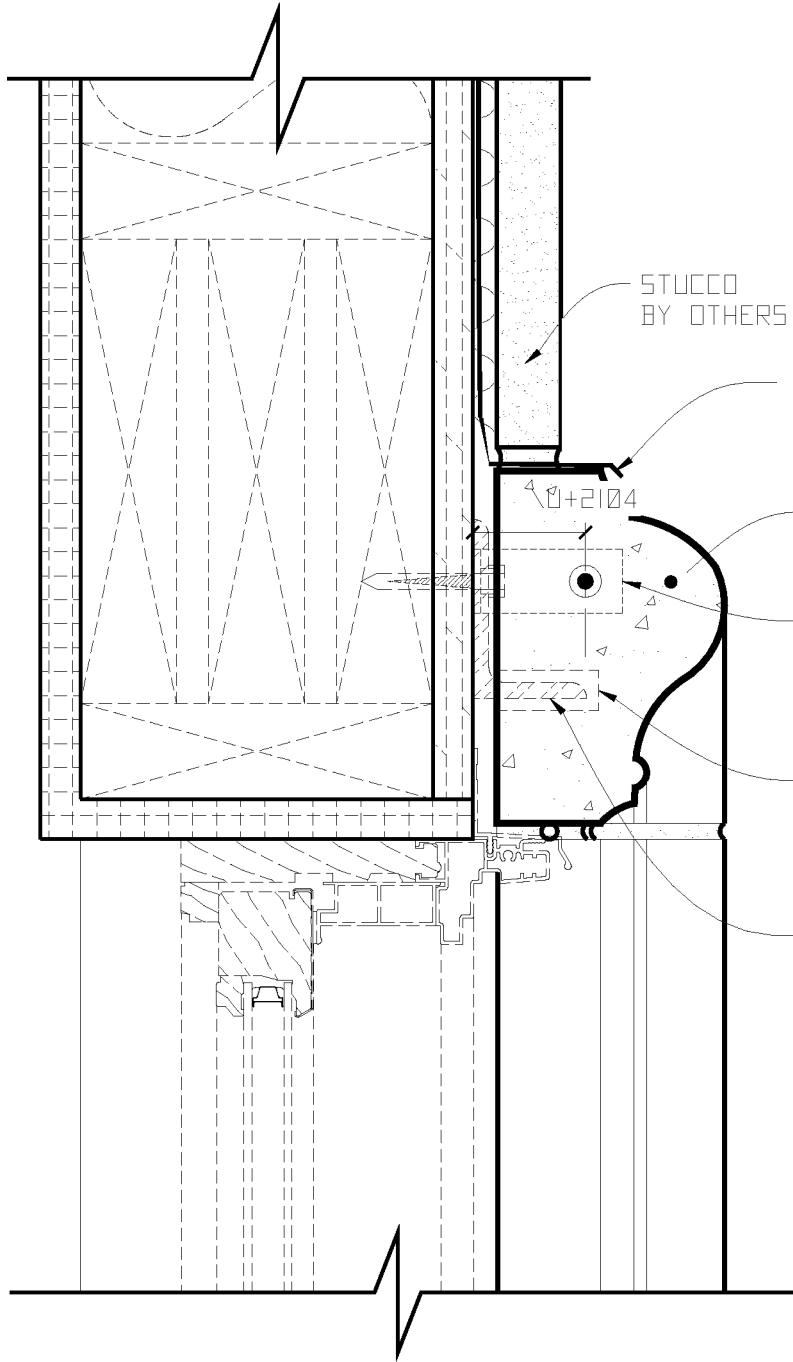
THESE DRAWINGS ARE SUGGESTED
 INSTALLATION DETAILS ONLY;
 ALL ATTACHMENTS, STEEL SIZES,
 GAUGE THICKNESS, AND ANCHOR
 SIZES SHOULD BE CALCULATED
 BY A STRUCTURAL ENGINEER;
 WE ARE NOT LIABLE FOR
 INSTALLATION OF ANY KIND



① Wall Section @ Banding
 WITH I-WAY STRAP

② STRAP DETAIL
 I-WAY STRAP
 W/DOWEL PIN

THESE DRAWINGS ARE SUGGESTED
INSTALLATION DETAILS ONLY;
ALL ATTACHMENTS, STEEL SIZES,
GAUGE THICKNESS, AND ANCHOR
SIZES SHOULD BE CALCULATED
BY A STRUCTURAL ENGINEER;
WE ARE NOT LIABLE FOR
INSTALLATION OF ANY KIND



1 ATTACHMENT OF HEADER TO STUCCO
WITH STRAP & DOWEL PIN AND RELIEF ANGLE

2 STRAP & DOWEL DETAIL
GALVANIZED OR BETTER

TYPICAL USES:
DOOR & WINDOW HEADER

STD 3/8" MORTAR JOINT

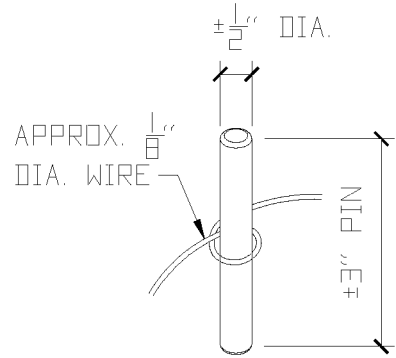
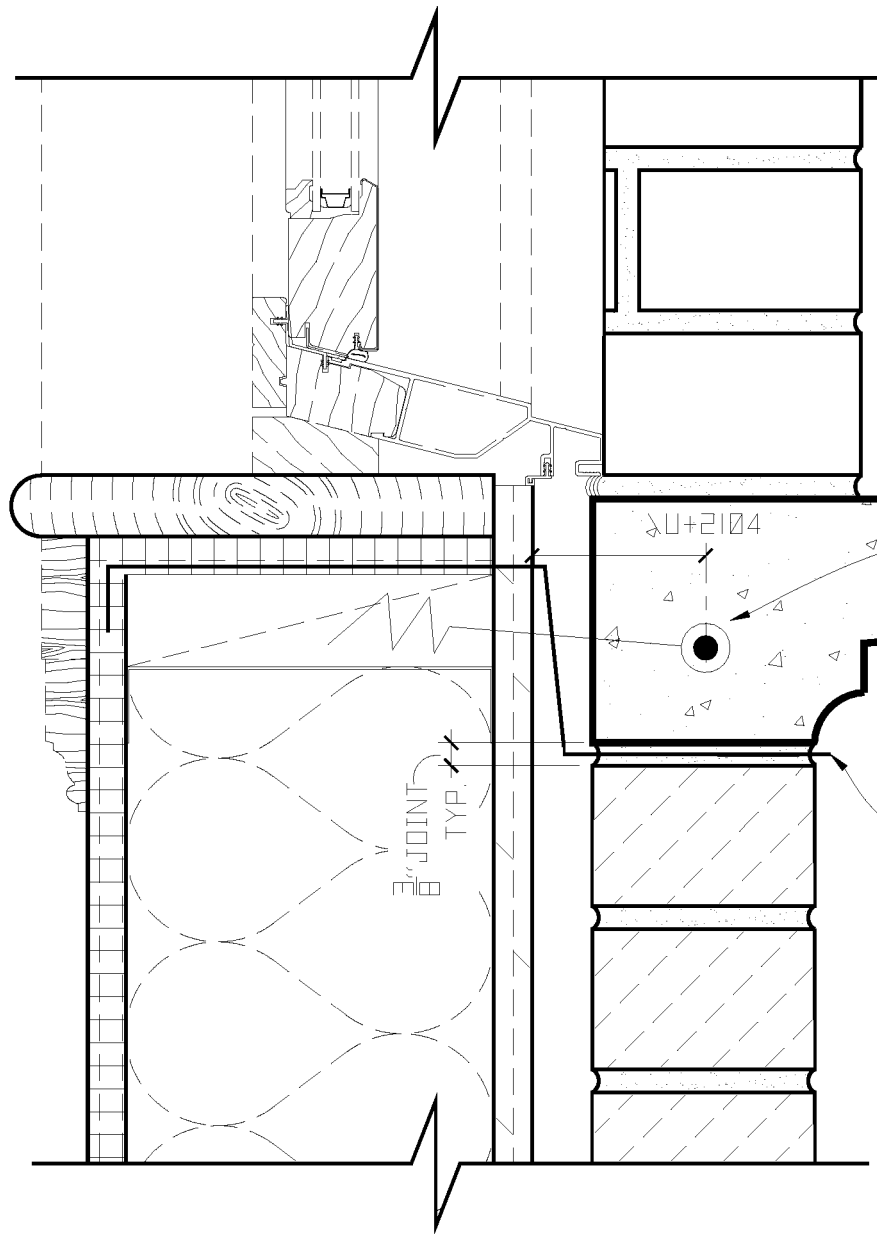
SCALE: N.T.S.

STONE LEGENDS

301 Pleasant Drive - Dallas, TX 75217
Voice (214) 398-0999 - Fax (214) 398-1293
Visit our website at www.stonelegends.com

CLIENT:
PROJECT:

THESE DRAWINGS ARE SUGGESTED
INSTALLATION DETAILS ONLY;
ALL ATTACHMENTS, STEEL SIZES,
GAUGE THICKNESS, AND ANCHOR
SIZES SHOULD BE CALCULATED
BY A STRUCTURAL ENGINEER;
WE ARE NOT LIABLE FOR
INSTALLATION OF ANY KIND



2 PIN & WIRE TIE DETAIL
GALVANIZED OR BETTER

FIELD DRILLED HOLE
WITH PIN AND
WIRE TIE ANCHOR
BY OTHERS
SEAL ALL FLASHING
PENETRATIONS

FLASHING
BY OTHERS

1 TYPICAL CAST STONE SILL DETAIL TO
WITH PIN & WIRE BRICK

STD 3/8" MORTAR JOINT

SCALE: N.T.S.

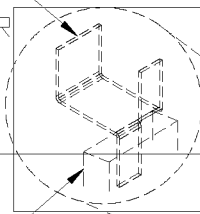
STONE LEGENDS

301 Pleasant Drive - Dallas, TX 75217
Voice (214) 398-0999 - Fax (214) 398-1293
Visit our website at www.stonelegends.com

CLIENT:

PROJECT:

2-WAY ANCHOR



FIELD SLOT CAST STONE

2-WAY CLIP ANCHOR
DETAIL

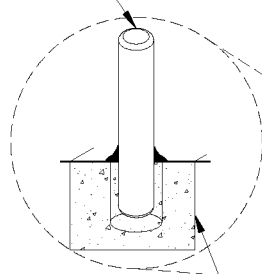
12" O.C.

GALVANIZED 2-WAY CLIPS
BY OTHERS
FIELD-NOTCHING REQUIRED
SCREW BACK TO STUD

WOOD STRUCTURE
BY OTHERS

STONE
VENEER
PANEL

DOWEL



FIELD DRILLED
HOLE IN CAST STONE

STONE
WATERTABLE

CONCRETE FOUNDATION
STRUCTURE BY OTHERS

DOWEL
DETAIL

GALVANIZED PINS
FIELD-DRILLING REQUIRED.

FLASHING, SEE
AIA STANDARDS

1 ATTACHMENT OF VENEER PANEL & WATERTABLE TO WOOD STRUCTURE
WITH DOWEL & 2-WAY CLIP

STD 3/8" MORTAR JOINT

SCALE: N.T.S.

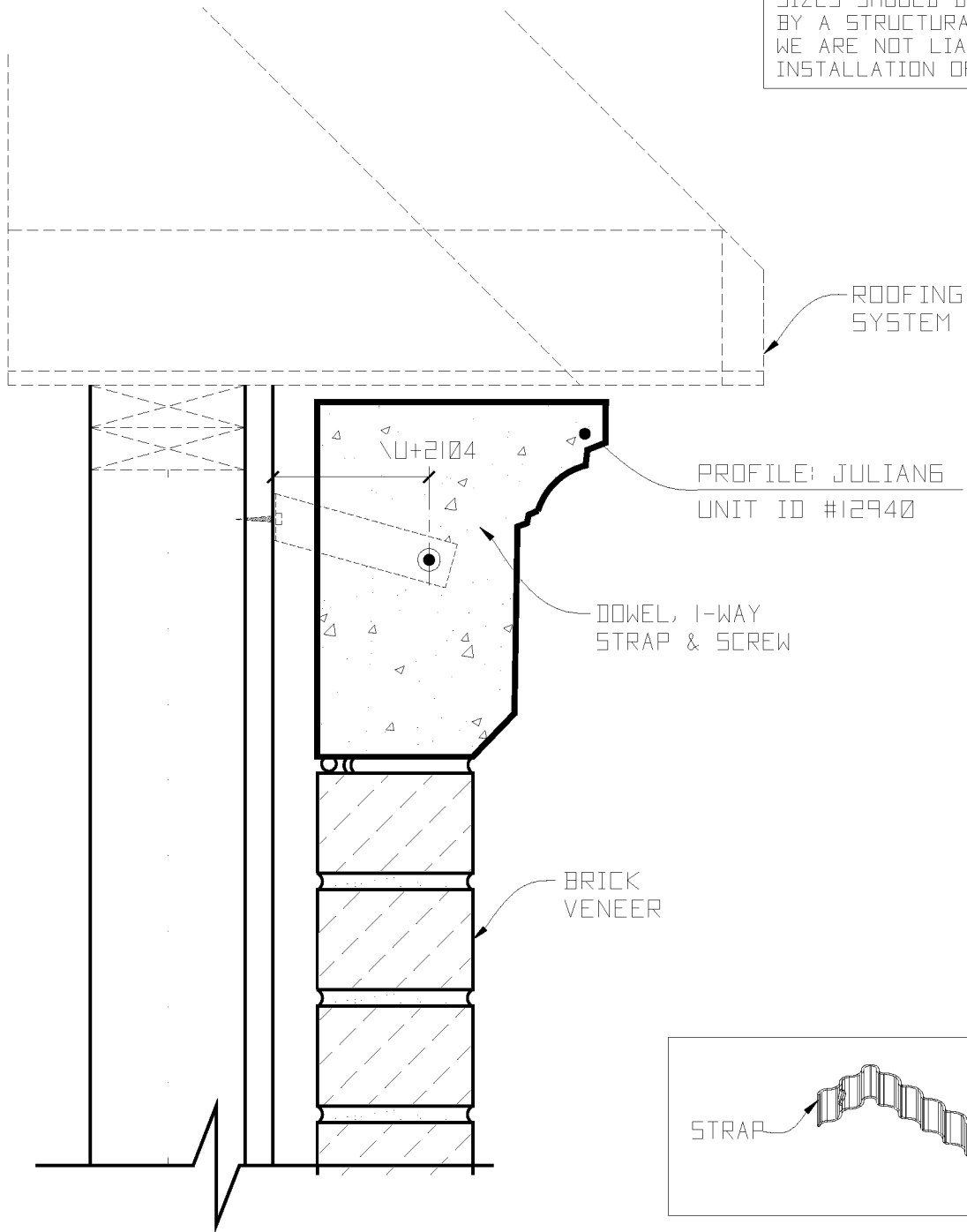
STONE LEGENDS

301 Pleasant Drive - Dallas, TX 75217
Voice (214) 398-0999 - Fax (214) 398-1293
Visit our website at www.stonelegends.com

CLIENT:

PROJECT:

THESE DRAWINGS ARE SUGGESTED
INSTALLATION DETAILS ONLY;
ALL ATTACHMENTS, STEEL SIZES,
GAUGE THICKNESS, AND ANCHOR
SIZES SHOULD BE CALCULATED
BY A STRUCTURAL ENGINEER;
WE ARE NOT LIABLE FOR
INSTALLATION OF ANY KIND



1 CORNICE WITH BRICK DETAIL
WITH I-WAY STRAP

2 STRAP & DOWEL DETAIL
WITH I-WAY STRAP
W/DOWEL PIN

STD 3/8" MORTAR JOINT

SCALE: N.T.S.

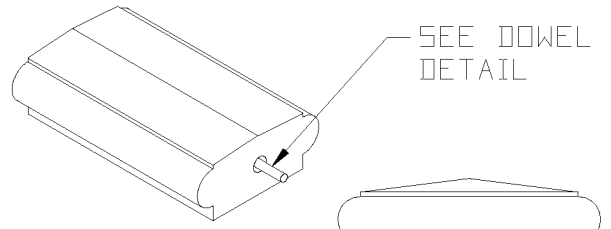
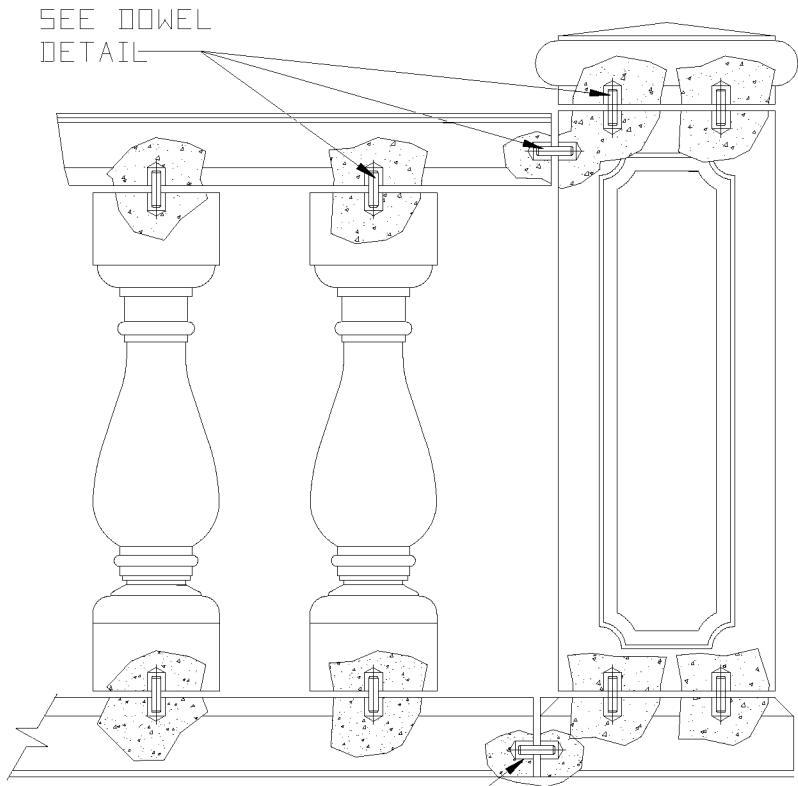
STONE LEGENDS

301 Pleasant Drive - Dallas, TX 75217
Voice (214) 398-0999 - Fax (214) 398-1293
Visit our website at www.stonelegends.com

CLIENT:

PROJECT:

NOTE:
 BASE RAIL TO BE CUT 1" SHORTER THAN
 HANDRAIL @ NEWEL BASE INTERSECTION



HANDRAIL
ISO VIEW

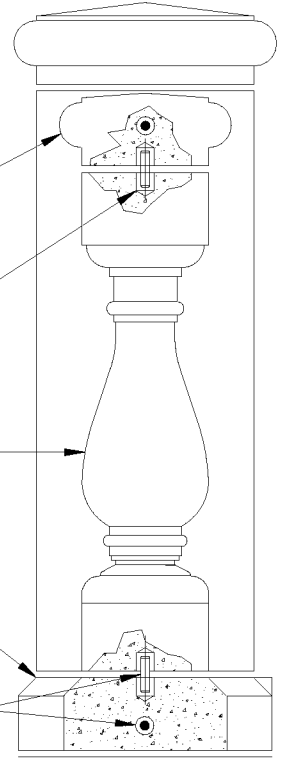
HANDRAIL

SEE DOWEL
 DETAIL

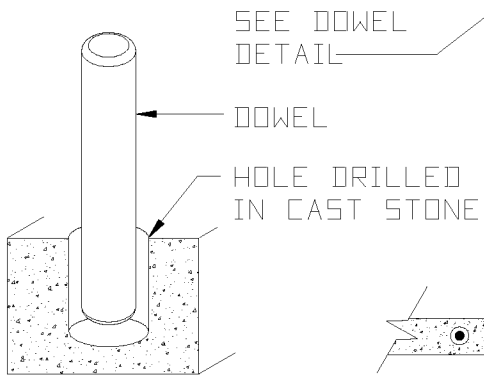
BALUSTER

BASERAIL

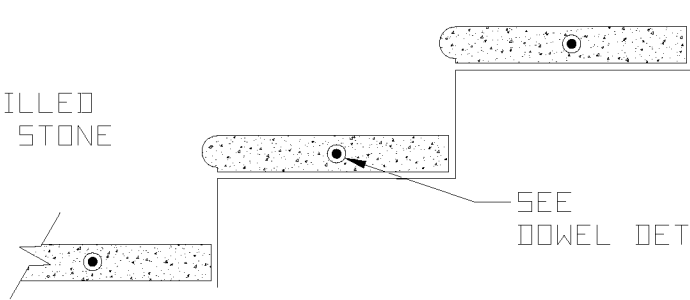
SEE DOWEL
 DETAIL



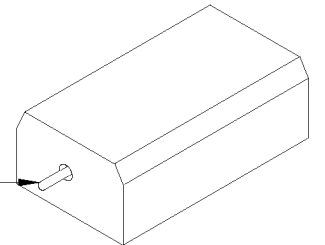
CROSS SECTION
THROUGH BALUSTRADE



DOWEL
DETAIL

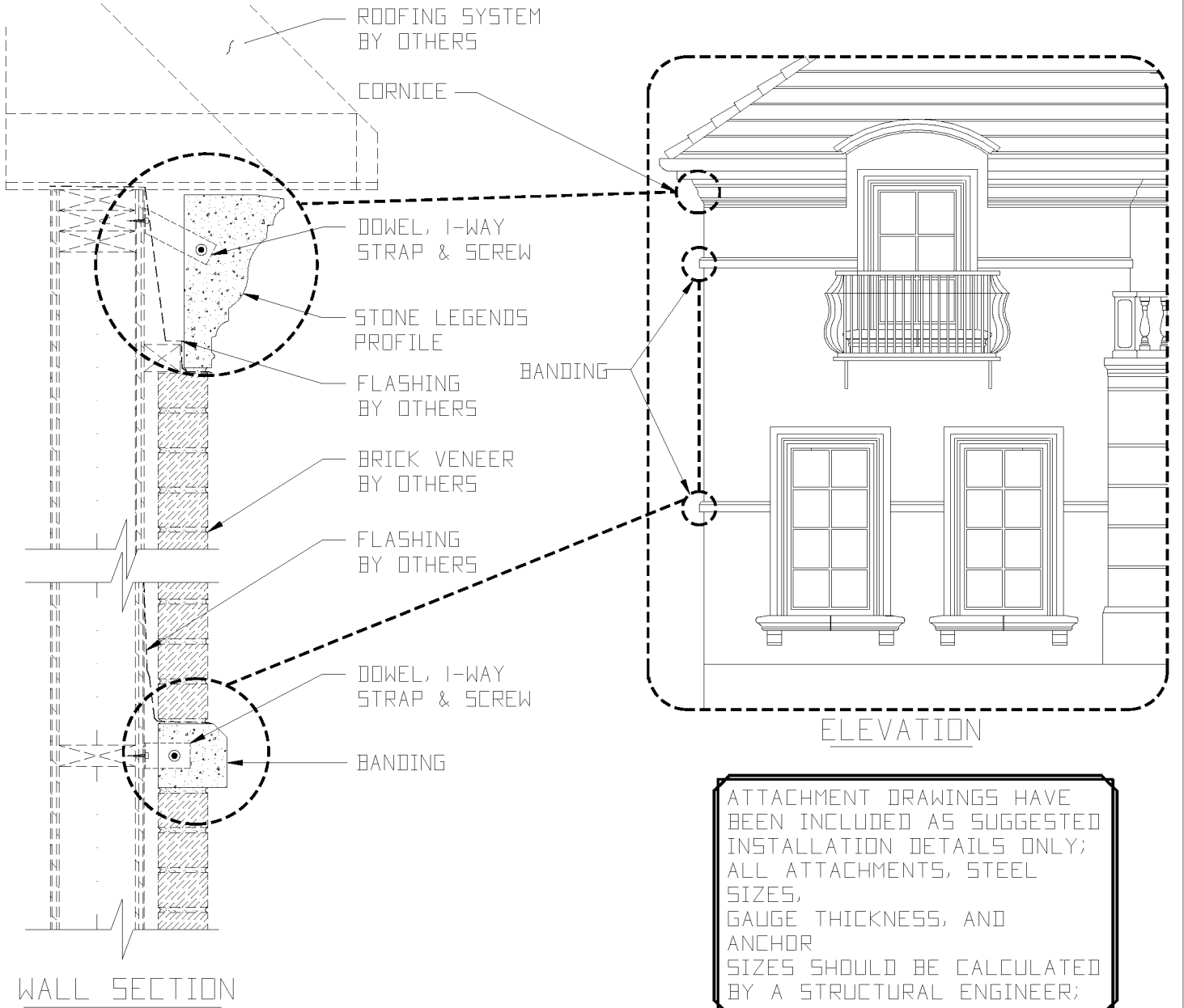


CROSS SECTION
THROUGH STEPS



BASERAIL
ISO VIEW

① INTERFACE OF BALUSTRADE, NEWEL PIER, & STEPS
WITH DOWELS



ATTACHMENT DRAWINGS HAVE BEEN INCLUDED AS SUGGESTED INSTALLATION DETAILS ONLY; ALL ATTACHMENTS, STEEL SIZES, GAUGE THICKNESS, AND ANCHOR SIZES SHOULD BE CALCULATED BY A STRUCTURAL ENGINEER; STONE LEGENDS IS NOT

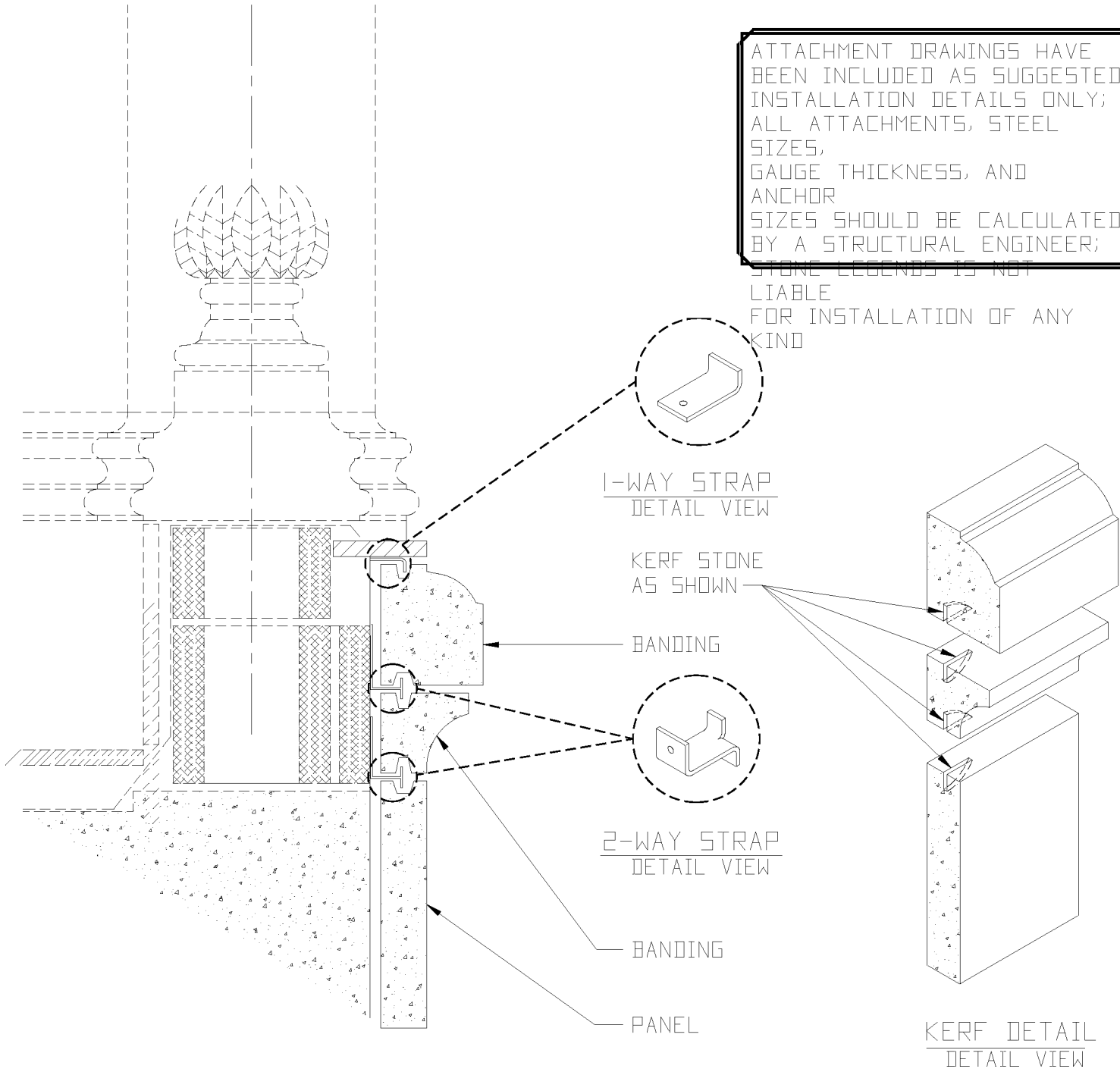
LIABLE FOR INSTALLATION OF ANY KIND

① ATTACHMENT OF BANDING AND CORNICE TO WOOD STRUCTURE WITH FLASHING & DOWEL & I-WAY STRAP & SCREW

N.T.S.

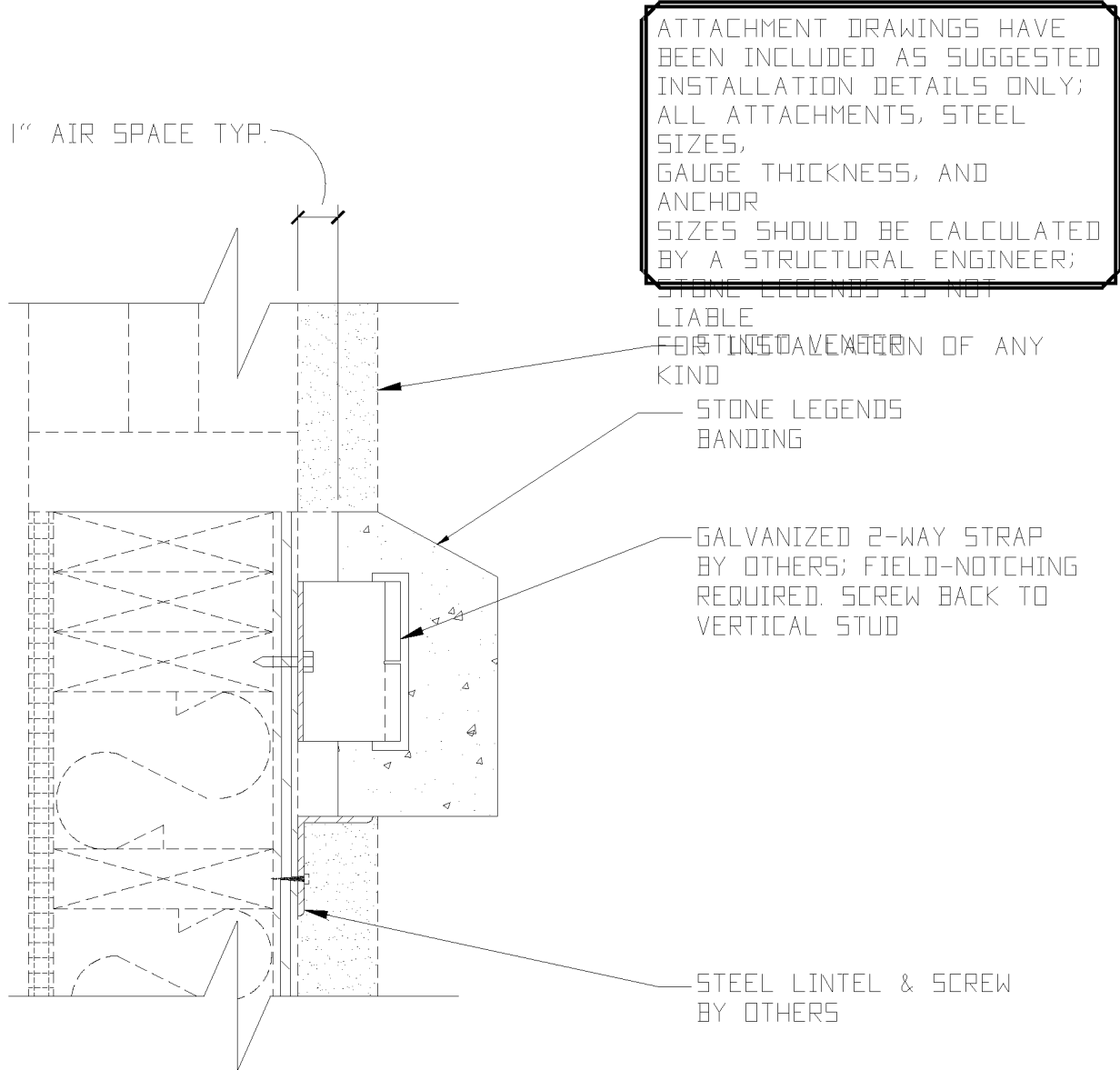
ATTACHMENT DRAWINGS HAVE BEEN INCLUDED AS SUGGESTED INSTALLATION DETAILS ONLY; ALL ATTACHMENTS, STEEL SIZES, GAUGE THICKNESS, AND ANCHOR SIZES SHOULD BE CALCULATED BY A STRUCTURAL ENGINEER;

STONE LEGENDS IS NOT LIABLE FOR INSTALLATION OF ANY KIND



1 ATTACHMENT OF BANDING & PANELS TO MASONRY WITH 2-WAY STRAP & 1-WAY STRAP

N.T.S.

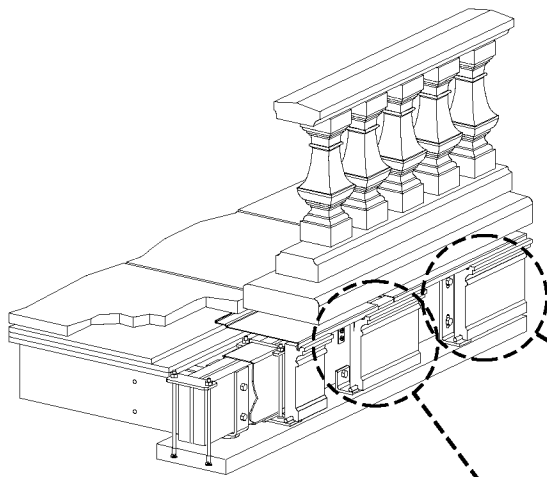


ATTACHMENT DRAWINGS HAVE BEEN INCLUDED AS SUGGESTED INSTALLATION DETAILS ONLY; ALL ATTACHMENTS, STEEL SIZES, GAUGE THICKNESS, AND ANCHOR SIZES SHOULD BE CALCULATED BY A STRUCTURAL ENGINEER; STONE LEGENDS IS NOT LIABLE FOR THE CONSEQUENCES OF ANY KIND

SUPPORT SYSTEMS PROVIDED BY OTHERS

① ATTACHMENT OF BANDING TO STUCCO
 GALVANIZED 2-WAY STRAP ANCHOR & STEEL LINTEL & SCREW

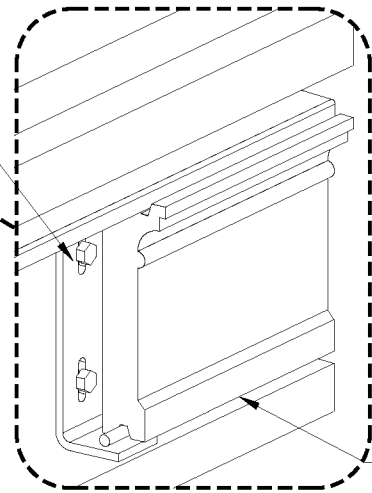
N.T.S.



ATTACHMENT DRAWINGS HAVE BEEN INCLUDED AS SUGGESTED INSTALLATION DETAILS ONLY; ALL ATTACHMENTS, STEEL SIZES, GAUGE THICKNESS, AND ANCHOR SIZES SHOULD BE CALCULATED BY A STRUCTURAL ENGINEER; STONE LEGENDS IS NOT

LIABLE FOR INSTALLATION OF ANY

STRAP WITH
SCREWS



BANDING

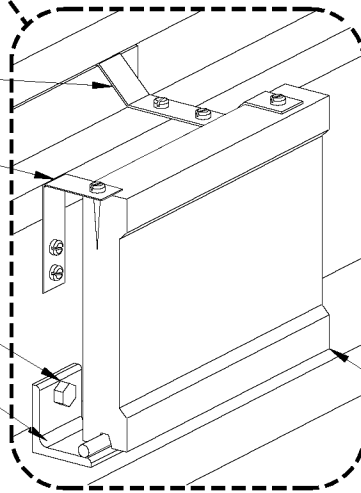
STRAP WITH
SCREWS

CLIP WITH SCREWS

LAG BOLT

ANGLE IRON LINTEL
W/WELDED ROD

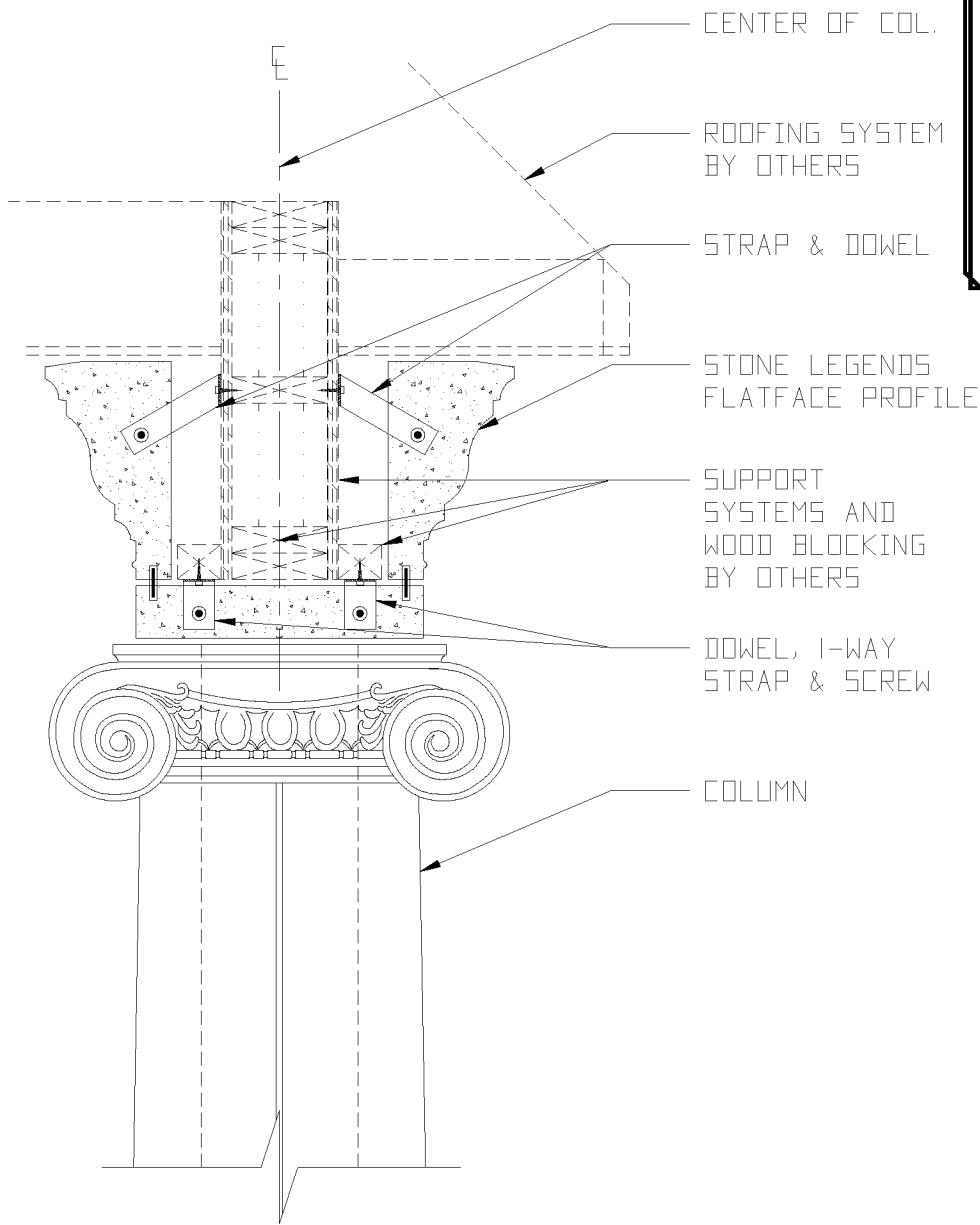
BANDING



1

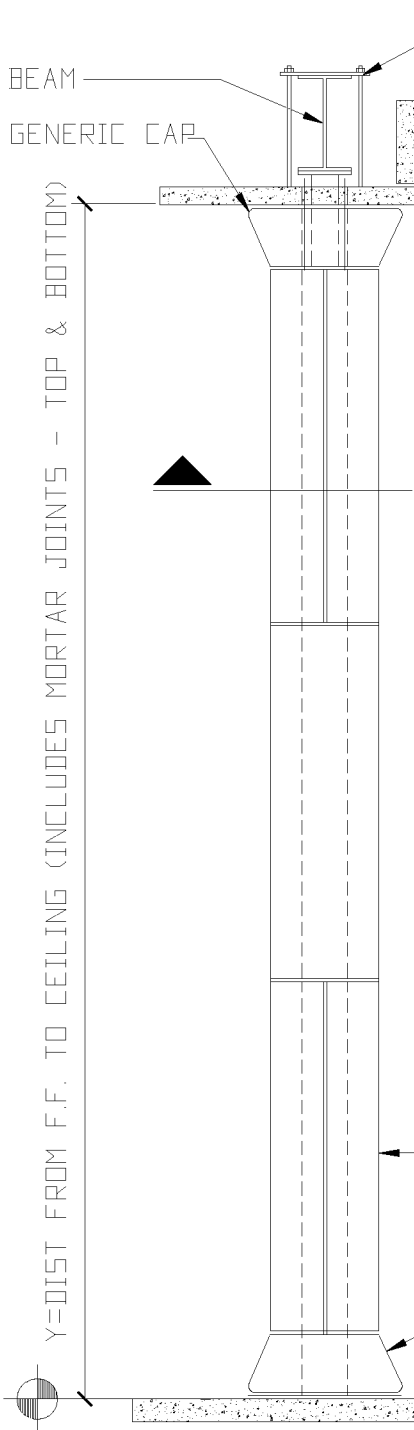
ATTACHMENT OF BANDING TO WOOD TYPE STRUCTURE WITH LINTEL & ROD & STRAP & SCREW & LAG BOLT

N.T.S.



ATTACHMENT DRAWINGS HAVE BEEN INCLUDED AS SUGGESTED INSTALLATION DETAILS ONLY; ALL ATTACHMENTS, STEEL SIZES, GAUGE THICKNESS, AND ANCHOR SIZES SHOULD BE CALCULATED BY A STRUCTURAL ENGINEER; STONE LEGENDS IS NOT LIABLE FOR INSTALLATION OF ANY KIND

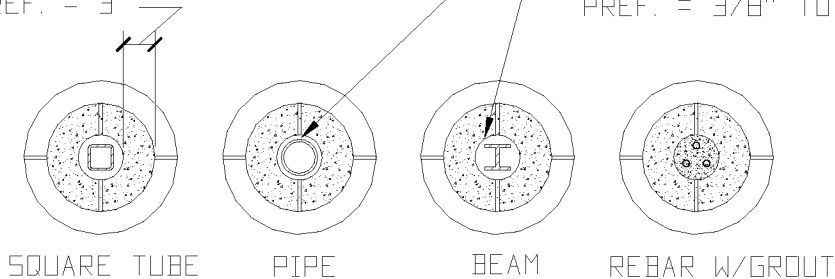
1 ATTACHMENT OF BANDING AND COLUMN TO A WOOD STRUCTURE WITH I-WAY STRAP & DOWEL N.T.S.



NOTE: TOP STRUCTURE IS CARRIED BY INNER COLUMN SEE DETAIL BELOW

MIN. STONE THICKNESS:
 REQ. = $2\frac{1}{2}$ "
 PEF. = 3"

MIN. CLEARANCE BETWEEN STONE & STEEL:
 REQ. = $\frac{1}{4}$ "
 PEF. = $\frac{3}{8}$ " TO $\frac{1}{2}$ "



SUGGESTED INNER COLUMN STRUCTURE
 W/VARIOUS REINFORCEMENTS

NOTE: THE REQUIREMENTS FOR ATTACHING STONE TO STRUCTURES, VARIES AMONG THE DIFFERENT STATES. A CERTIFIED ENGINEER THAT IS FAMILIAR WITH THE GEOLOGIC SEISMIC & CLIMATIC CONDITIONS OF YOUR AREA MUST DETERMINE THE BEST METHOD FOR ATTACHING THE STONE TO THE STRUCTURE. THE STONE SUPPLIER IS NOT RESPONSIBLE FOR PROVIDING INFORMATION ON ATTACHMENT METHODS AND CAN ONLY PROVIDE SUGGESTED ATTACHMENT METHODS. THESE SUGGESTED METHODS ARE WELL KNOWN AND HAVE BEEN USED THROUGHOUT THE INDUSTRY.

HOLLOW CAST STONE COLUMNS WERE NOT DESIGNED TO CARRY STRUCTURAL LOADS. THE LOAD MUST BE CARRIED BY AN INNER, (PREFERABLY STEEL) STRUCTURE. CONSULT A CERTIFIED ENGINEER THAT IS FAMILIAR WITH THE GEOLOGIC SEISMIC & CLIMATIC CONDITIONS OF YOUR AREA TO DETERMINE THE PROPER INNER STRUCTURE

CARE SHOULD BE TAKEN TO PREVENT THE INSIDE OF THE HOLLOW COLUMN TO TOUCH THE INNER STEEL STRUCTURE AS CONDENSATION ON THE STEEL CAN RUN DOWN THE COLUMN AND CAUSE RUST MARKS. IT IS ADVISABLE TO PAINT THE STEEL WITH A GOOD RUST PREVENTION PAINT. RE-BAR WITH A GROUT FILLING CAN BE USED IN CASES WHERE THE LOAD ON TOP OF THE COLUMN IS MINIMAL.

ATTACHMENT DRAWINGS HAVE BEEN INCLUDED AS SUGGESTED INSTALLATION DETAILS ONLY; ALL ATTACHMENTS, STEEL SIZES, GAUGE THICKNESS, AND ANCHOR SIZES SHOULD BE CALCULATED BY A STRUCTURAL ENGINEER; STONE LEGENDS IS NOT

LIABLE FOR INSTALLATION OF ANY KIND OF STEEL STRUCTURE

1 ATTACHMENT OF HOLLOW COLUMN TO INTERNAL USING BEAM, SQ. TUBE, PIPE, OR REBAR W/GROUT

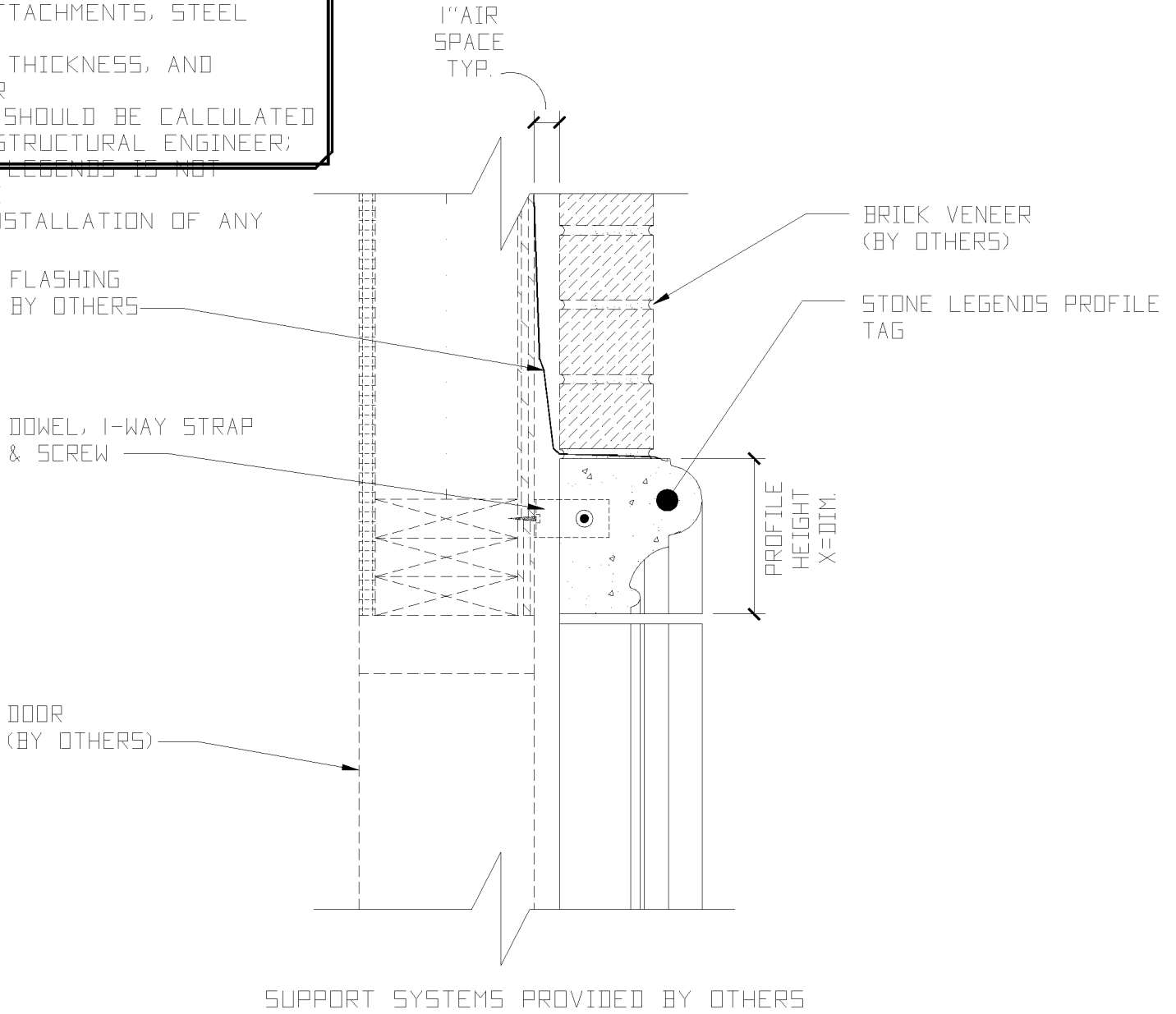
Interface & Attachment dev For Solid Enorm to Wood Tree Structure



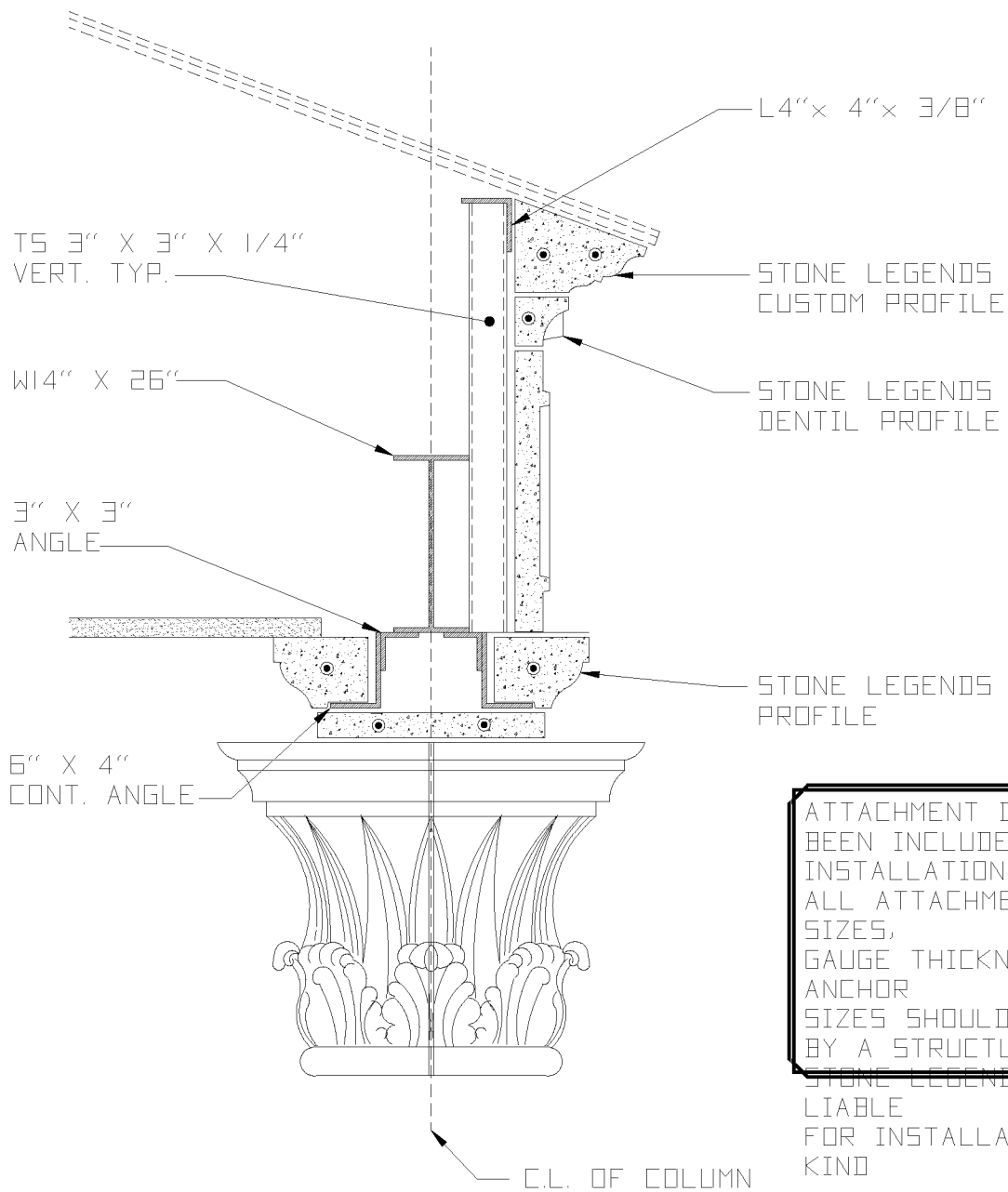
Note: The requirements for attaching wood to structures varies among the different States & certified installers that are familiar with the Building Science & Climatic conditions of your area that determine the best method for attaching the steel to the structure. We do not consider it our responsibility for providing information on attachment methods and can only provide suggested attachment methods. These suggested methods are still being used and have been used throughout the industry.

Exploded Assembly - Exploded View

ATTACHMENT DRAWINGS HAVE BEEN INCLUDED AS SUGGESTED INSTALLATION DETAILS ONLY; ALL ATTACHMENTS, STEEL SIZES, GAUGE THICKNESS, AND ANCHOR SIZES SHOULD BE CALCULATED BY A STRUCTURAL ENGINEER; STONE LEGENDS IS NOT LIABLE FOR INSTALLATION OF ANY KIND



① ATTACHMENT OF DOOR SURROUND TO WOOD STRUCTURE WITH FLASHING & DOWEL & I-WAY STRAP & SCREW N.T.S.

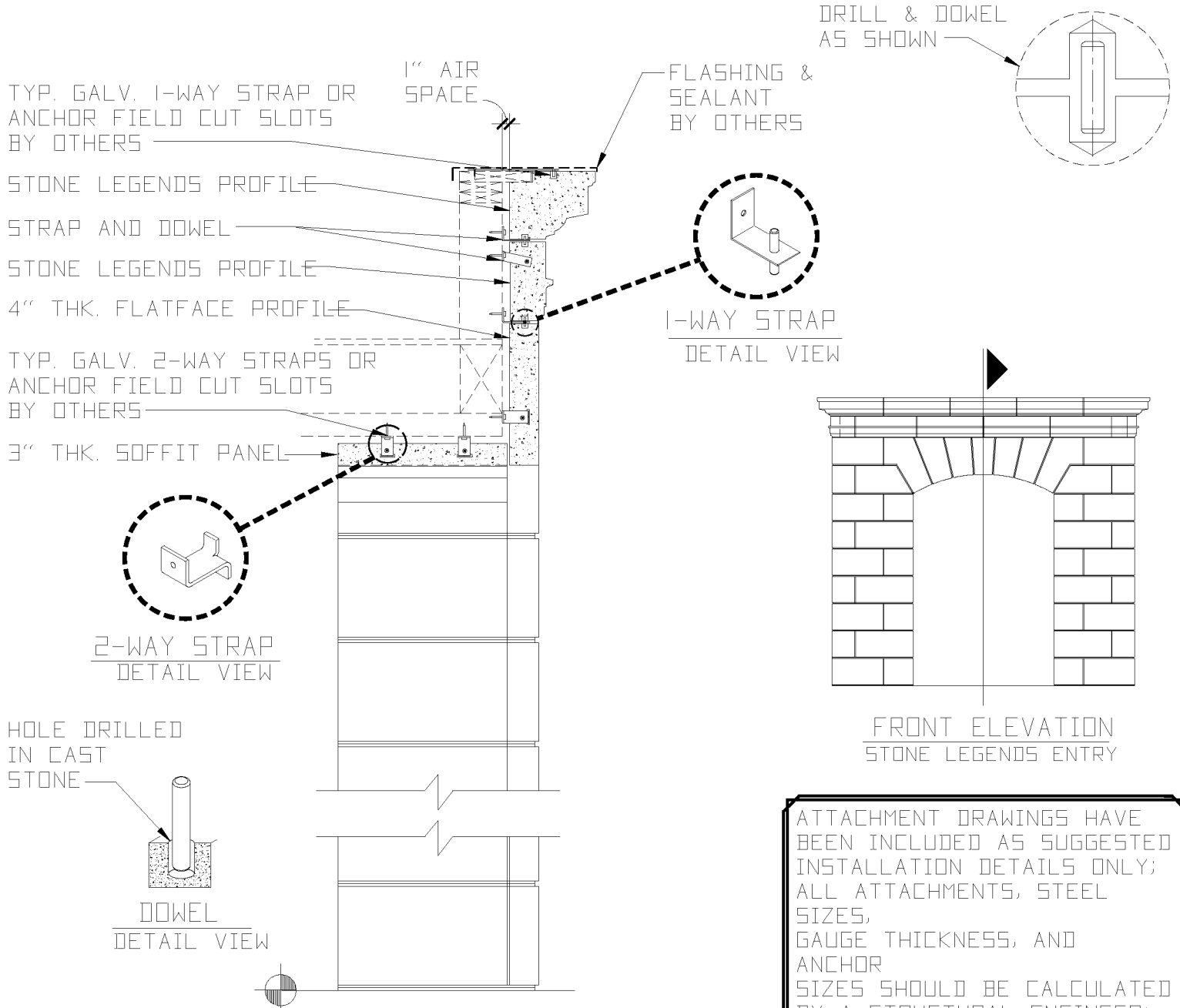


ATTACHMENT DRAWINGS HAVE
 BEEN INCLUDED AS SUGGESTED
 INSTALLATION DETAILS ONLY;
 ALL ATTACHMENTS, STEEL
 SIZES,
 GAUGE THICKNESS, AND
 ANCHOR
 SIZES SHOULD BE CALCULATED
 BY A STRUCTURAL ENGINEER;
 STONE LEGENDS IS NOT

LIABLE
 FOR INSTALLATION OF ANY
 KIND

1 ATTACHMENT OF ENTABLATURE & SOFFIT TO STRUCTURAL STEEL
 WITH LINTEL & STRAP & WIRE

N.T.S.

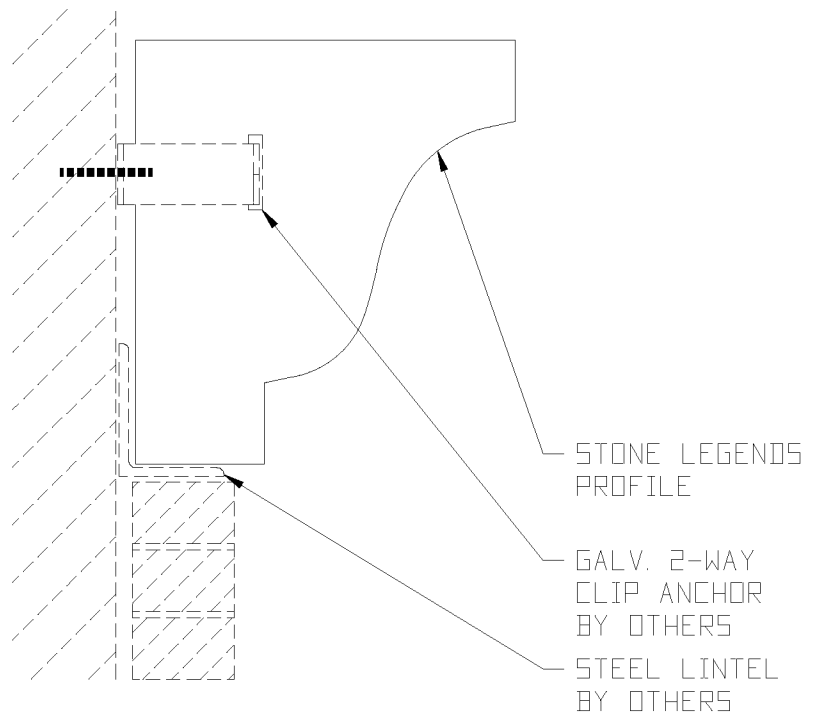


ATTACHMENT DRAWINGS HAVE BEEN INCLUDED AS SUGGESTED INSTALLATION DETAILS ONLY; ALL ATTACHMENTS, STEEL SIZES, GAUGE THICKNESS, AND ANCHOR SIZES SHOULD BE CALCULATED BY A STRUCTURAL ENGINEER; STONE LEGENDS IS NOT LIABLE FOR INSTALLATION OF ANY KIND

1 ENTABLATURE & SOFFIT TO WOOD WITH FLASHING & 2-WAY STRAPS & 1-WAY STRAP & DOWELS

N.T.S.

ATTACHMENT DRAWINGS HAVE BEEN INCLUDED AS SUGGESTED INSTALLATION DETAILS ONLY; ALL ATTACHMENTS, STEEL SIZES, GAUGE THICKNESS, AND ANCHOR SIZES SHOULD BE CALCULATED BY A STRUCTURAL ENGINEER; STONE LEGENDS IS NOT LIABLE FOR INSTALLATION OF ANY KIND



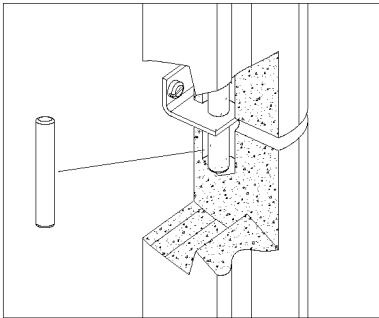
SUPPORT SYSTEMS PROVIDED BY OTHERS



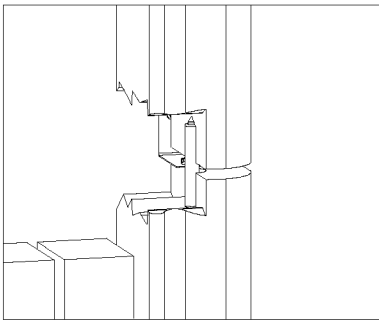
ATTACHMENT OF ENTABLATURE TO BRICK
WITH LINTEL AND 2-WAY STRAP

N.T.S.

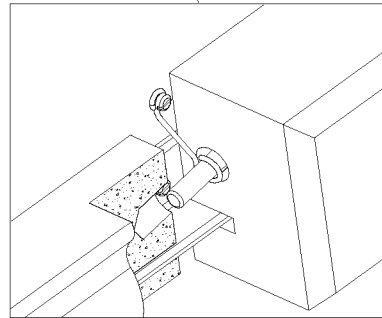
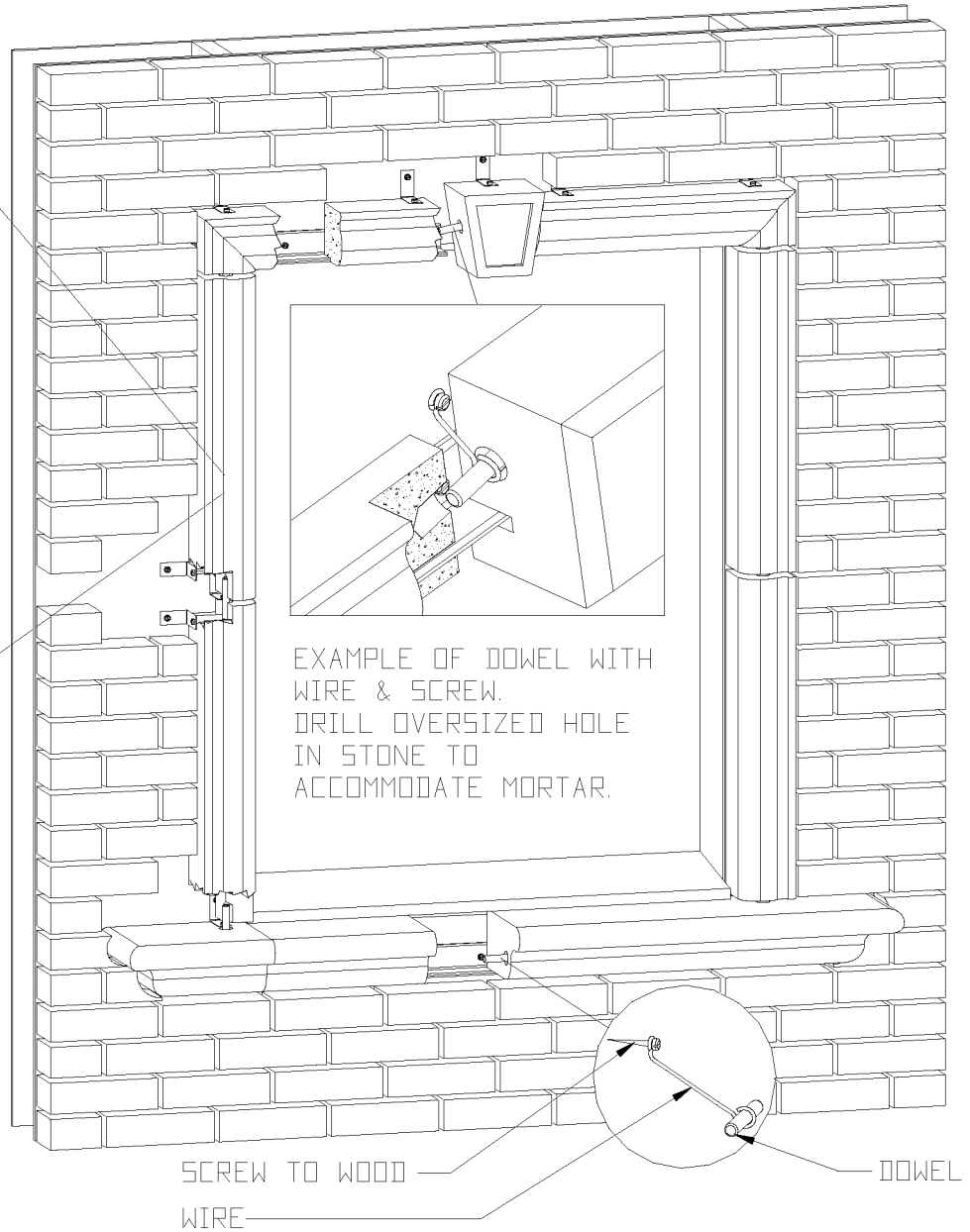
NOTE: THE REQUIREMENTS FOR ATTACHING STONE TO STRUCTURES, VARIES BETWEEN DIFFERENT STATES. A CERTIFIED ENGINEER MUST DETERMINE THE BEST METHOD FOR ATTACHING THE STONE TO THE STRUCTURE IN YOUR AREA. CSCS IS NOT RESPONSIBLE FOR PROVIDING INFORMATION ON HOW TO ATTACH STONE TO A STRUCTURE AND CAN ONLY PROVIDE INFORMATION AND SUGGESTED METHODS TO AID THE BUILDER/MASON TO ATTACH THE STONE. THESE SUGGESTED METHODS ARE WELL KNOWN AND HAVE BEEN USED THROUGHOUT THE INDUSTRY.



EXAMPLE OF DOWEL WITH CLIP SCREWED TO WOOD. STEEL DOWEL MEASURES APP. 1/2" DIA. X 3" LONG. DRILL OVERSIZED HOLE IN STONE TO ACCOMMODATE MORTAR.



EXAMPLE OF DOWEL. STEEL DOWEL MEASURES APP. 1/2" DIA. X 3" LONG. DRILL OVERSIZED HOLE IN STONE TO ACCOMMODATE MORTAR.

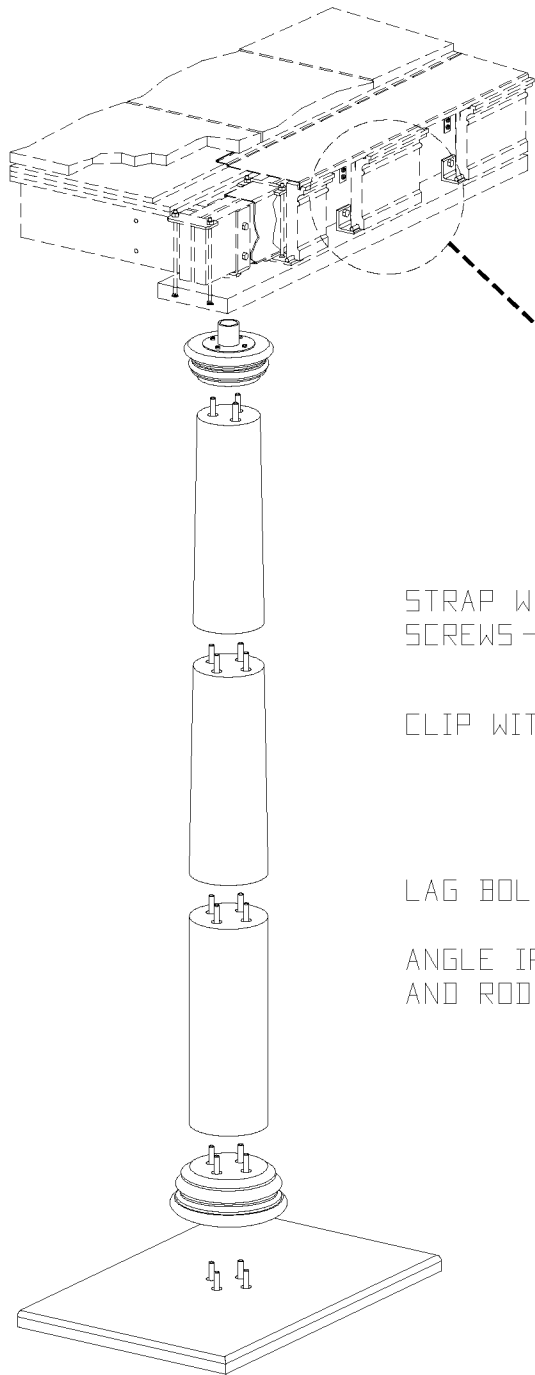


EXAMPLE OF DOWEL WITH WIRE & SCREW. DRILL OVERSIZED HOLE IN STONE TO ACCOMMODATE MORTAR.

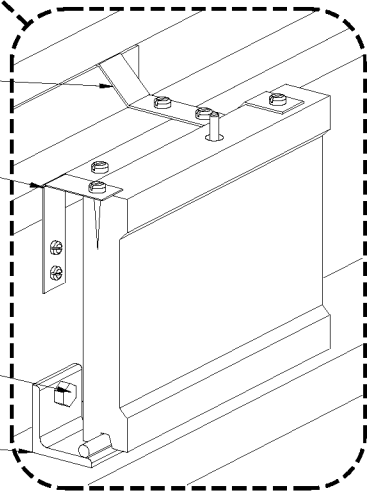
1

ATTACHMENT OF WINDOW SURROUND TO BRICK WITH DOWEL AND WIRE AND I-WAY STRAP

NOTE: THE REQUIREMENTS FOR ATTACHING STONE TO STRUCTURES, VARIES AMONG THE DIFFERENT STATES. A CERTIFIED ENGINEER THAT IS FAMILIAR WITH THE GEOLOGIC SEISMIC & CLIMATIC CONDITIONS OF YOUR AREA MUST DETERMINE THE BEST METHOD FOR ATTACHING THE STONE TO THE STRUCTURE. THE STONE SUPPLIER IS NOT RESPONSIBLE FOR PROVIDING INFORMATION ON ATTACHMENT METHODS AND CAN ONLY PROVIDE SUGGESTED ATTACHMENT METHODS. THESE SUGGESTED METHODS ARE WELL KNOWN AND HAVE BEEN USED THROUGHOUT THE INDUSTRY.

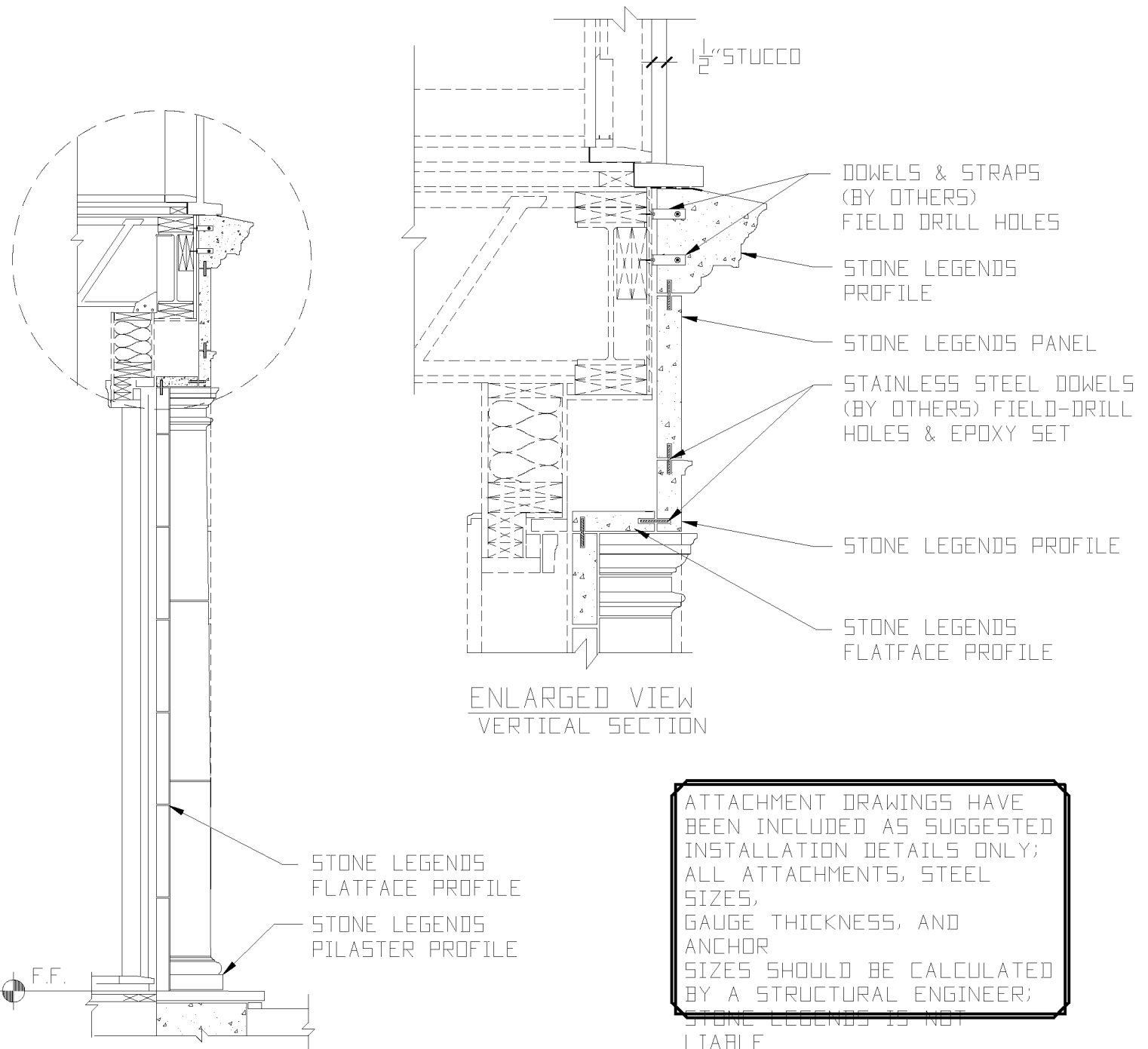


STRAP WITH SCREWS
 CLIP WITH SCREWS
 LAG BOLT
 ANGLE IRON AND ROD



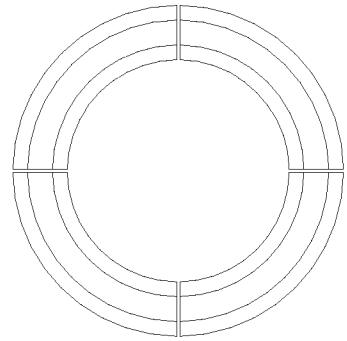
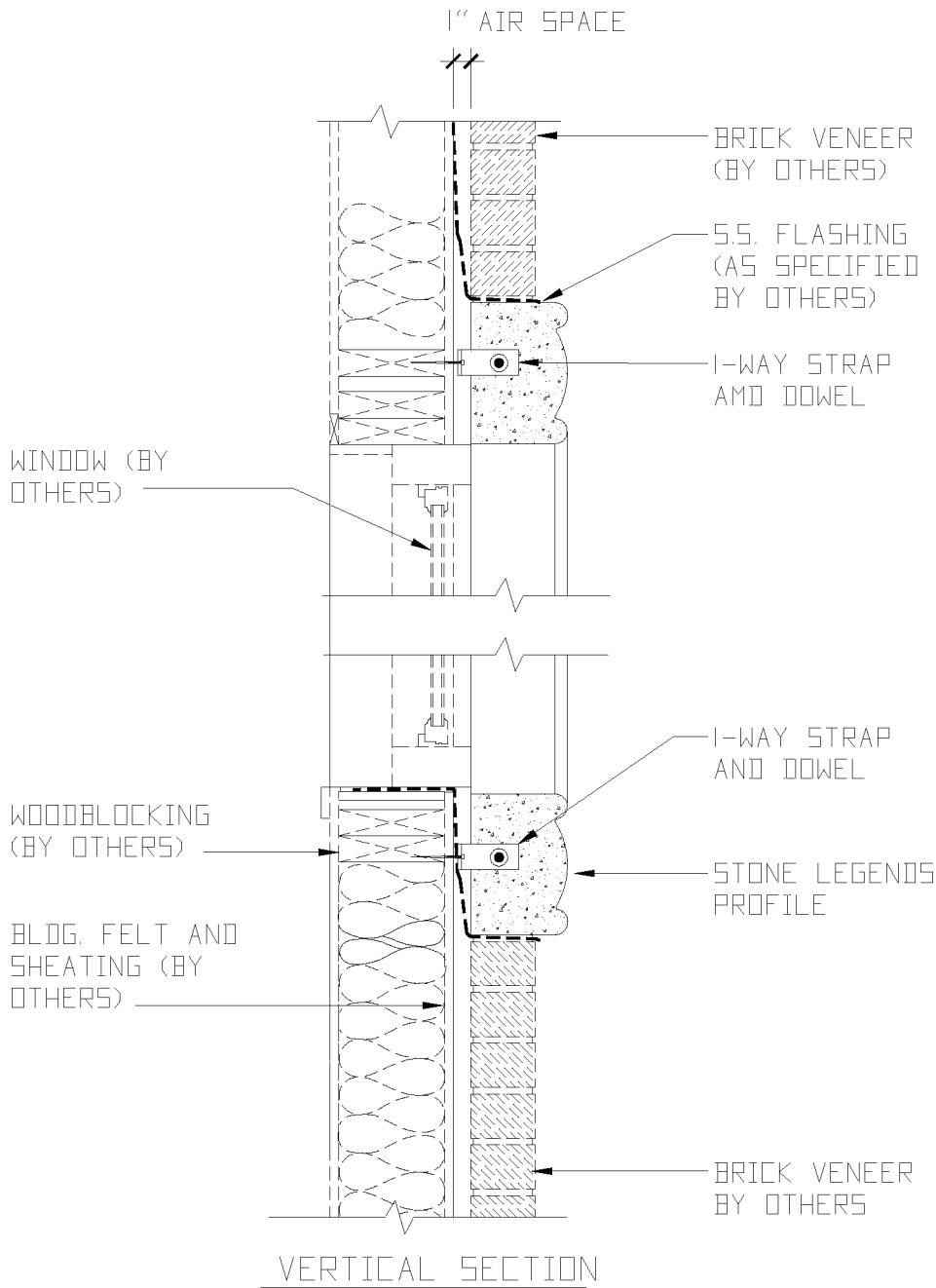
PROPOSED ATTACHMENT

1 ATTACHMENT OF ENTABLATURE TO WOOD STRUCTURE WITH STRAP AND SCREWS AND I-WAY CLIP AND ANGLE AND ROD AND LAG BOLT N.T.S.



① ATTACHMENT OF ENTABLATURE TO WOOD STRUCTURE WITH DOWELS & STRAPS

N.T.S.



FRONT VIEW
WINDOW SURROUND

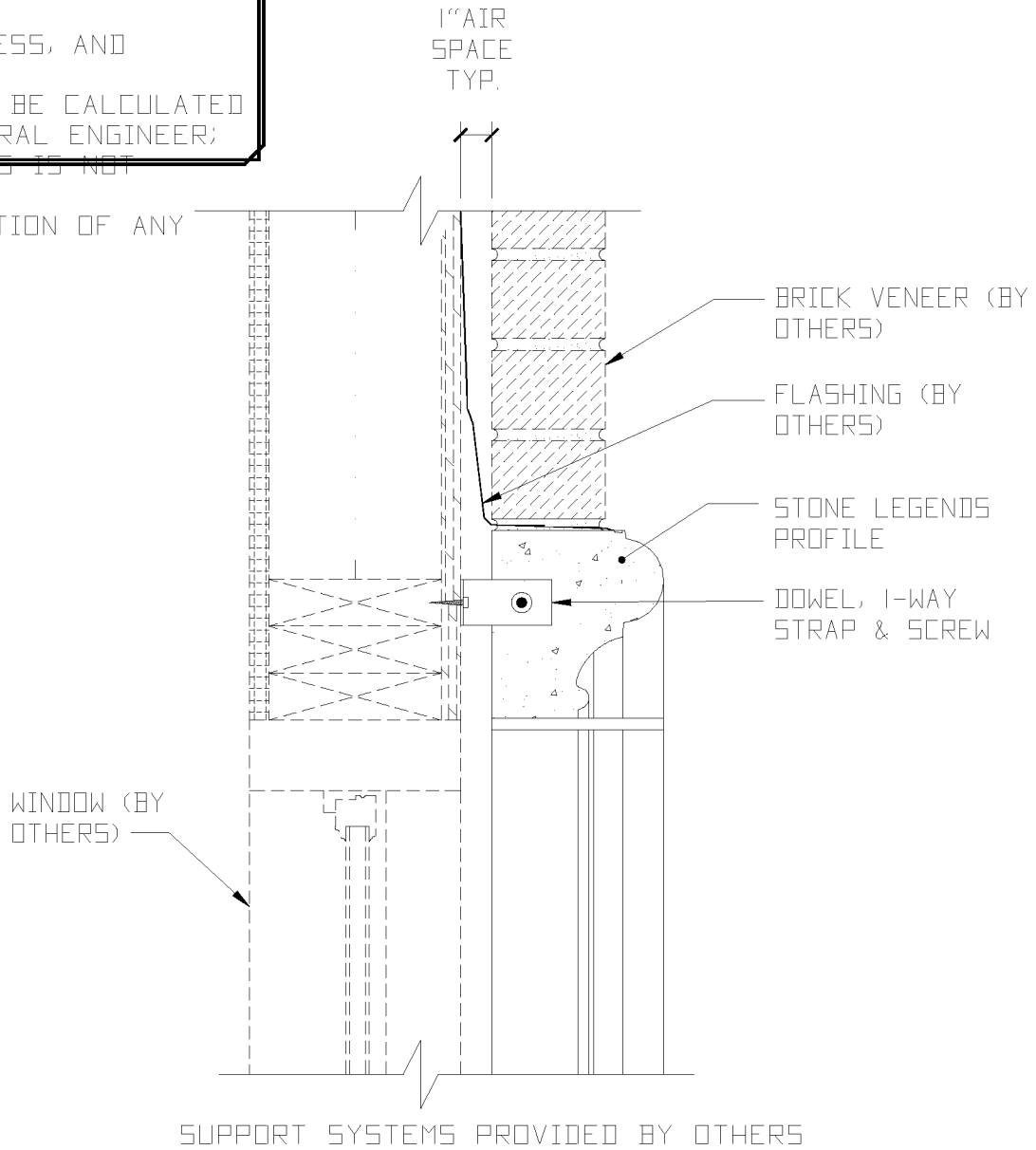
ATTACHMENT DRAWINGS HAVE BEEN INCLUDED AS SUGGESTED INSTALLATION DETAILS ONLY; ALL ATTACHMENTS, STEEL SIZES, GAUGE THICKNESS, AND ANCHOR SIZES SHOULD BE CALCULATED BY A STRUCTURAL ENGINEER; STONE LEGENDS IS NOT LIABLE FOR INSTALLATION OF ANY KIND

① ATTACHMENT OF CIRCULAR WINDOW SURROUND WITH FLASHING & DOWEL & I-WAY STRAP & SCREW

N.T.S.

ATTACHMENT DRAWINGS HAVE BEEN INCLUDED AS SUGGESTED INSTALLATION DETAILS ONLY; ALL ATTACHMENTS, STEEL SIZES, GAUGE THICKNESS, AND ANCHOR SIZES SHOULD BE CALCULATED BY A STRUCTURAL ENGINEER;

STONE LEGENDS IS NOT LIABLE FOR INSTALLATION OF ANY KIND

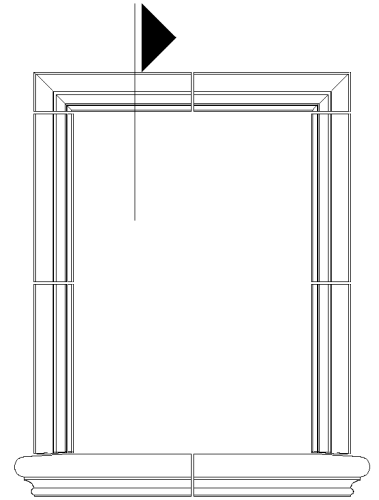


① ATTACHMENT OF HEADER TO BRICK VENEER WITH FLASHING & DOWEL & I-WAY STRAP & SCREW

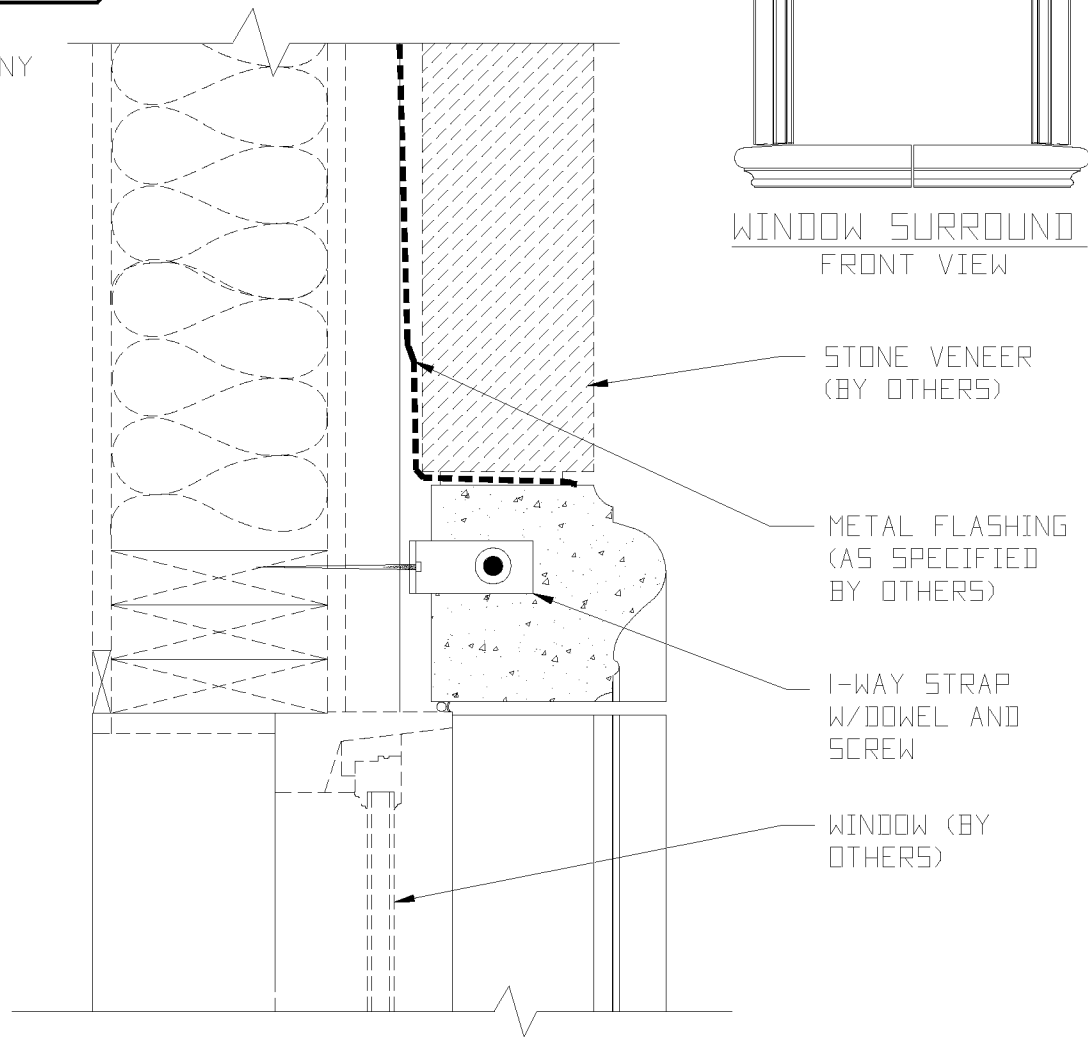
N.T.S.

ATTACHMENT DRAWINGS HAVE BEEN INCLUDED AS SUGGESTED INSTALLATION DETAILS ONLY; ALL ATTACHMENTS, STEEL SIZES, GAUGE THICKNESS, AND ANCHOR SIZES SHOULD BE CALCULATED BY A STRUCTURAL ENGINEER;

STONE LEGENDS IS NOT LIABLE FOR INSTALLATION OF ANY KIND



WINDOW SURROUND
FRONT VIEW

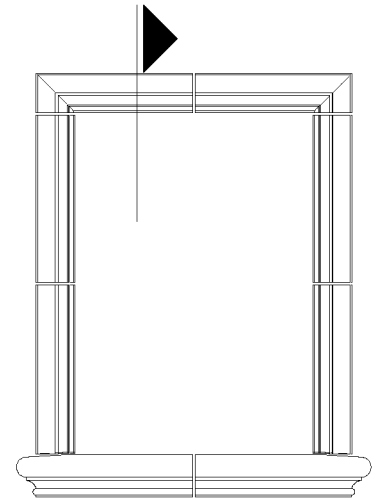


1 ATTACHMENT OF HEADER TO STONE VEENER
WITH FLASHING & DOWEL & I-WAY STRAP & SCREW

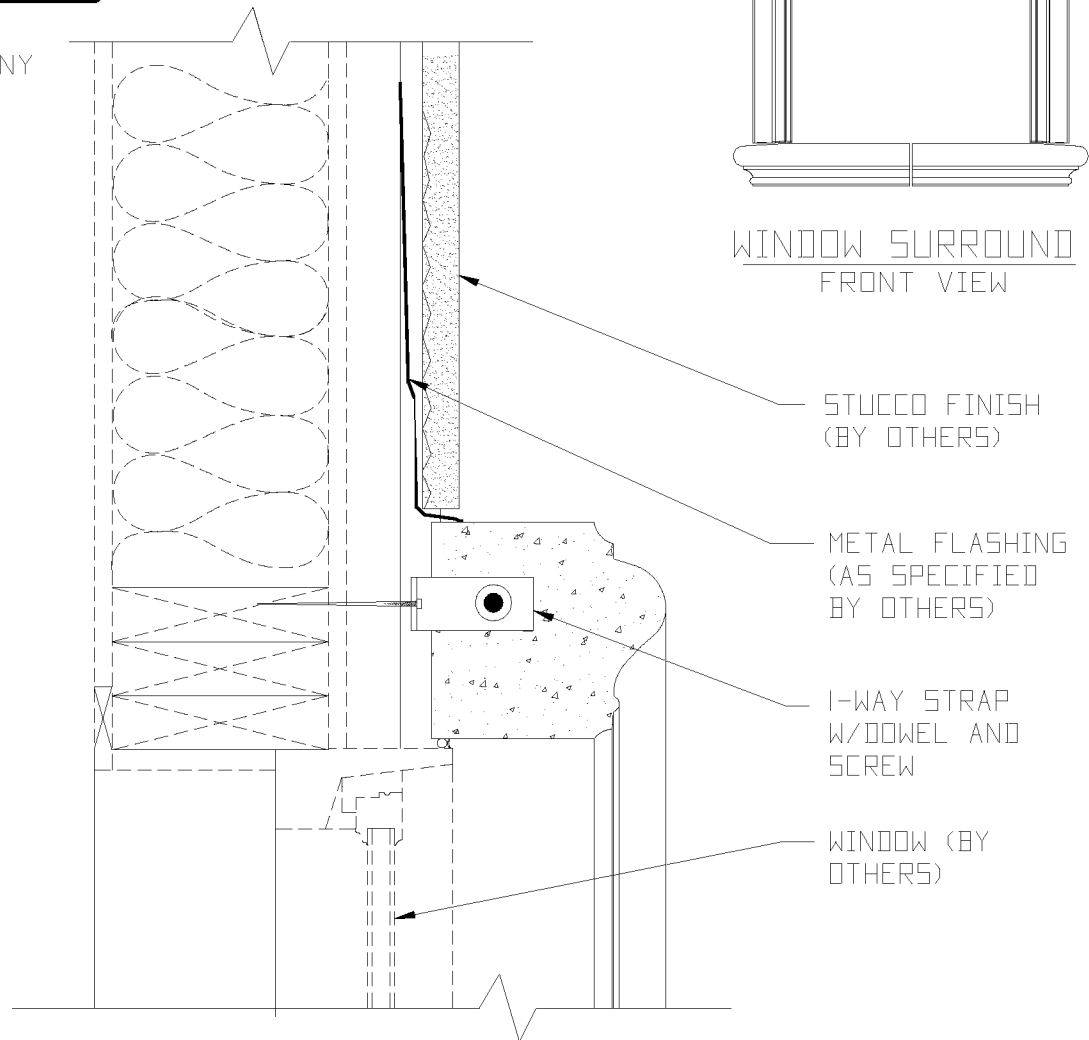
N.T.S.

ATTACHMENT DRAWINGS HAVE BEEN INCLUDED AS SUGGESTED INSTALLATION DETAILS ONLY; ALL ATTACHMENTS, STEEL SIZES, GAUGE THICKNESS, AND ANCHOR SIZES SHOULD BE CALCULATED BY A STRUCTURAL ENGINEER;

STONE LEGENDS IS NOT LIABLE FOR INSTALLATION OF ANY KIND



WINDOW SURROUND
FRONT VIEW

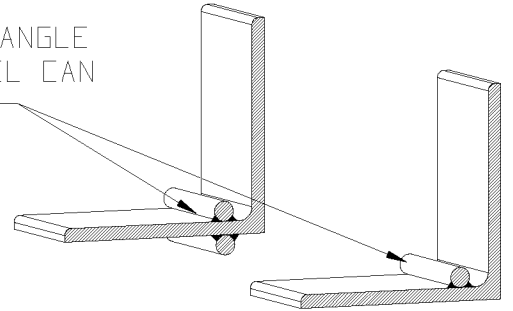


SUPPORT SYSTEMS PROVIDED BY OTHERS

1 ATTACHMENT OF HEADER TO STUCCO
WITH FLASHING & DOWEL & I-WAY STRAP & SCREW

N.T.S.

ROUND BAR WELDED ON TO ANGLE AS A BACK STOP. ANY STEEL CAN BE USED FOR A BACK STOP



DOWELS, & WIRE TO TIE BACK

WELD (TYP.)

ANGLE IRON

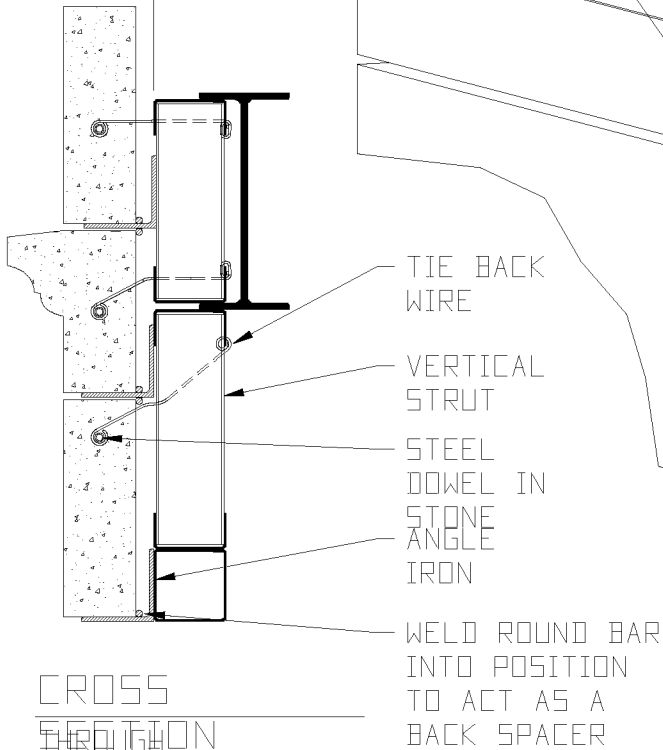
WELD

ROUND BAR FOR SPACER

ANGLE IRON

ROUND BAR FOR SPACER

$\frac{1}{16}$ " AIR GAP



TIE BACK WIRE

VERTICAL STRUT

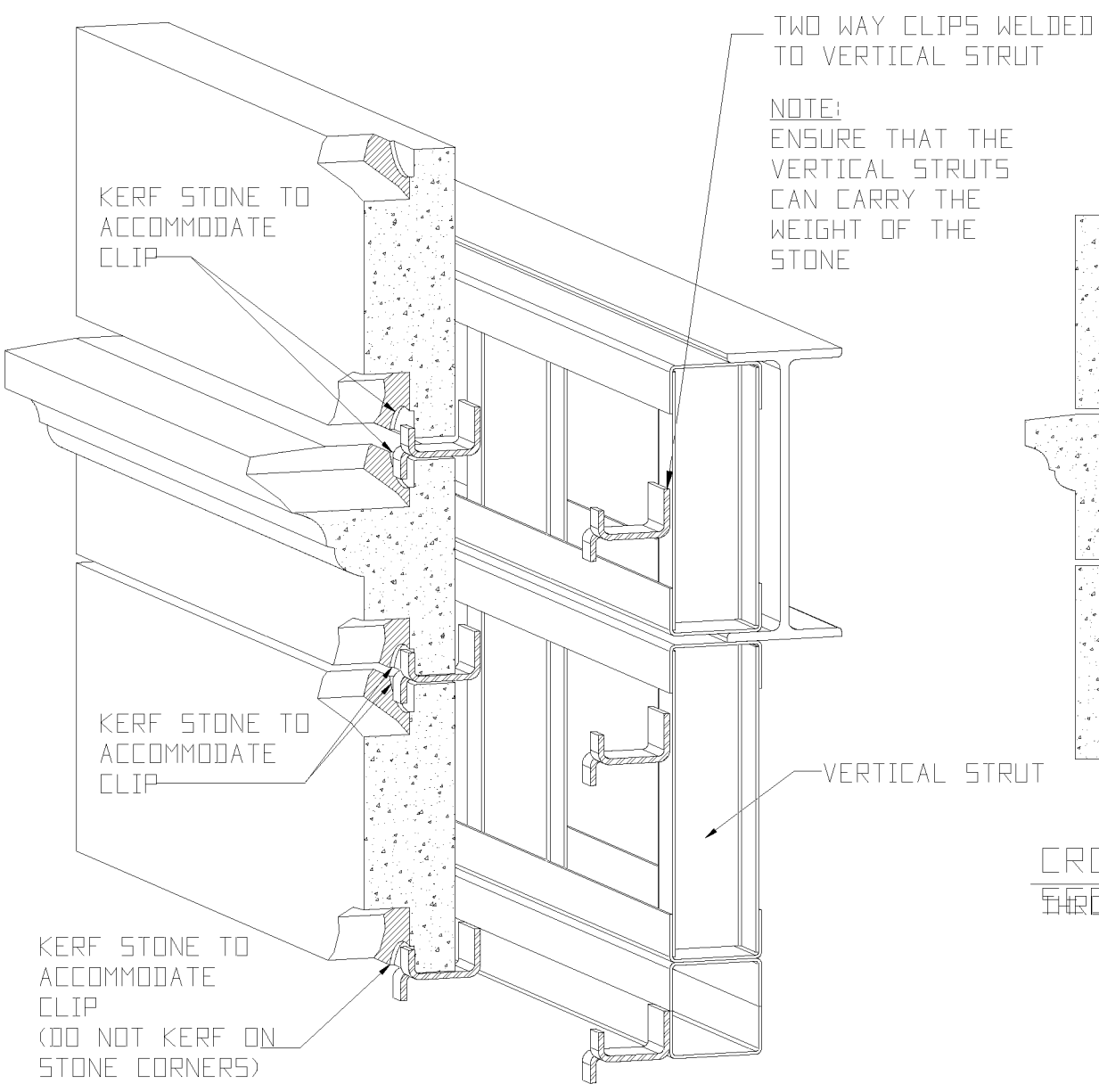
STEEL DOWEL IN STONE ANGLE IRON

WELD ROUND BAR INTO POSITION TO ACT AS A BACK SPACER

ISOMETRIC VIEW CUT BACK

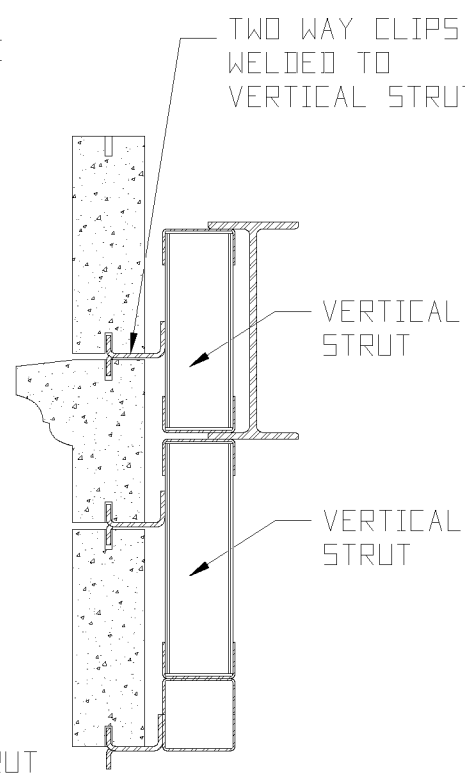
CROSS SECTION
STRUCTURE

1 ATTACHMENT OF PANEL AND WATERTABLE TO STEEL STRUCTURE WITH DOWEL AND WIRE AND ANGLE AND ROD



TWO WAY CLIPS WELDED TO VERTICAL STRUT

NOTE: ENSURE THAT THE VERTICAL STRUTS CAN CARRY THE WEIGHT OF THE STONE



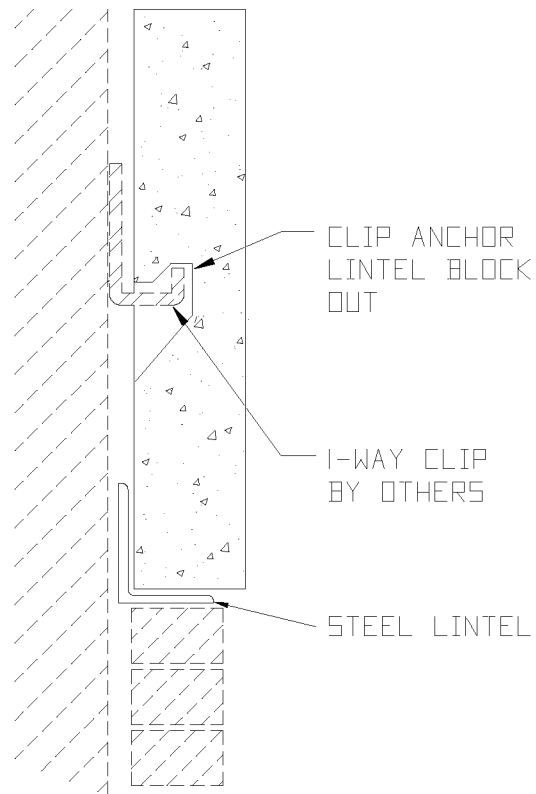
CROSS SECTION THROUGH STRUCTURE

TWO WAY CLIPS WELDED TO STRUCTURE TO SUPPORT STONE

1

ATTACHMENT OF PANEL AND WATERTABLE TO STRUCTURAL STEEL WITH 2-WAY STRAPS

ATTACHMENT DRAWINGS HAVE BEEN INCLUDED AS SUGGESTED INSTALLATION DETAILS ONLY; ALL ATTACHMENTS, STEEL SIZES, GAUGE THICKNESS, AND ANCHOR SIZES SHOULD BE CALCULATED BY A STRUCTURAL ENGINEER; STONE LEGENDS IS NOT LIABLE FOR INSTALLATION OF ANY KIND

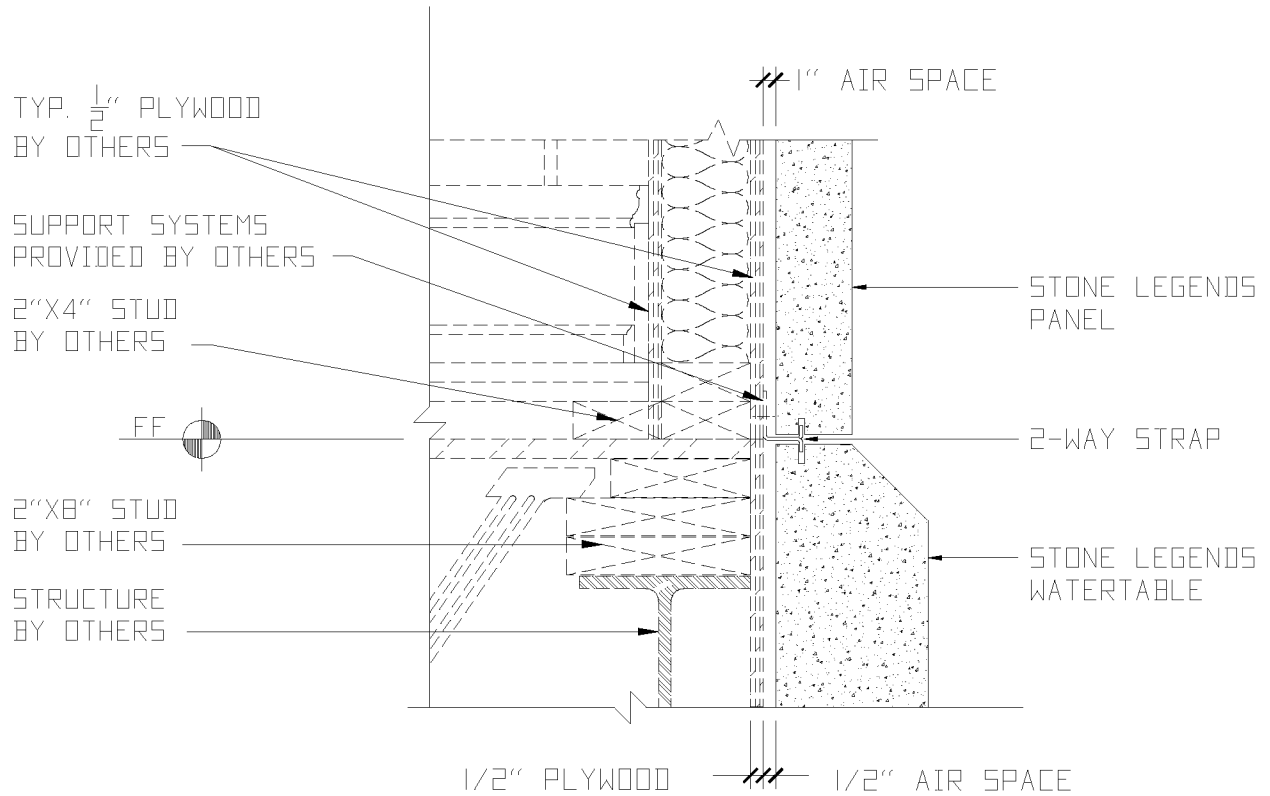


SUPPORT SYSTEMS PROVIDED BY OTHERS

① ATTACHMENT OF PANEL TO BRICK WALL
WITH I-WAY STRAP & LINTEL

N.T.S.

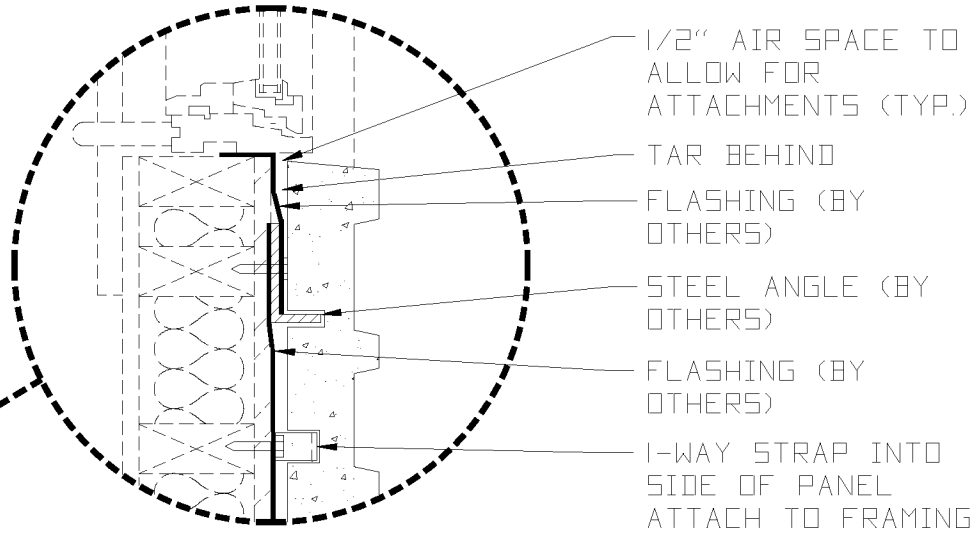
ATTACHMENT DRAWINGS HAVE BEEN INCLUDED AS SUGGESTED INSTALLATION DETAILS ONLY; ALL ATTACHMENTS, STEEL SIZES, GAUGE THICKNESS, AND ANCHOR SIZES SHOULD BE CALCULATED BY A STRUCTURAL ENGINEER; STONE LEGENDS IS NOT LIABLE FOR INSTALLATION OF ANY KIND



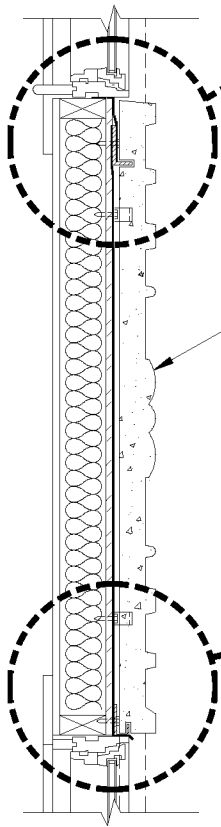
① ATTACHMENT OF PANEL & WATERTABLE TO WOOD STRUCTURE WITH 2-WAY STRAP

N.T.S.

ATTACHMENT DRAWINGS HAVE BEEN INCLUDED AS SUGGESTED INSTALLATION DETAILS ONLY; ALL ATTACHMENTS, STEEL SIZES, GAUGE THICKNESS, AND ANCHOR SIZES SHOULD BE CALCULATED BY A STRUCTURAL ENGINEER; STONE LEGENDS IS NOT LIABLE FOR INSTALLATION OF ANY KIND

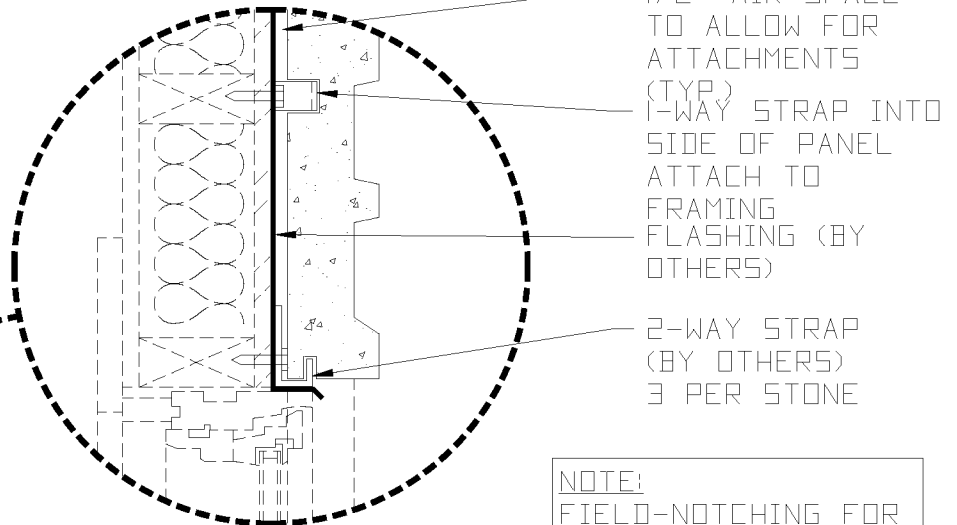


DETAIL VIEW



VERTICAL SECTION

STONE LEGENDS PANEL

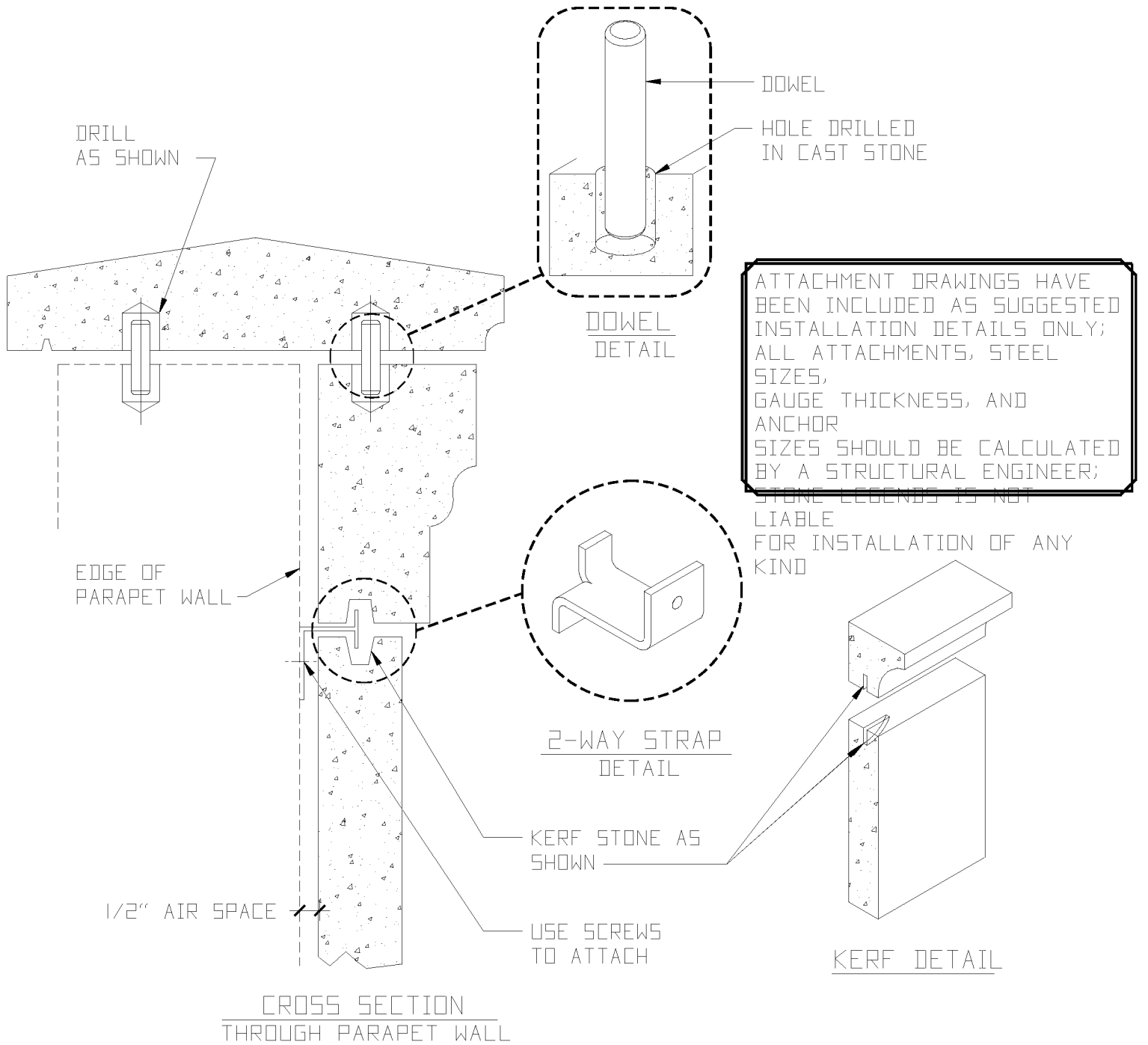


DETAIL VIEW

NOTE:
FIELD-NOTCHING FOR ATTACHMENTS REQ. WHERE NECESSARY

① ATTACHMENT OF PANELS TO WOOD WITH FLASHING & 1-WAY STRAP & 2-WAY STRAP

N.T.S.



ATTACHMENT DRAWINGS HAVE BEEN INCLUDED AS SUGGESTED INSTALLATION DETAILS ONLY; ALL ATTACHMENTS, STEEL SIZES, GAUGE THICKNESS, AND ANCHOR SIZES SHOULD BE CALCULATED BY A STRUCTURAL ENGINEER; STONE LEGENDS IS NOT

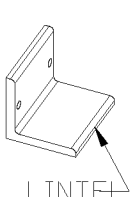
LIABLE FOR INSTALLATION OF ANY KIND

①

ATTACHMENT OF PARAPET CAP TO ENTABLATURE & PANEL WITH 2-WAY STRAP & DOWEL & SCREW

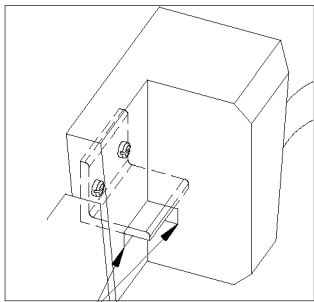
N.T.S.

NOTE:
 THE REQUIREMENTS FOR ATTACHING STONE TO STRUCTURES, VARIES AMONG THE DIFFERENT STATES. A CERTIFIED ENGINEER THAT IS FAMILIAR WITH THE GEOLOGIC SEISMIC & CLIMATIC CONDITIONS OF YOUR AREA MUST DETERMINE THE BEST METHOD FOR ATTACHING THE STONE TO THE STRUCTURE. THE STONE SUPPLIER IS NOT RESPONSIBLE FOR PROVIDING INFORMATION ON ATTACHMENT METHODS AND CAN ONLY PROVIDE SUGGESTED ATTACHMENT METHODS. THESE SUGGESTED METHODS ARE WELL KNOWN AND HAVE BEEN USED THROUGHOUT THE INDUSTRY. THE STUCCO/STONE MUST HIDE ALL ATTACHMENTS.

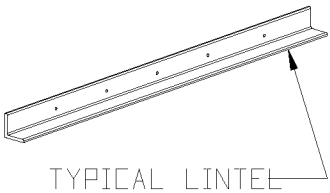


TYPICAL LINTEL

SCREW LINTEL TO WALL
 CUT KEYSTONE TO HOUSE LINTEL

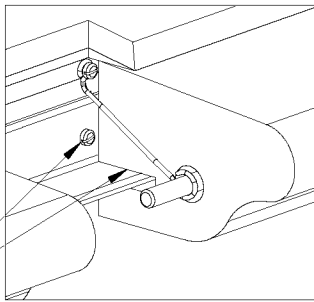


KEYSTONE TO WOOD
 USING LINTEL AND SCREWS

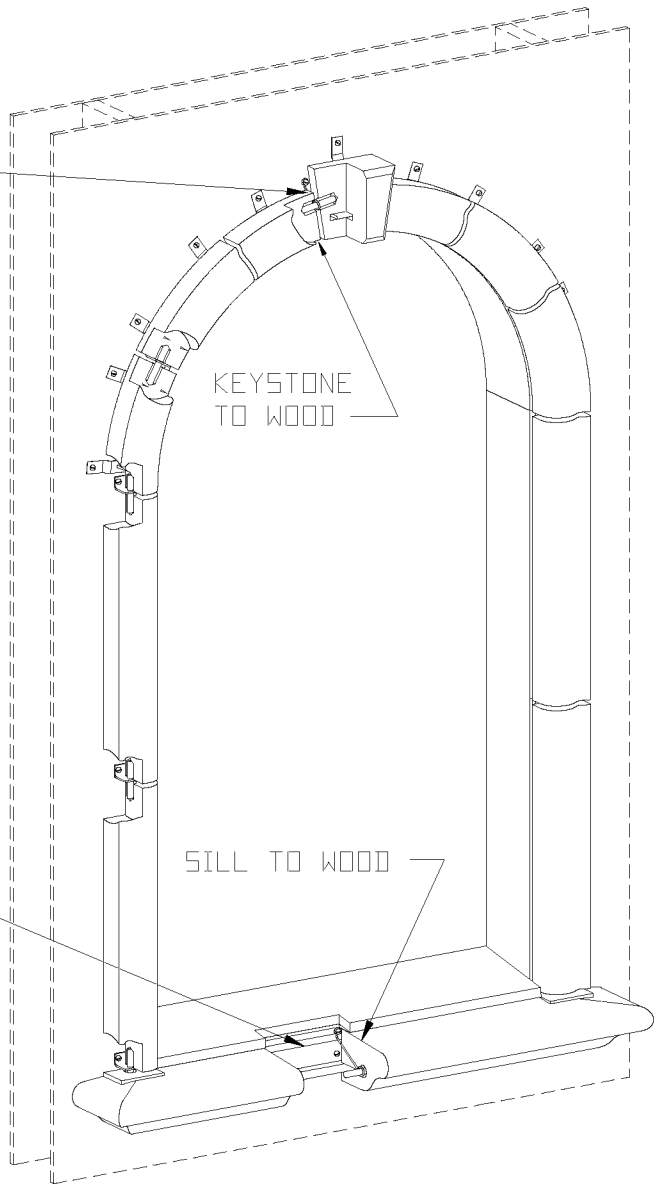


TYPICAL LINTEL

SCREW LINTEL TO WALL
 CUT SILL TO HOUSE LINTEL



SILL TO WOOD
 USING LINTEL AND SCREWS



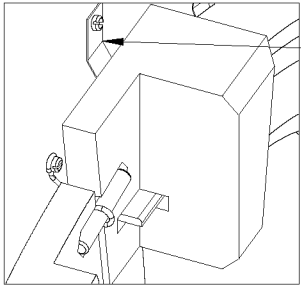
KEYSTONE TO WOOD

SILL TO WOOD

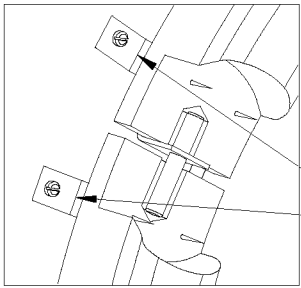
1 ATTACHMENT OF WINDOW SURROUND TO STUCCO AND WOOD STRUCTURE WITH LINTEL AND SCREWS

N.T.S.

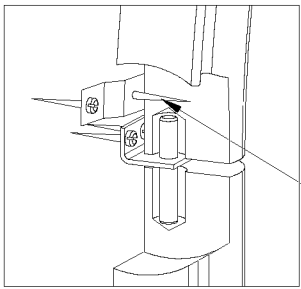
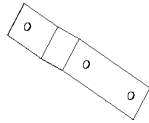
NOTE:
THE REQUIREMENTS FOR ATTACHING STONE TO STRUCTURES, VARIES AMONG THE DIFFERENT STATES. A CERTIFIED ENGINEER THAT IS FAMILIAR WITH THE GEOLOGIC SEISMIC & CLIMATIC CONDITIONS OF YOUR AREA MUST DETERMINE THE BEST METHOD FOR ATTACHING THE STONE TO THE STRUCTURE. THE STONE SUPPLIER IS NOT RESPONSIBLE FOR PROVIDING INFORMATION ON ATTACHMENT METHODS AND CAN ONLY PROVIDE SUGGESTED ATTACHMENT METHODS. THESE SUGGESTED METHODS ARE WELL KNOWN AND HAVE BEEN USED THROUGHOUT THE INDUSTRY. THE STUCCO/STONE MUST HIDE ALL ATTACHMENTS.



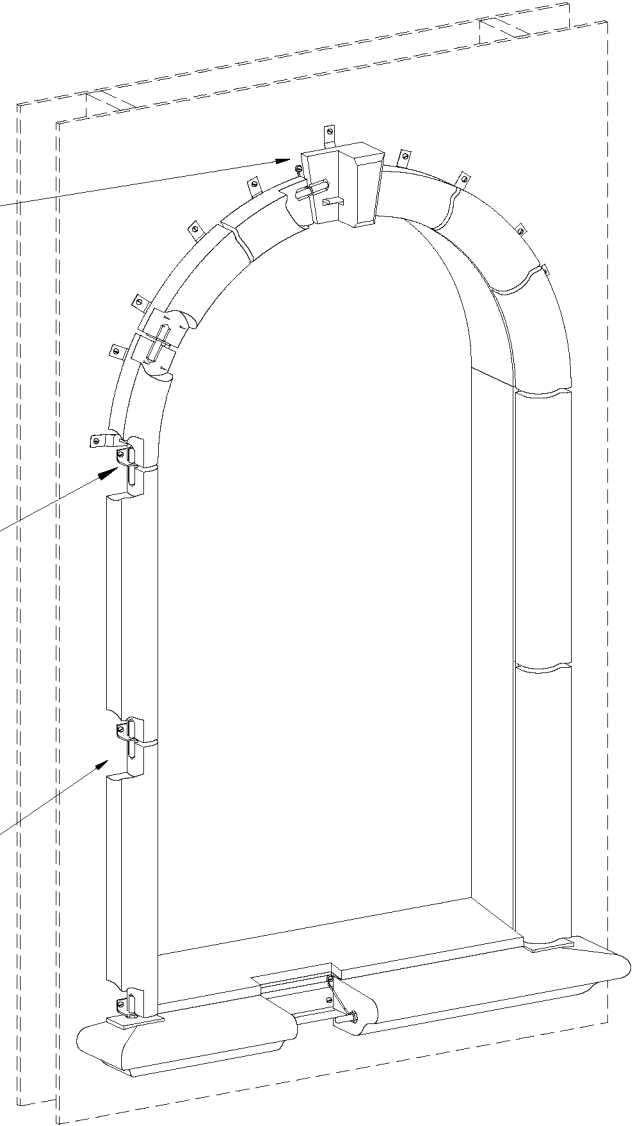
KEYSTONE TO WOOD
USING STRAP & SCREWS



STONE TO WOOD
USING STRAP & SCREWS

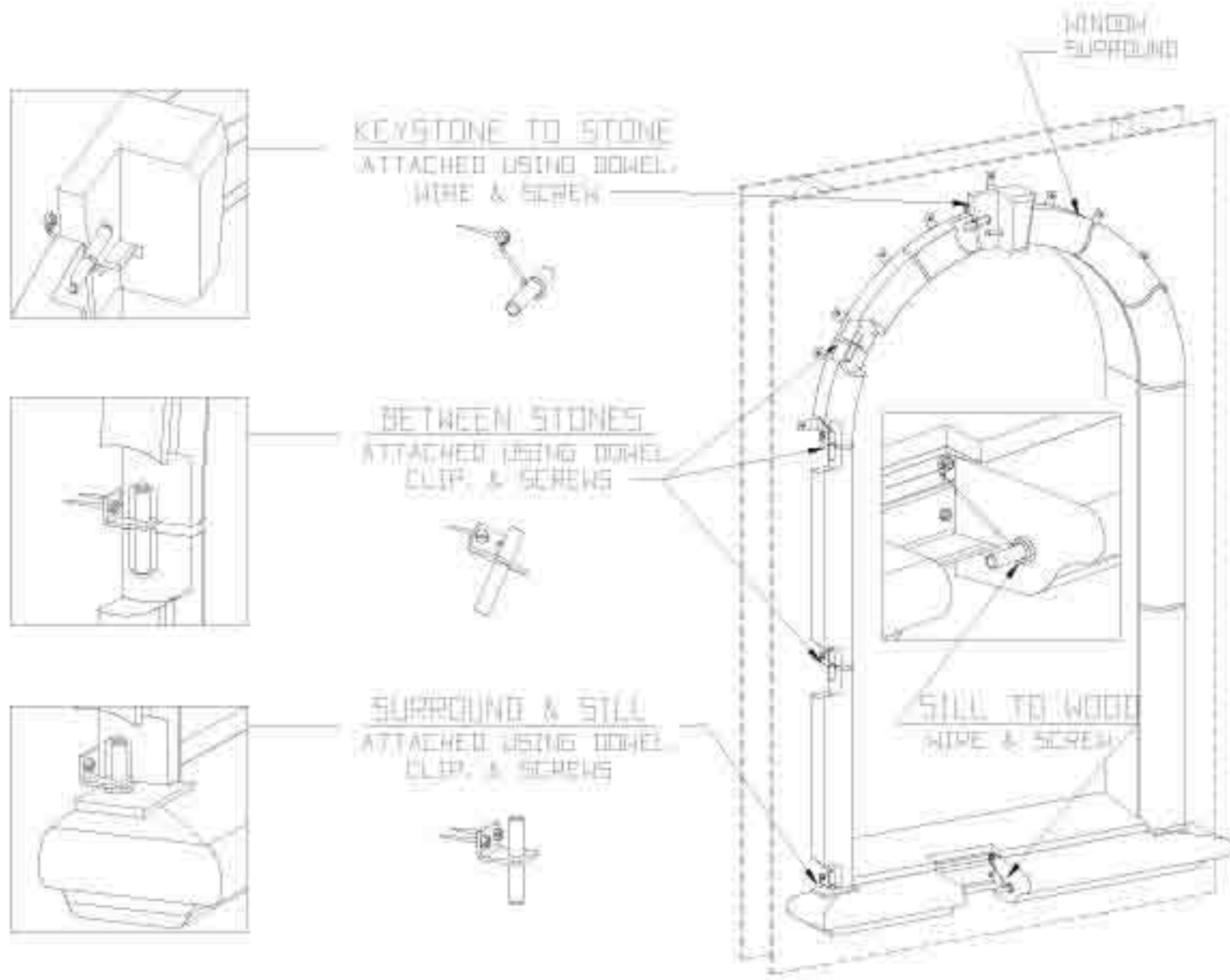


STONE TO WOOD
USING STRAP & SCREWS

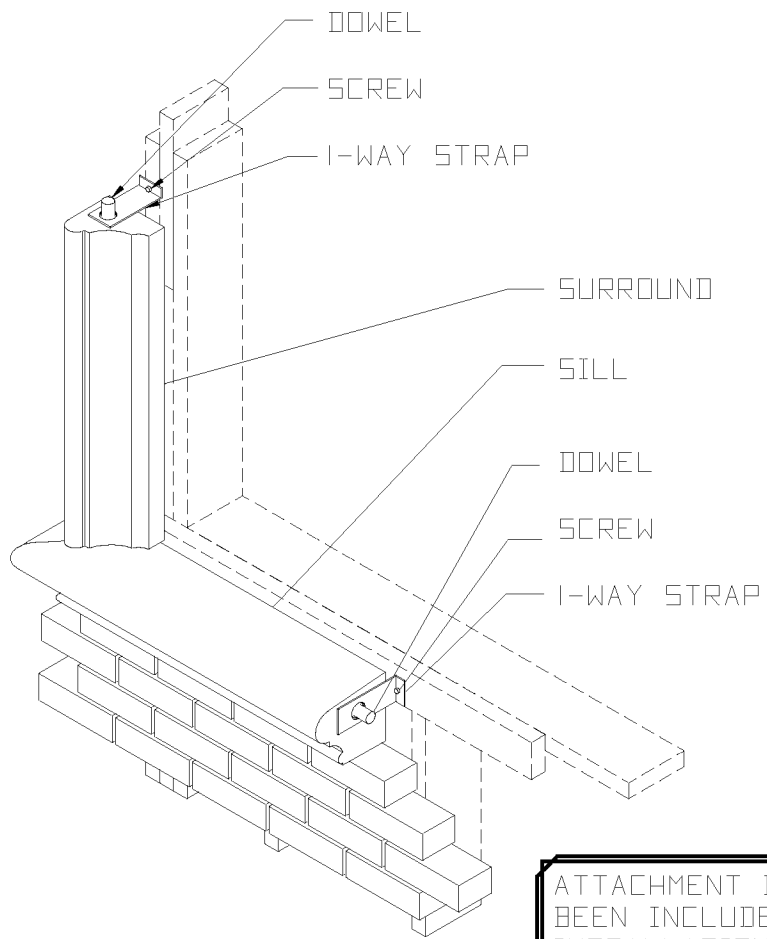


① ATTACHMENT OF WINDOW SURROUND TO STUCCO AND WOOD
WITH STRAP & SCREWS

NOTE: THE REQUIREMENTS FOR ATTACHING STONE TO STRUCTURES VARIES AMONG THE DIFFERENT STATES. A CERTIFIED ENGINEER THAT IS FAMILIAR WITH THE GEOLOGIC, SEISMIC & CLIMATIC CONDITIONS OF YOUR AREA MUST DETERMINE THE BEST METHOD FOR ATTACHING THE STONE TO THE STRUCTURE. THE STONE SUPPLIER IS NOT RESPONSIBLE FOR PROVIDING INFORMATION ON ATTACHMENT METHODS AND CAN ONLY PROVIDE SUGGESTED ATTACHMENT METHODS. THESE SUGGESTED METHODS ARE WELL KNOWN AND HAVE BEEN USED THROUGHOUT THE INDUSTRY. THE STUCCO/STONE MUST HIDE ALL ATTACHMENTS.



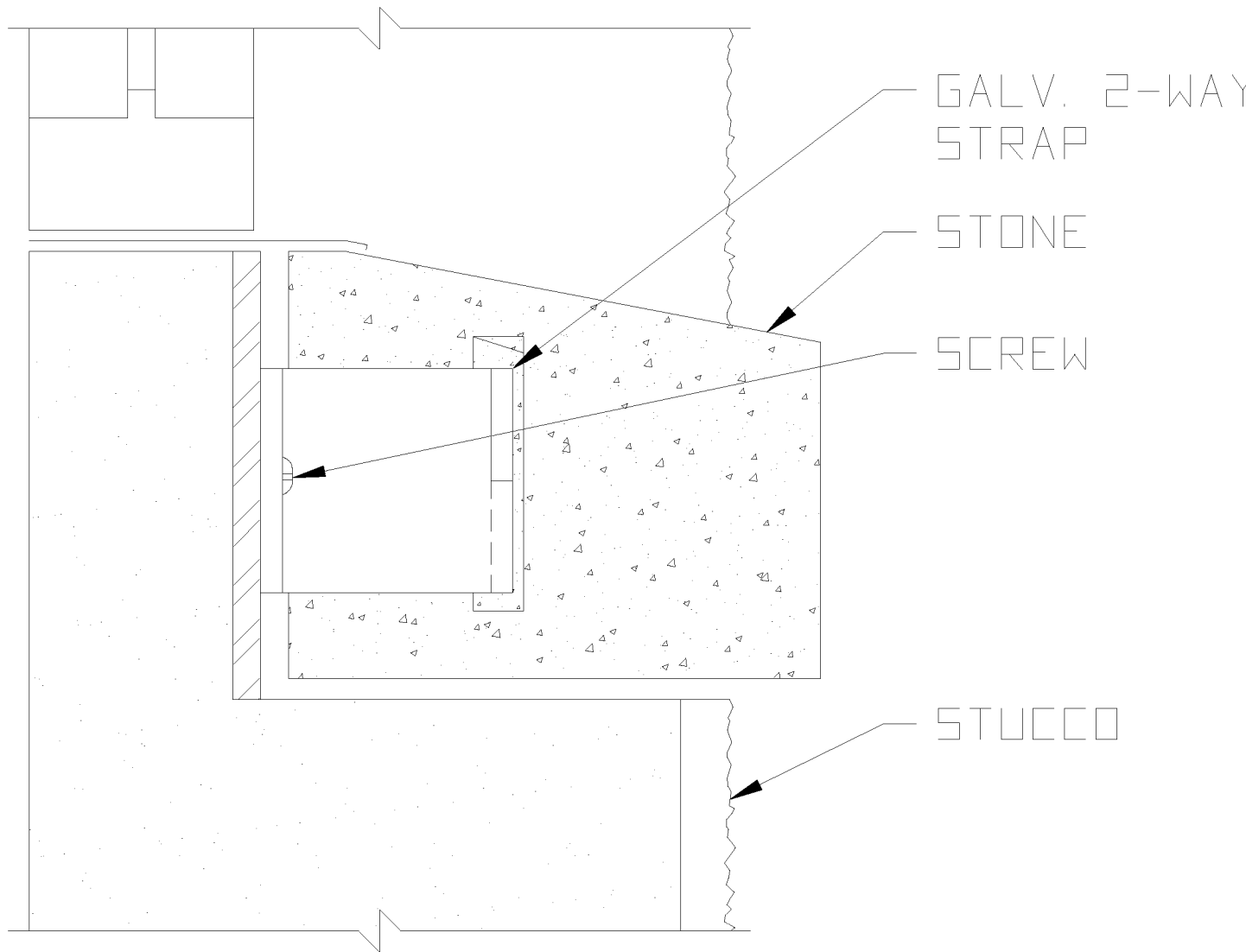
① ATTACHMENT OF WINDOW SURROUNDING AND SILL TO STUCCO AND WOOD WITH I-WAY & DOWELS & SCREWS & WIRE



ATTACHMENT DRAWINGS HAVE BEEN INCLUDED AS SUGGESTED INSTALLATION DETAILS ONLY; ALL ATTACHMENTS, STEEL SIZES, GAUGE THICKNESS, AND ANCHOR SIZES SHOULD BE CALCULATED BY A STRUCTURAL ENGINEER; STONE LEGENDS IS NOT

LIABLE FOR INSTALLATION OF ANY KIND

① ATTACHMENT OF SILL TO BRICK USING DOWEL & SCREW & I-WAY STRAP

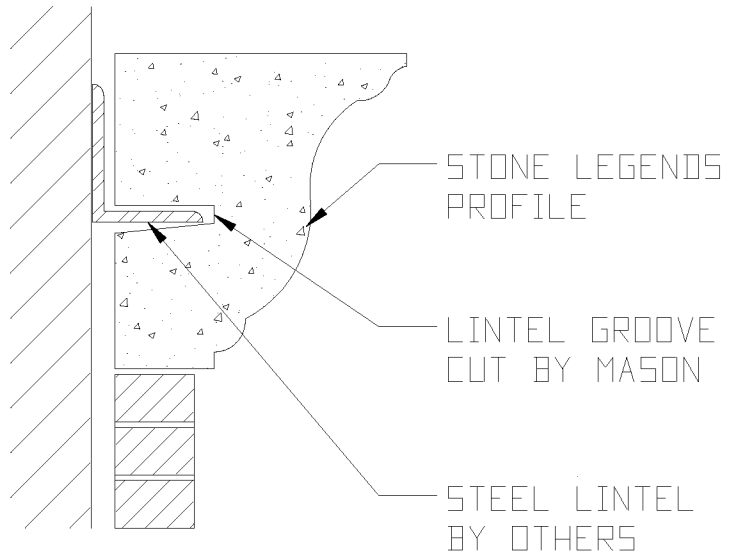


SUPPORT SYSTEMS PROVIDED BY OTHERS

ATTACHMENT OF SILL TO STUCCO

WITH 2-WAY STRAP

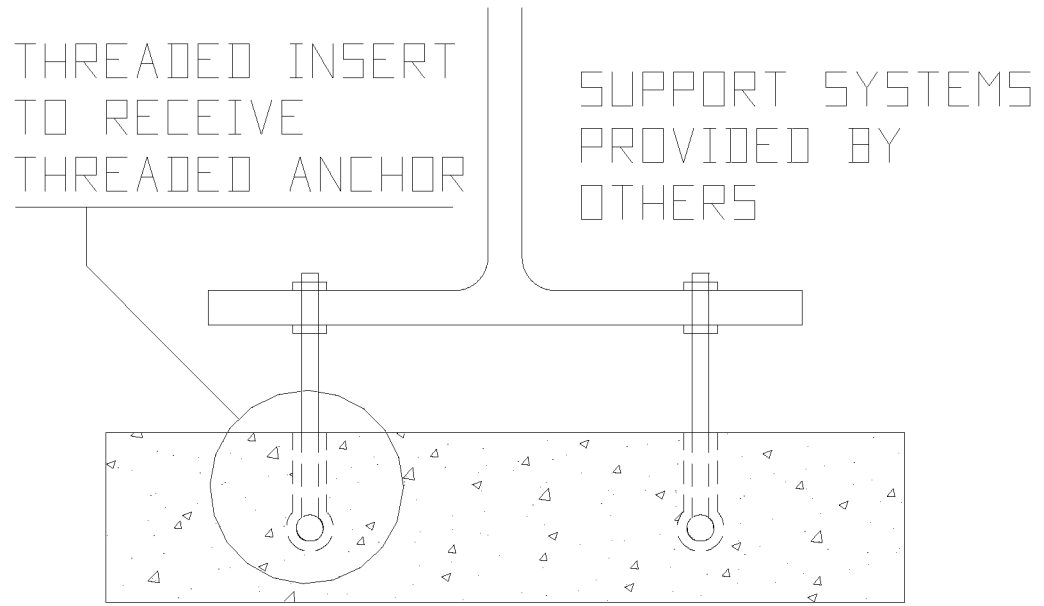
1



SUPPORT SYSTEMS PROVIDED BY OTHERS

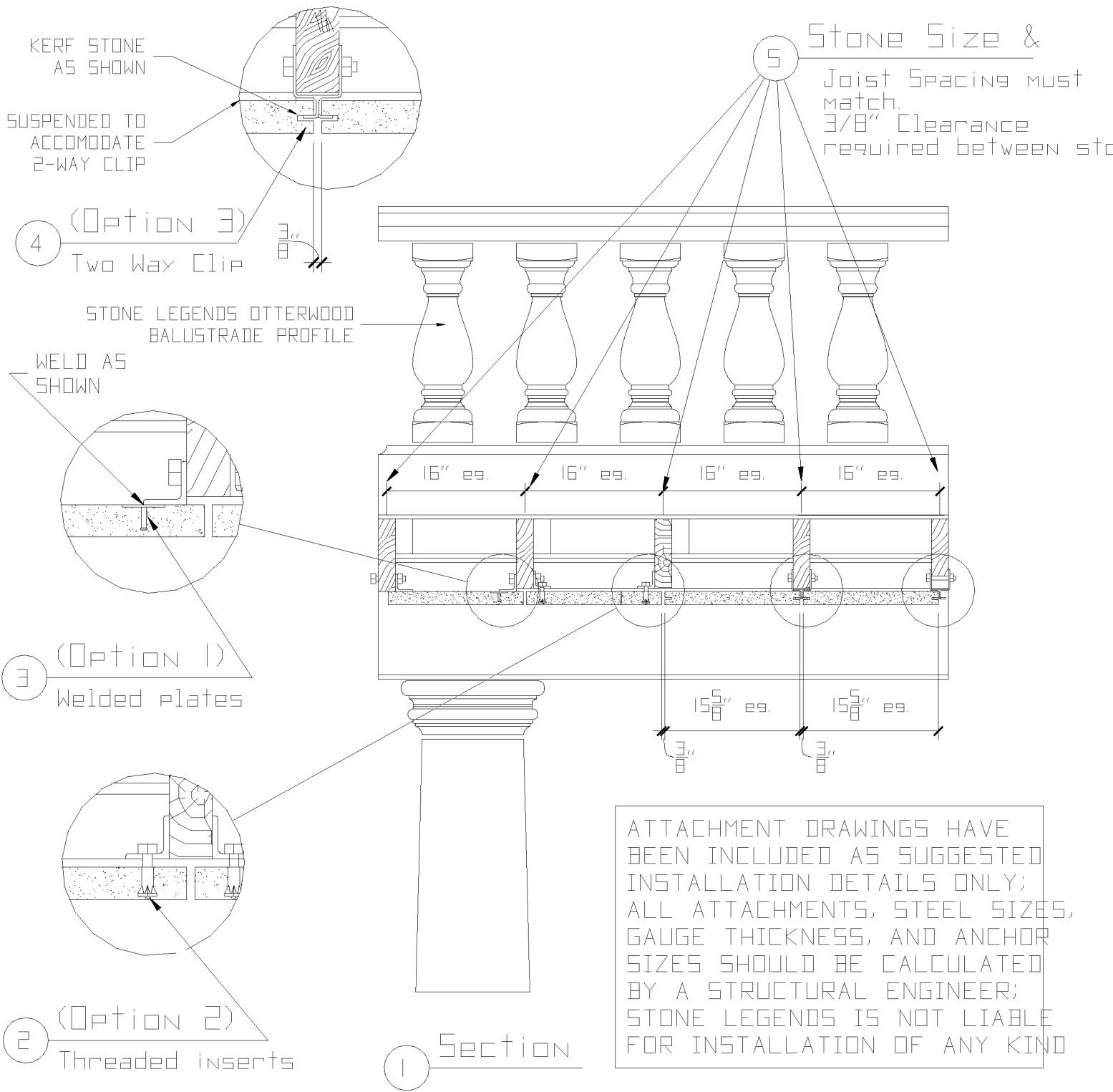
① ATTACHMENT OF SINGLE PROFILE W/HIDDEN LINTEL TO A SURFACE
 ANGLE WITH NOTCH

NTS

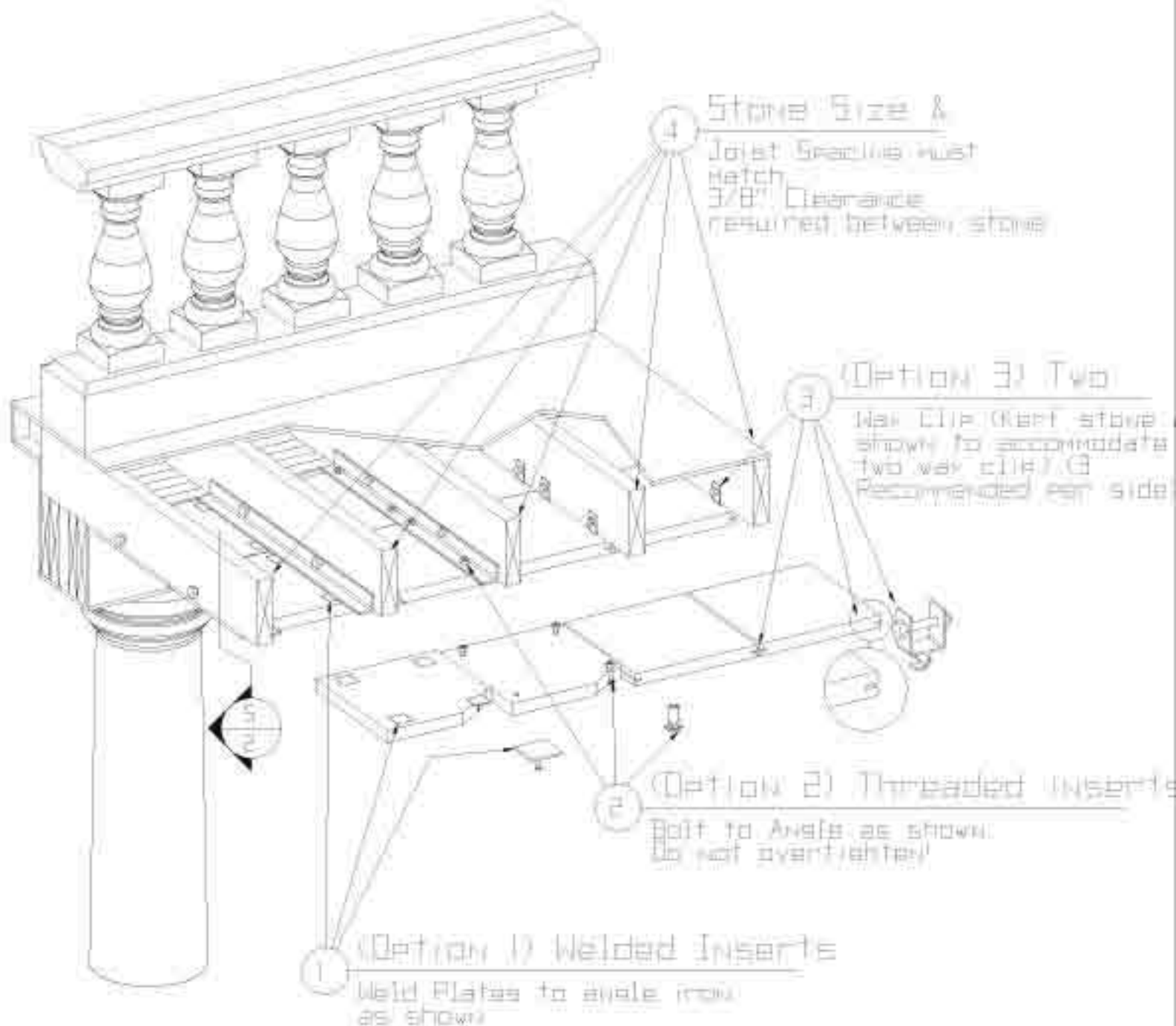


1 ATTACHMENT OF SOFFIT TO STRUCTURAL STEEL BEAMS WITH THREADED INSERTS

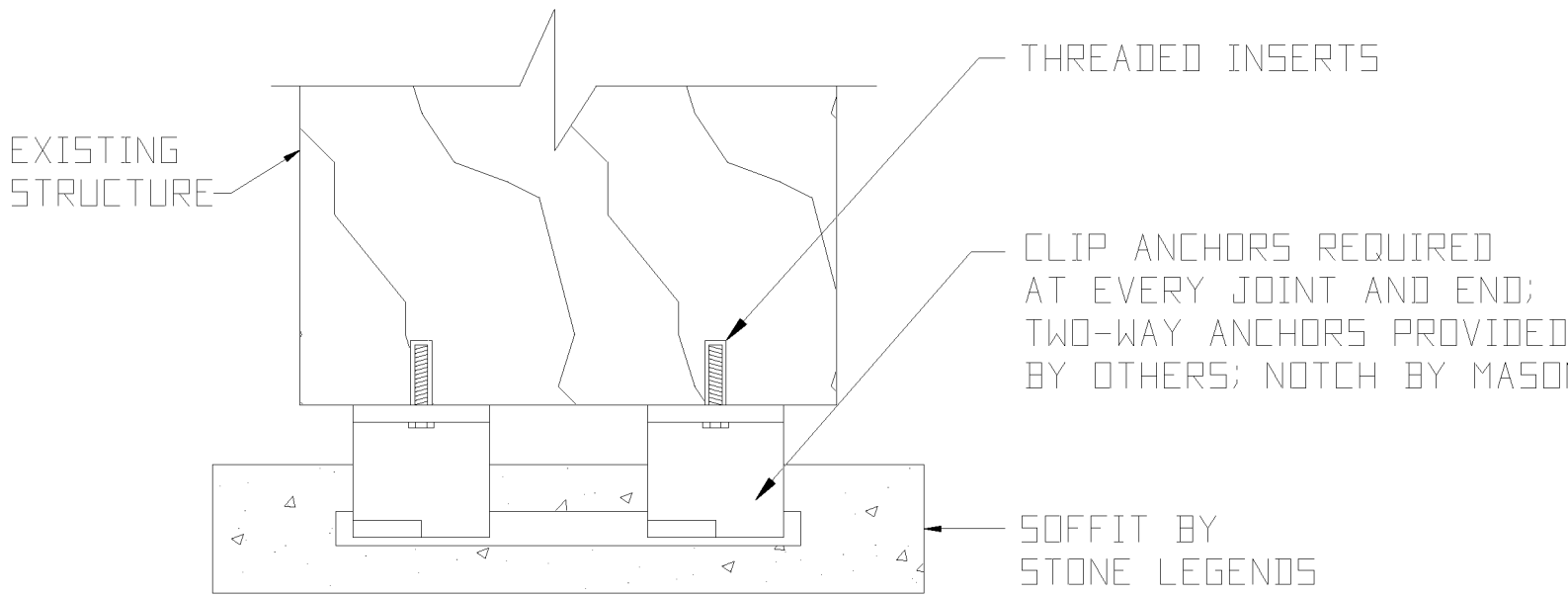
How to hang stone from a soffit at an Entry.



How to hang stone from a soffit at an Entry



Note: The requirements for attaching stone to structures varies about the different States & certified mason that is familiar with the Federal Seismic & Climatic conditions of your area must determine the best method for attaching the stone to the structure. The stone supplier is not responsible for providing information on attachment methods and can only provide suggested attachment methods. These suggested methods are well known and have been used throughout the industry. The Stone-Steel must hide all attachments.

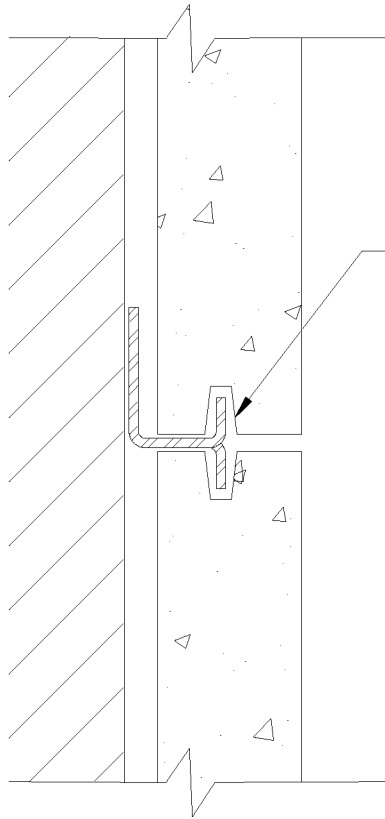


SUPPORT SYSTEMS PROVIDED BY OTHERS

① ATTACHMENT OF SOFFIT TO A WOOD BEAM

2-WAY STRAP AND THREADED INSERTS

NTS



CLIP ANCHORS REQUIRED
@ EVERY JOINT AND ENDS.

TWO-WAY ANCHORS PROVIDED
BY OTHERS, NOTCH BY MASON.

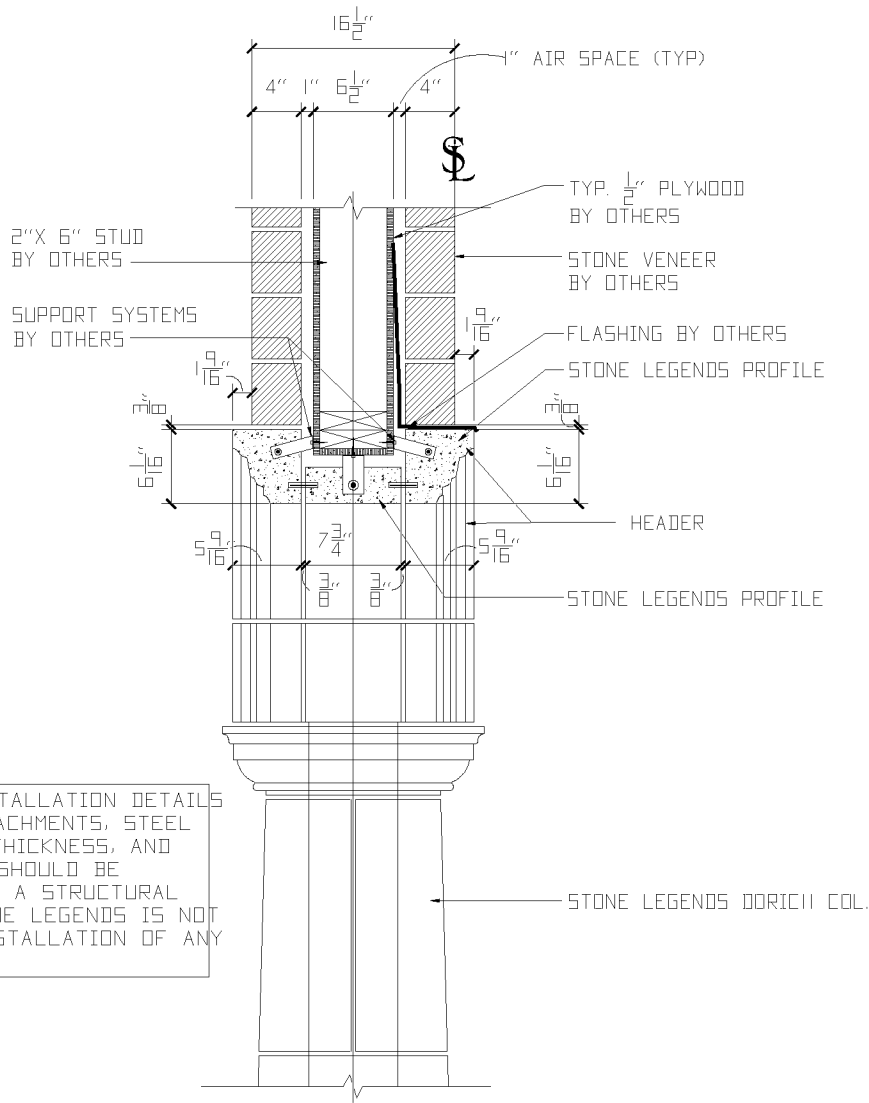
SUPPORT SYSTEMS PROVIDED BY OTHERS

ATTACHMENT OF STACKED PANELS TO SURFACE

WITH 2-WAY STRAP

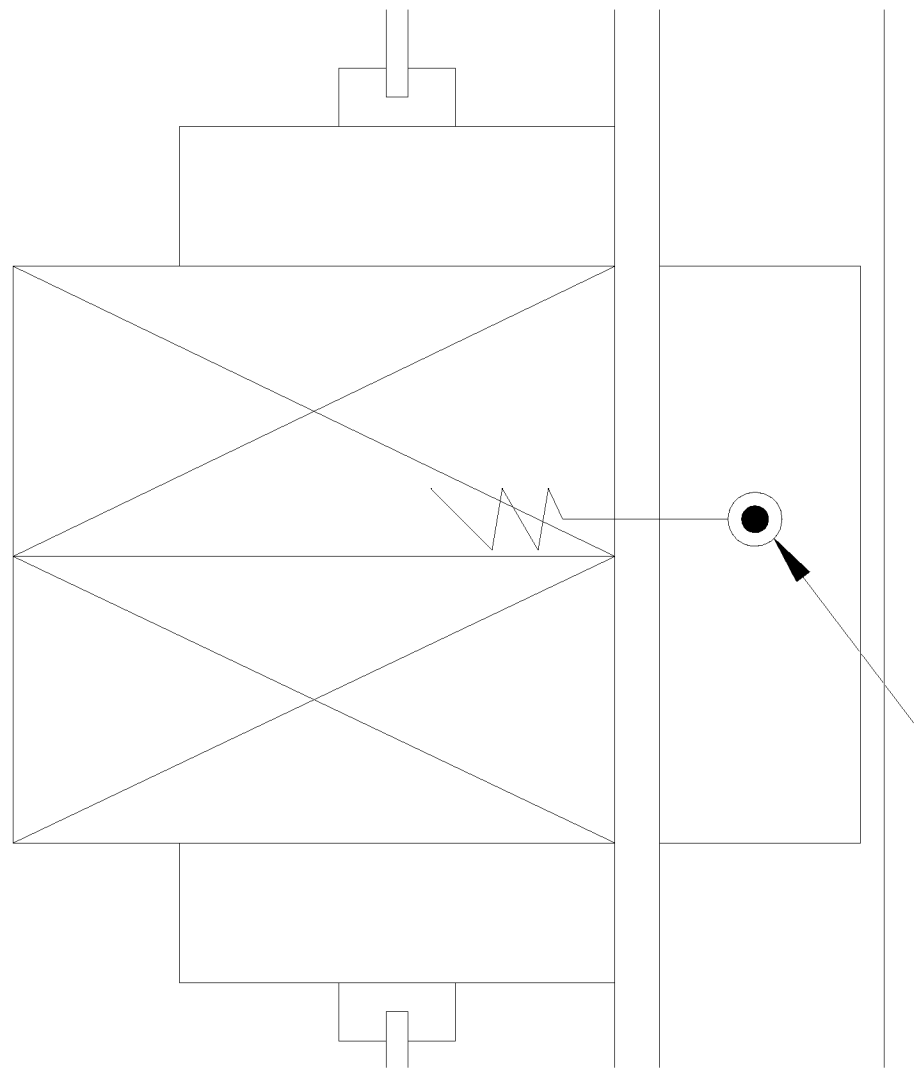
NTS

Attachment & Flashing of double sided surround with a soffit



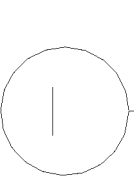
SUGGESTED INSTALLATION DETAILS ONLY; ALL ATTACHMENTS, STEEL SIZES, GAUGE THICKNESS, AND ANCHOR SIZES SHOULD BE CALCULATED BY A STRUCTURAL ENGINEER; STONE LEGENDS IS NOT LIABLE FOR INSTALLATION OF ANY KIND

① Section @ Front Entrance Arch



SUPPORT SYSTEMS
 PROVIDED BY
 OTHERS

3" GALVANIZED
 PIN AND WIRE
 TIE ANCHOR;
 SCREW TO FRAME

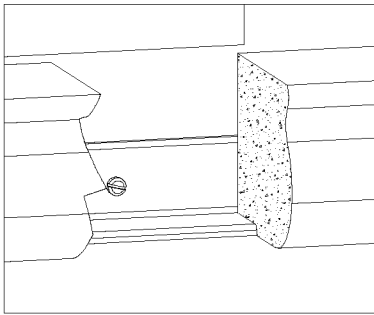


ATTACHMENT DETAIL

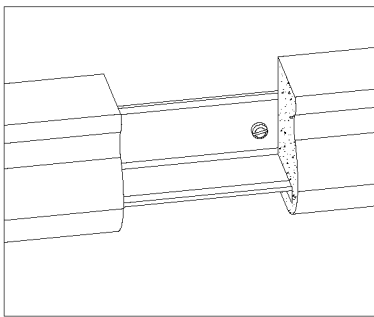
PIN & WIRE TIE ANCHOR

NTS

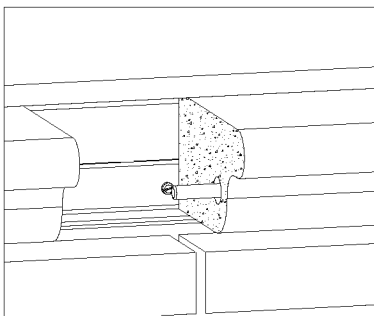
NOTE: THE REQUIREMENTS FOR ATTACHING STONE TO STRUCTURES, VARIES BETWEEN DIFFERENT STATES. A CERTIFIED ENGINEER MUST DETERMINE THE BEST METHOD FOR ATTACHING THE STONE TO THE STRUCTURE IN YOUR AREA. CSCS IS NOT RESPONSIBLE FOR PROVIDING INFORMATION ON HOW TO ATTACH STONE TO A STRUCTURE AND CAN ONLY PROVIDE INFORMATION AND SUGGESTED METHODS TO AID THE BUILDER/MASON TO ATTACH THE STONE. THESE SUGGESTED METHODS ARE WELL KNOWN AND HAVE BEEN USED THROUGHOUT THE INDUSTRY.



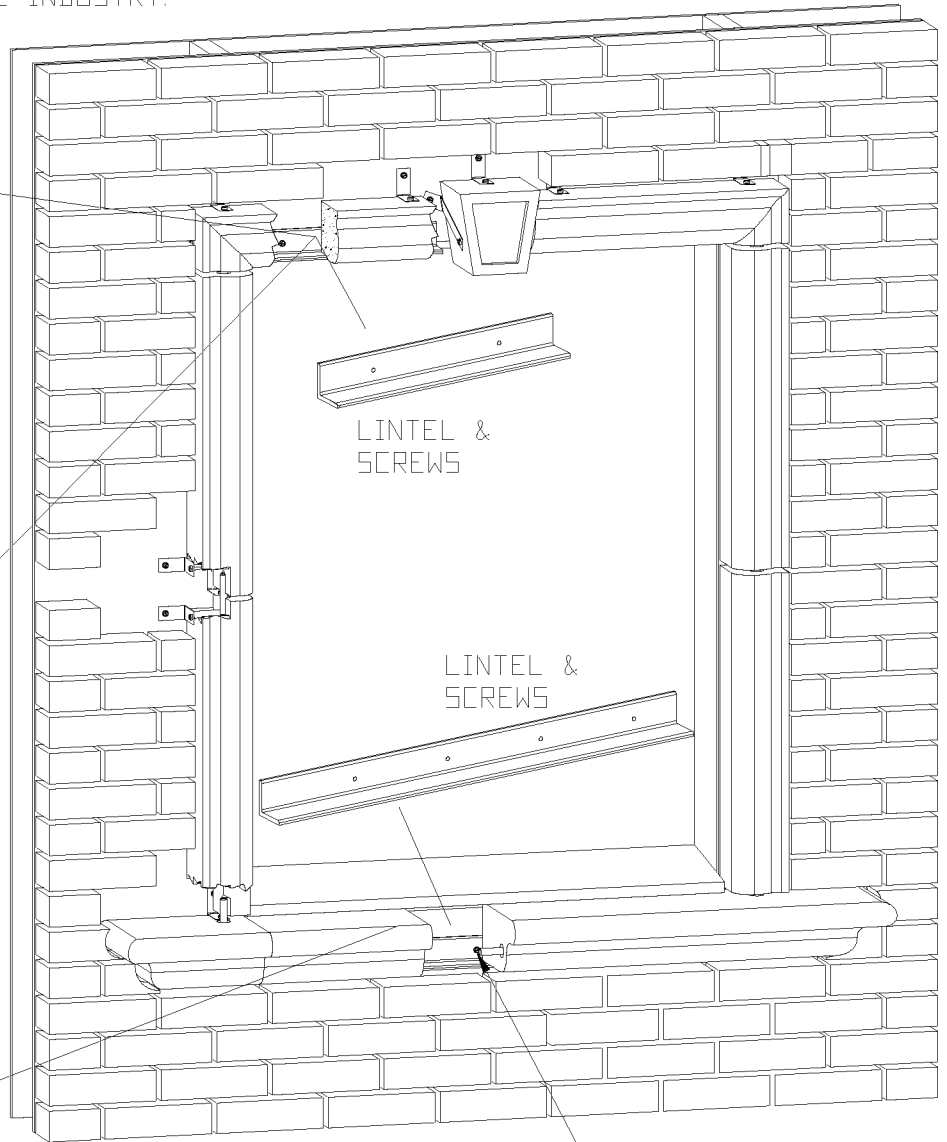
EXAMPLE SHOWN OF UNDER CUT STONE TO HOUSE LINTEL. (NOTE: LINTEL IS VISIBLE FROM BELOW)



EXAMPLE SHOWN OF BLIND LINTEL. STONE IS CUT IN THE BACK TO HIDE THE LINTEL.

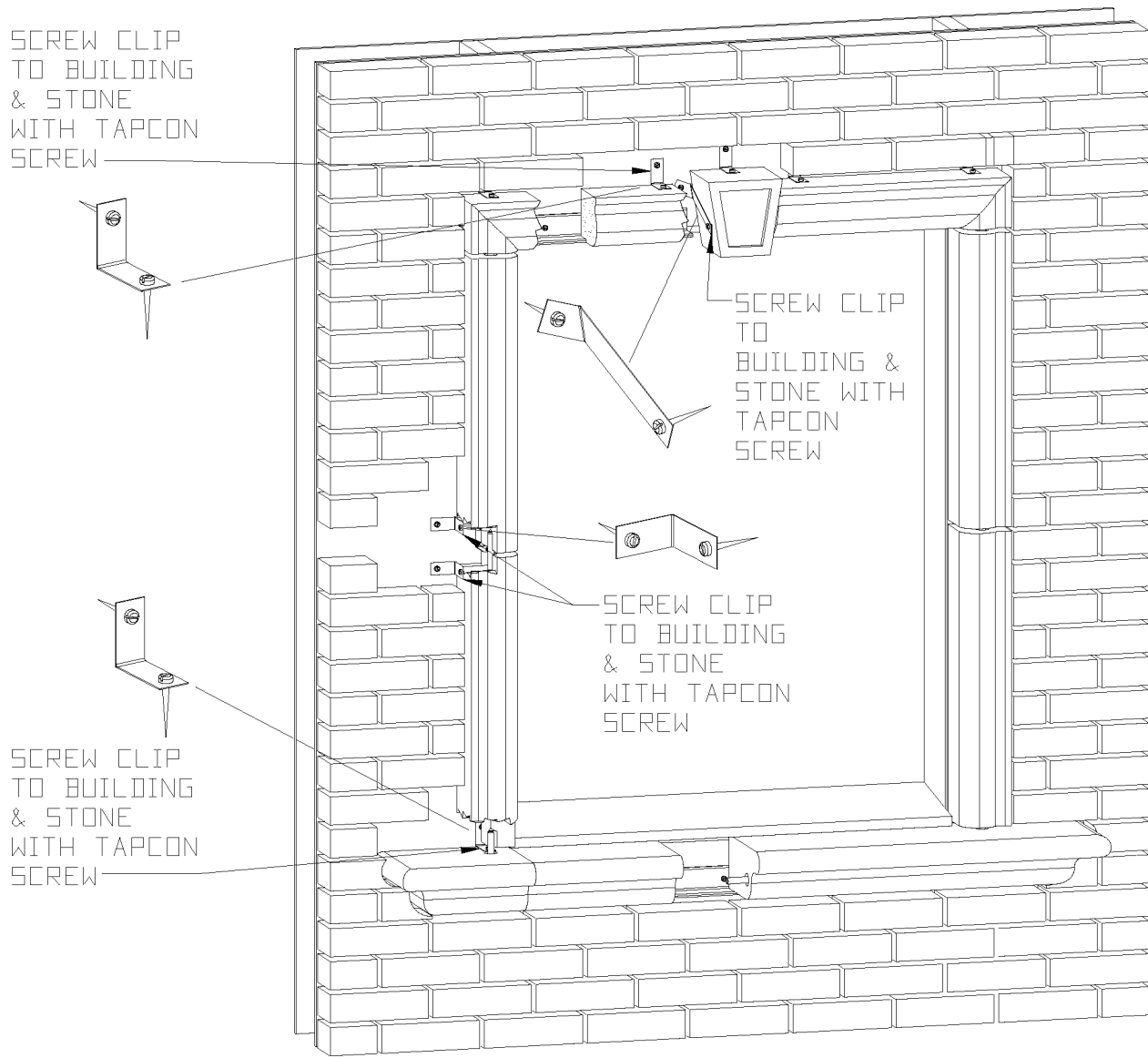


NOTE: SILL SITS ON TOP OF LINTEL. LINTEL IS ONLY REQUIRED IN A STONE FIRST ASSEMBLY. NO STONE CUTTING REQUIRED



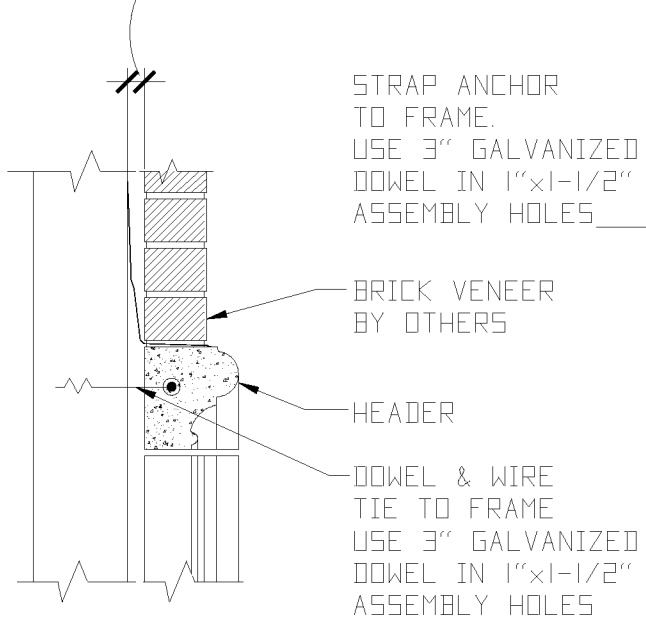
1 ATTACHMENT OF WINDOW SURROUND TO BRICK WITH LINTEL AND SCREWS

NOTE: THE REQUIREMENTS FOR ATTACHING STONE TO STRUCTURES, VARIES BETWEEN DIFFERENT STATES. A CERTIFIED ENGINEER MUST DETERMINE THE BEST METHOD FOR ATTACHING THE STONE TO THE STRUCTURE IN YOUR AREA. CSCS IS NOT RESPONSIBLE FOR PROVIDING INFORMATION ON HOW TO ATTACH STONE TO A STRUCTURE AND CAN ONLY PROVIDE INFORMATION AND SUGGESTED METHODS TO AID THE BUILDER/MASON TO ATTACH THE STONE. THESE SUGGESTED METHODS ARE WELL KNOWN AND HAVE BEEN USED THROUGHOUT THE INDUSTRY.

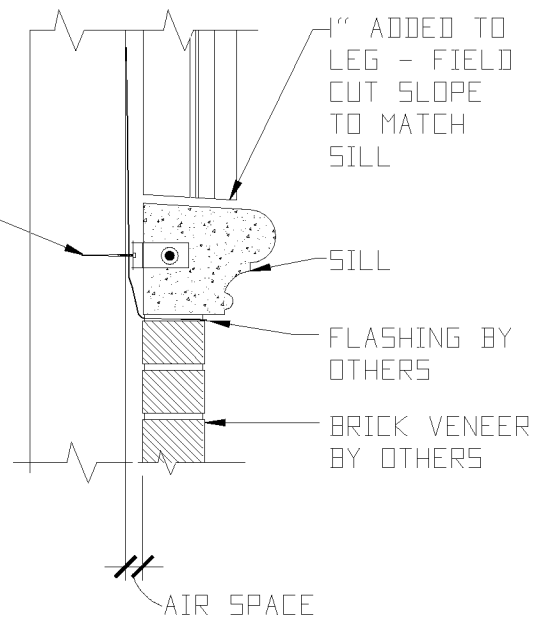


1 ATTACHMENT OF WINDOW SURROUND TO BRICK
WITH CUSTOM STRAP, & I-WAY STRAP, & SCREW

AIR SPACE



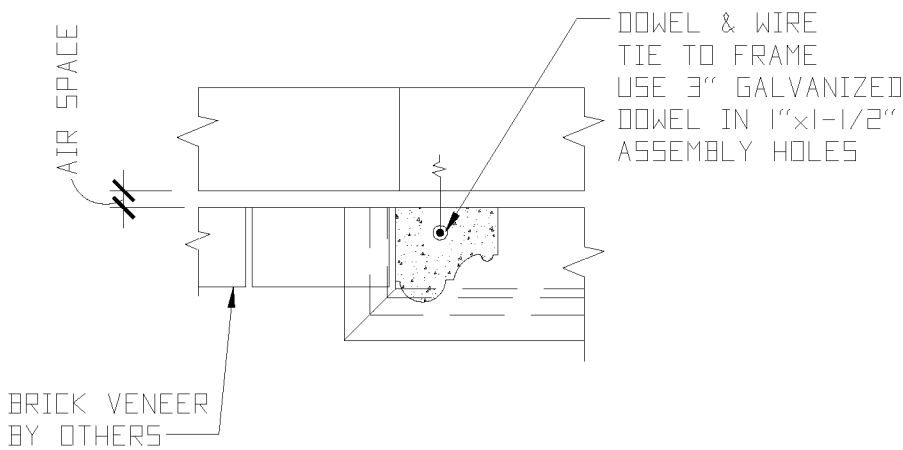
SECTION AT HEADER



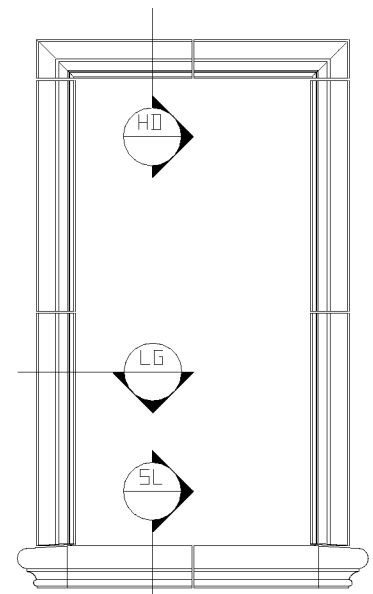
SECTION AT SILL

ATTACHMENT DRAWINGS HAVE BEEN INCLUDED AS SUGGESTED INSTALLATION DETAILS ONLY; ALL ATTACHMENTS, STEEL SIZES, GAUGE THICKNESS, AND ANCHOR SIZES SHOULD BE CALCULATED BY A STRUCTURAL ENGINEER; STONE LEGENDS IS NOT LIABLE FOR INSTALLATION OF ANY KIND

AIR SPACE

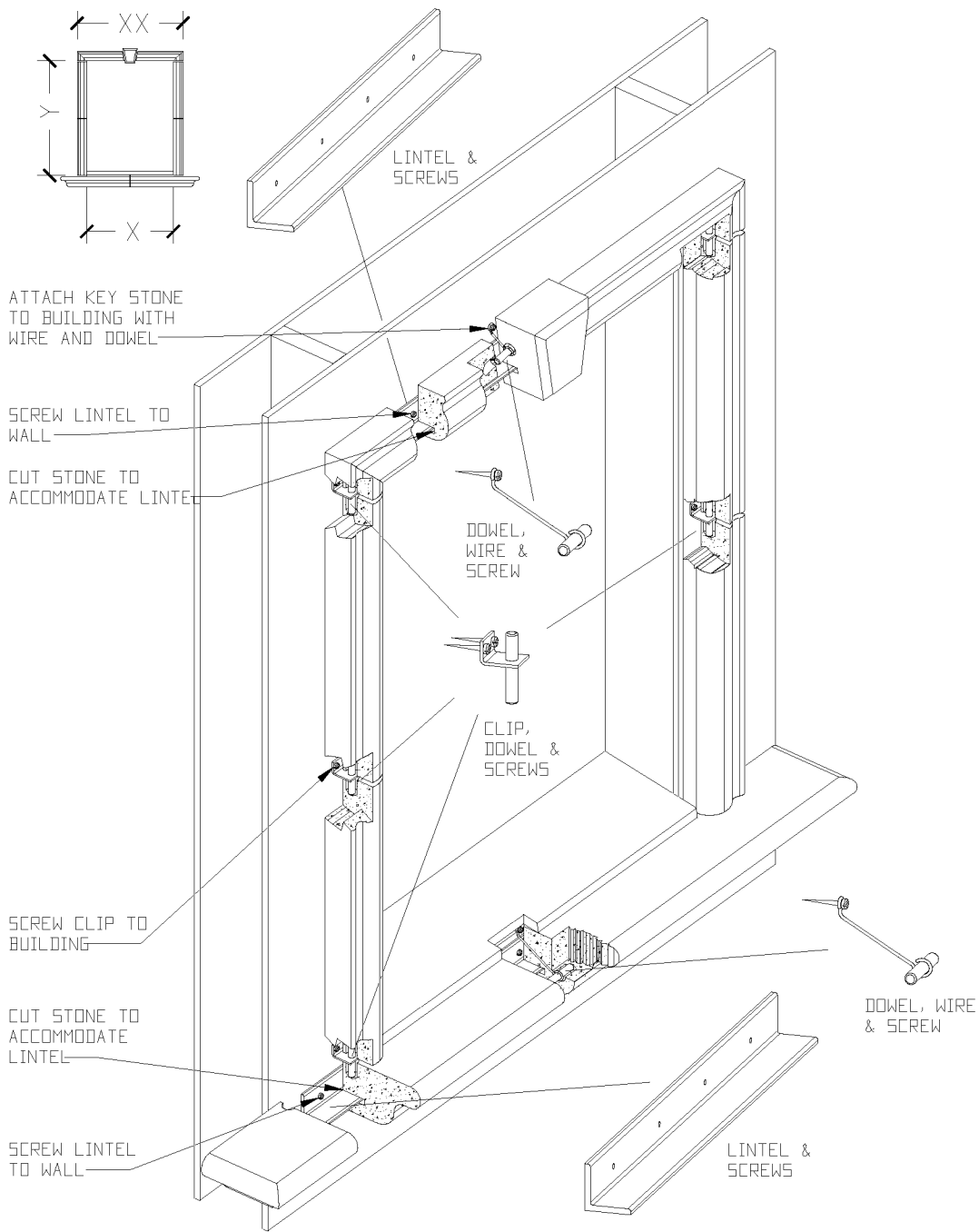


SECTION AT LEG



FRONT VIEW

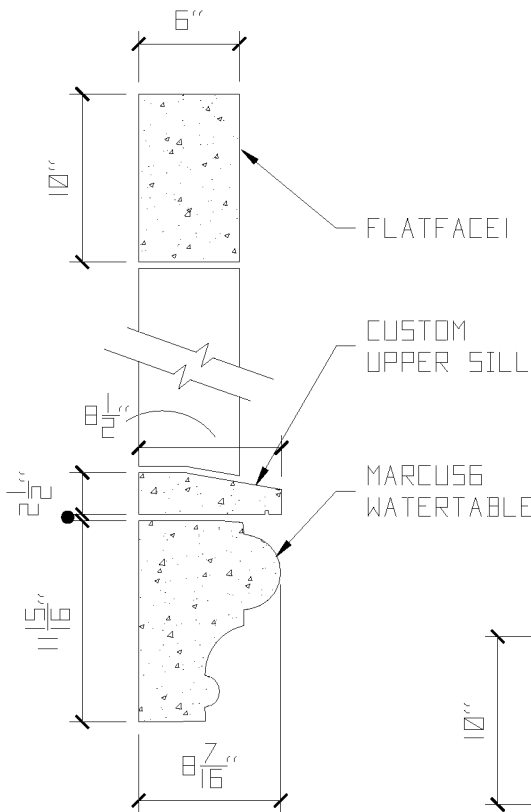
1 ATTACHMENT OF WINDOW SURROUND TO WOOD WITH FLASHING AND STRAP AND DOWEL AND WIRE



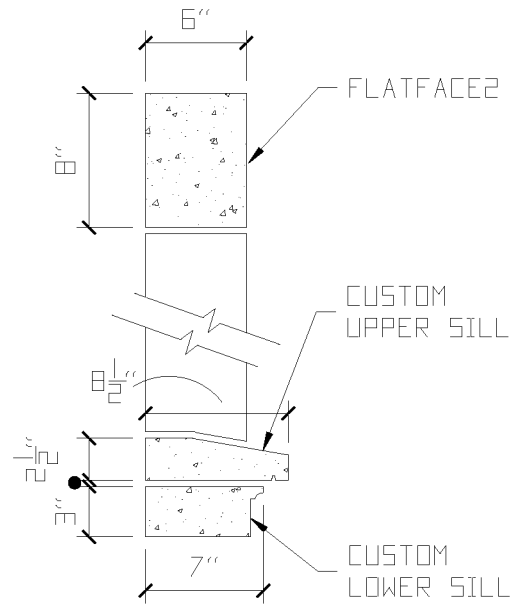
① ATTACHMENT OF WINDOW SURROUND TO WOOD WITH LINTEL & SCREWS & I-WAY STRAP & DOWEL & WIRE

N.T.S.

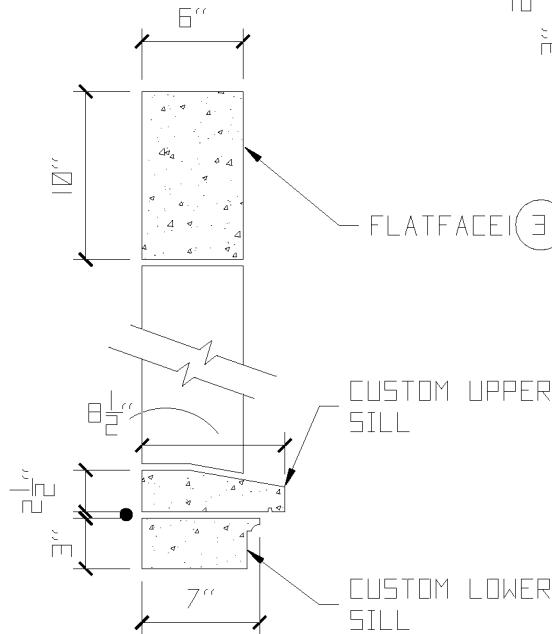
TYPICAL CROSS SECTIONS



① TYPICAL SECTION
 FLATFACE - HEADER
 CUSTOM UPPER SILL
 MARCUS6 - WATERTABLE



③ TYPICAL SECTION
 FLATFACE - SURROUND
 CUSTOM UPPER SILL
 CUSTOM LOWER SILL



② TYPICAL SECTION
 FLATFACE - HEADER
 CUSTOM UPPER SILL
 CUSTOM LOWER SILL

—●— = 3/8" M.J.

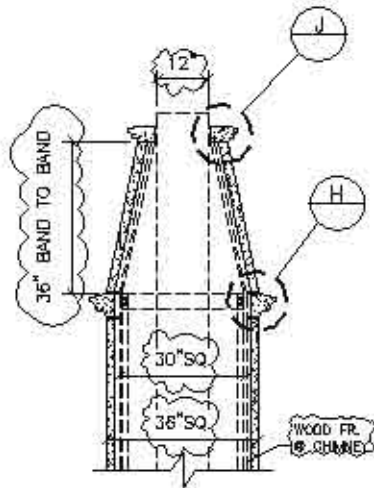
SCALE: 1" = 1'-0"

UNITS	AREA	BLUE DOT UNIT INTERFACE	TITLE: TYPICAL CROSS SECTIONS
C	Wsr	DRAWING DETAIL	MultiViews
D	Wsr	DESCRIPTION:	TYPICAL CROSS SECTIONS
E	Wsr	NOTES:	
F	Wsr		
G	Wsr	PROJECT:	Arxeh Residence
K	Wsr	CLIENT:	REA Development
L	Wsr		BLUE DOT #: 2
M	Wsr		JOB #: 7457
			PROD DETAIL #: 14673
			RELEASED DATE: 1/10/01
			DRAWING #: N-1 REV: 0

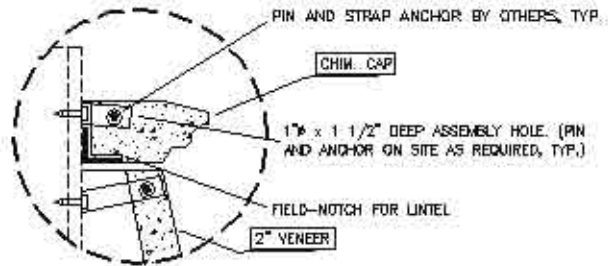
STONE LEGENDS

301 Pleasant Drive - Dallas, TX 75217
 TEL: (800) 398-1199 - FAX: (214) 398-1293

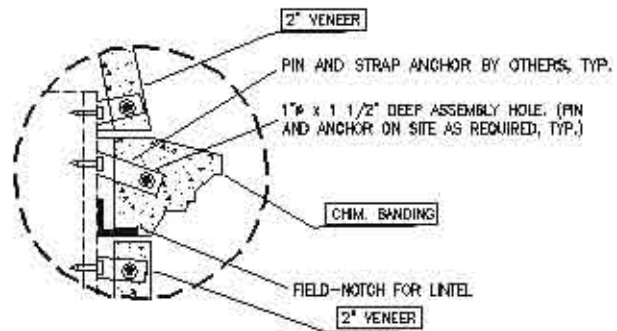
NOTE: PLEASE VERIFY DIMS. & COMPOSITION OF CHIM. STRUCTURE.



7 SECTION
SCALE: 1/4" = 1'-0"

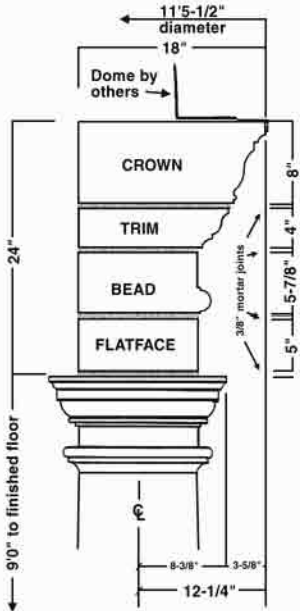


J CHIMNEY & VENEER PANELS
SCALE: 1" = 1'-0"



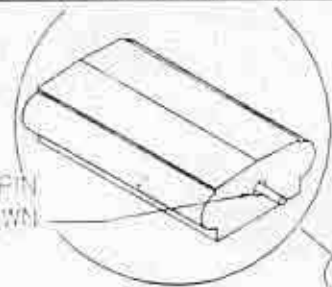
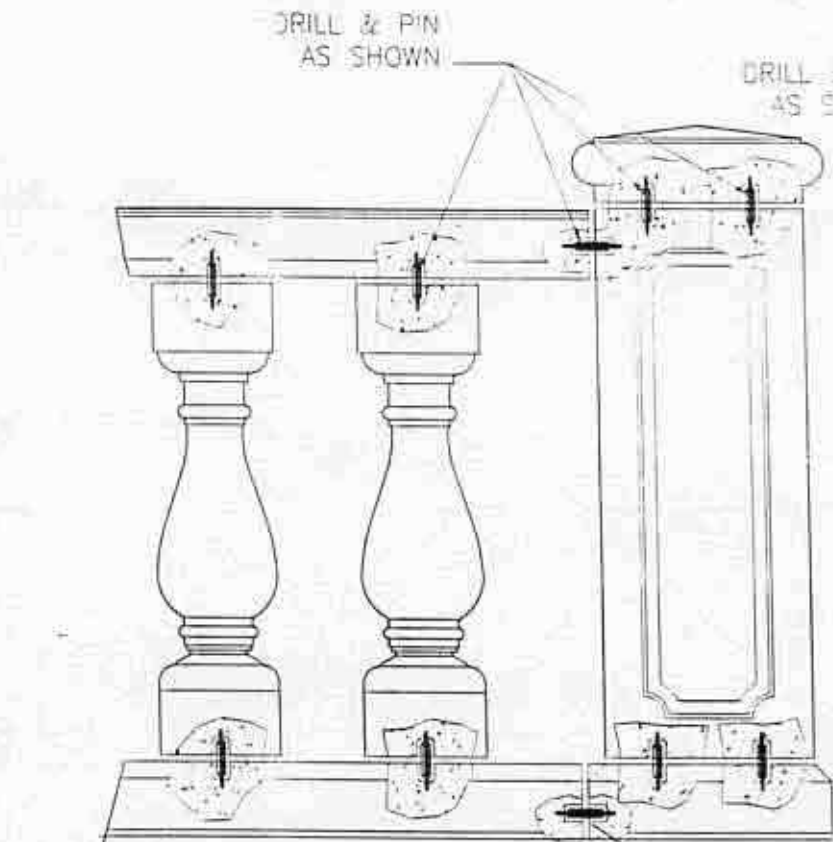
H CHIMNEY & VENEER PANELS
SCALE: 1" = 1'-0"

NOTE: PLEASE VERIFY ALL CLOUDED DIMENSIONS.

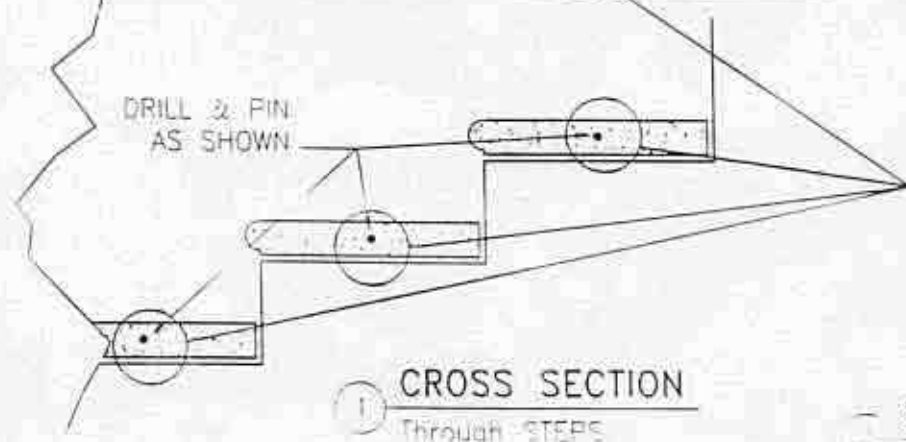
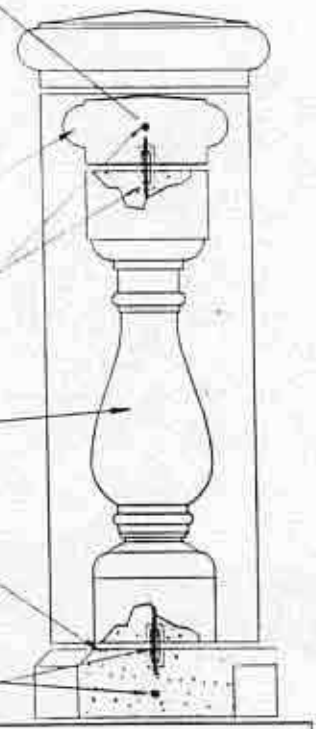


NOTE:
 BASE RAIL TO BE CUT
 1" SHORTER THAN HANDRAIL
 @ NEWEL BASE INTERSECTION

How to assemble Balustrade and steps with Pins.
 Stone Legends Filestore ID 120040



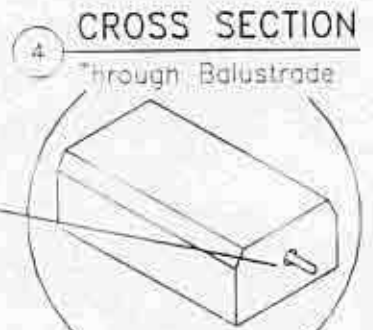
3 ISO VIEW
 HANDRAIL -
 DRILL & PIN AS SHOWN



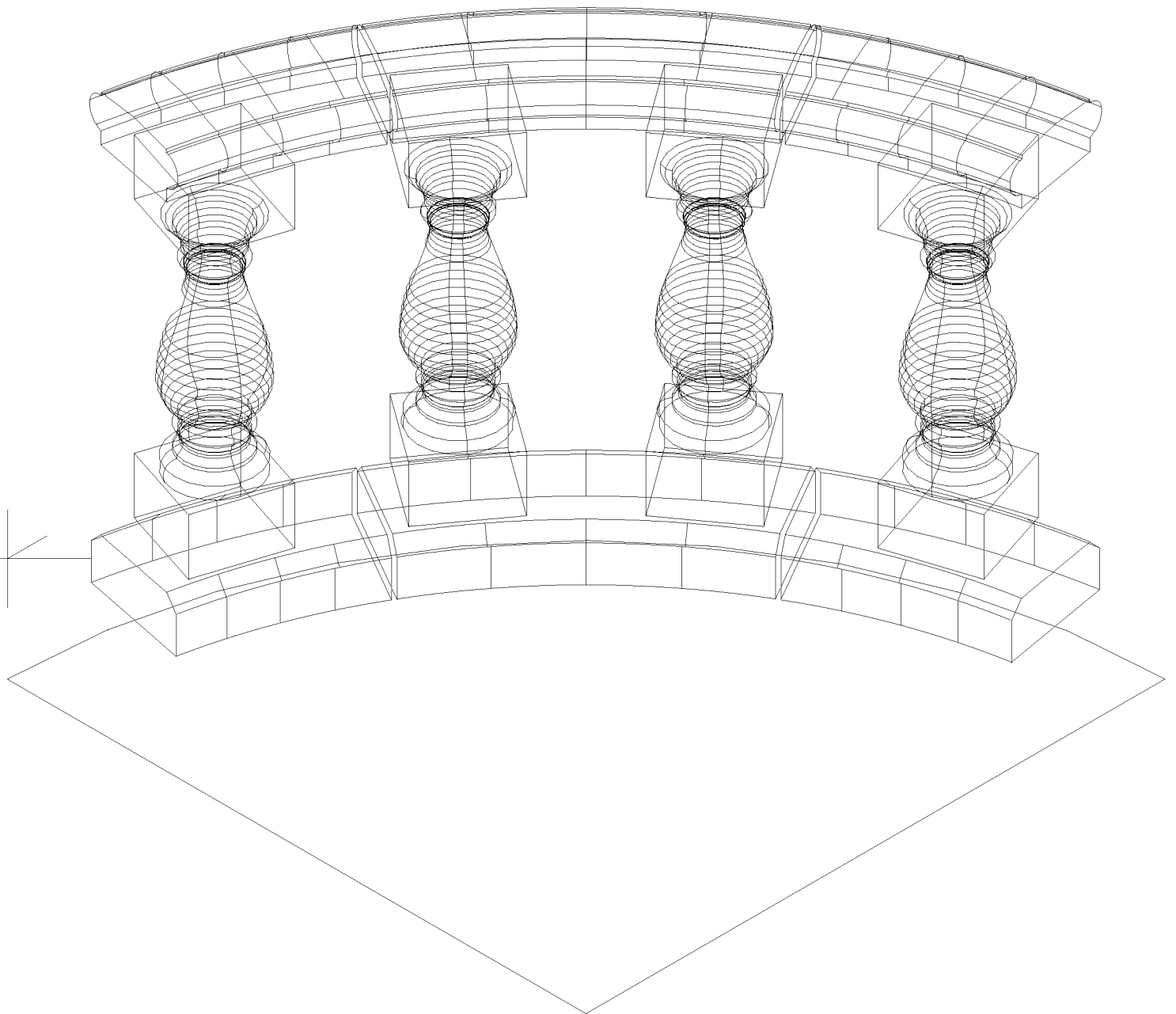
1 CROSS SECTION
 Through STEPS



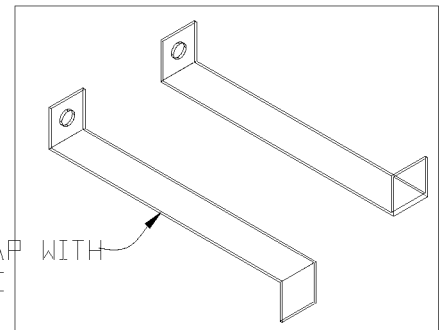
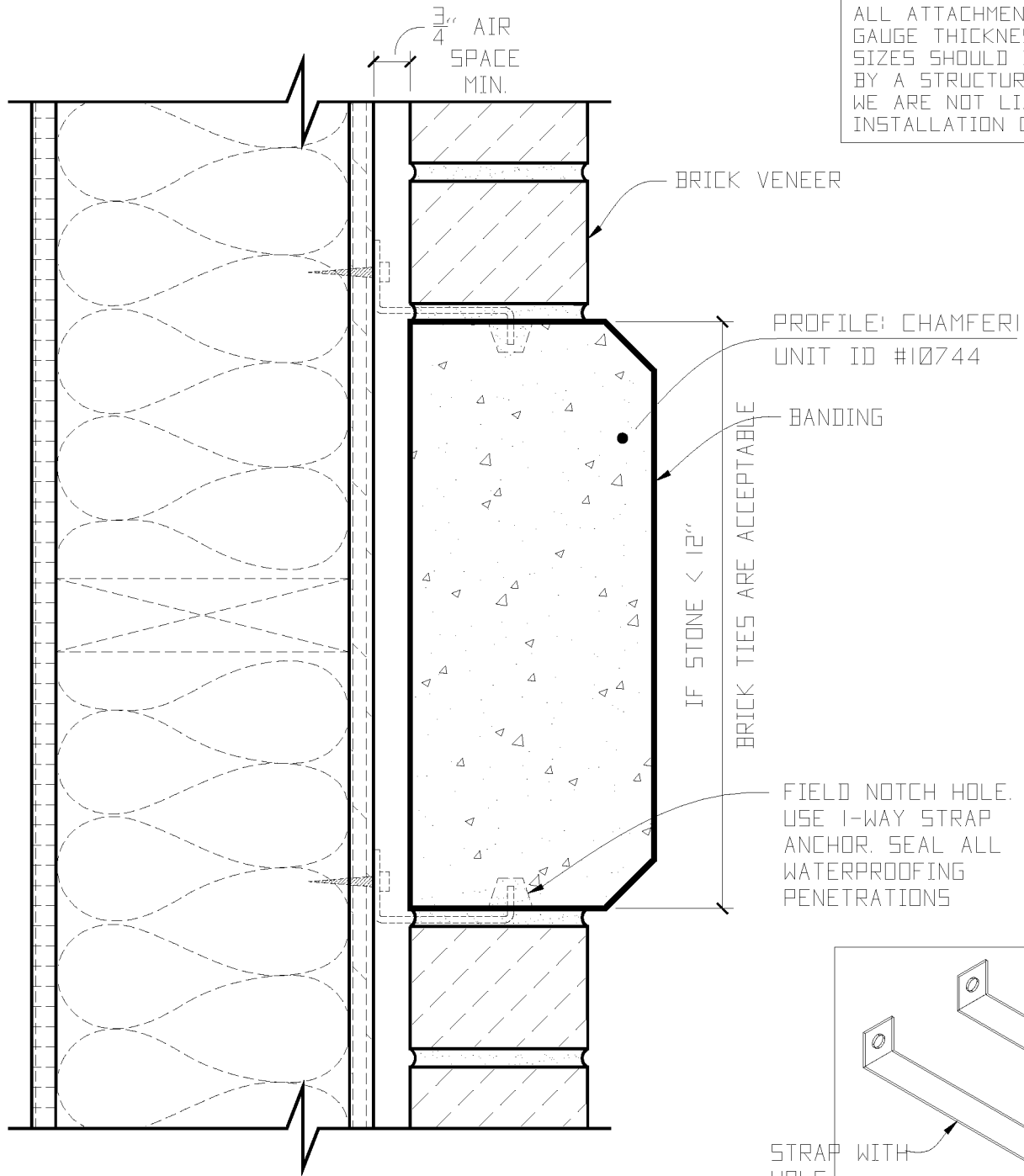
STEEL PIN



4 CROSS SECTION
 Through Balustrade
 ISO VIEW



THESE DRAWINGS ARE SUGGESTED
INSTALLATION DETAILS ONLY;
ALL ATTACHMENTS, STEEL SIZES,
GAUGE THICKNESS, AND ANCHOR
SIZES SHOULD BE CALCULATED
BY A STRUCTURAL ENGINEER;
WE ARE NOT LIABLE FOR
INSTALLATION OF ANY KIND



1 ATTACHMENT OF BANDING TO BRICK
WITH 1-WAY CLIP ANCHOR

2 1-WAY CLIP DETAIL
GALVANIZED OR BETTER

STD 3/8" MORTAR JOINT

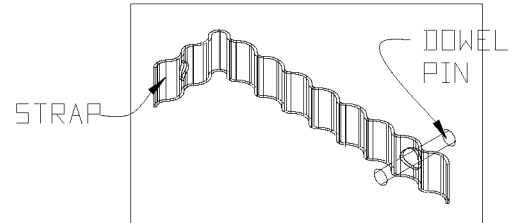
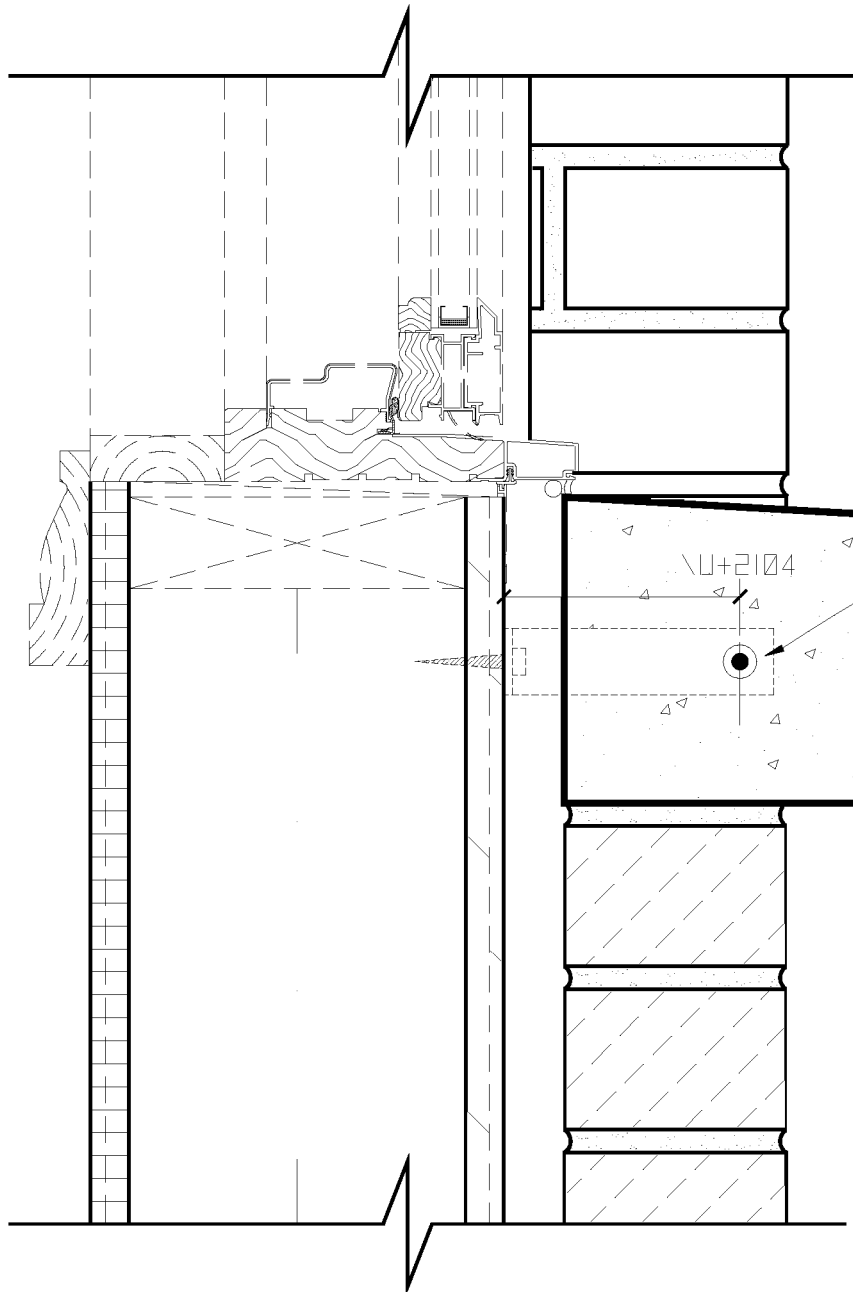
SCALE: N.T.S.

STONE LEGENDS

301 Pleasant Drive - Dallas, TX 75217
Voice (214) 398-0999 - Fax (214) 398-1293
Visit our website at www.stonelegends.com

CLIENT:
PROJECT:

THESE DRAWINGS ARE SUGGESTED INSTALLATION DETAILS ONLY; ALL ATTACHMENTS, STEEL SIZES, GAUGE THICKNESS, AND ANCHOR SIZES SHOULD BE CALCULATED BY A STRUCTURAL ENGINEER; WE ARE NOT LIABLE FOR INSTALLATION OF ANY KIND



2 STRAP & DOWEL DETAIL
GALVANIZED OR BETTER

FIELD DRILLED HOLE
W/PIN & STRAP
ANCHOR. SEAL ALL
WATERPROOFING
PENETRATIONS

PROFILE: BOLSON2A
UNIT ID #10302

1 ATTACHMENT OF CAST STONE SILL TO
WITH PIN & STRAP BRICK

TYPICAL USES:
SILL & MID-LINE BANDING

STD 3/8" MORTAR JOINT

SCALE: N.T.S.

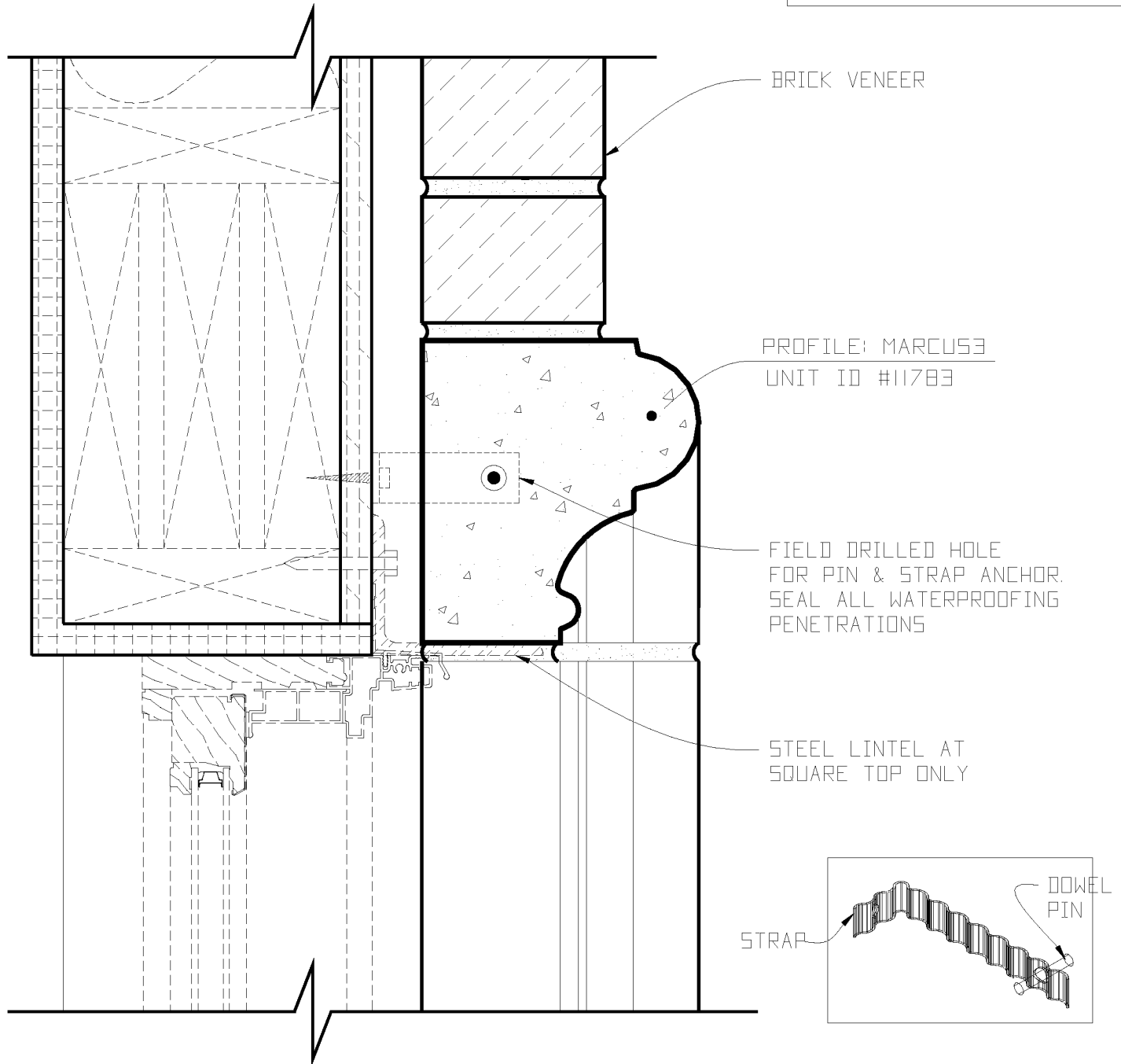
STONE LEGENDS

301 Pleasant Drive - Dallas, TX 75217
Voice (214) 398-0999 - Fax (214) 398-1293
Visit our website at www.stonelegends.com

CLIENT:

PROJECT:

THESE DRAWINGS ARE SUGGESTED
INSTALLATION DETAILS ONLY;
ALL ATTACHMENTS, STEEL SIZES,
GAUGE THICKNESS, AND ANCHOR
SIZES SHOULD BE CALCULATED
BY A STRUCTURAL ENGINEER;
WE ARE NOT LIABLE FOR
INSTALLATION OF ANY KIND



1 ATTACHMENT OF HEADER TO BRICK
WITH STRAP & DOWEL PIN

2 STRAP & DOWEL DETAIL
GALVANIZED OR BETTER

TYPICAL USES:
DOOR & WINDOW HEADER

STD 3/8" MORTAR JOINT

SCALE: N.T.S.

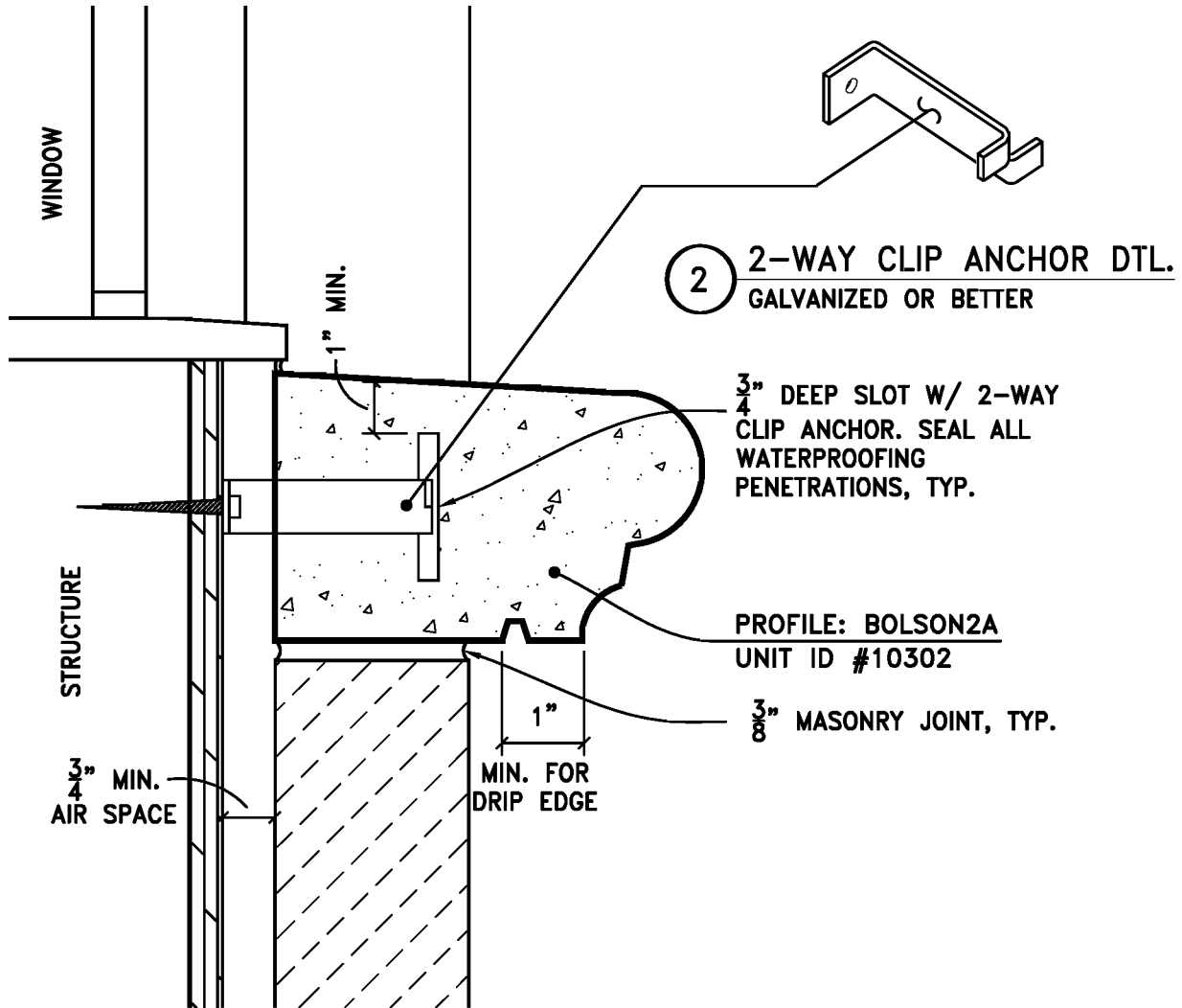
STONE LEGENDS

301 Pleasant Drive - Dallas, TX 75217
Voice (214) 398-0999 - Fax (214) 398-1293
Visit our website at www.stonelegends.com

CLIENT:

PROJECT:

THESE DRAWINGS ARE SUGGESTED
INSTALLATION DETAILS ONLY;
ALL ATTACHMENTS, STEEL SIZES,
GAUGE THICKNESS, AND ANCHOR
SIZES SHOULD BE CALCULATED
BY A STRUCTURAL ENGINEER;
WE ARE NOT LIABLE FOR
INSTALLATION OF ANY KIND



1 CAST STONE SILL ATTACHMENT AT MASONRY VENEER
WITH 2-WAY CLIP ANCHOR

TYPICAL USES:
SILL & MID-LINE BANDING

STD 3/8" MORTAR JOINT

SCALE: N.T.S.

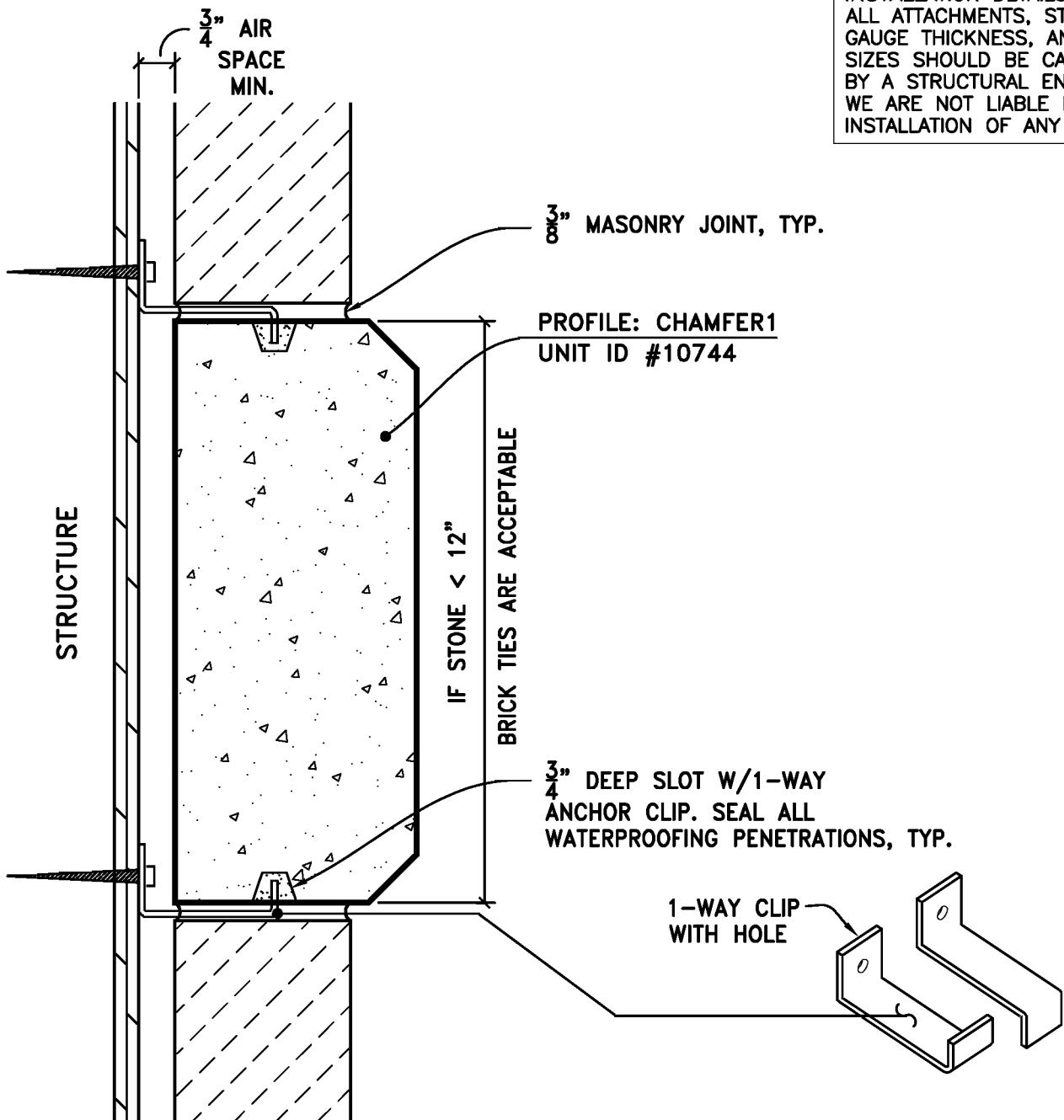
STONE LEGENDS

301 Pleasant Drive - Dallas, TX 75217
Voice (214) 398-0999 - Fax (214) 398-1293
Visit our website at www.stonelegends.com

CLIENT:

PROJECT:

THESE DRAWINGS ARE SUGGESTED
 INSTALLATION DETAILS ONLY;
 ALL ATTACHMENTS, STEEL SIZES,
 GAUGE THICKNESS, AND ANCHOR
 SIZES SHOULD BE CALCULATED
 BY A STRUCTURAL ENGINEER;
 WE ARE NOT LIABLE FOR
 INSTALLATION OF ANY KIND



2 1-WAY CLIP DTL.
 GALVANIZED OR BETTER

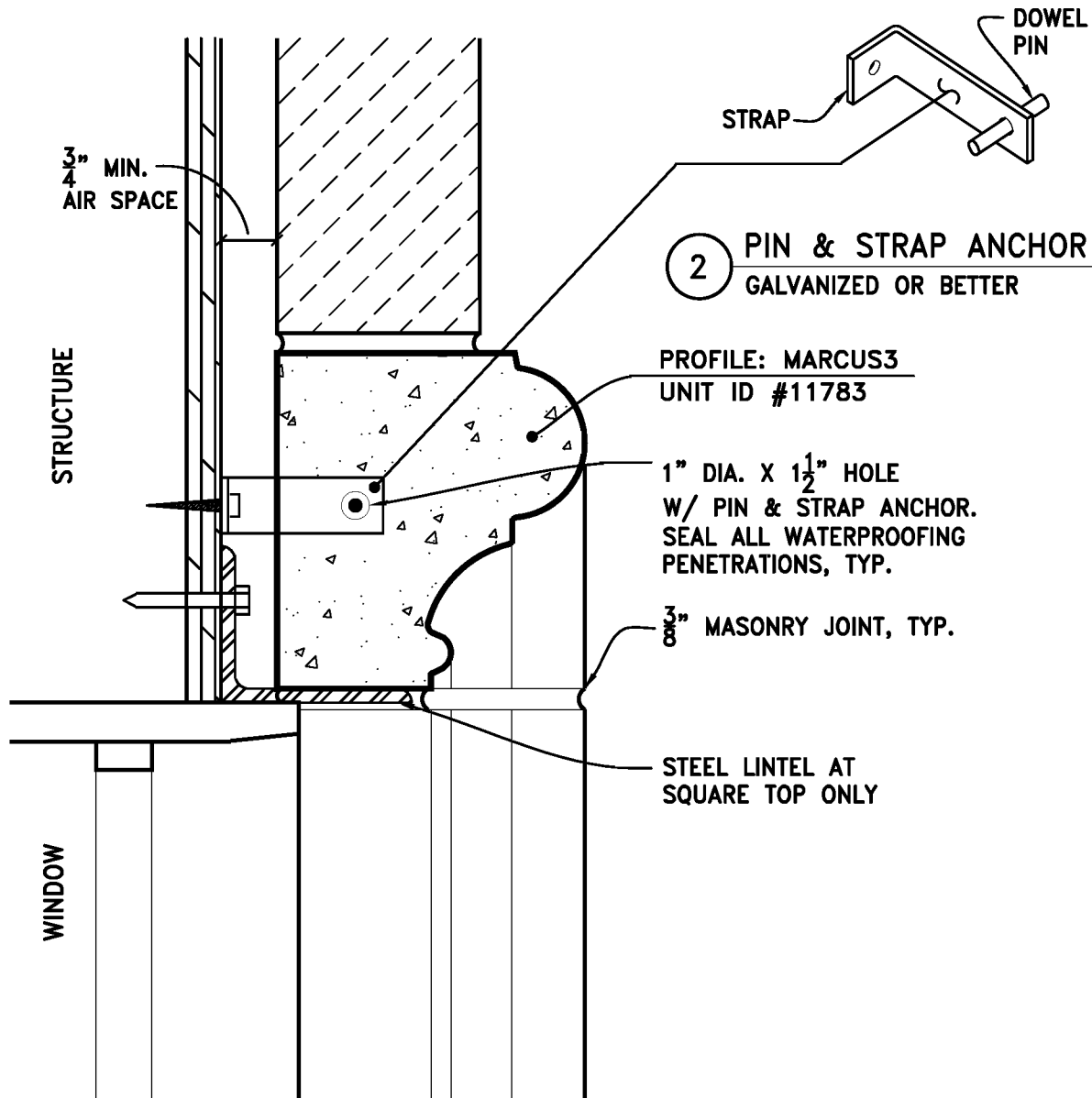
1 CAST STONE BANDING ATTACHMENT AT MASONRY VENEER
 WITH 1-WAY CLIP ANCHOR

TYPICAL USES:
 FOR BANDING
 OVER 12" TALL

STD 3/8" MORTAR JOINT SCALE: N.T.S.

STONE LEGENDS

THESE DRAWINGS ARE SUGGESTED
INSTALLATION DETAILS ONLY;
ALL ATTACHMENTS, STEEL SIZES,
GAUGE THICKNESS, AND ANCHOR
SIZES SHOULD BE CALCULATED
BY A STRUCTURAL ENGINEER;
WE ARE NOT LIABLE FOR
INSTALLATION OF ANY KIND



2 PIN & STRAP ANCHOR DTL.
GALVANIZED OR BETTER

PROFILE: MARCUS3
UNIT ID #11783

1" DIA. X 1/2" HOLE
W/ PIN & STRAP ANCHOR.
SEAL ALL WATERPROOFING
PENETRATIONS, TYP.

3/8" MASONRY JOINT, TYP.

STEEL LINTEL AT
SQUARE TOP ONLY

1 CAST STONE HEADER ATTACHMENT AT MASONRY VENEER
WITH PIN & STRAP ANCHORS

TYPICAL USES:
DOOR & WINDOW HEADER

STD 3/8" MORTAR JOINT

SCALE: N.T.S.

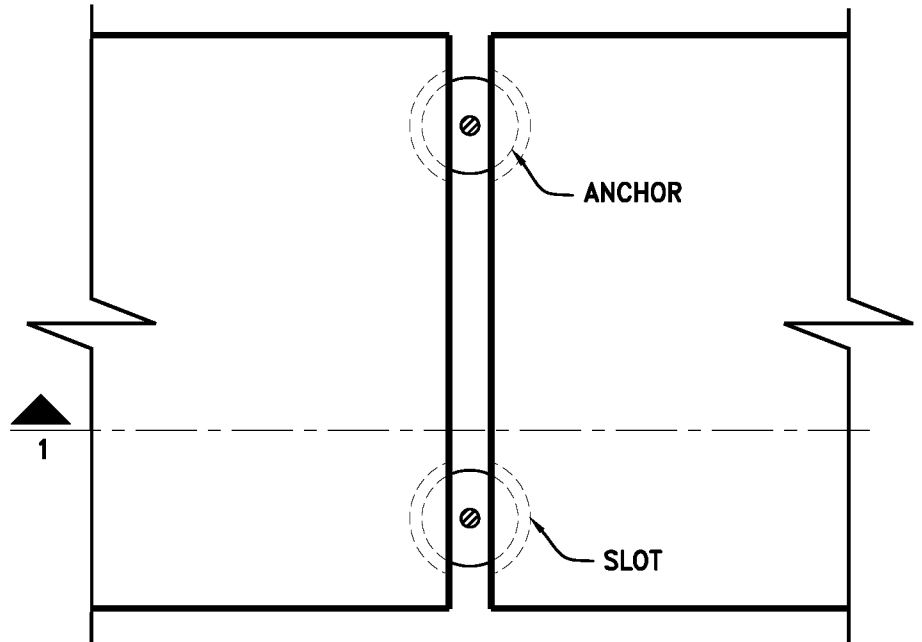
STONE LEGENDS

301 Pleasant Drive - Dallas, TX 75217
Voice (214) 398-0999 - Fax (214) 398-1293
Visit our website at www.stonelegends.com

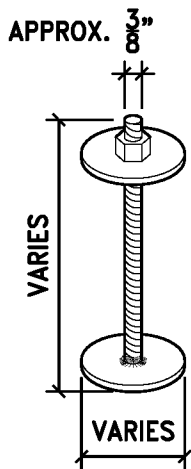
CLIENT:

PROJECT:

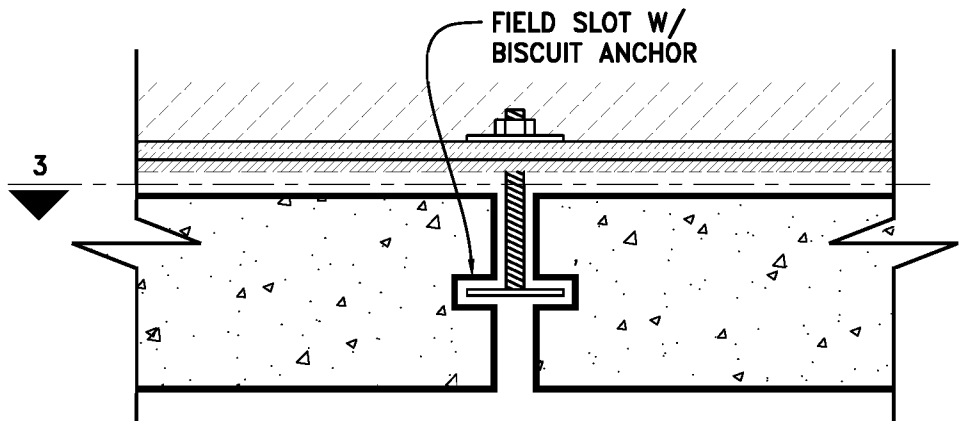
THESE DRAWINGS ARE SUGGESTED INSTALLATION DETAILS ONLY; ALL ATTACHMENTS, STEEL SIZES, GAUGE THICKNESS, AND ANCHOR SIZES SHOULD BE CALCULATED BY A STRUCTURAL ENGINEER; WE ARE NOT LIABLE FOR INSTALLATION OF ANY KIND



3 HORIZONTAL SECTION



2 BISCUIT ANCHOR DETAIL GALV. OR BETTER



1 CAST STONE SOFFIT ATTACHMENT AT STRUCTURE WITH BISCUIT ANCHOR

TYPICAL USES:
DOOR & WINDOW HEADER
ENTRIES AND ENTABLATURE

STD 3/8" MORTAR JOINT

SCALE: N.T.S.

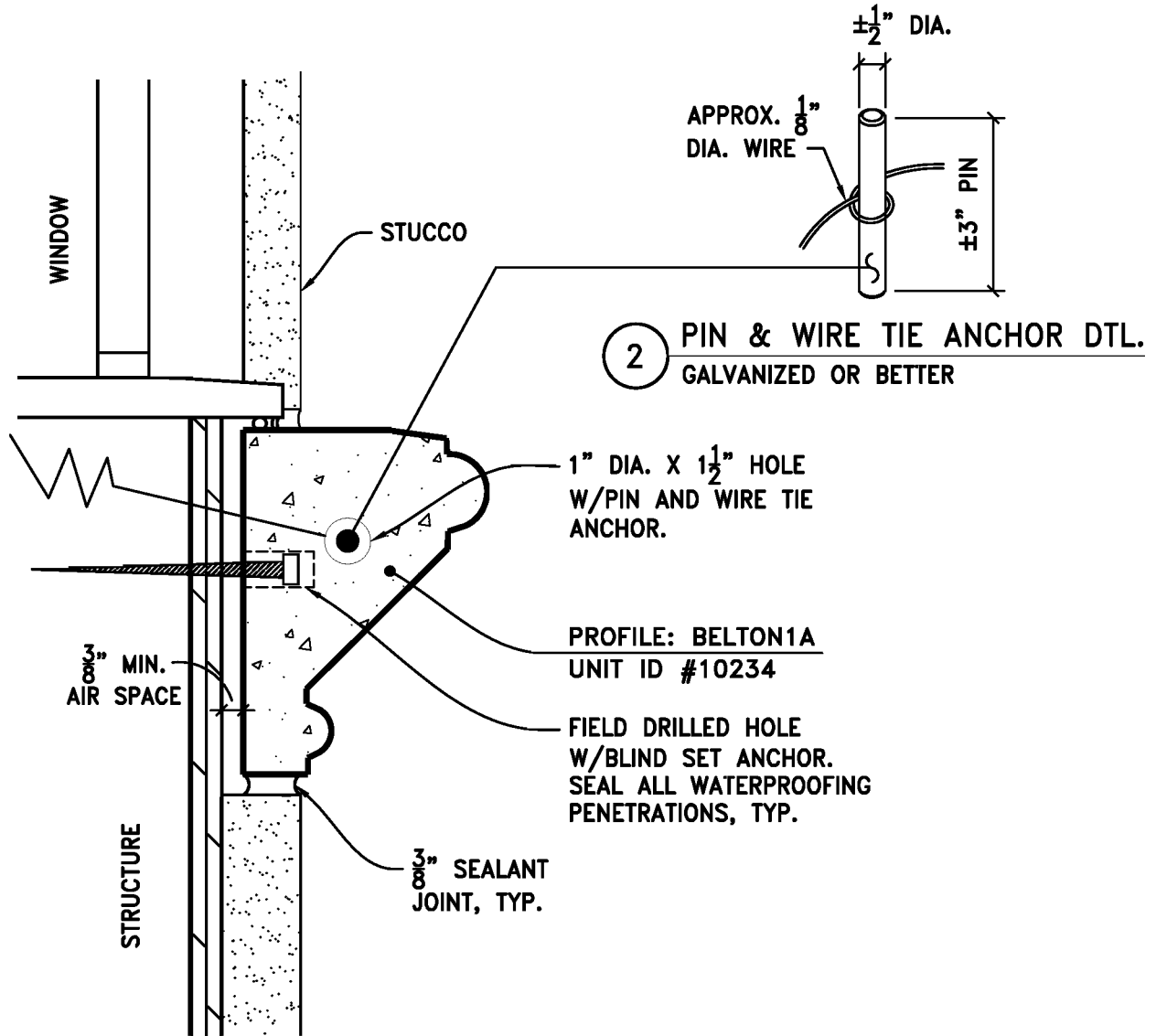
STONE LEGENDS

301 Pleasant Drive - Dallas, TX 75217
Voice (214) 398-0999 - Fax (214) 398-1293
Visit our website at www.stonelegends.com

CLIENT:

PROJECT:

THESE DRAWINGS ARE SUGGESTED
INSTALLATION DETAILS ONLY;
ALL ATTACHMENTS, STEEL SIZES,
GAUGE THICKNESS, AND ANCHOR
SIZES SHOULD BE CALCULATED
BY A STRUCTURAL ENGINEER;
WE ARE NOT LIABLE FOR
INSTALLATION OF ANY KIND



1 CAST STONE SILL ATTACHMENT AT STUCCO
WITH PIN & WIRE TIE AND BLIND SET ANCHOR

TYPICAL USES:
SILL & MID-LINE BANDING

STD 3/8" MORTAR JOINT

SCALE: N.T.S.

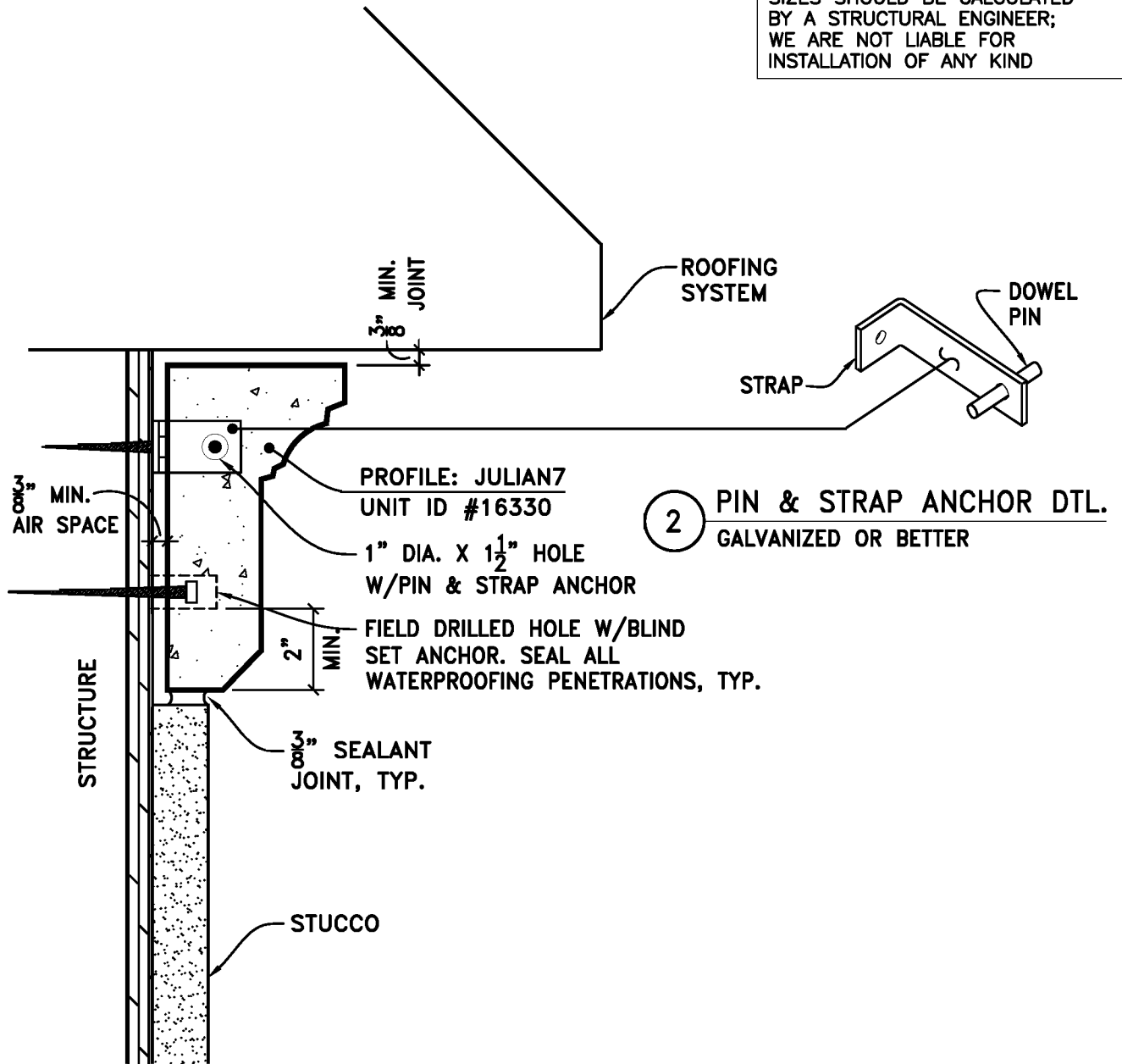
STONE LEGENDS

301 Pleasant Drive - Dallas, TX 75217
Voice (214) 398-0999 - Fax (214) 398-1293
Visit our website at www.stonelegends.com

CLIENT:

PROJECT:

THESE DRAWINGS ARE SUGGESTED
INSTALLATION DETAILS ONLY;
ALL ATTACHMENTS, STEEL SIZES,
GAUGE THICKNESS, AND ANCHOR
SIZES SHOULD BE CALCULATED
BY A STRUCTURAL ENGINEER;
WE ARE NOT LIABLE FOR
INSTALLATION OF ANY KIND



2 PIN & STRAP ANCHOR DTL.
GALVANIZED OR BETTER

1 CAST STONE CORNICE ATTACHMENT AT STUCCO
WITH PIN & STRAP AND BLIND SET ANCHORS

STD 3/8" MORTAR JOINT

SCALE: N.T.S.

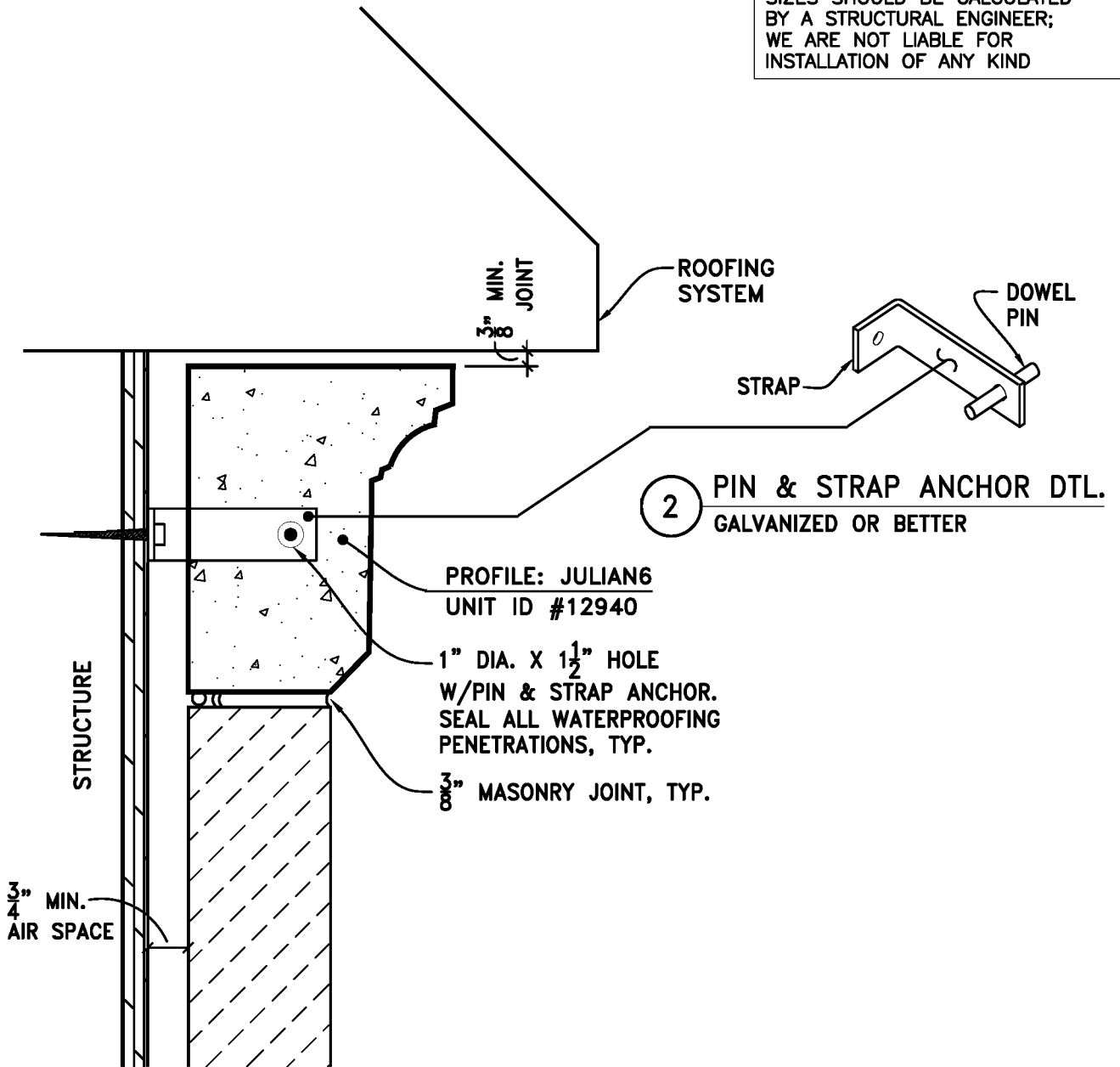
STONE LEGENDS

301 Pleasant Drive - Dallas, TX 75217
Voice (214) 398-0999 - Fax (214) 398-1293
Visit our website at www.stonelegends.com

CLIENT:

PROJECT:

THESE DRAWINGS ARE SUGGESTED INSTALLATION DETAILS ONLY; ALL ATTACHMENTS, STEEL SIZES, GAUGE THICKNESS, AND ANCHOR SIZES SHOULD BE CALCULATED BY A STRUCTURAL ENGINEER; WE ARE NOT LIABLE FOR INSTALLATION OF ANY KIND



2 PIN & STRAP ANCHOR DTL. GALVANIZED OR BETTER

1 CAST STONE CORNICE ATTACHMENT AT MASONRY VENEER WITH PIN & STRAP ANCHOR

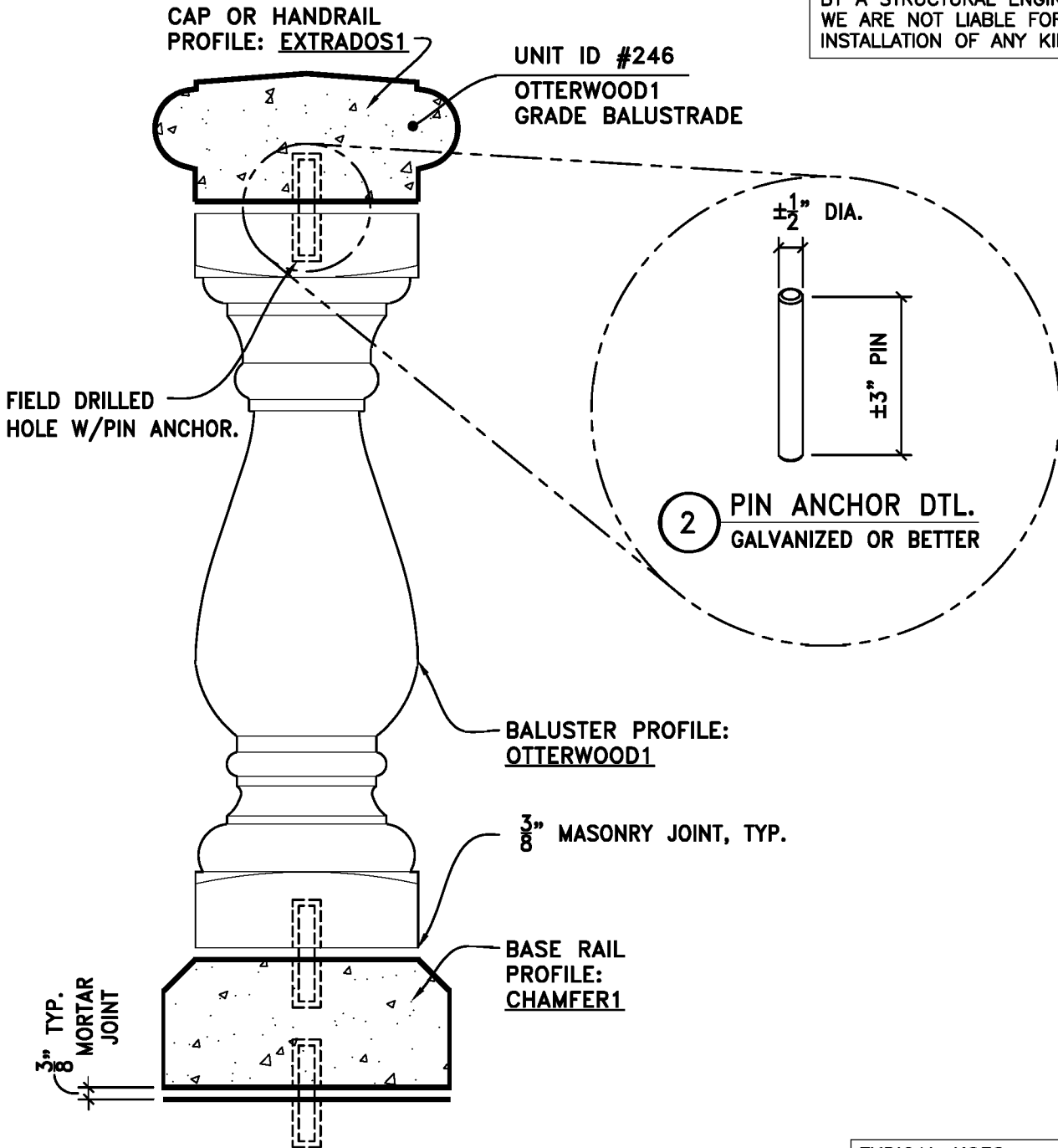
STD 3/8" MORTAR JOINT SCALE: N.T.S.

STONE LEGENDS

301 Pleasant Drive - Dallas, TX 75217
Voice (214) 398-0999 - Fax (214) 398-1293
Visit our website at www.stonelegends.com

CLIENT:
PROJECT:

THESE DRAWINGS ARE SUGGESTED INSTALLATION DETAILS ONLY; ALL ATTACHMENTS, STEEL SIZES, GAUGE THICKNESS, AND ANCHOR SIZES SHOULD BE CALCULATED BY A STRUCTURAL ENGINEER; WE ARE NOT LIABLE FOR INSTALLATION OF ANY KIND



1 CAST STONE BALUSTRADE ATTACHMENT WITH PIN ANCHORS

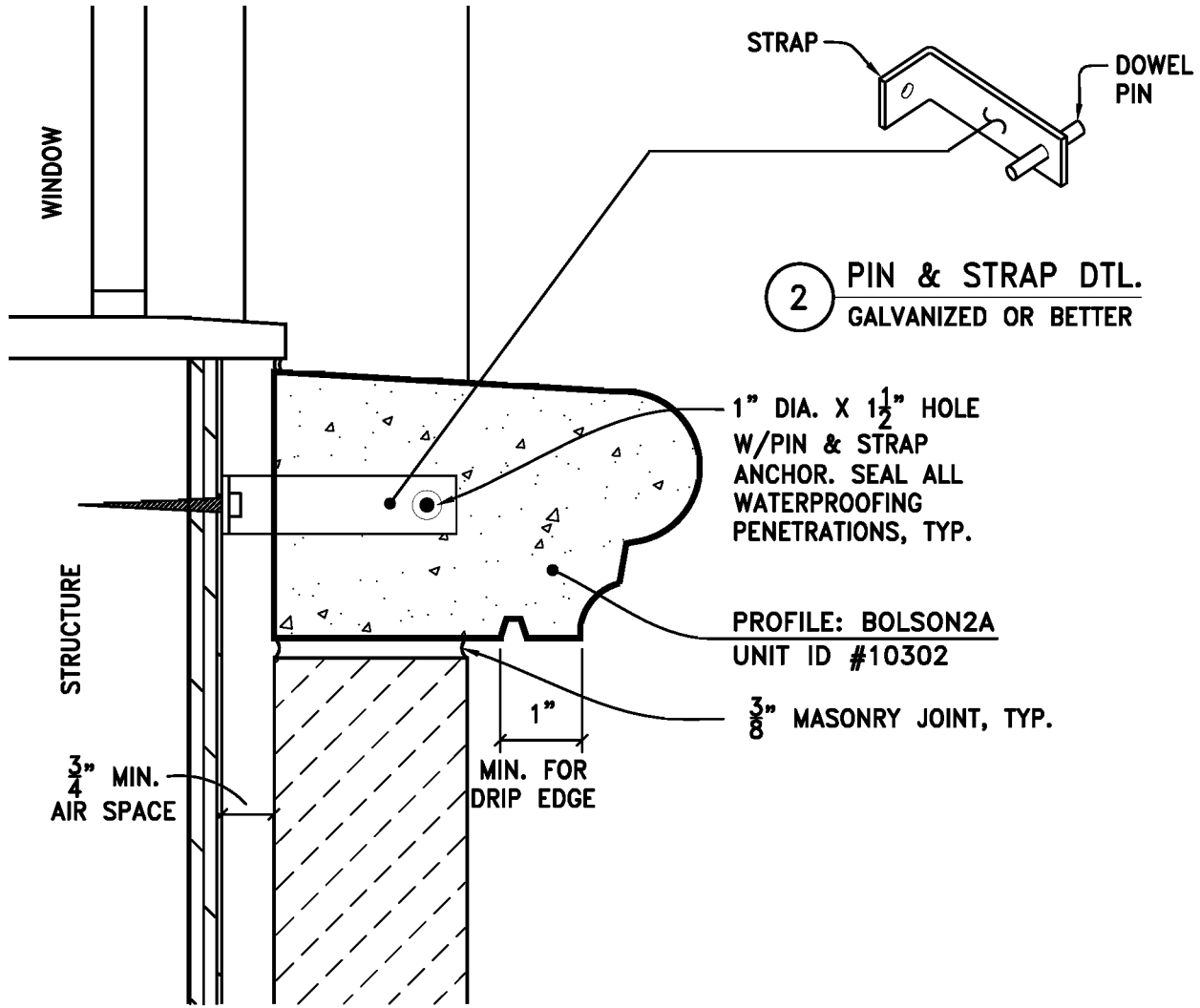
TYPICAL USES: PATIOS, LANDSCAPE WALLS, BALCONY, AND STAIRS

STD 3/8" MORTAR JOINT

SCALE: N.T.S.

STONE LEGENDS

THESE DRAWINGS ARE SUGGESTED
INSTALLATION DETAILS ONLY;
ALL ATTACHMENTS, STEEL SIZES,
GAUGE THICKNESS, AND ANCHOR
SIZES SHOULD BE CALCULATED
BY A STRUCTURAL ENGINEER;
WE ARE NOT LIABLE FOR
INSTALLATION OF ANY KIND



2 PIN & STRAP DTL.
GALVANIZED OR BETTER

1 CAST STONE SILL ATTACHMENT AT MASONRY VENEER
WITH PIN & STRAP ANCHOR

TYPICAL USES:
SILL & MID-LINE BANDING

STD 3/8" MORTAR JOINT

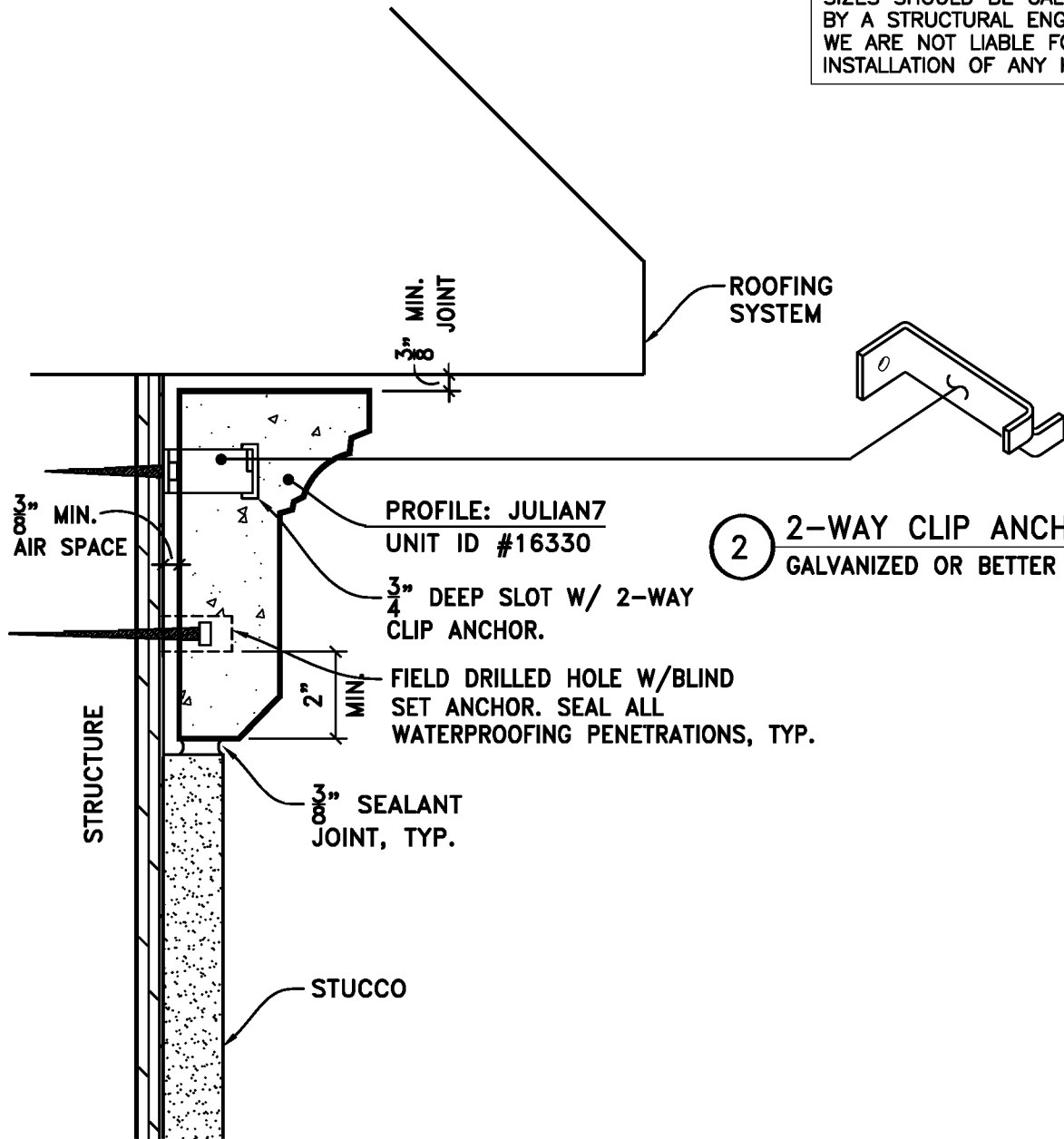
SCALE: N.T.S.

STONE LEGENDS

301 Pleasant Drive - Dallas, TX 75217
Voice (214) 398-0999 - Fax (214) 398-1293
Visit our website at www.stonelegends.com

CLIENT:
PROJECT:

THESE DRAWINGS ARE SUGGESTED
INSTALLATION DETAILS ONLY;
ALL ATTACHMENTS, STEEL SIZES,
GAUGE THICKNESS, AND ANCHOR
SIZES SHOULD BE CALCULATED
BY A STRUCTURAL ENGINEER;
WE ARE NOT LIABLE FOR
INSTALLATION OF ANY KIND



2 2-WAY CLIP ANCHOR DTL.
GALVANIZED OR BETTER

1 CAST STONE CORNICE ATTACHMENT AT STUCCO
WITH 2-WAY CLIP ANCHOR AND BLIND SET ANCHORS

STD 3/8" MORTAR JOINT

SCALE: N.T.S.

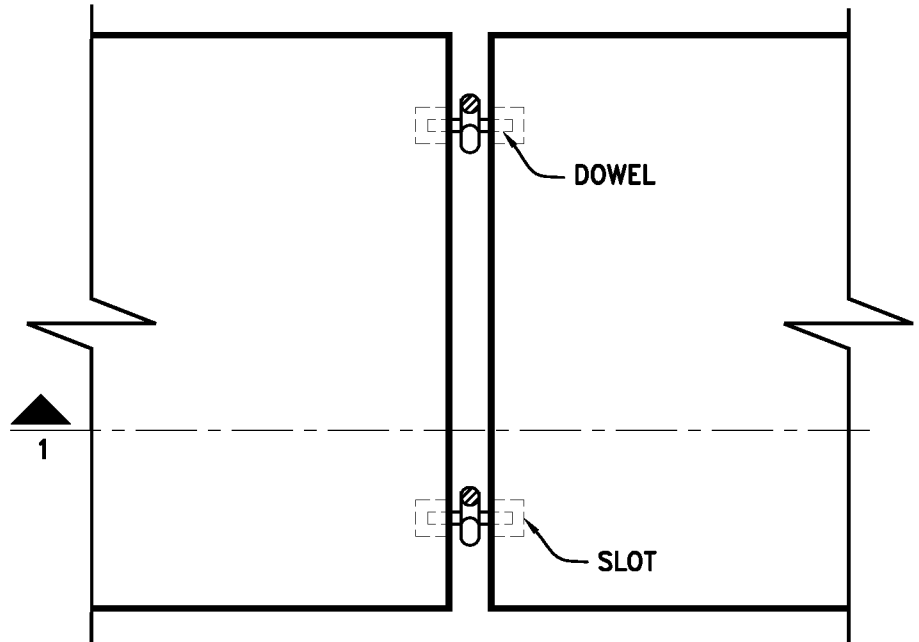
STONE LEGENDS

301 Pleasant Drive - Dallas, TX 75217
Voice (214) 398-0999 - Fax (214) 398-1293
Visit our website at www.stonelegends.com

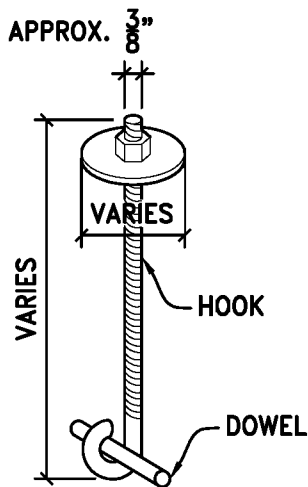
CLIENT:

PROJECT:

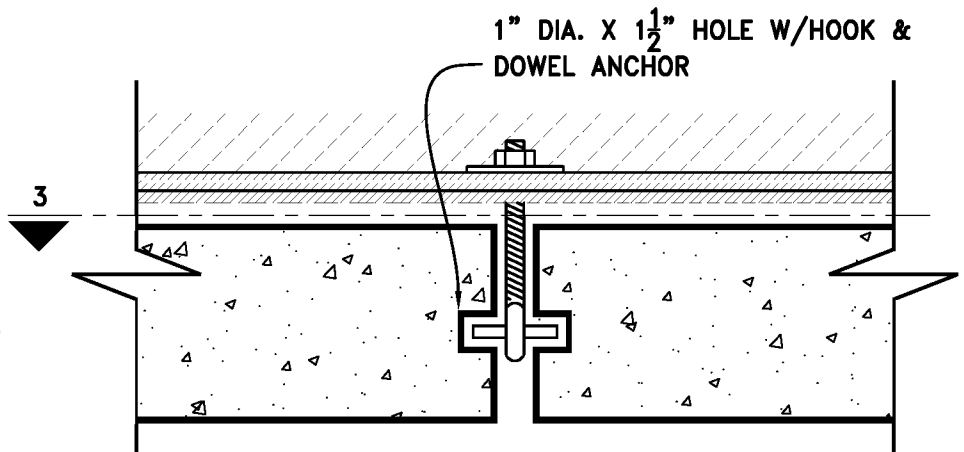
THESE DRAWINGS ARE SUGGESTED INSTALLATION DETAILS ONLY; ALL ATTACHMENTS, STEEL SIZES, GAUGE THICKNESS, AND ANCHOR SIZES SHOULD BE CALCULATED BY A STRUCTURAL ENGINEER; WE ARE NOT LIABLE FOR INSTALLATION OF ANY KIND



3 HORIZONTAL SECTION



2 HOOK & DOWEL DETAIL GALV. OR BETTER



1 CAST STONE SOFFIT ATTACHMENT AT STRUCTURE WITH HOOK & DOWEL ANCHOR

TYPICAL USES:
DOOR & WINDOW HEADER
ENTRIES AND ENTABLATURE

STD 3/8" MORTAR JOINT

SCALE: N.T.S.

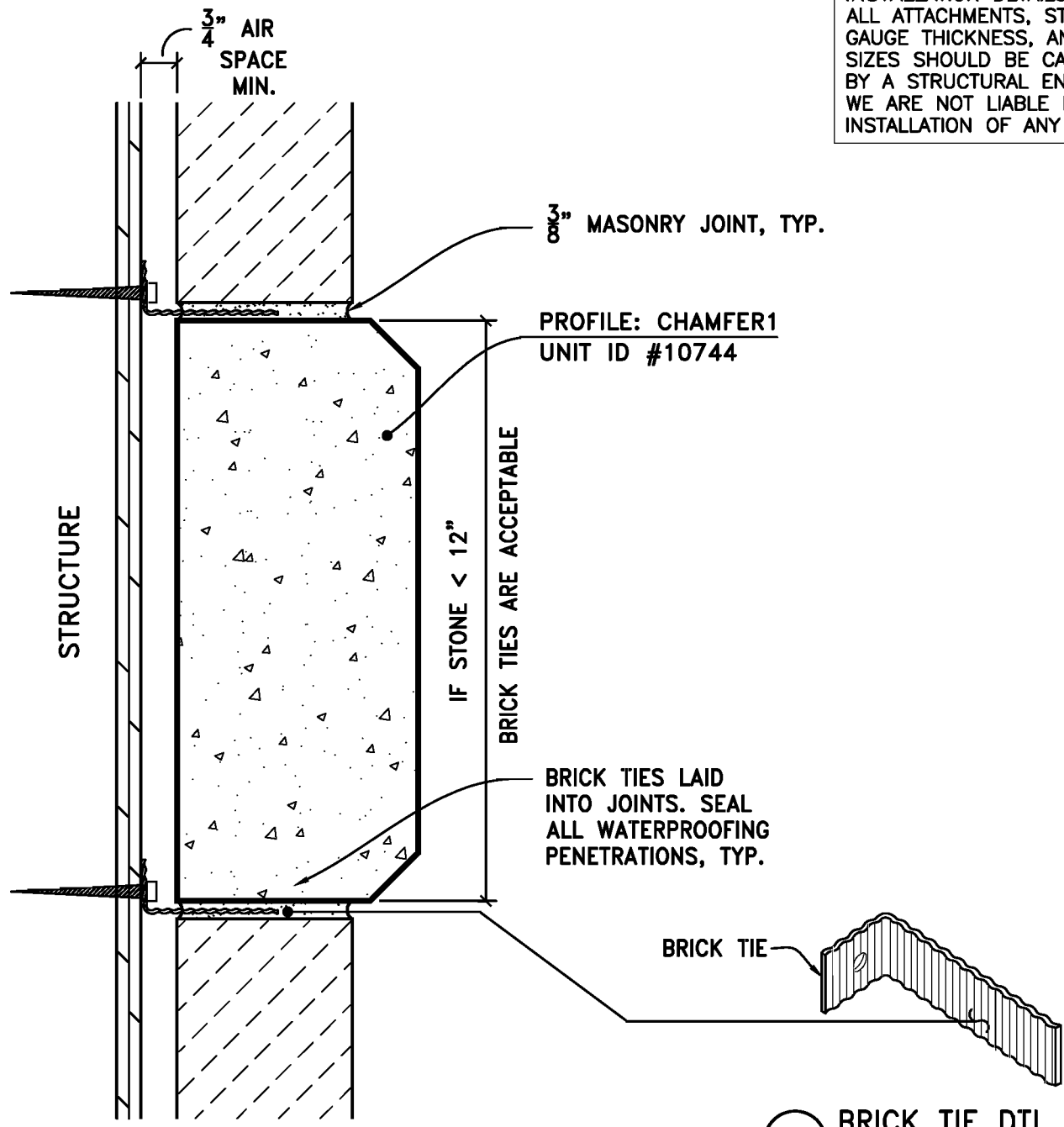
STONE LEGENDS

301 Pleasant Drive - Dallas, TX 75217
Voice (214) 398-0999 - Fax (214) 398-1293
Visit our website at www.stonelegends.com

CLIENT:

PROJECT:

THESE DRAWINGS ARE SUGGESTED
INSTALLATION DETAILS ONLY;
ALL ATTACHMENTS, STEEL SIZES,
GAUGE THICKNESS, AND ANCHOR
SIZES SHOULD BE CALCULATED
BY A STRUCTURAL ENGINEER;
WE ARE NOT LIABLE FOR
INSTALLATION OF ANY KIND



2 BRICK TIE DTL.
GALVANIZED OR BETTER

1 CAST STONE BANDING ATTACHMENT AT MASONRY VENEER
WITH BRICK TIE

STD 3/8" MORTAR JOINT

SCALE: N.T.S.

STONE LEGENDS

301 Pleasant Drive - Dallas, TX 75217
Voice (214) 398-0999 - Fax (214) 398-1293
Visit our website at www.stonelegends.com

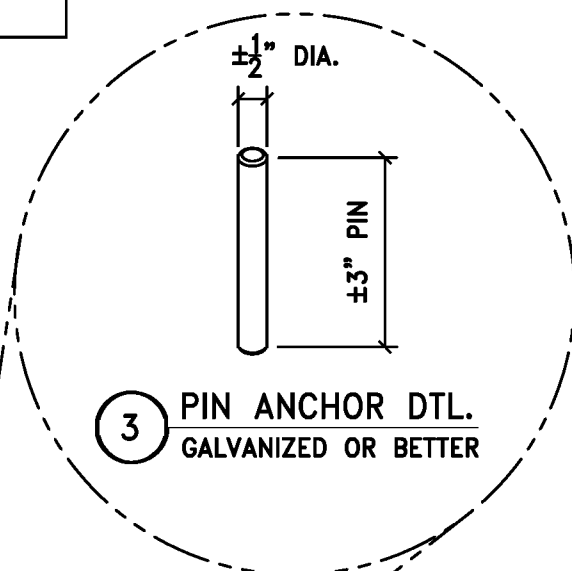
CLIENT:
PROJECT:

BALL CODE TO BE VERIFIED BY CUSTOMER TO MEET THEIR LOCAL REQUIREMENTS

HANDRAIL & BASERAIL SUPPLIED 25% LONGER TO ACCOMMODATE SLOPE OF STAIR

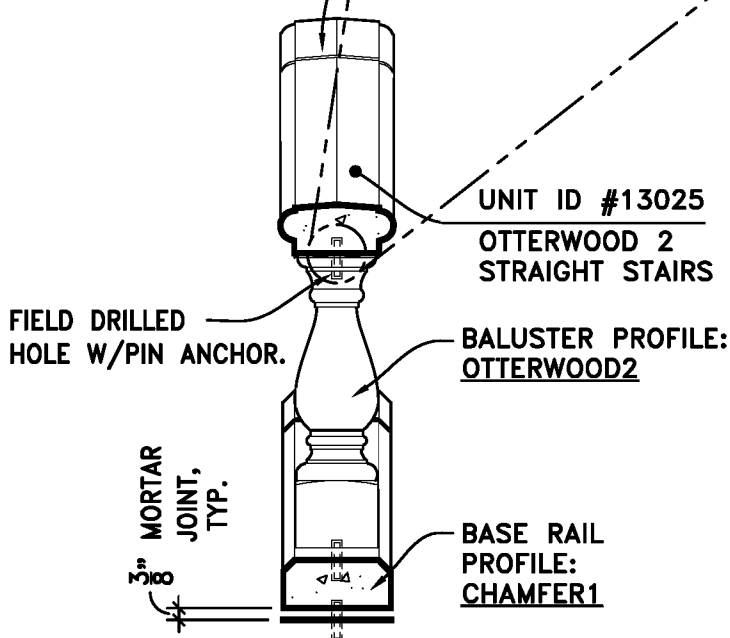
BALUSTER LUGS FIELD CUT TO ACCOMMODATE ACTUAL SLOPE AND HEIGHT REQUIREMENTS

THESE DRAWINGS ARE SUGGESTED INSTALLATION DETAILS ONLY; ALL ATTACHMENTS, STEEL SIZES, GAUGE THICKNESS, AND ANCHOR SIZES SHOULD BE CALCULATED BY A STRUCTURAL ENGINEER; WE ARE NOT LIABLE FOR INSTALLATION OF ANY KIND

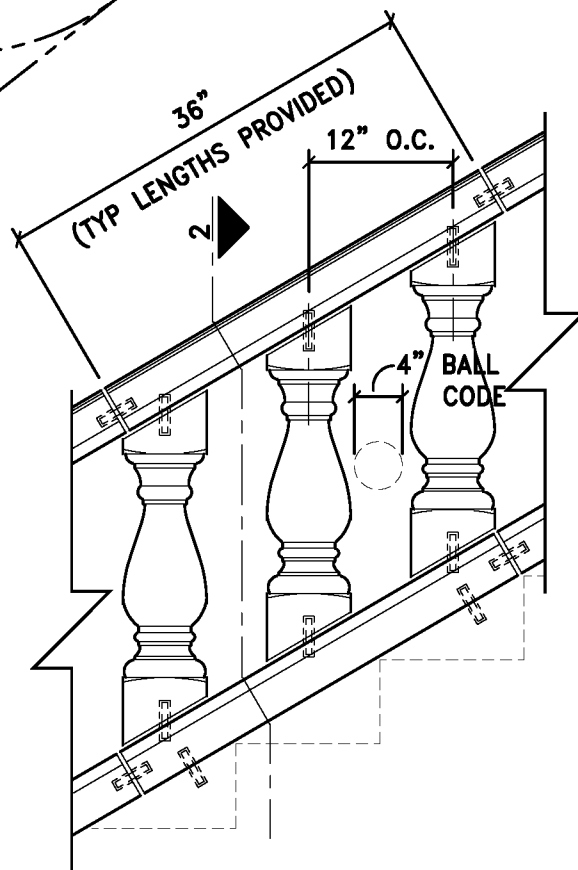


3 PIN ANCHOR DTL. GALVANIZED OR BETTER

CAP OR HANDRAIL PROFILE: EXTRADOS1



2 VERTICAL SECTION



1 CAST STONE BALUSTRADE STAIR ATTACHMENT WITH PIN ANCHORS

STD 3/8" MORTAR JOINT

SCALE: N.T.S.

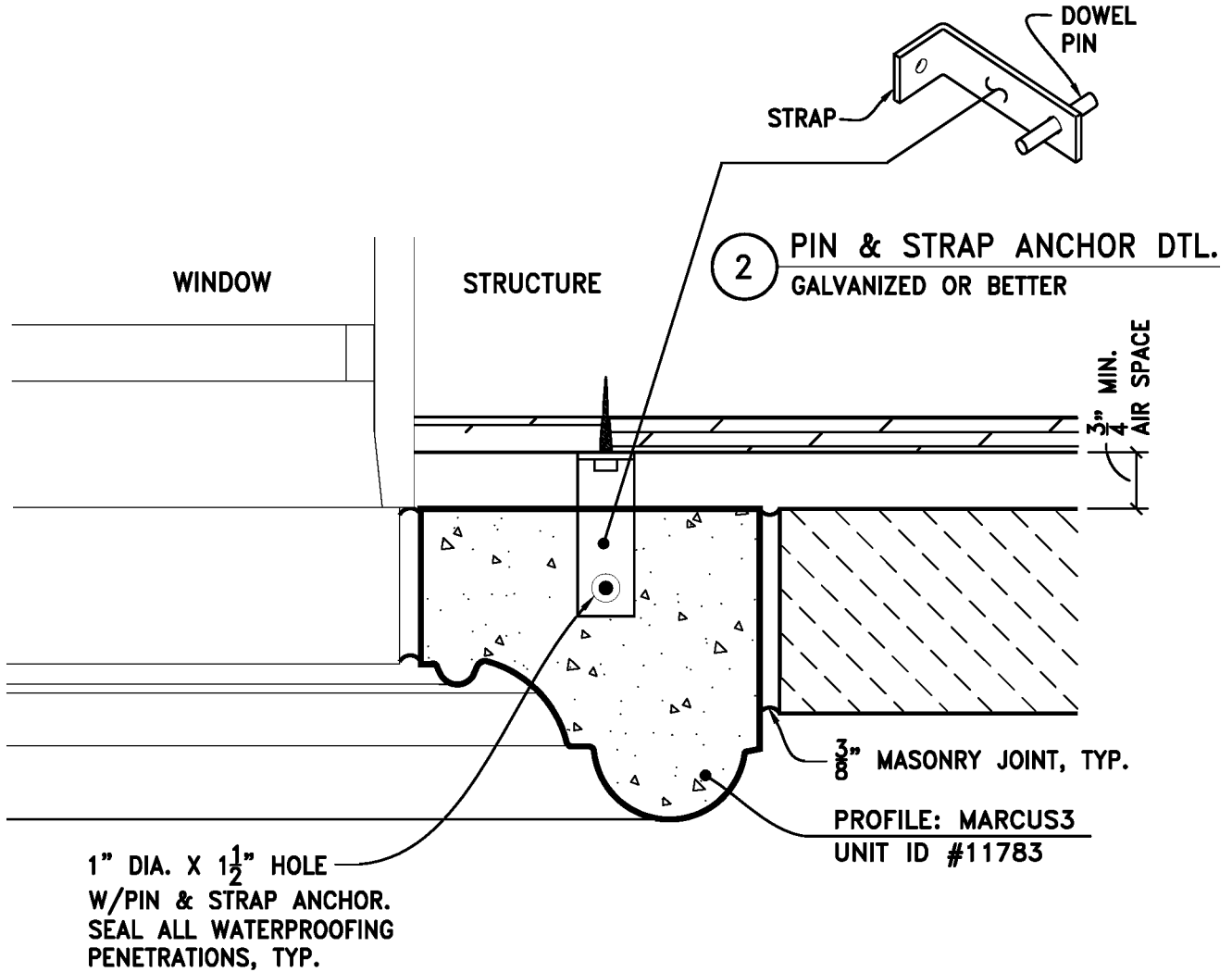
STONE LEGENDS

301 Pleasant Drive - Dallas, TX 75217
Voice (214) 398-0999 - Fax (214) 398-1293
Visit our website at www.stonelegends.com

CLIENT:

PROJECT:

THESE DRAWINGS ARE SUGGESTED
INSTALLATION DETAILS ONLY;
ALL ATTACHMENTS, STEEL SIZES,
GAUGE THICKNESS, AND ANCHOR
SIZES SHOULD BE CALCULATED
BY A STRUCTURAL ENGINEER;
WE ARE NOT LIABLE FOR
INSTALLATION OF ANY KIND



1" DIA. X 1 1/2" HOLE
W/PIN & STRAP ANCHOR.
SEAL ALL WATERPROOFING
PENETRATIONS, TYP.

1 CAST STONE JAMB ATTACHMENT AT MASONRY VENEER
WITH PIN & STRAP ANCHOR

TYPICAL USES:
WINDOW & DOOR LEG

STD 3/8" MORTAR JOINT

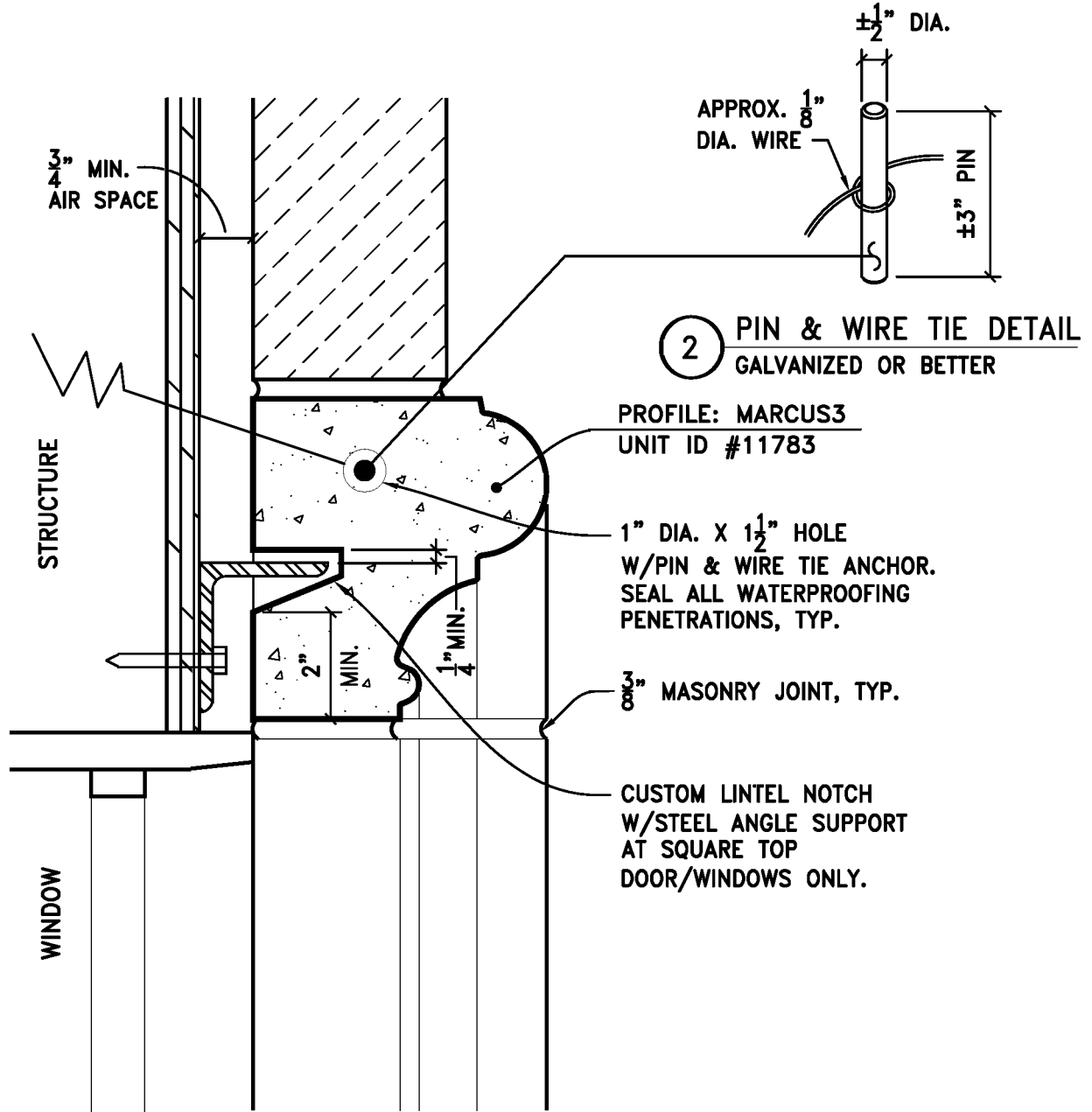
SCALE: N.T.S.

STONE LEGENDS

301 Pleasant Drive - Dallas, TX 75217
Voice (214) 398-0999 - Fax (214) 398-1293
Visit our website at www.stonelegends.com

CLIENT:
PROJECT:

THESE DRAWINGS ARE SUGGESTED INSTALLATION DETAILS ONLY; ALL ATTACHMENTS, STEEL SIZES, GAUGE THICKNESS, AND ANCHOR SIZES SHOULD BE CALCULATED BY A STRUCTURAL ENGINEER; WE ARE NOT LIABLE FOR INSTALLATION OF ANY KIND



2 PIN & WIRE TIE DETAIL GALVANIZED OR BETTER

PROFILE: MARCUS3
UNIT ID #11783

1" DIA. X 1 1/2" HOLE
W/PIN & WIRE TIE ANCHOR.
SEAL ALL WATERPROOFING
PENETRATIONS, TYP.

3/8" MASONRY JOINT, TYP.

CUSTOM LINTEL NOTCH
W/STEEL ANGLE SUPPORT
AT SQUARE TOP
DOOR/WINDOWS ONLY.

1 CAST STONE HEADER ATTACHMENT AT MASONRY VENEER WITH HIDDEN SUPPORT LINTEL AND PIN & WIRE TIE ANCHOR

TYPICAL USES:
DOOR & WINDOW HEADER

STD 3/8" MORTAR JOINT

SCALE: N.T.S.

STONE LEGENDS

301 Pleasant Drive - Dallas, TX 75217
Voice (214) 398-0999 - Fax (214) 398-1293
Visit our website at www.stonelegends.com

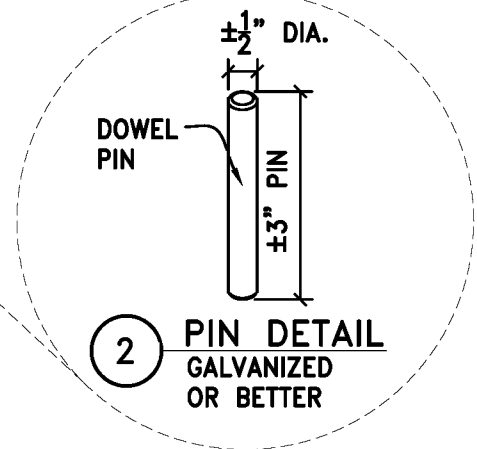
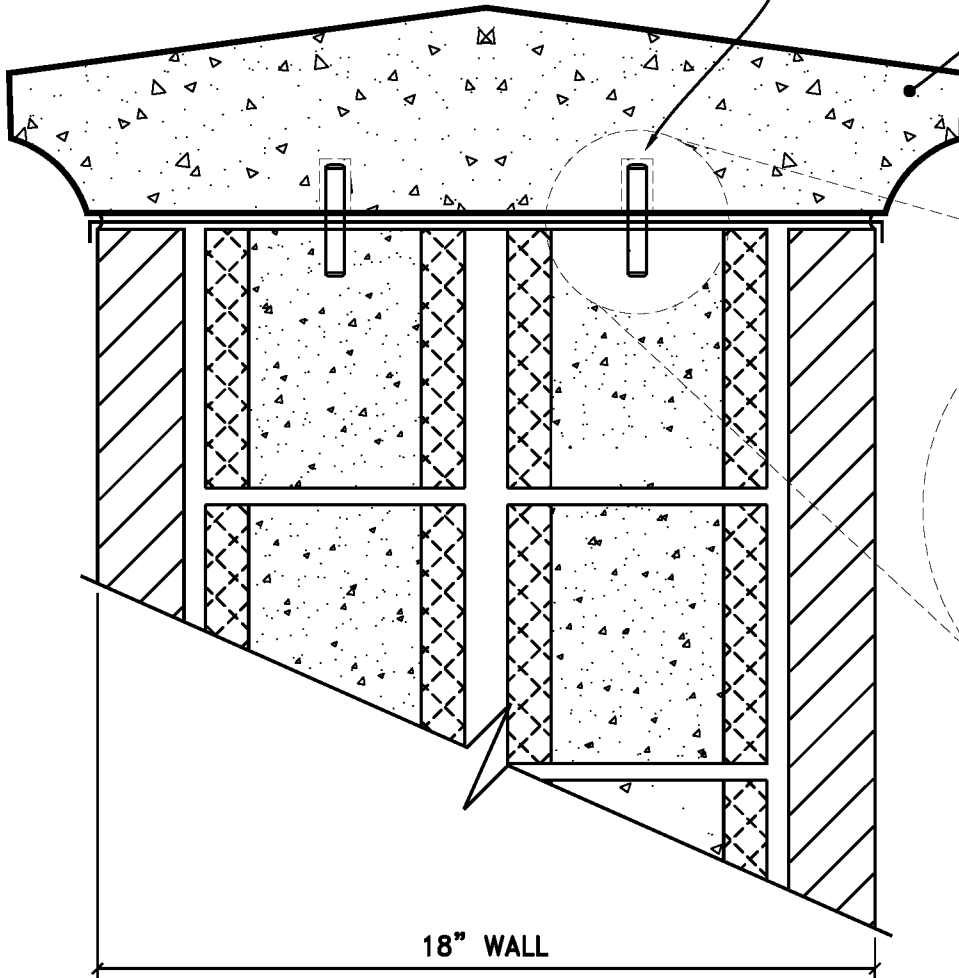
CLIENT:

PROJECT:

THESE DRAWINGS ARE SUGGESTED
INSTALLATION DETAILS ONLY;
ALL ATTACHMENTS, STEEL SIZES,
GAUGE THICKNESS, AND ANCHOR
SIZES SHOULD BE CALCULATED
BY A STRUCTURAL ENGINEER;
WE ARE NOT LIABLE FOR
INSTALLATION OF ANY KIND

1" DIA. X 1 1/2" HOLE
W/PIN ANCHOR BY OTHERS
GROUTED SOLID.
SEAL ALL FLASHING PENETRATIONS

PROFILE: CONNELLY5
UNIT ID #16000



**VERTICAL SECTION
THROUGH SITE WALL**

**1 CAST STONE WALL COPING ATTACHMENT
WITH DOWEL PIN ANCHOR**

TYPICAL USES:
LANDSCAPE WALLS &
PARPET WALLS

STD 3/8" MORTAR JOINT

SCALE: N.T.S.

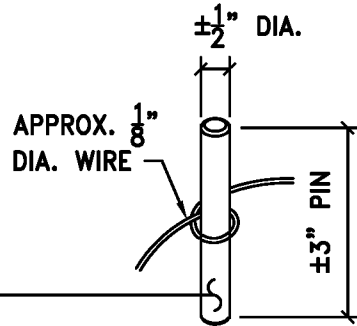
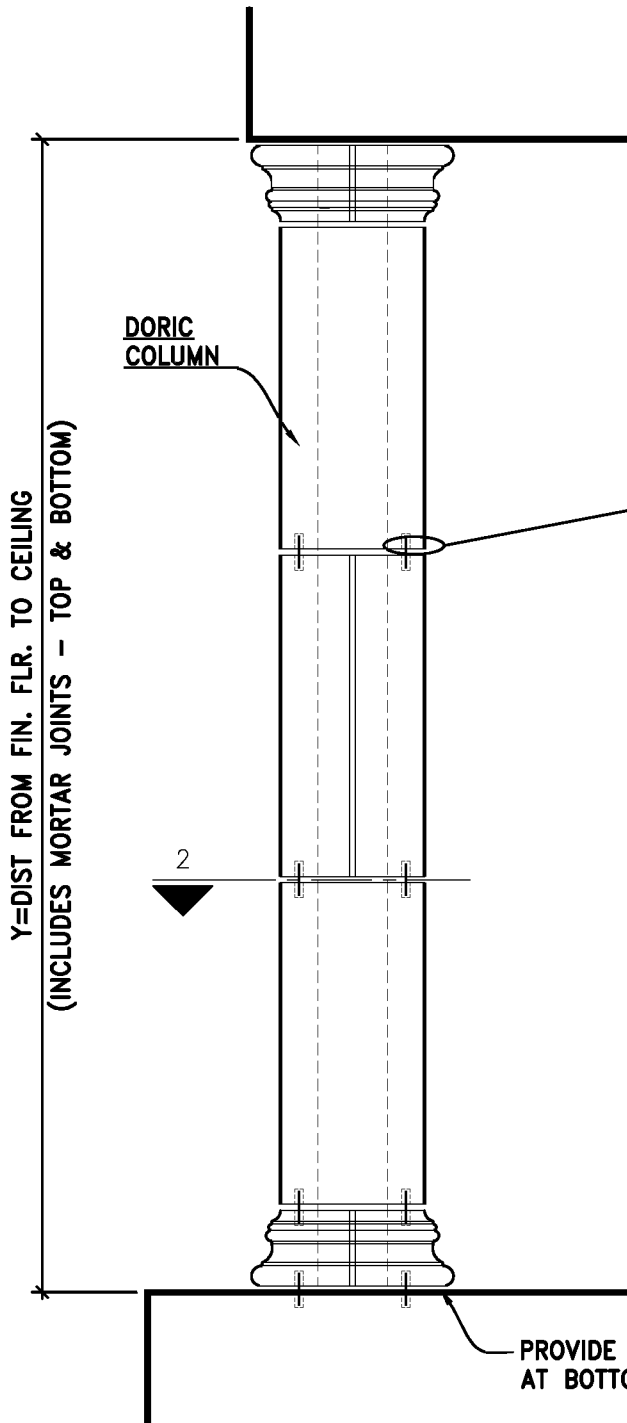
STONE LEGENDS

301 Pleasant Drive - Dallas, TX 75217
Voice (214) 398-0999 - Fax (214) 398-1293
Visit our website at www.stonelegends.com

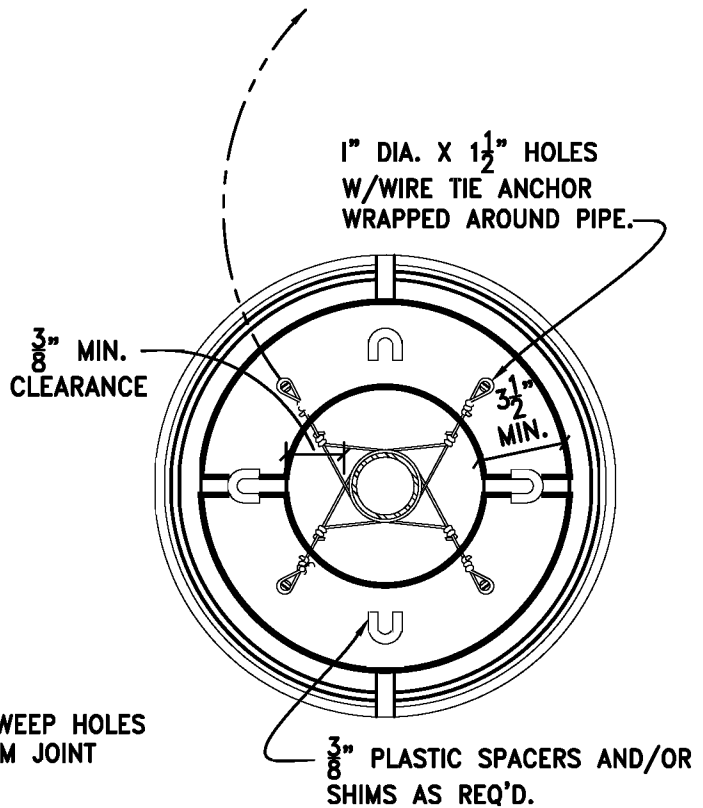
CLIENT:

PROJECT:

THESE DRAWINGS ARE SUGGESTED INSTALLATION DETAILS ONLY; ALL ATTACHMENTS, STEEL SIZES, GAUGE THICKNESS, AND ANCHOR SIZES SHOULD BE CALCULATED BY A STRUCTURAL ENGINEER; WE ARE NOT LIABLE FOR INSTALLATION OF ANY KIND



3 PIN & WIRE TIE DETAIL GALVANIZED OR BETTER



1 TYP. CAST STONE HOLLOW COLUMN W/PIPE WITH PIN & WIRE TIE ANCHORS

2 SECTION DETAIL

STD 3/8" MORTAR JOINT

SCALE: N.T.S.

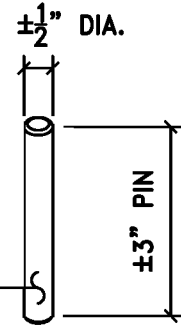
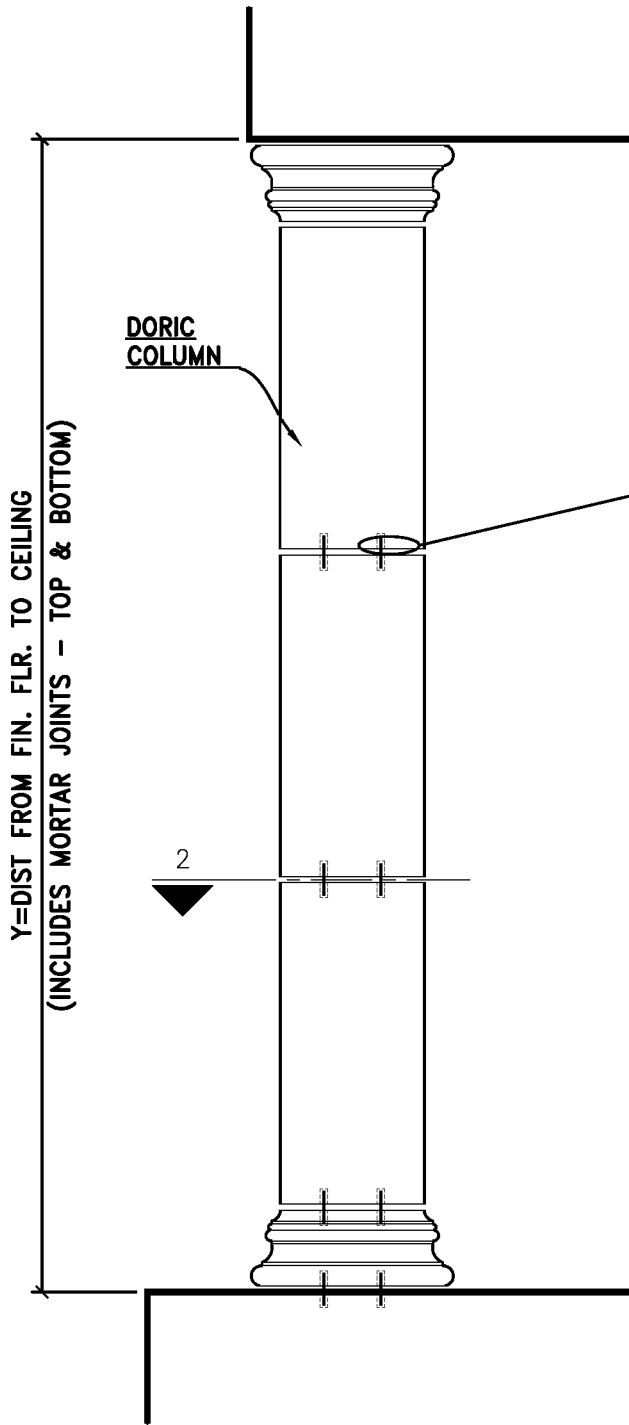
STONE LEGENDS

301 Pleasant Drive - Dallas, TX 75217
Voice (214) 398-0999 - Fax (214) 398-1293
Visit our website at www.stonelegends.com

CLIENT:

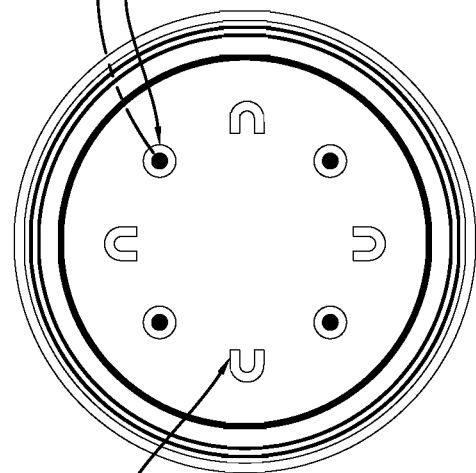
PROJECT:

THESE DRAWINGS ARE SUGGESTED INSTALLATION DETAILS ONLY; ALL ATTACHMENTS, STEEL SIZES, GAUGE THICKNESS, AND ANCHOR SIZES SHOULD BE CALCULATED BY A STRUCTURAL ENGINEER; WE ARE NOT LIABLE FOR INSTALLATION OF ANY KIND



3 PIN DETAIL GALVANIZED OR BETTER

1" DIA. X 1 1/2' HOLES W/ANCHOR PINS. GROUTED SOLID



3/8" PLASTIC SPACERS AND/OR SHIMS AS REQ'D.

2 SECTION DETAIL

1 TYP. CAST STONE SOLID COLUMN WITH PIN ANCHORS

STD 3/8" MORTAR JOINT

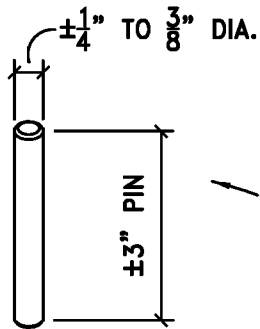
SCALE: N.T.S.

STONE LEGENDS

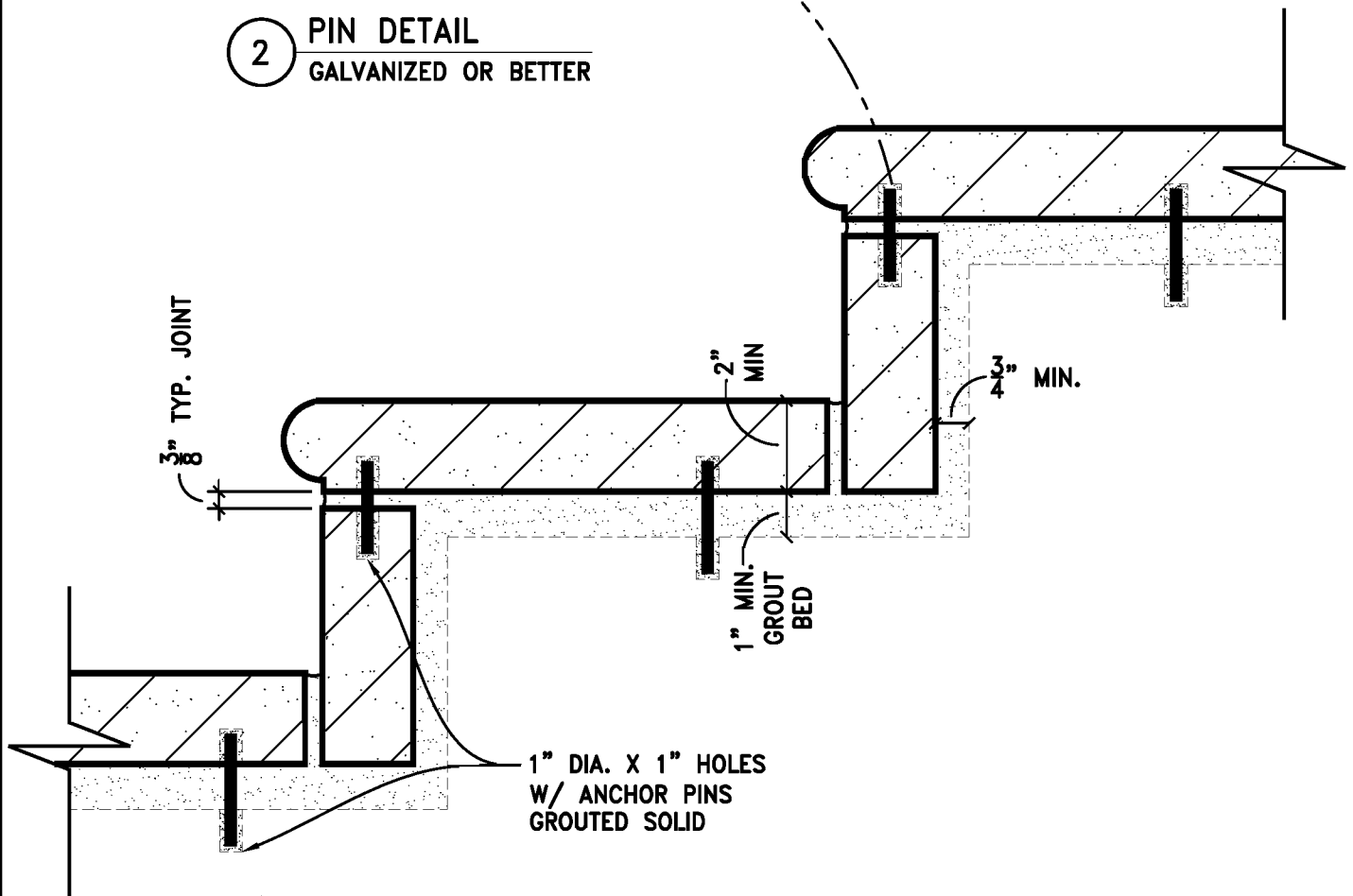
301 Pleasant Drive - Dallas, TX 75217
Voice (214) 398-0999 - Fax (214) 398-1293
Visit our website at www.stonelegends.com

CLIENT:
PROJECT:

THESE DRAWINGS ARE SUGGESTED
INSTALLATION DETAILS ONLY;
ALL ATTACHMENTS, STEEL SIZES,
GAUGE THICKNESS, AND ANCHOR
SIZES SHOULD BE CALCULATED
BY A STRUCTURAL ENGINEER;
WE ARE NOT LIABLE FOR
INSTALLATION OF ANY KIND



2 PIN DETAIL
GALVANIZED OR BETTER



1 TYPICAL CAST STONE TREAD & RISER DETAIL
WITH PIN ANCHORS

STD 3/8" MORTAR JOINT

SCALE: N.T.S.

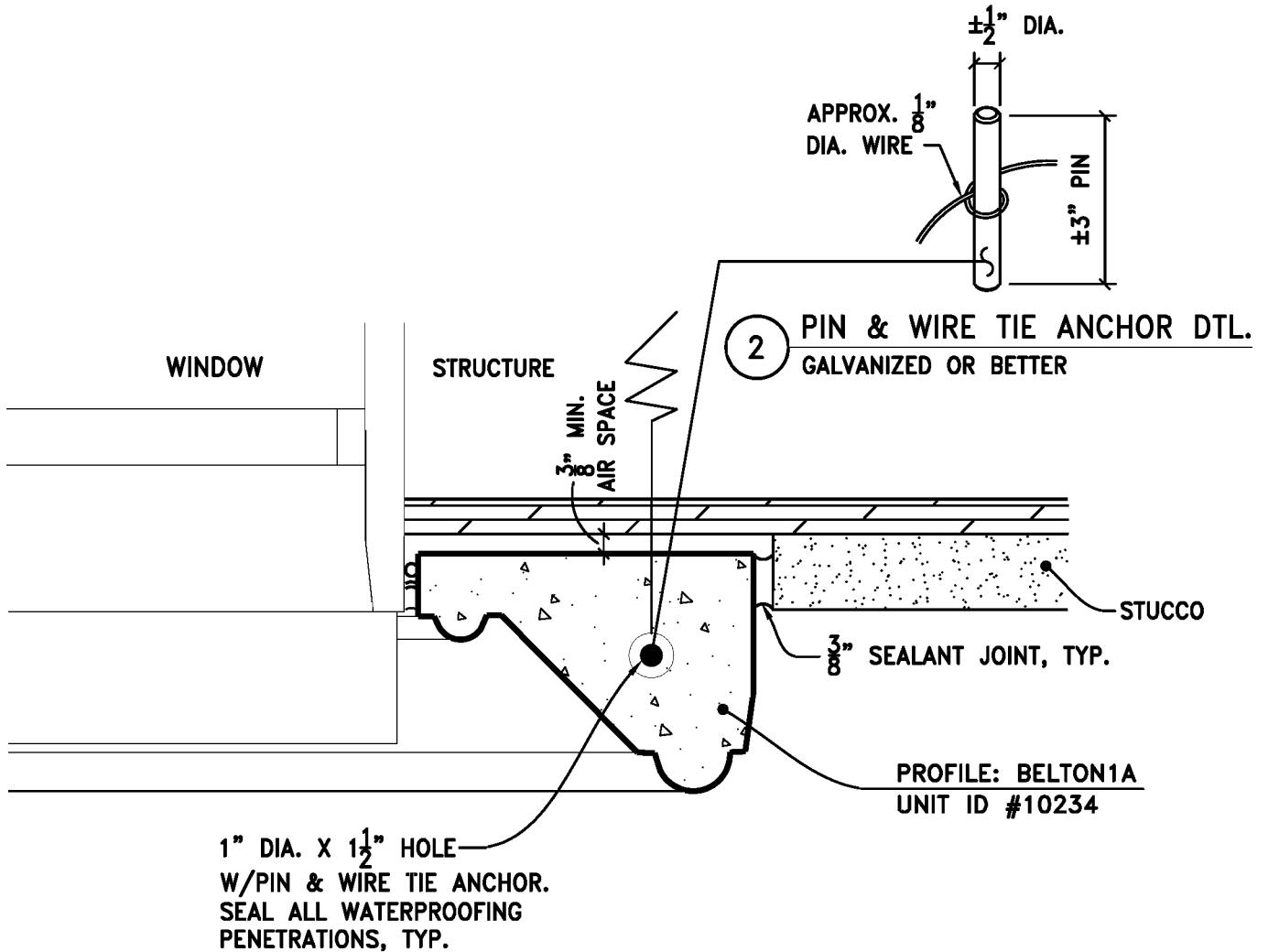
STONE LEGENDS

301 Pleasant Drive - Dallas, TX 75217
Voice (214) 398-0999 - Fax (214) 398-1293
Visit our website at www.stonelegends.com

CLIENT:

PROJECT:

THESE DRAWINGS ARE SUGGESTED
INSTALLATION DETAILS ONLY;
ALL ATTACHMENTS, STEEL SIZES,
GAUGE THICKNESS, AND ANCHOR
SIZES SHOULD BE CALCULATED
BY A STRUCTURAL ENGINEER;
WE ARE NOT LIABLE FOR
INSTALLATION OF ANY KIND



1 CAST STONE JAMB ATTACHMENT AT STUCCO
WITH PIN & WIRE TIE ANCHOR

TYPICAL USES:
WINDOW & DOOR LEG

STD 3/8" MORTAR JOINT

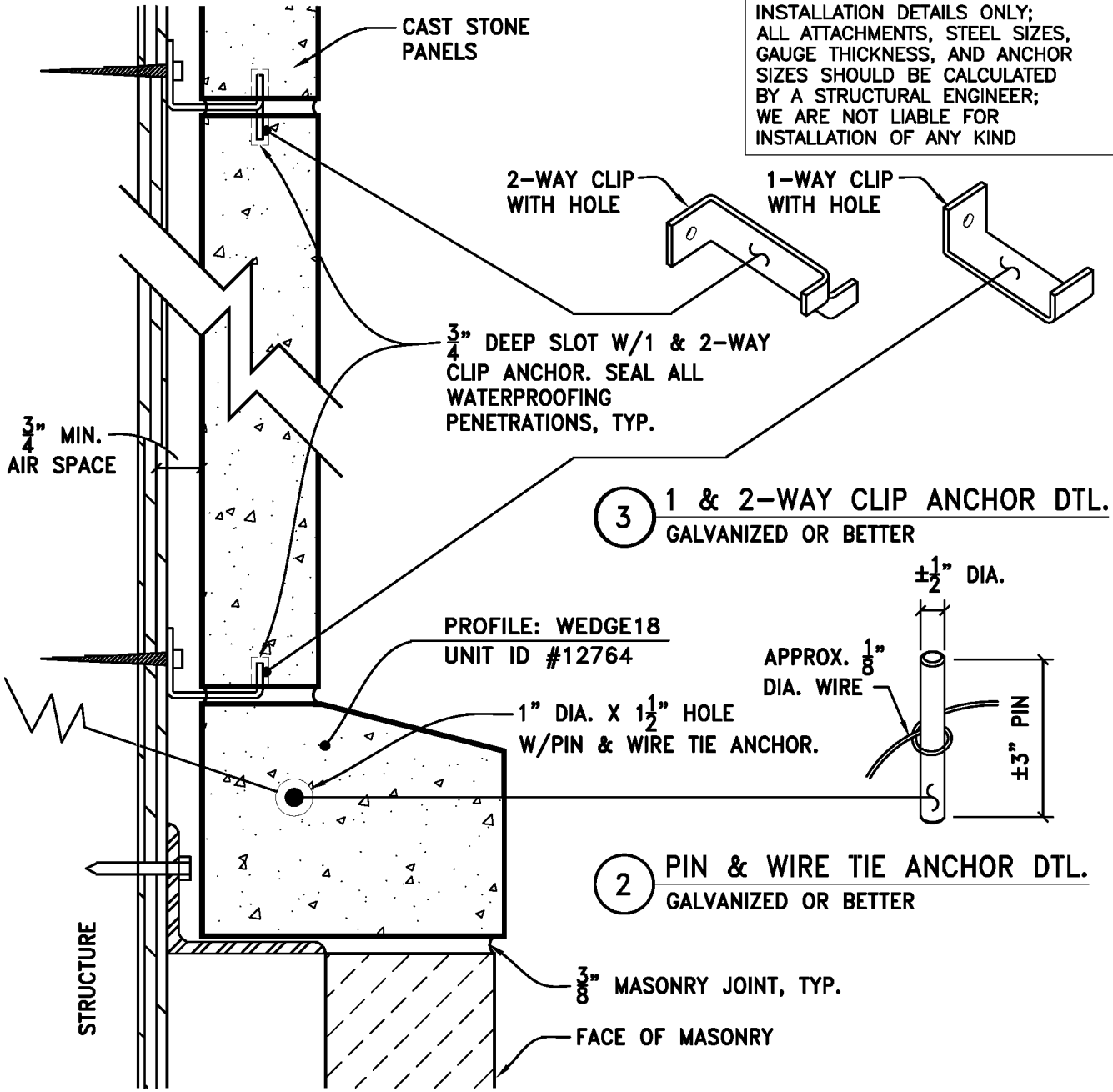
SCALE: N.T.S.

STONE LEGENDS

301 Pleasant Drive - Dallas, TX 75217
Voice (214) 398-0999 - Fax (214) 398-1293
Visit our website at www.stonelegends.com

CLIENT:
PROJECT:

THESE DRAWINGS ARE SUGGESTED INSTALLATION DETAILS ONLY; ALL ATTACHMENTS, STEEL SIZES, GAUGE THICKNESS, AND ANCHOR SIZES SHOULD BE CALCULATED BY A STRUCTURAL ENGINEER; WE ARE NOT LIABLE FOR INSTALLATION OF ANY KIND



3 1 & 2-WAY CLIP ANCHOR DTL. GALVANIZED OR BETTER

2 PIN & WIRE TIE ANCHOR DTL. GALVANIZED OR BETTER

1 CAST STONE PANEL & WATER TABLE ATTACHMENT TO MASONRY VENEER WITH 1 & 2-WAY CLIP ANCHOR AND PIN & WIRE TIE ANCHOR

TYPICAL USES:
WATERTABLE &
MID-LINE BANDING

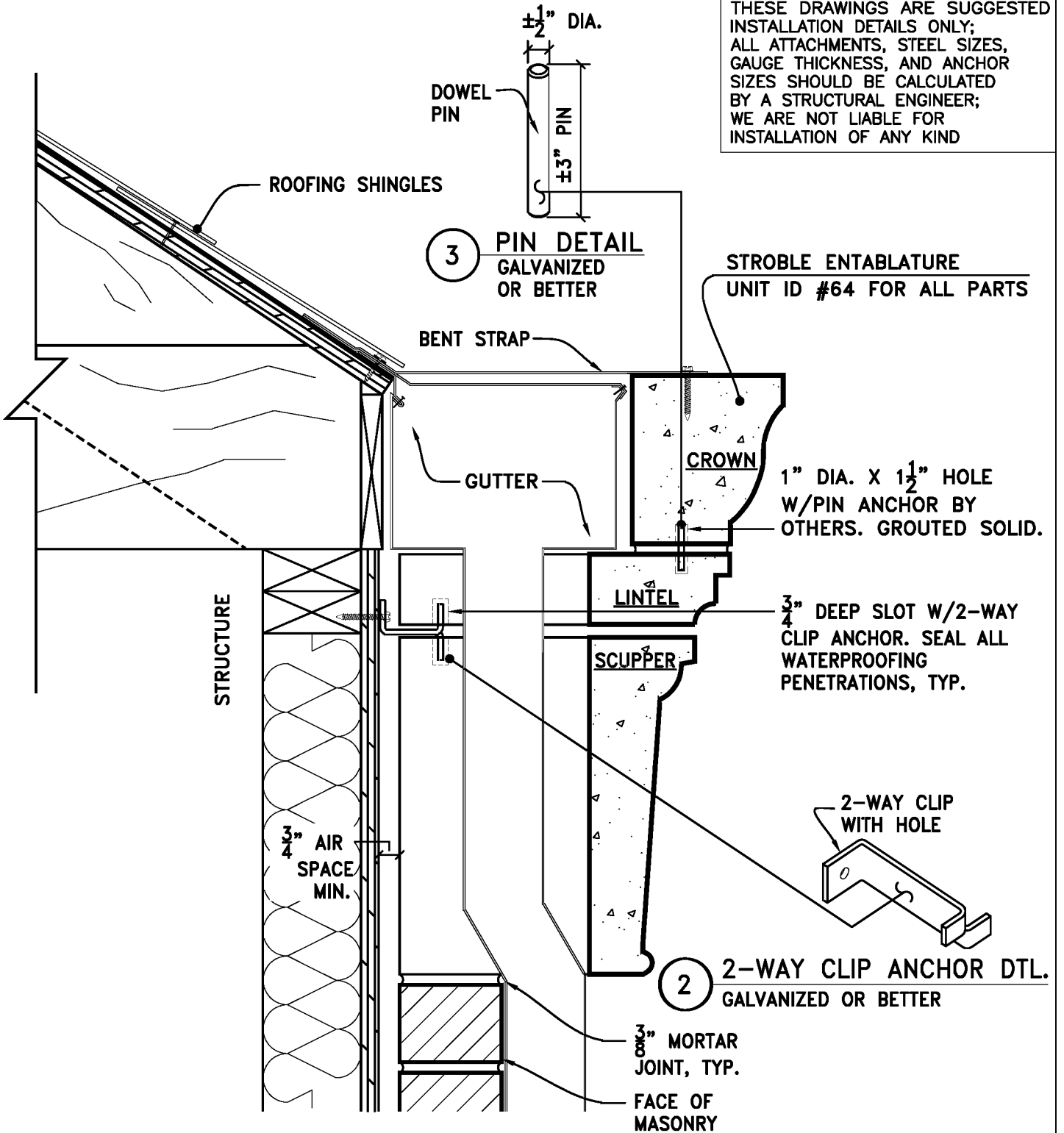
STD 3/8" MORTAR JOINT SCALE: N.T.S.

STONE LEGENDS

301 Pleasant Drive - Dallas, TX 75217
Voice (214) 398-0999 - Fax (214) 398-1293
Visit our website at www.stonelegends.com

CLIENT:
PROJECT:

THESE DRAWINGS ARE SUGGESTED INSTALLATION DETAILS ONLY; ALL ATTACHMENTS, STEEL SIZES, GAUGE THICKNESS, AND ANCHOR SIZES SHOULD BE CALCULATED BY A STRUCTURAL ENGINEER; WE ARE NOT LIABLE FOR INSTALLATION OF ANY KIND



1 CAST STONE ENTABLATURE & SCUPPER ATTACHMENT TO MASONRY VENEER WITH PIN AND 2-WAY STRAP ANCHOR

STD 3/8" MORTAR JOINT

SCALE: N.T.S.

STONE LEGENDS

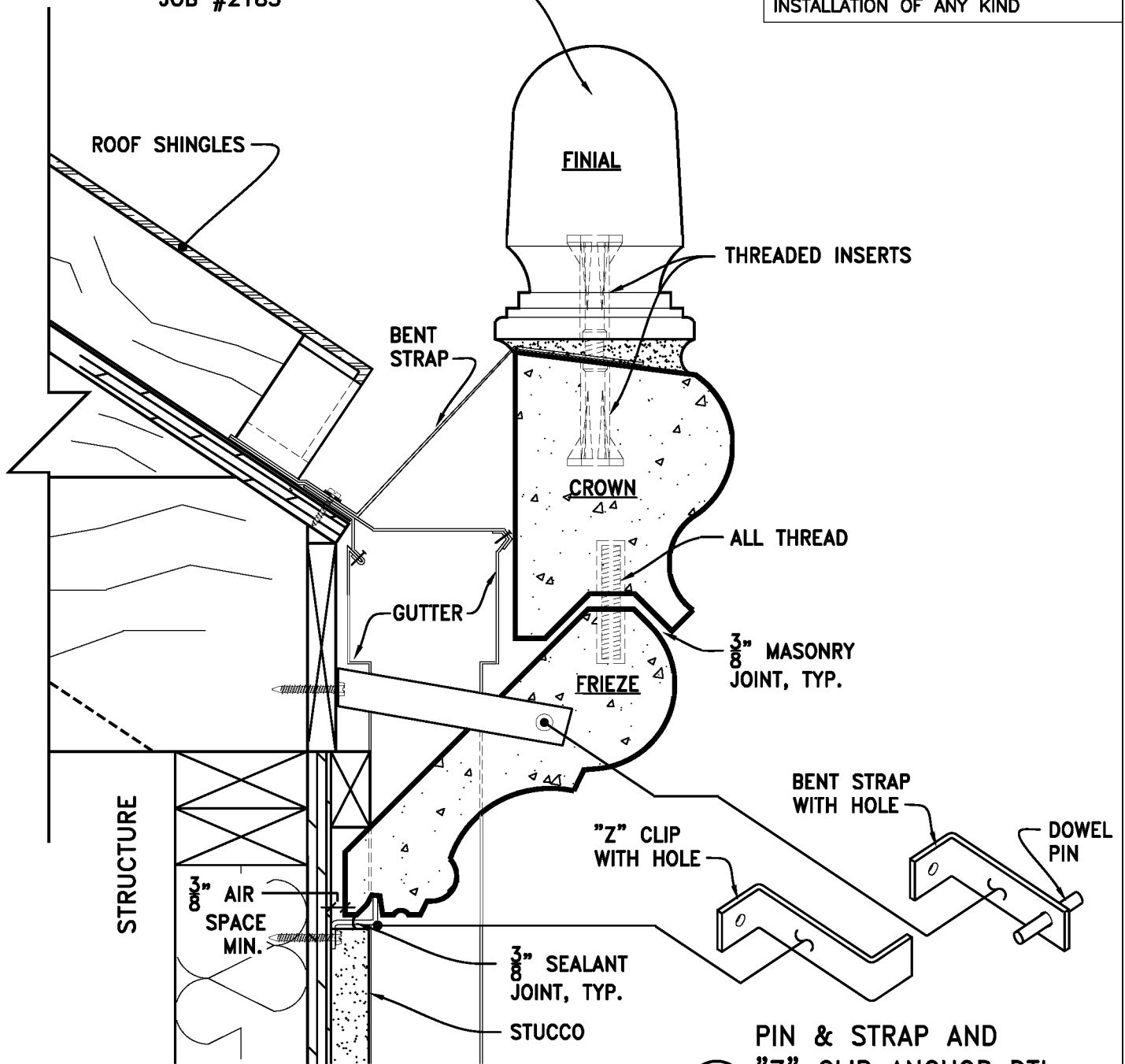
301 Pleasant Drive - Dallas, TX 75217
Voice (214) 398-0999 - Fax (214) 398-1293
Visit our website at www.stonelegends.com

CLIENT:

PROJECT:

THESE DRAWINGS ARE SUGGESTED
INSTALLATION DETAILS ONLY;
ALL ATTACHMENTS, STEEL SIZES,
GAUGE THICKNESS, AND ANCHOR
SIZES SHOULD BE CALCULATED
BY A STRUCTURAL ENGINEER;
WE ARE NOT LIABLE FOR
INSTALLATION OF ANY KIND

THE CASTLE ROCK ENTABLATURE
JOB #2183



2 PIN & STRAP AND
"Z" CLIP ANCHOR DTL.
GALVANIZED OR BETTER

1 CAST STONE ENTABLATURE & GUTTER ATTACHMENT AT STUCCO
WITH PIN & STRAP ANCHOR AND "Z" CLIP ANCHOR

STD 3/8" MORTAR JOINT

SCALE: N.T.S.

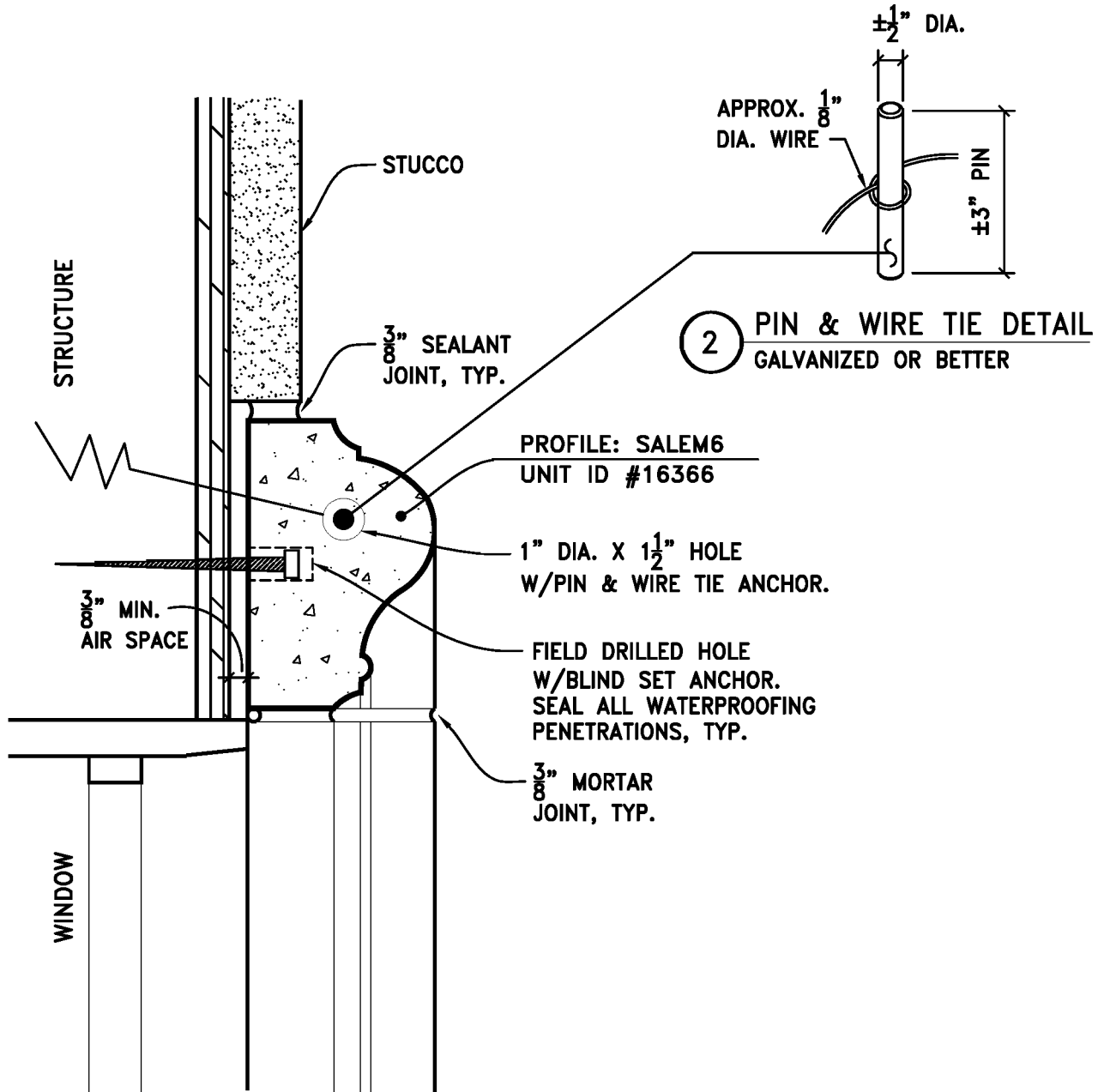
STONE LEGENDS

301 Pleasant Drive - Dallas, TX 75217
Voice (214) 398-0999 - Fax (214) 398-1293
Visit our website at www.stonelegends.com

CLIENT:

PROJECT:

THESE DRAWINGS ARE SUGGESTED INSTALLATION DETAILS ONLY; ALL ATTACHMENTS, STEEL SIZES, GAUGE THICKNESS, AND ANCHOR SIZES SHOULD BE CALCULATED BY A STRUCTURAL ENGINEER; WE ARE NOT LIABLE FOR INSTALLATION OF ANY KIND



2 PIN & WIRE TIE DETAIL GALVANIZED OR BETTER

1 CAST STONE HEADER ATTACHMENT AT STUCCO WITH PIN & WIRE TIE AND BLIND SET ANCHORS

TYPICAL USES:
DOOR & WINDOW HEADER

STD 3/8" MORTAR JOINT

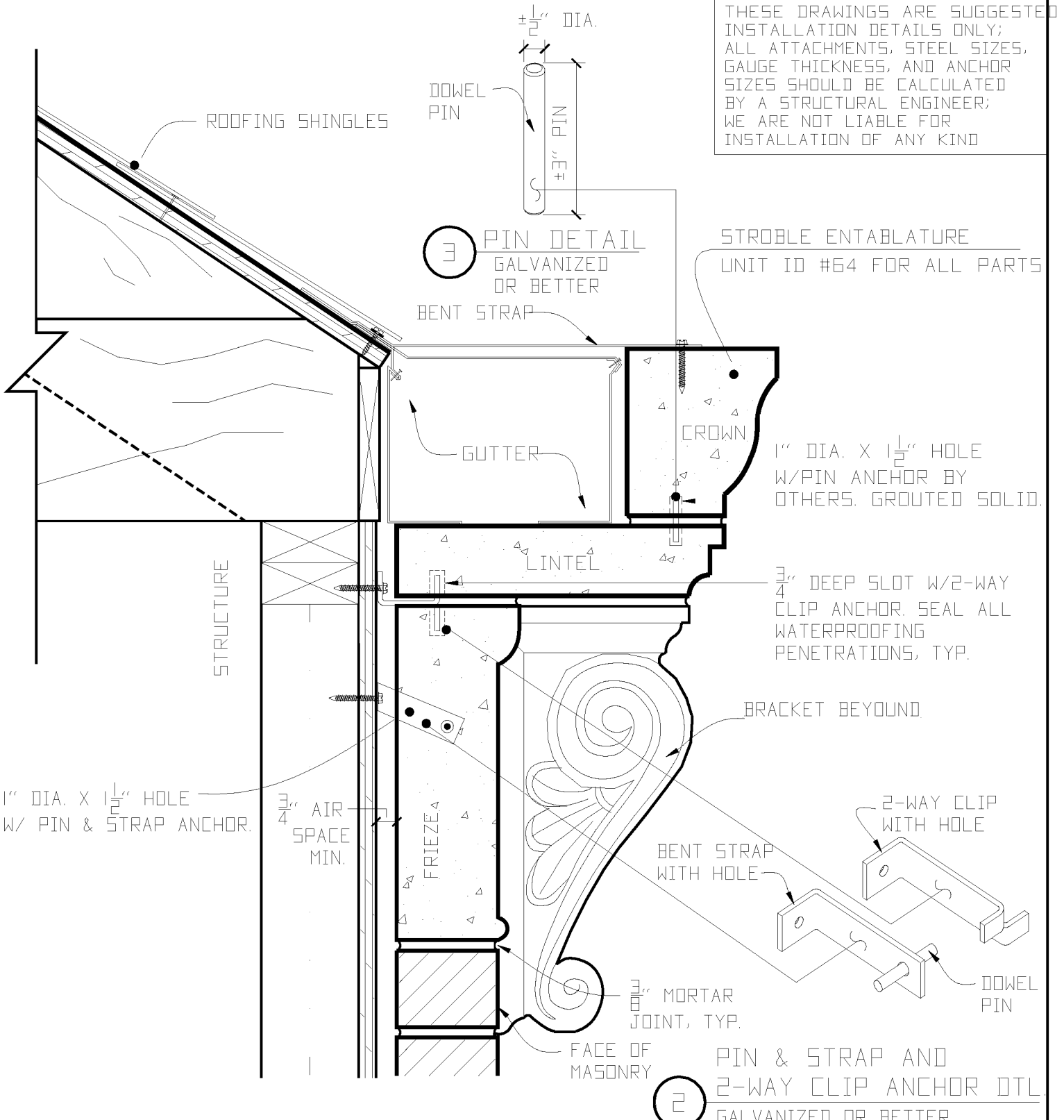
SCALE: N.T.S.

STONE LEGENDS

301 Pleasant Drive - Dallas, TX 75217
Voice (214) 398-0999 - Fax (214) 398-1293
Visit our website at www.stonelegends.com

CLIENT:
PROJECT:

THESE DRAWINGS ARE SUGGESTED INSTALLATION DETAILS ONLY; ALL ATTACHMENTS, STEEL SIZES, GAUGE THICKNESS, AND ANCHOR SIZES SHOULD BE CALCULATED BY A STRUCTURAL ENGINEER; WE ARE NOT LIABLE FOR INSTALLATION OF ANY KIND



3 PIN DETAIL GALVANIZED OR BETTER BENT STRAP

STROBLE ENTABLATURE UNIT ID #64 FOR ALL PARTS

1" DIA. X 1 1/2" HOLE W/PIN ANCHOR BY OTHERS. GROUTED SOLID.

3/4" DEEP SLOT W/2-WAY CLIP ANCHOR. SEAL ALL WATERPROOFING PENETRATIONS, TYP.

1" DIA. X 1 1/2" HOLE W/ PIN & STRAP ANCHOR.

3/4" AIR SPACE MIN.

3/8" MORTAR JOINT, TYP.

2 PIN & STRAP AND 2-WAY CLIP ANCHOR DTL GALVANIZED OR BETTER

1 CAST STONE ENTABLATURE & GUTTER ATTACHMENT TO MASONRY VENEER WITH PIN & STAP ANCHOR AND 2-WAY STRAP ANCHOR

STD 3/8" MORTAR JOINT

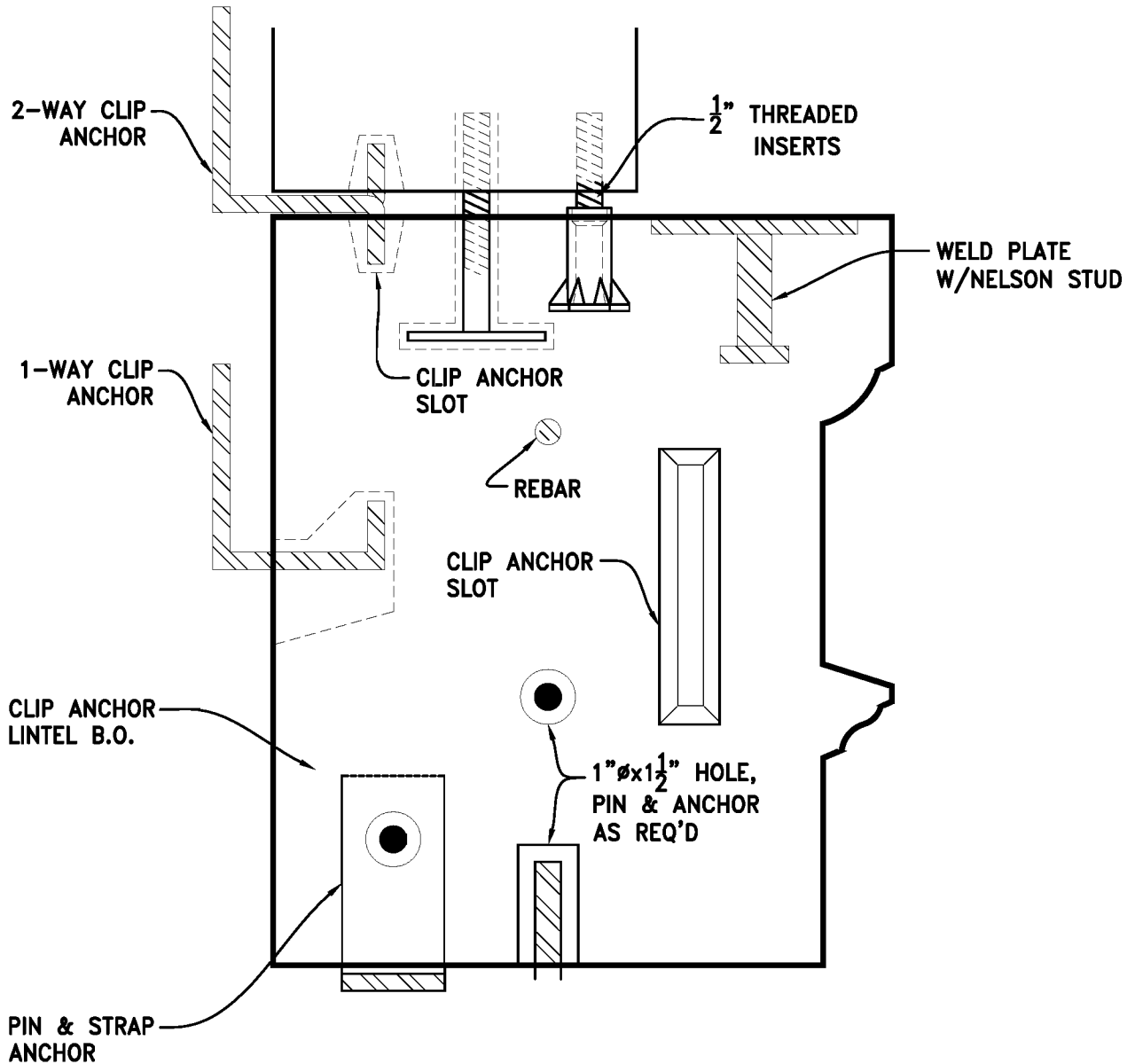
SCALE: N.T.S.

STONE LEGENDS

301 Pleasant Drive - Dallas, TX 75217
Voice (214) 398-0999 - Fax (214) 398-1293
Visit our website at www.stonelegends.com

CLIENT:
PROJECT:

THESE DRAWINGS ARE SUGGESTED
INSTALLATION DETAILS ONLY;
ALL ATTACHMENTS, STEEL SIZES,
GAUGE THICKNESS, AND ANCHOR
SIZES SHOULD BE CALCULATED
BY A STRUCTURAL ENGINEER;
WE ARE NOT LIABLE FOR
INSTALLATION OF ANY KIND



1 TYPICAL CAST STONE FASTENING DETAILS

STD 3/8" MORTAR JOINT

SCALE: N.T.S.

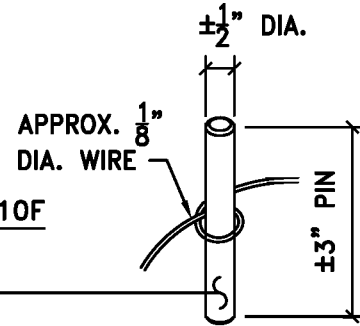
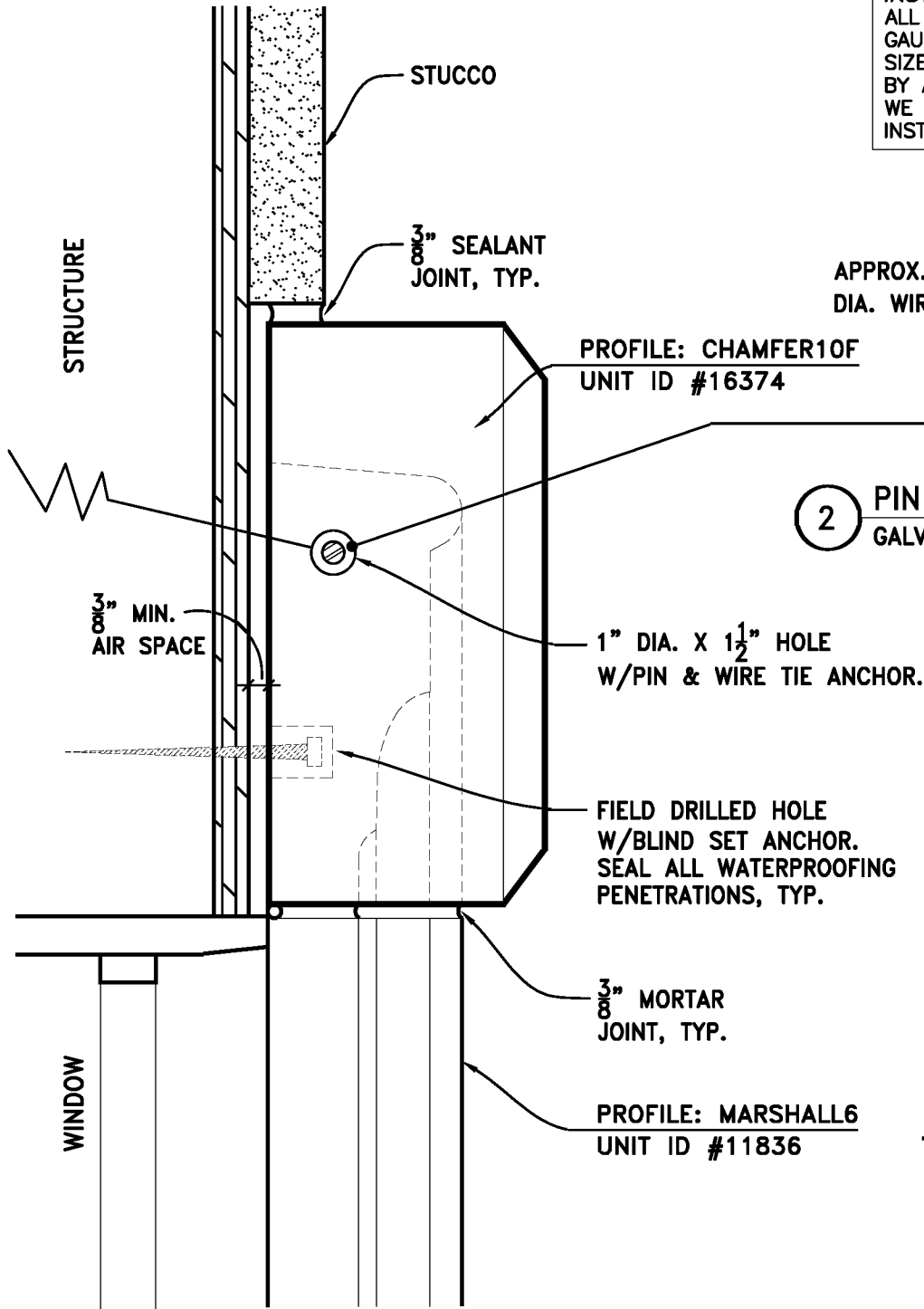
STONE LEGENDS

301 Pleasant Drive - Dallas, TX 75217
Voice (214) 398-0999 - Fax (214) 398-1293
Visit our website at www.stonelegends.com

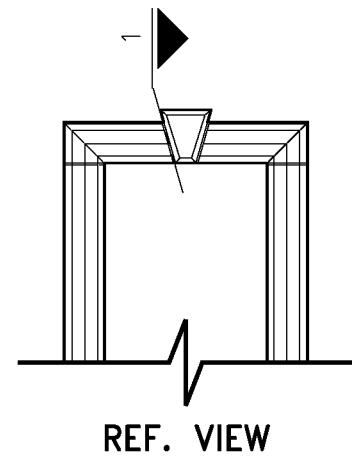
CLIENT:

PROJECT:

THESE DRAWINGS ARE SUGGESTED INSTALLATION DETAILS ONLY; ALL ATTACHMENTS, STEEL SIZES, GAUGE THICKNESS, AND ANCHOR SIZES SHOULD BE CALCULATED BY A STRUCTURAL ENGINEER; WE ARE NOT LIABLE FOR INSTALLATION OF ANY KIND



2 PIN & WIRE TIE DETAIL GALVANIZED OR BETTER



REF. VIEW

1 CAST STONE KEYSTONE ATTACHMENT AT STUCCO WITH PIN & WIRE TIE AND BLIND SET ANCHORS

TYPICAL USES:
DOOR & WINDOW HEADER

STD 3/8" MORTAR JOINT

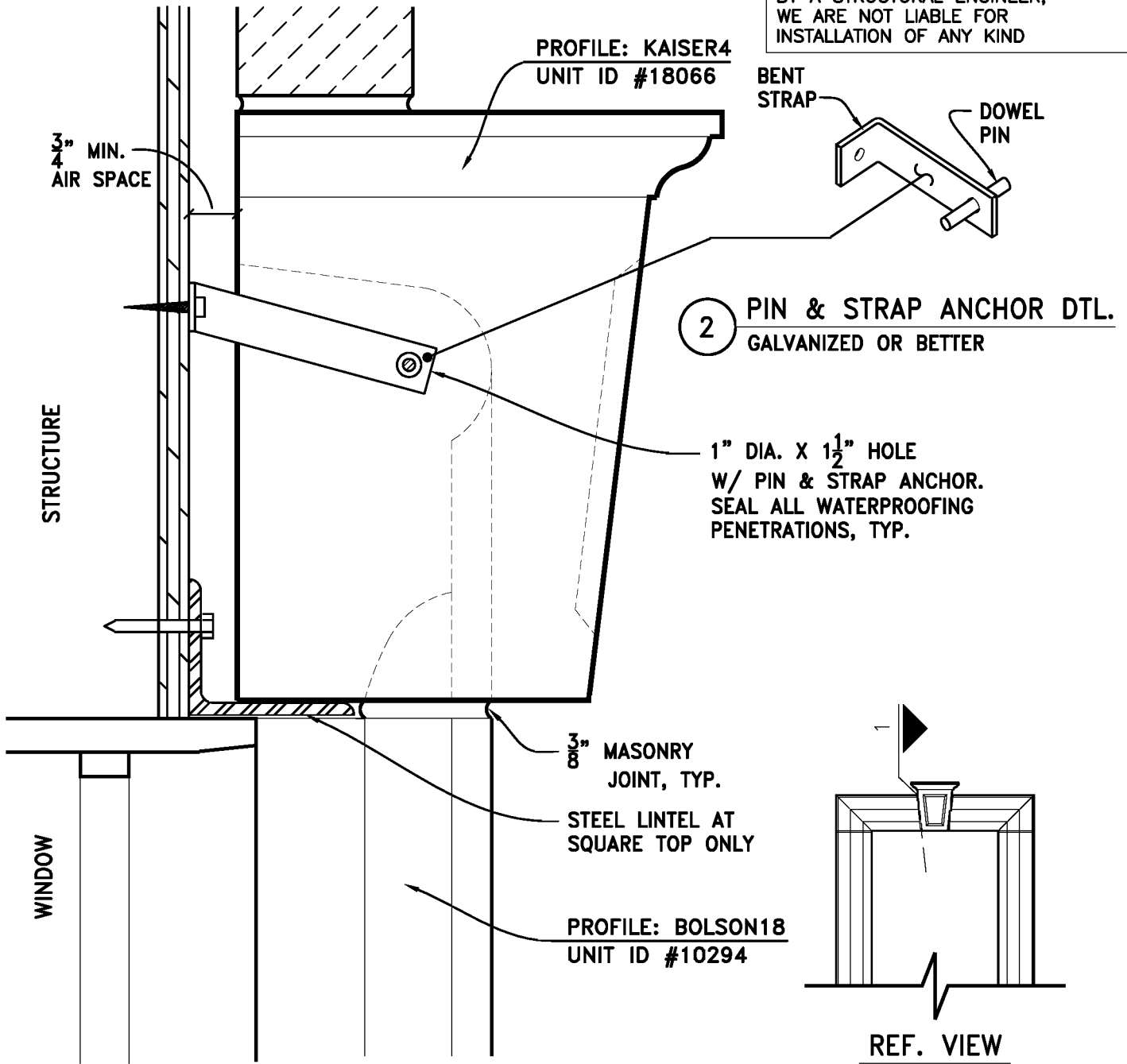
SCALE: N.T.S.

STONE LEGENDS

301 Pleasant Drive - Dallas, TX 75217
Voice (214) 398-0999 - Fax (214) 398-1293
Visit our website at www.stonelegends.com

CLIENT:
PROJECT:

THESE DRAWINGS ARE SUGGESTED
INSTALLATION DETAILS ONLY;
ALL ATTACHMENTS, STEEL SIZES,
GAUGE THICKNESS, AND ANCHOR
SIZES SHOULD BE CALCULATED
BY A STRUCTURAL ENGINEER;
WE ARE NOT LIABLE FOR
INSTALLATION OF ANY KIND



2 PIN & STRAP ANCHOR DTL.
GALVANIZED OR BETTER

1 CAST STONE KEYSTONE ATTACHMENT AT MASONRY VENEER
WITH PIN & STRAP ANCHORS

TYPICAL USES:
DOOR & WINDOW HEADER

STD 3/8" MORTAR JOINT

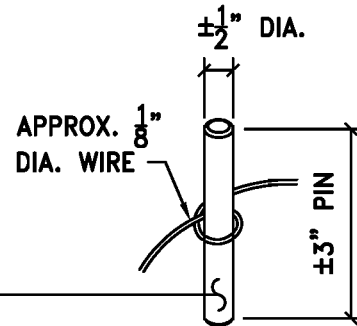
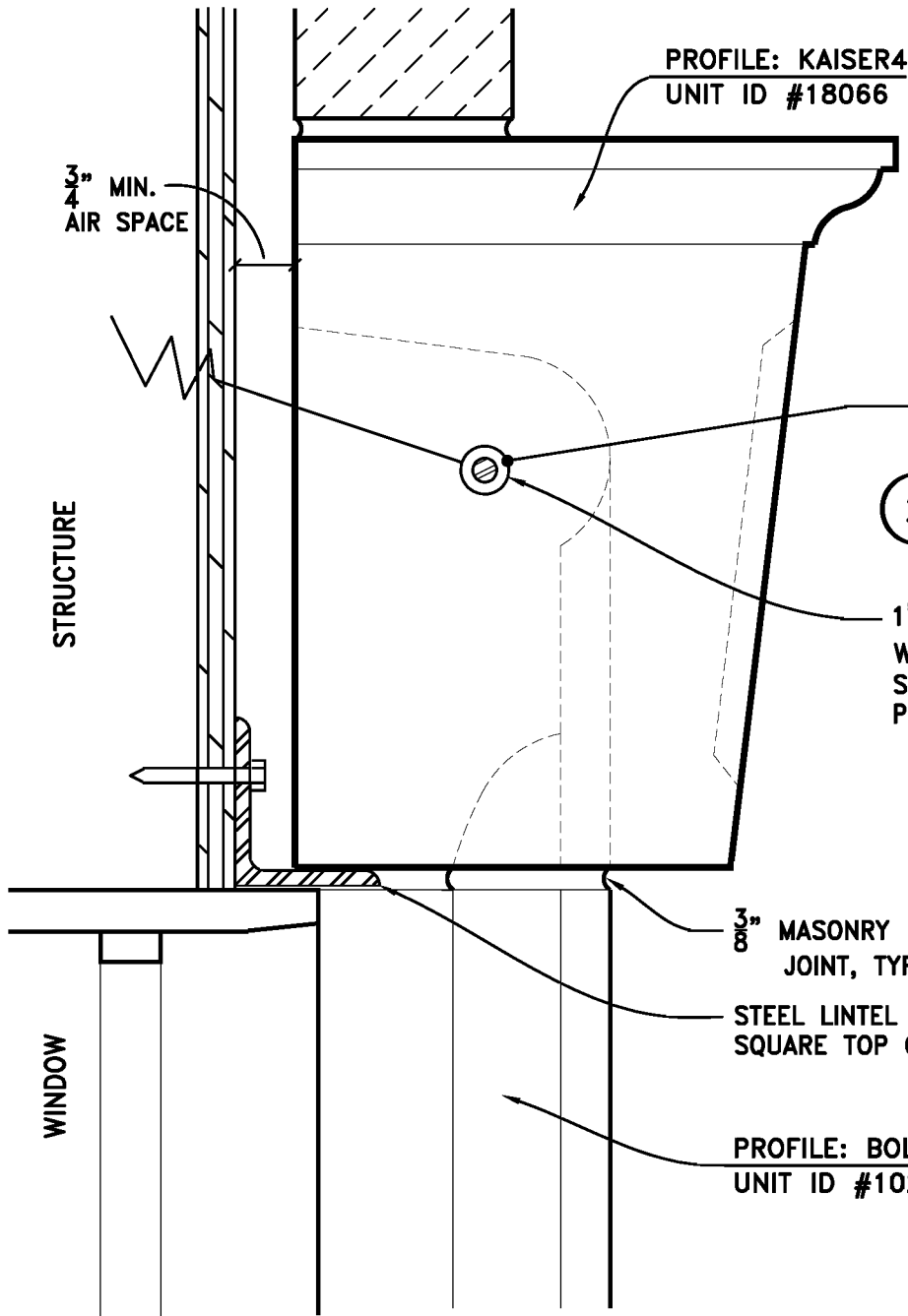
SCALE: N.T.S.

STONE LEGENDS

301 Pleasant Drive - Dallas, TX 75217
Voice (214) 398-0999 - Fax (214) 398-1293
Visit our website at www.stonelegends.com

CLIENT:
PROJECT:

THESE DRAWINGS ARE SUGGESTED
INSTALLATION DETAILS ONLY;
ALL ATTACHMENTS, STEEL SIZES,
GAUGE THICKNESS, AND ANCHOR
SIZES SHOULD BE CALCULATED
BY A STRUCTURAL ENGINEER;
WE ARE NOT LIABLE FOR
INSTALLATION OF ANY KIND



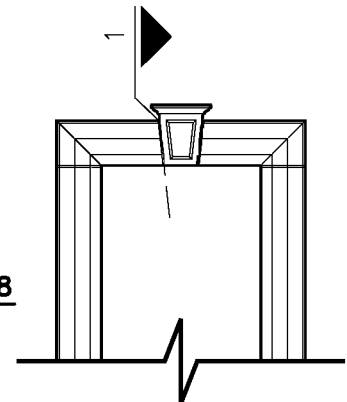
2 PIN & WIRE TIE DETAIL
GALVANIZED OR BETTER

1" DIA. X 1 1/2" HOLE
W/PIN & WIRE TIE ANCHOR.
SEAL ALL WATERPROOFING
PENETRATIONS, TYP.

3/8" MASONRY
JOINT, TYP.

STEEL LINTEL AT
SQUARE TOP ONLY

PROFILE: BOLSON18
UNIT ID #10294



REF. VIEW

1 CAST STONE KEYSTONE ATTACHMENT AT MASONRY VENEER
WITH PIN & WIRE TIE ANCHOR

TYPICAL USES:
DOOR & WINDOW HEADER

STD 3/8" MORTAR JOINT

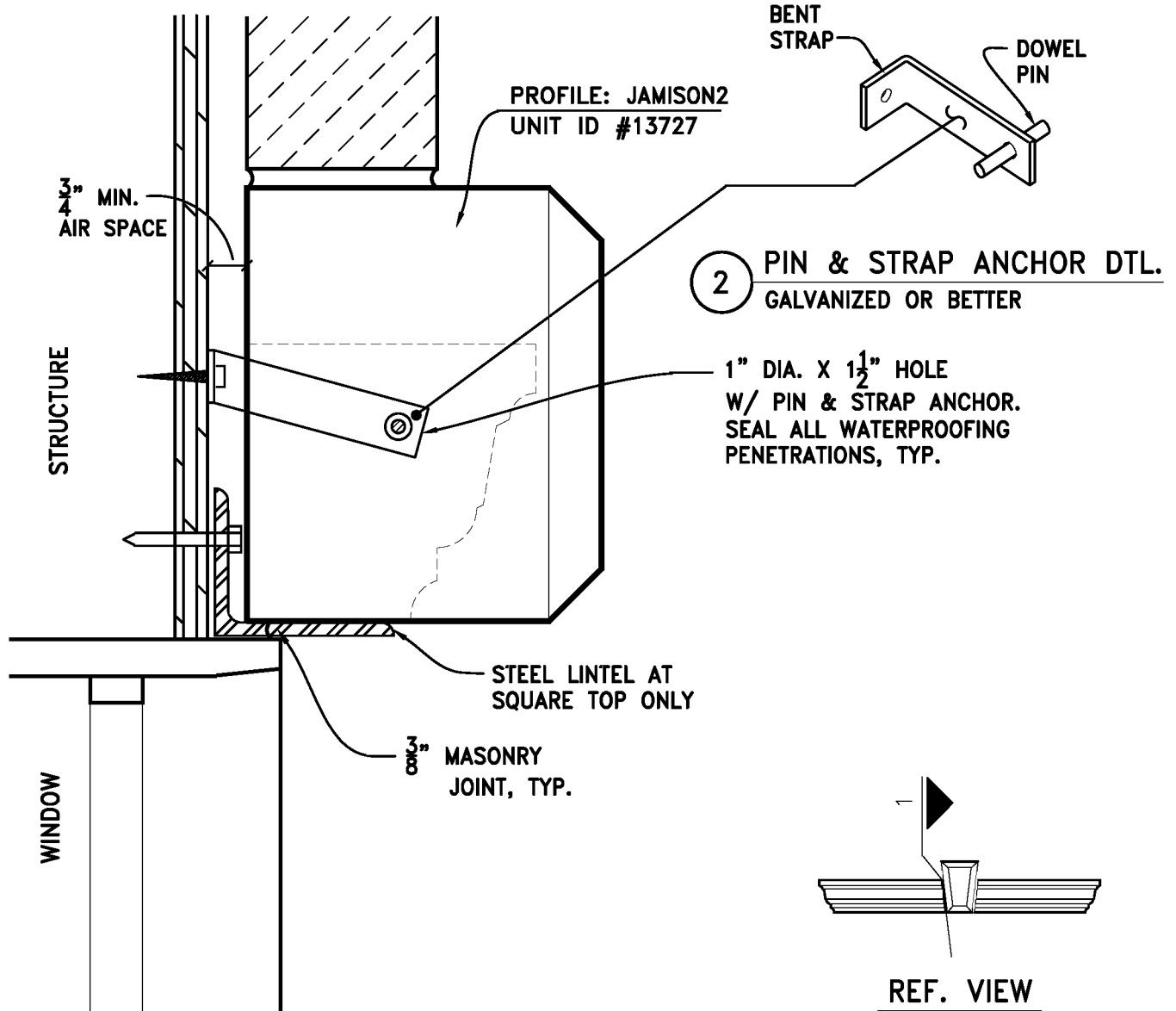
SCALE: N.T.S.

STONE LEGENDS

301 Pleasant Drive - Dallas, TX 75217
Voice (214) 398-0999 - Fax (214) 398-1293
Visit our website at www.stonelegends.com

CLIENT:
PROJECT:

THESE DRAWINGS ARE SUGGESTED
INSTALLATION DETAILS ONLY;
ALL ATTACHMENTS, STEEL SIZES,
GAUGE THICKNESS, AND ANCHOR
SIZES SHOULD BE CALCULATED
BY A STRUCTURAL ENGINEER;
WE ARE NOT LIABLE FOR
INSTALLATION OF ANY KIND



1 CAST STONE LINTEL ATTACHMENT AT MASONRY VENEER
WITH PIN & STRAP ANCHORS

TYPICAL USES:
DOOR & WINDOW HEADER

STD 3/8" MORTAR JOINT

SCALE: N.T.S.

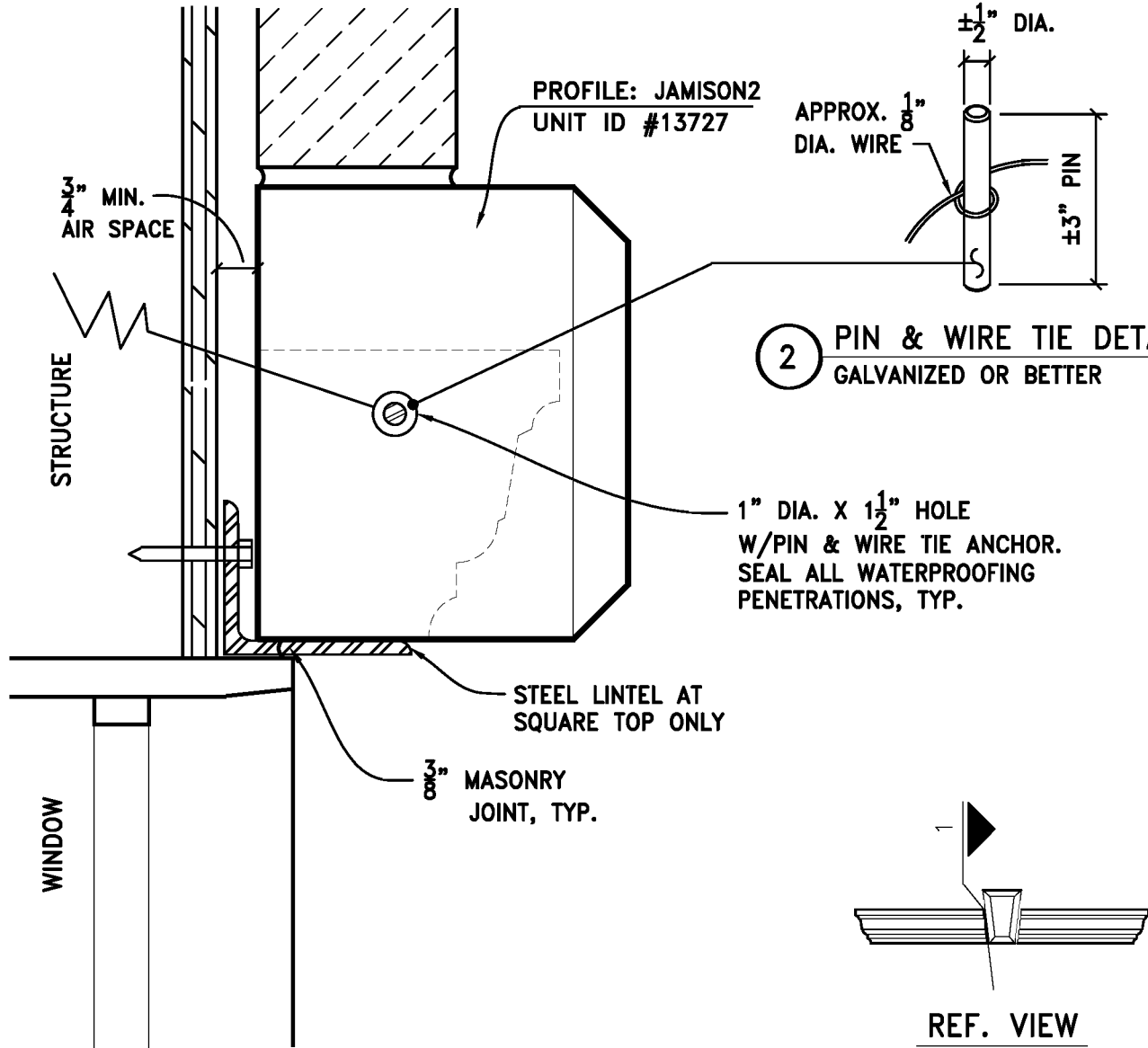
STONE LEGENDS

301 Pleasant Drive - Dallas, TX 75217
Voice (214) 398-0999 - Fax (214) 398-1293
Visit our website at www.stonelegends.com

CLIENT:

PROJECT:

THESE DRAWINGS ARE SUGGESTED INSTALLATION DETAILS ONLY; ALL ATTACHMENTS, STEEL SIZES, GAUGE THICKNESS, AND ANCHOR SIZES SHOULD BE CALCULATED BY A STRUCTURAL ENGINEER; WE ARE NOT LIABLE FOR INSTALLATION OF ANY KIND



1 CAST STONE LINTEL ATTACHMENT AT MASONRY VENEER WITH PIN & WIRE TIE ANCHOR

TYPICAL USES:
DOOR & WINDOW HEADER

STD 3/8" MORTAR JOINT

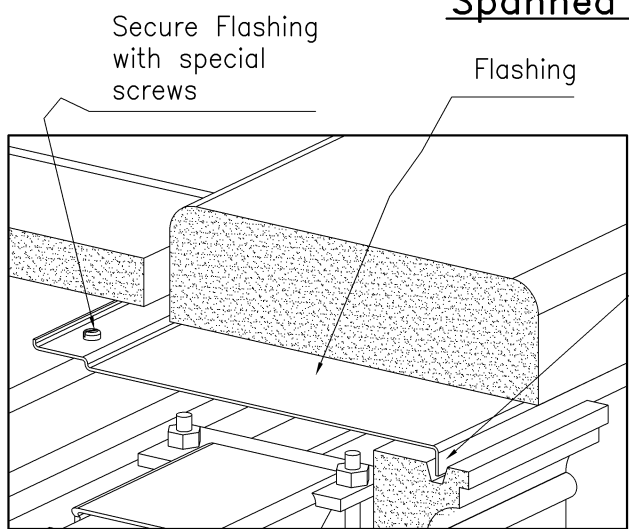
SCALE: N.T.S.

STONE LEGENDS

301 Pleasant Drive - Dallas, TX 75217
Voice (214) 398-0999 - Fax (214) 398-1293
Visit our website at www.stonelegends.com

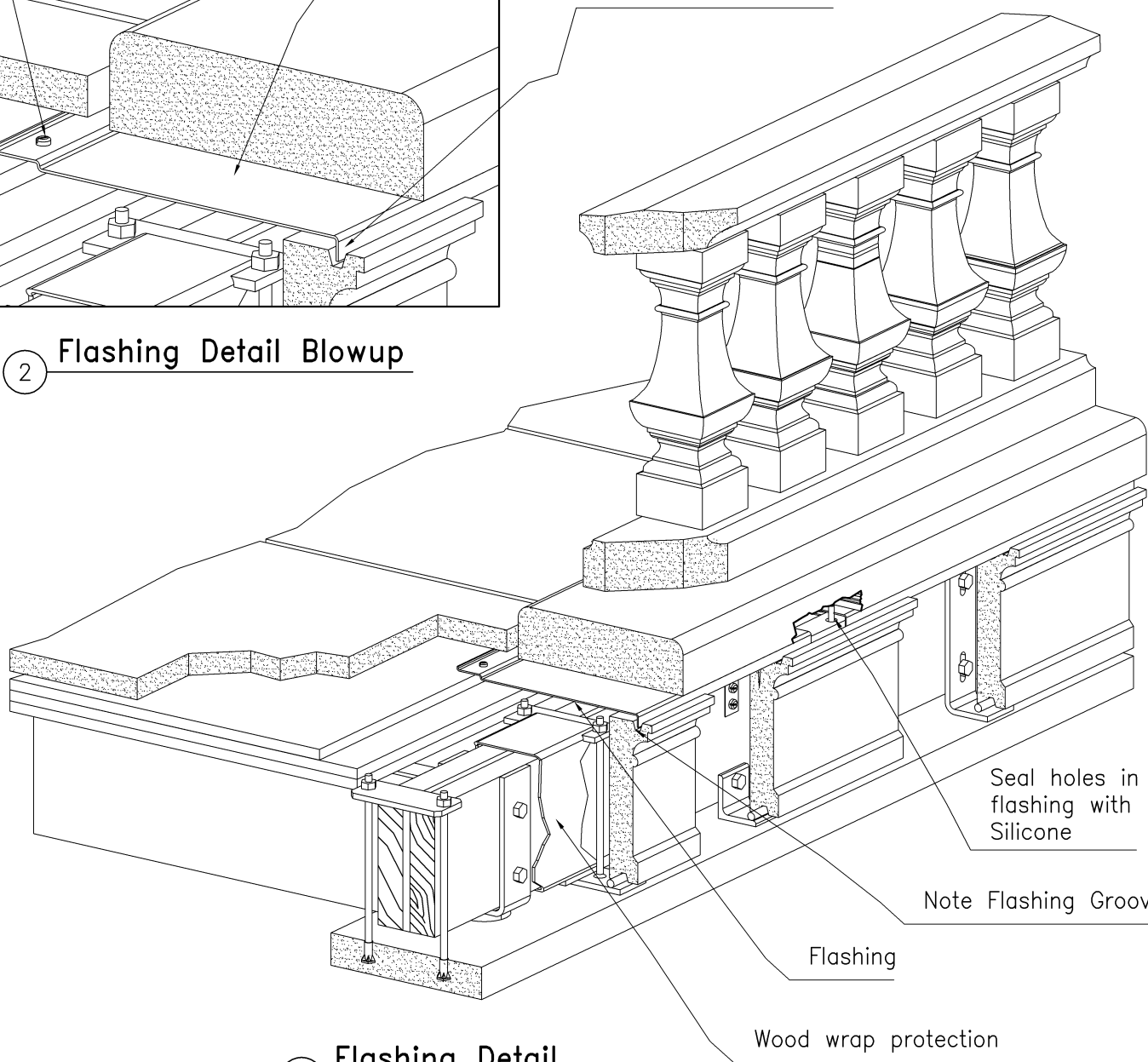
CLIENT:
PROJECT:

Spanned Entry Flashing Details [Wood Structure]



2 Flashing Detail Blowup

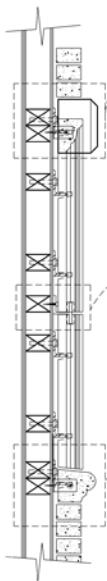
Note Flashing Groove



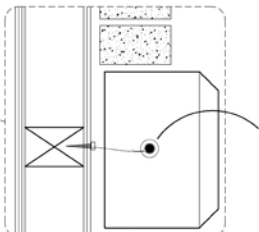
1 Flashing Detail

SCALE: NTS.

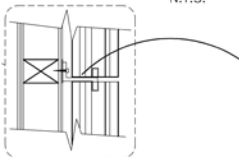
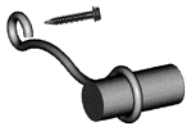
DEVELOPMENT DRAWING	TITLE: Spanned Entry Flashing Details [Wood Structure]																			
DRAWING DETAIL: Isometric																				
DESCRIPTION: Spanned Entry																				
NOTES:																				
<table border="1" style="width: 100%;"> <tr> <th colspan="2">Type Drawing</th> </tr> <tr> <td><input type="checkbox"/></td> <td>Interface & Assembly methods</td> </tr> <tr> <td><input type="checkbox"/></td> <td>Attachments</td> </tr> <tr> <td><input type="checkbox"/></td> <td>Details</td> </tr> <tr> <td><input checked="" type="checkbox"/></td> <td>Flashing</td> </tr> <tr> <td><input type="checkbox"/></td> <td>Cutting Details</td> </tr> <tr> <td><input type="checkbox"/></td> <td>Ball Code</td> </tr> <tr> <td><input type="checkbox"/></td> <td>Measuring & Dimensional Drawings</td> </tr> <tr> <td><input type="checkbox"/></td> <td>Attached to TYPE structure</td> </tr> </table>	Type Drawing		<input type="checkbox"/>	Interface & Assembly methods	<input type="checkbox"/>	Attachments	<input type="checkbox"/>	Details	<input checked="" type="checkbox"/>	Flashing	<input type="checkbox"/>	Cutting Details	<input type="checkbox"/>	Ball Code	<input type="checkbox"/>	Measuring & Dimensional Drawings	<input type="checkbox"/>	Attached to TYPE structure	DATE:	
	Type Drawing																			
<input type="checkbox"/>	Interface & Assembly methods																			
<input type="checkbox"/>	Attachments																			
<input type="checkbox"/>	Details																			
<input checked="" type="checkbox"/>	Flashing																			
<input type="checkbox"/>	Cutting Details																			
<input type="checkbox"/>	Ball Code																			
<input type="checkbox"/>	Measuring & Dimensional Drawings																			
<input type="checkbox"/>	Attached to TYPE structure																			
	DRAWING #:	ENTSW REV:																		



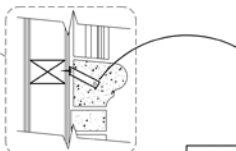
1 **CROSS SECTION**
BRICK WALL APPLICATION



2 **KEYSTONE ASSEMBLY**
N.T.S.



3 **STONE ASSEMBLY**
N.T.S.

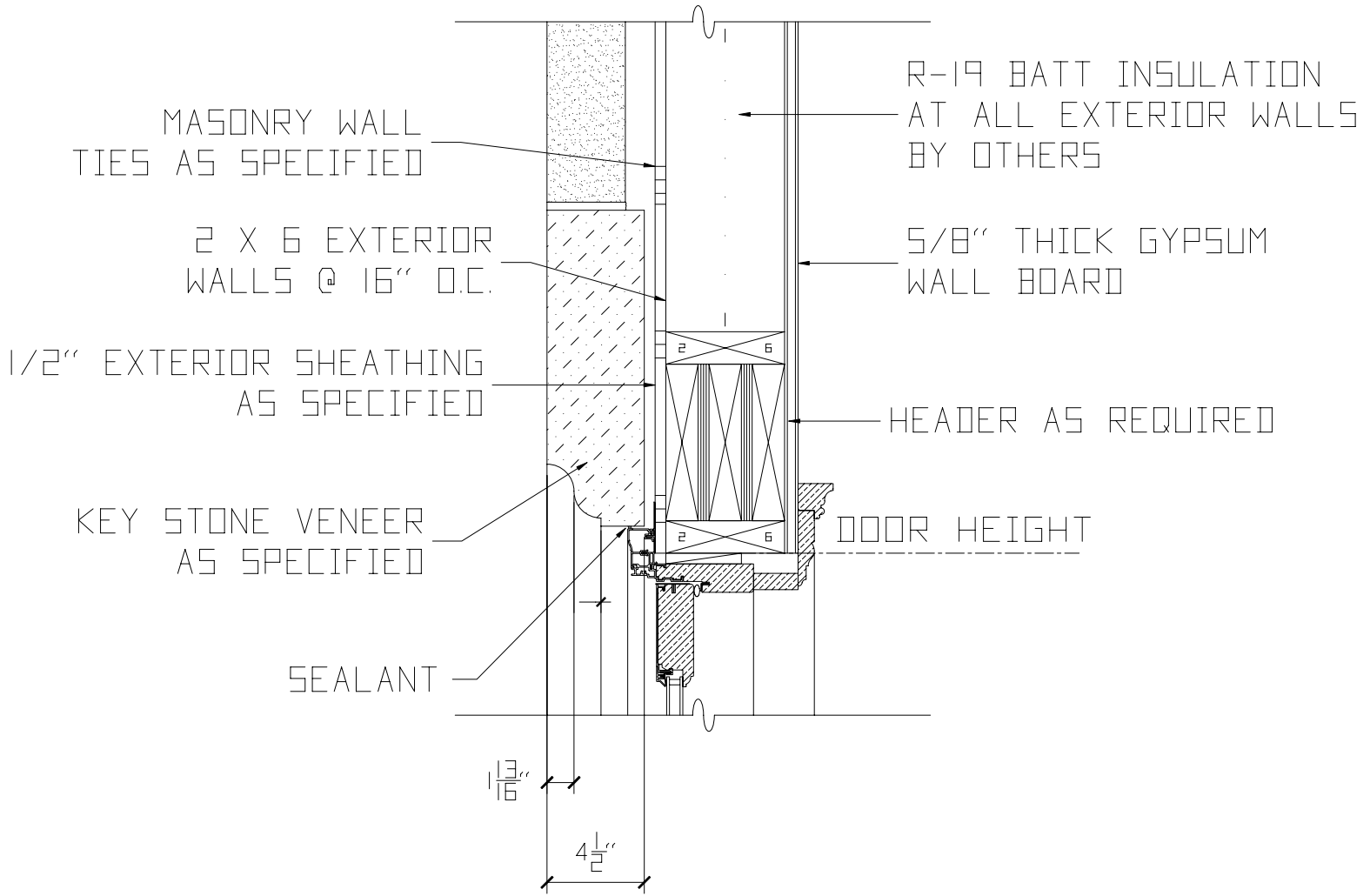


3 **STONE ASSEMBLY**
N.T.S.



SUPPORT SYSTEMS ARE ONLY SUGGESTIONS AND TO BE IMPLEMENTED BY OTHERS AS PER LOCAL ENGINEERING REQUIREMENTS.

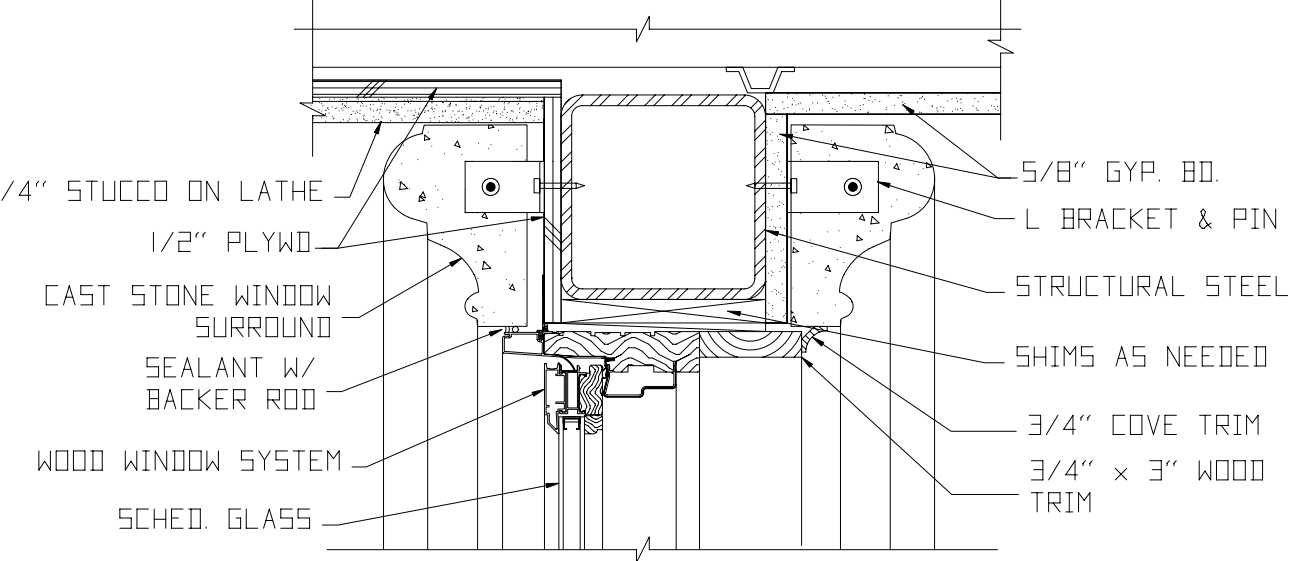
Attachment of Square Top Door Surround to a wood structure. Stone Legends Filestore ID 120015.



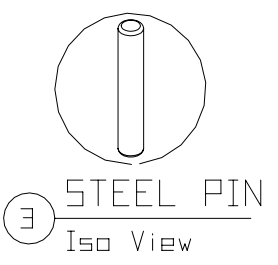
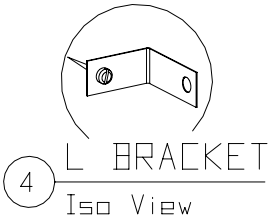
② Wall Section @ Door Header

STD 3/8" MORTAR JOINT

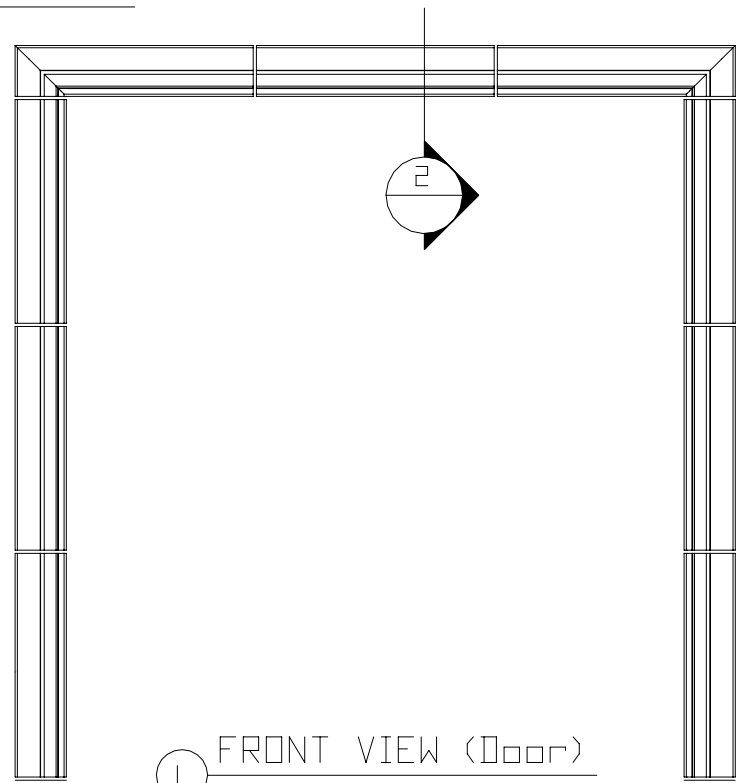
Attachment and Flashing of Square Top Door Surround.
 Stone Legends Filestore ID 120025.



2 Wall Section @ Door Header



ATTACHMENT DRAWINGS HAVE BEEN INCLUDED AS SUGGESTED INSTALLATION DETAILS ONLY; ALL ATTACHMENTS, STEEL SIZES, GAUGE THICKNESS, AND ANCHOR SIZES SHOULD BE CALCULATED BY A STRUCTURAL ENGINEER; STONE LEGENDS IS NOT LIABLE FOR INSTALLATION OF ANY KIND



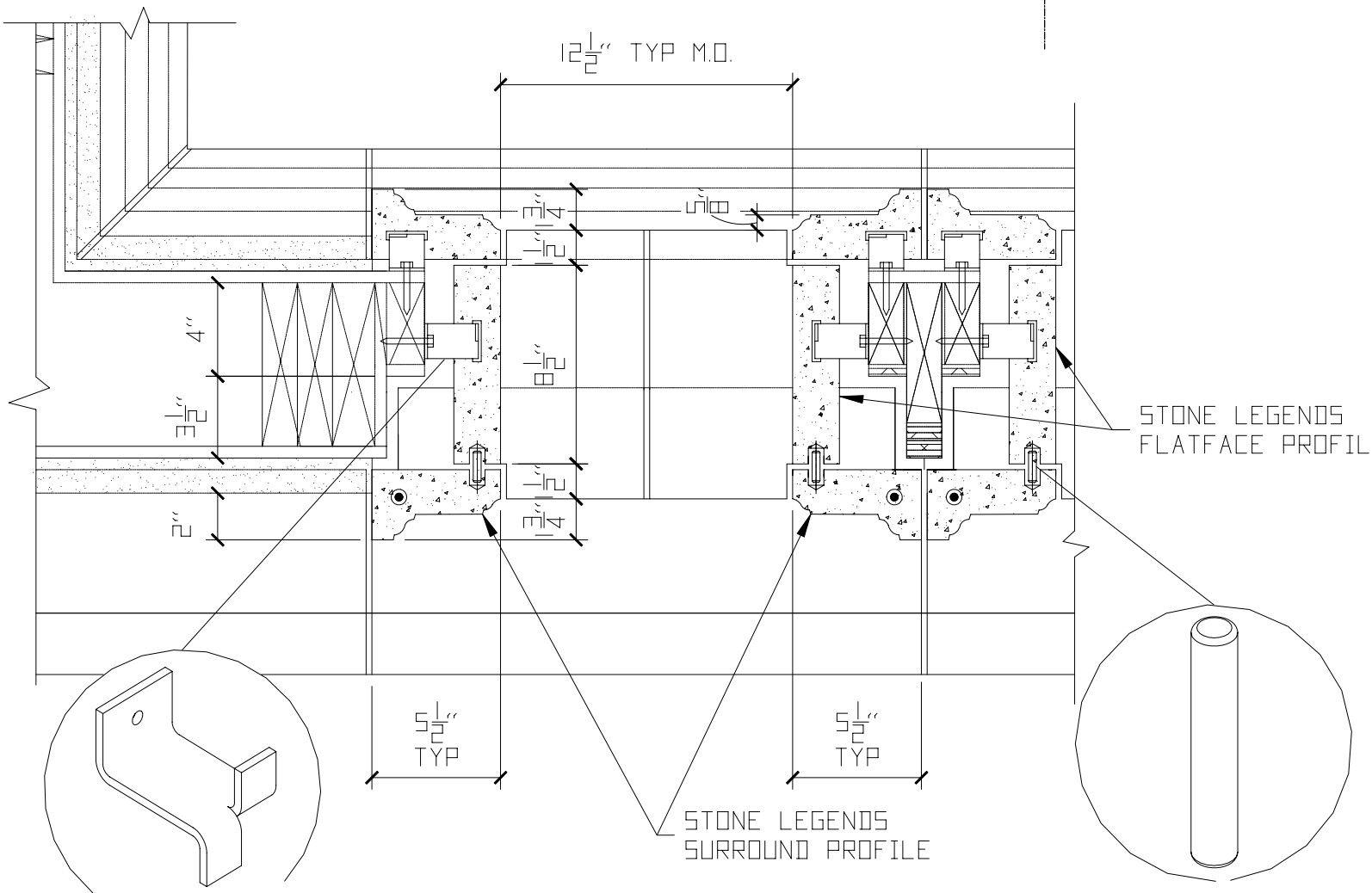
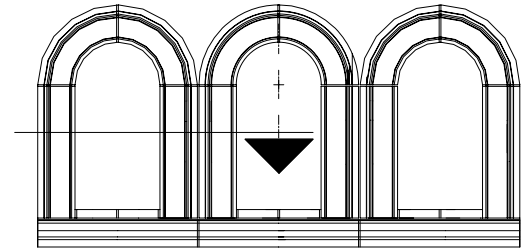
1 FRONT VIEW (Door)
Profile Marcus3

STD 3/8" MORTAR JOINT

Typical Framing Example on Double Sided Arches

Stone Legends Filestore ID 124159

ALL SUPPORT SYSTEMS PROVIDED BY OTHERS
 CLIP ANCHORS REQUIRED AT EVERY JOINT
 AND END; TWO-WAY ANCHORS PROVIDED BY
 OTHERS; MASON TO FIELD DRILL AND SLOT AS
 NECESSARY.

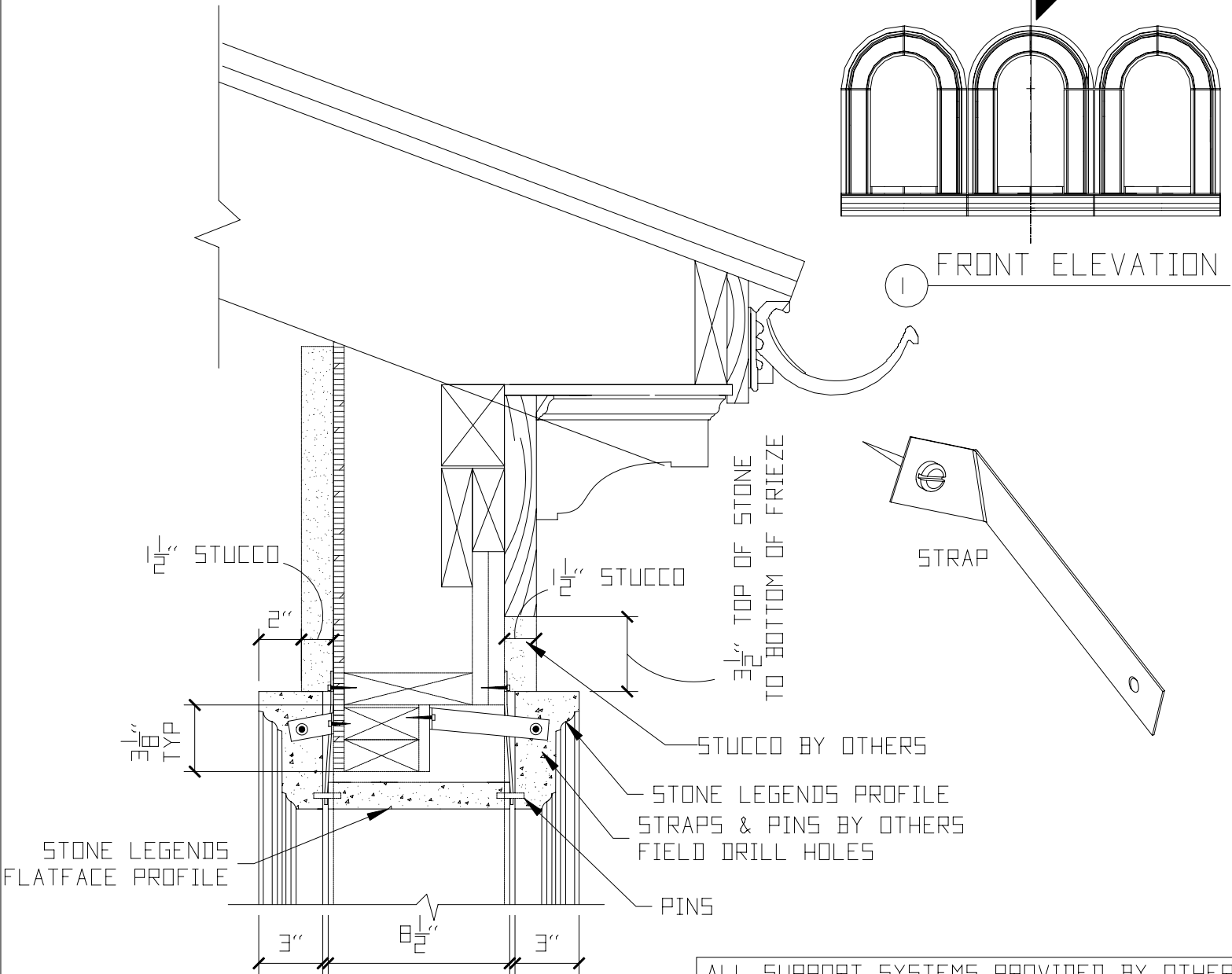
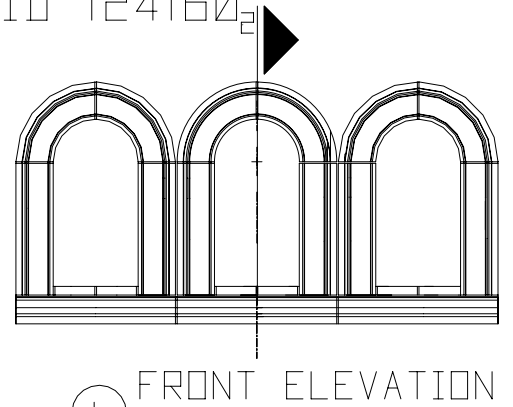


2 2 WAY-CLIP
 Iso View

1 CROSS SECTION @ SURROUND
 STD 3/8" MORTAR JOINT

3 STEEL PIN
 Iso View
 SCALE: N.T.S.

Typical Framing Example on Double Sided Arches
 Stone Legends Filestore ID 124160₂



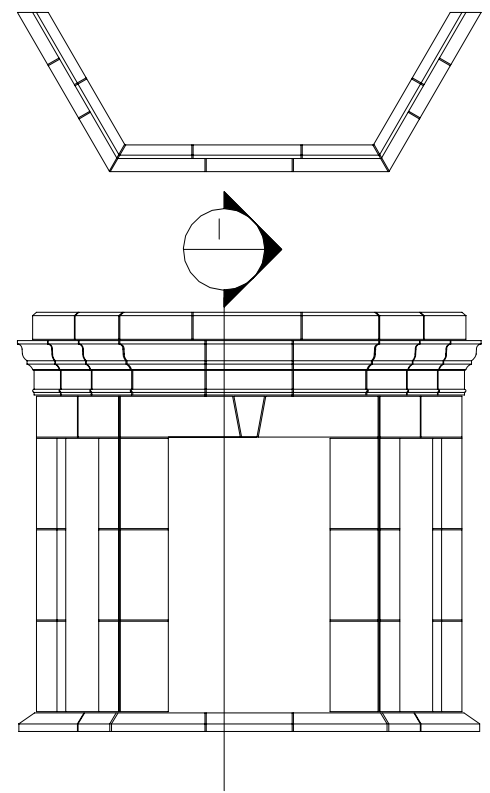
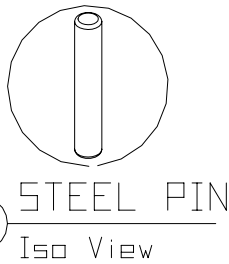
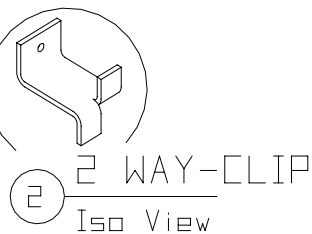
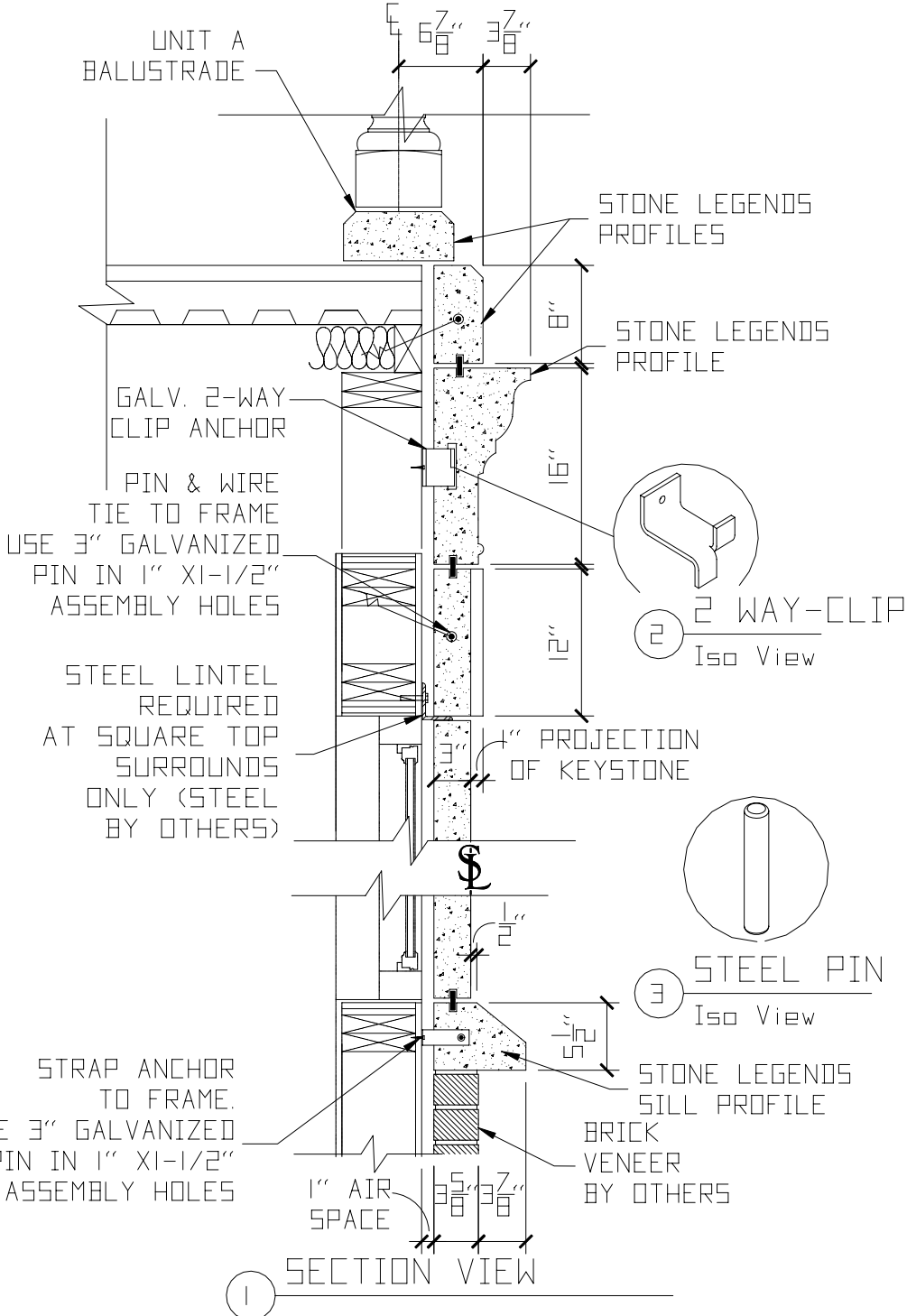
2 CROSS SECTION @ SURROUND

ALL SUPPORT SYSTEMS PROVIDED BY OTHERS
 CLIP ANCHORS REQUIRED AT EVERY JOINT
 AND END; TWO-WAY ANCHORS PROVIDED BY
 OTHERS; MASON TO FIELD DRILL AND SLOT AS
 NECESSARY.

STD 3/8" MORTAR JOINT

SCALE: N.T.S.

Attachment of Bay Window to a wood structure



ALL ATTACHMENTS, STEEL SIZES, GAUGE THICKNESS, AND ANCHOR SIZES SHOULD BE CALCULATED BY A STRUCTURAL ENGINEER; STONE LEGENDS IS NOT LIABLE FOR INSTALLATION OF ANY KIND

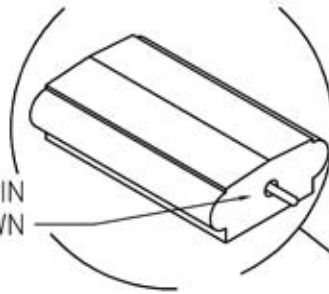
STD. 3/8" MORTAR JOINTS

SCALE: N.T.S.

How to assemble Balustrade with Pins

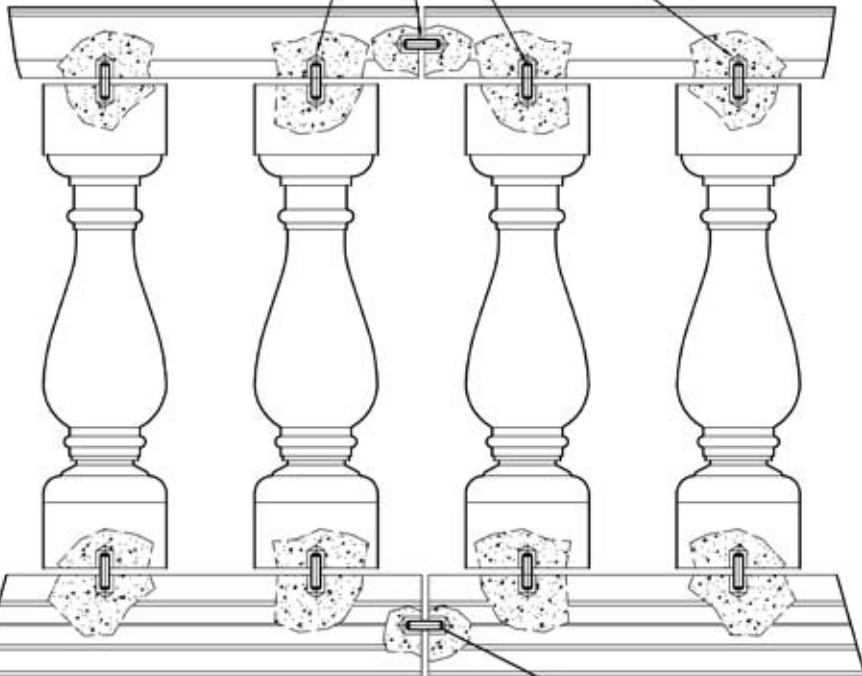
DRILL & PIN
AS SHOWN

DRILL & PIN
AS SHOWN



ISO VIEW

3



DETAIL VIEW

1

HANDRAIL
DRILL & PIN
AS SHOWN

BALUSTER.

BASERAIL

DRILL & PIN
AS SHOWN

CROSS SECTION

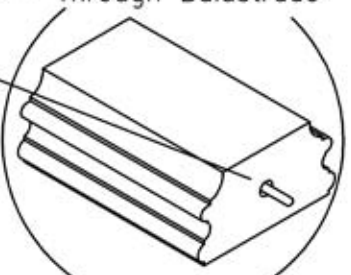
Through Balustrade

4



STEEL PIN

2



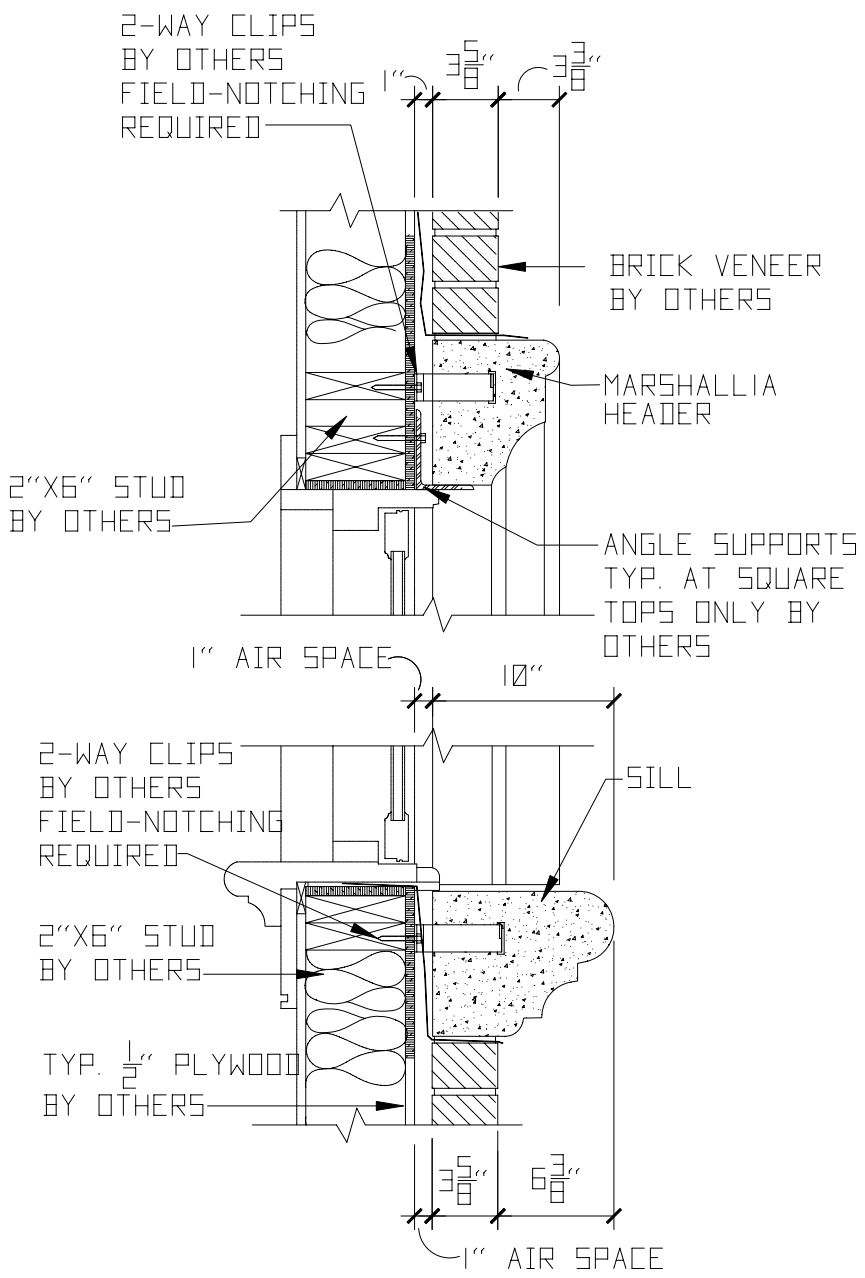
ISO VIEW

3

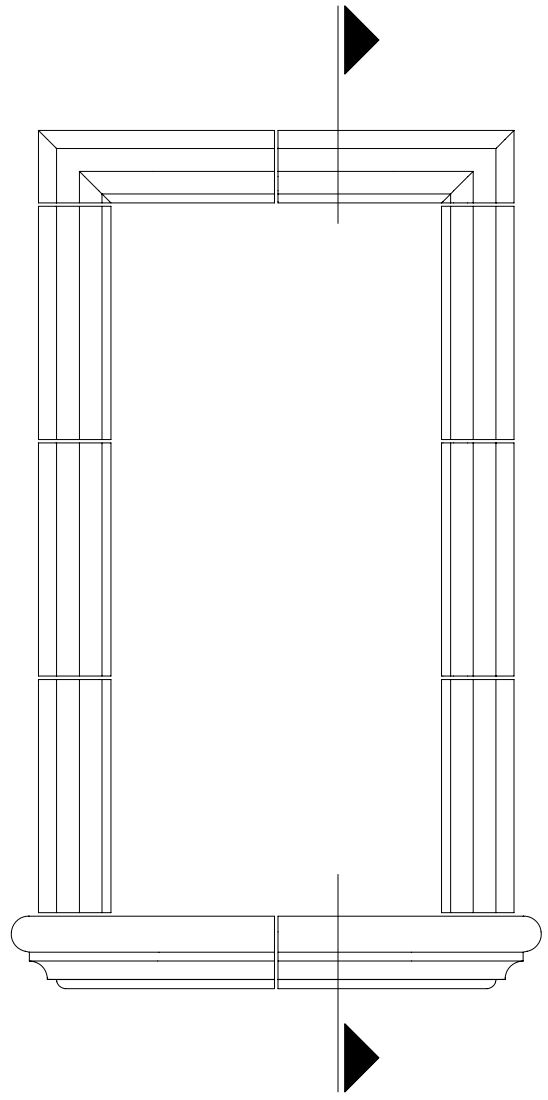
SCALE: NTS.

ATTACHMENT DRAWINGS HAVE BEEN INCLUDED AS SUGGESTED INSTALLATION DETAILS ONLY; ALL ATTACHMENTS, STEEL SIZES, GAUGE THICKNESS, AND ANCHOR SIZES SHOULD BE CALCULATED BY A STRUCTURAL ENGINEER; STONE LEGENDS IS NOT LIABLE FOR INSTALLATION OF ANY KIND

Attachment and Flashing of Square Top Door surround to a wood structure 123385



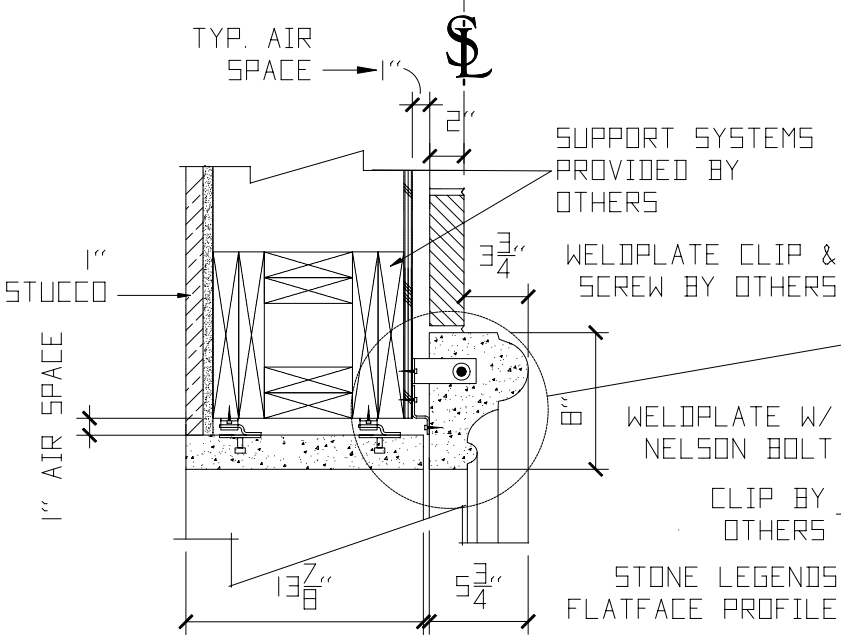
2 VERTICAL SECTION



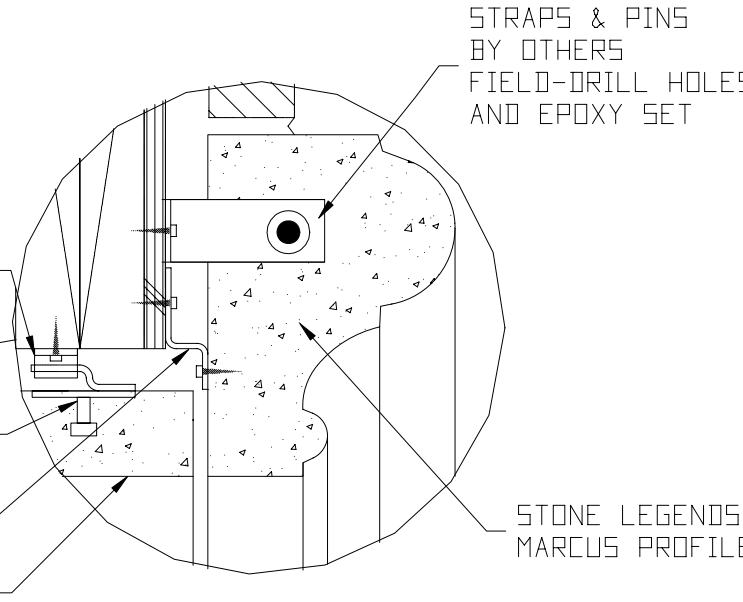
1 Square Top Window

STD 3/8" MORTAR JOINT

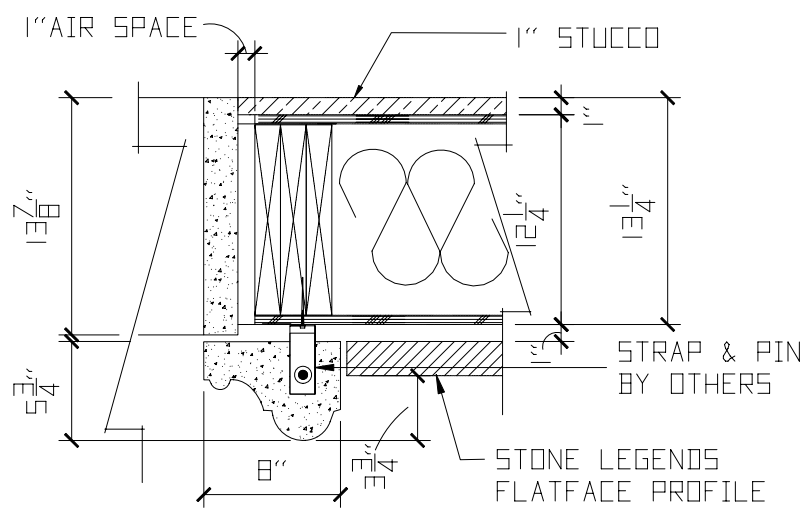
Attachment of Entry Soffit to a Wood Structure. Stone Legends Filestore ID 123491



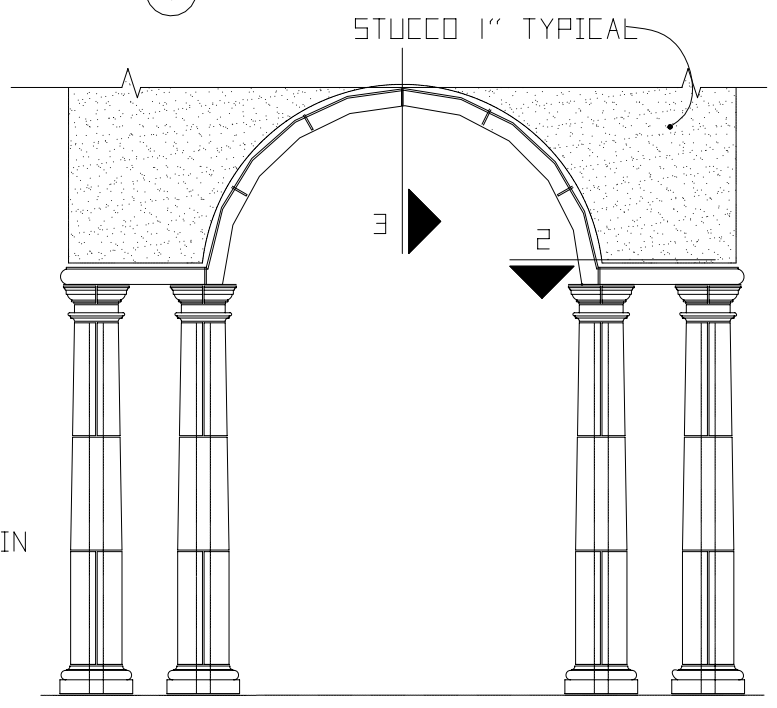
SECTION @ HEADER



ENLARGED VIEW

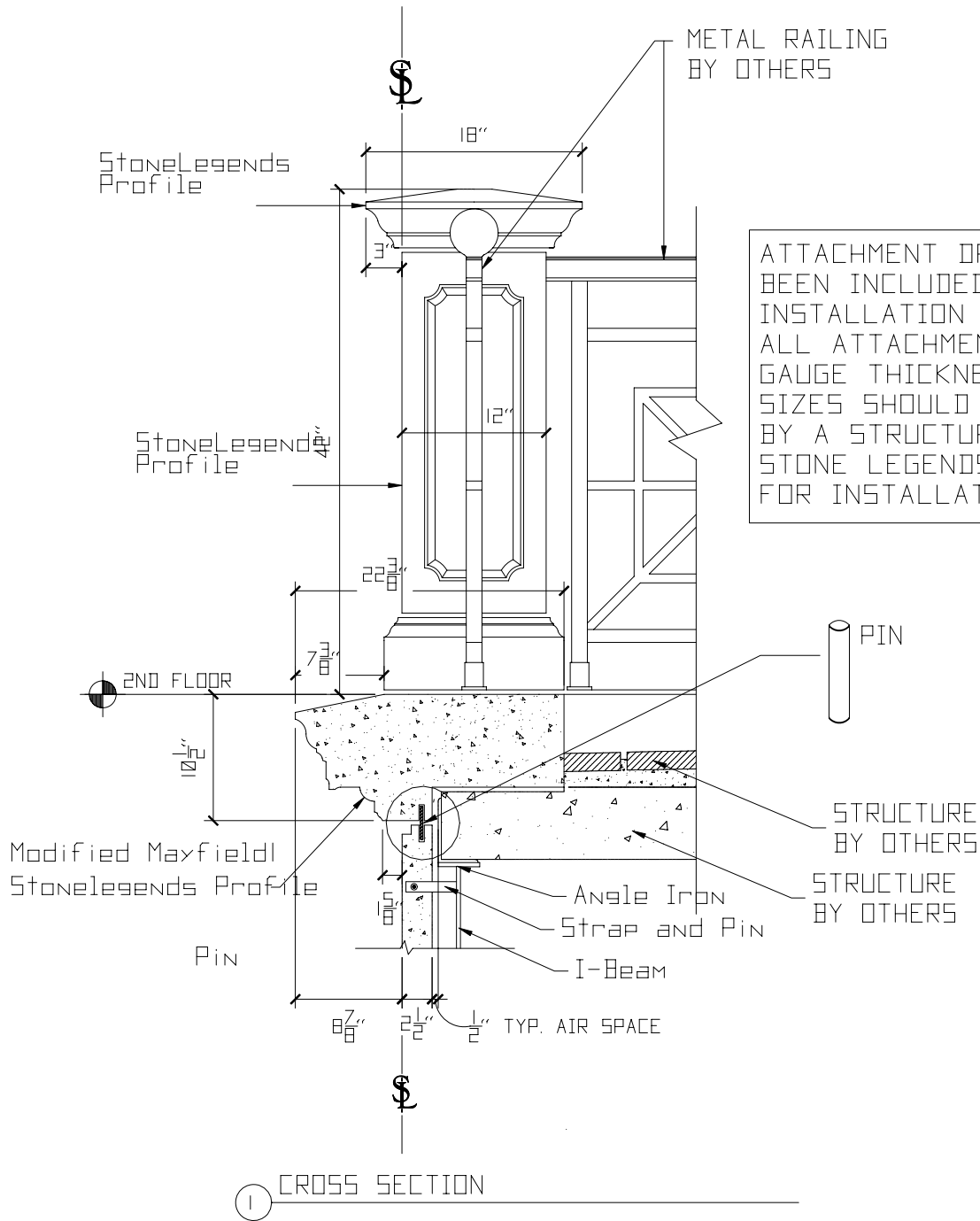


SECTION @ LEG



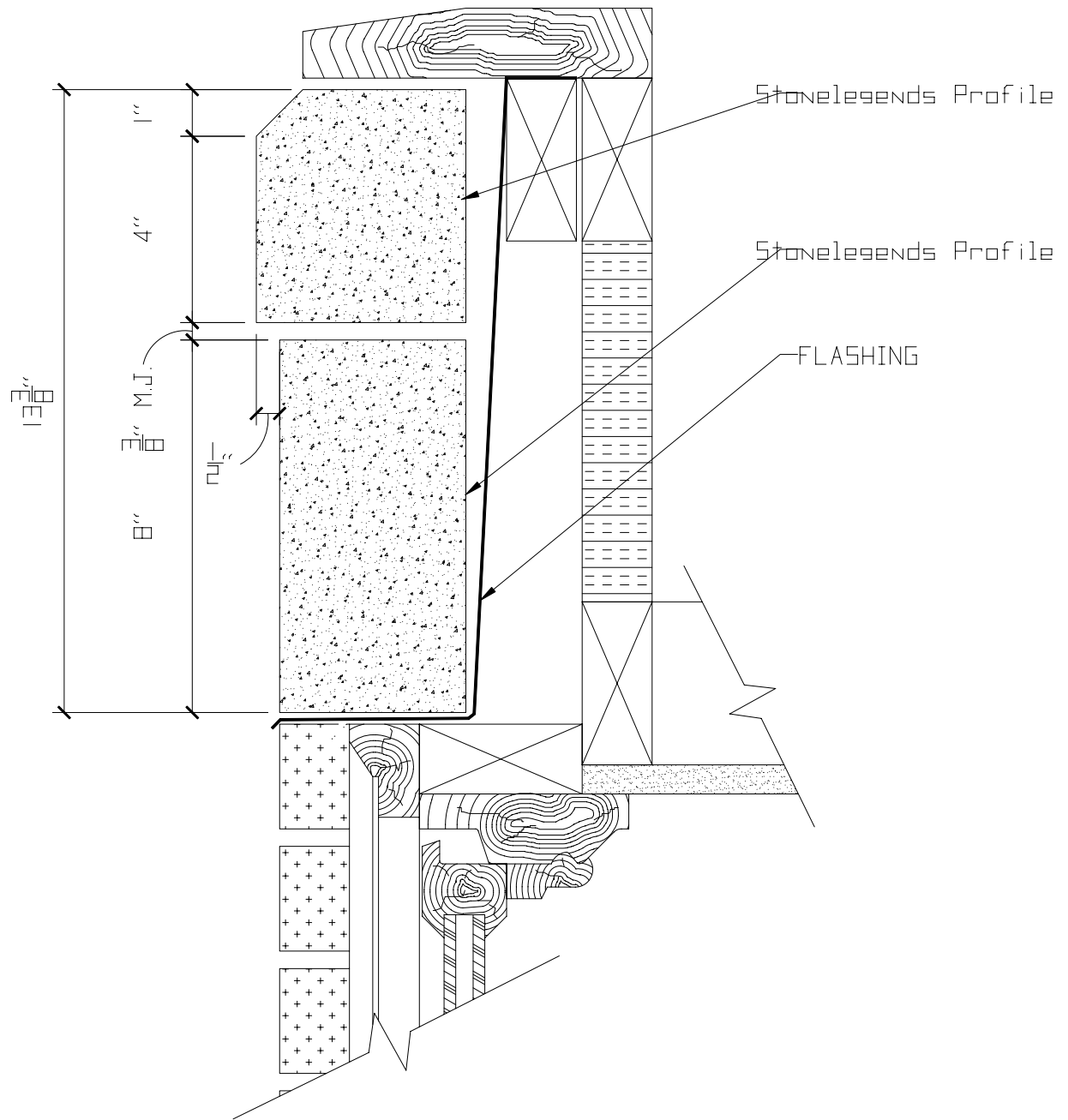
FRONT VIEW

How to continue Banding into Balcony and place Newel on top. Filestore ID 119619

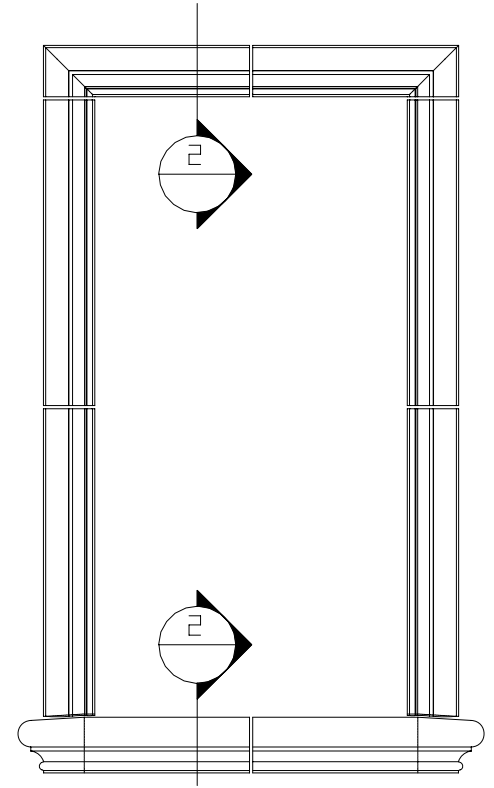
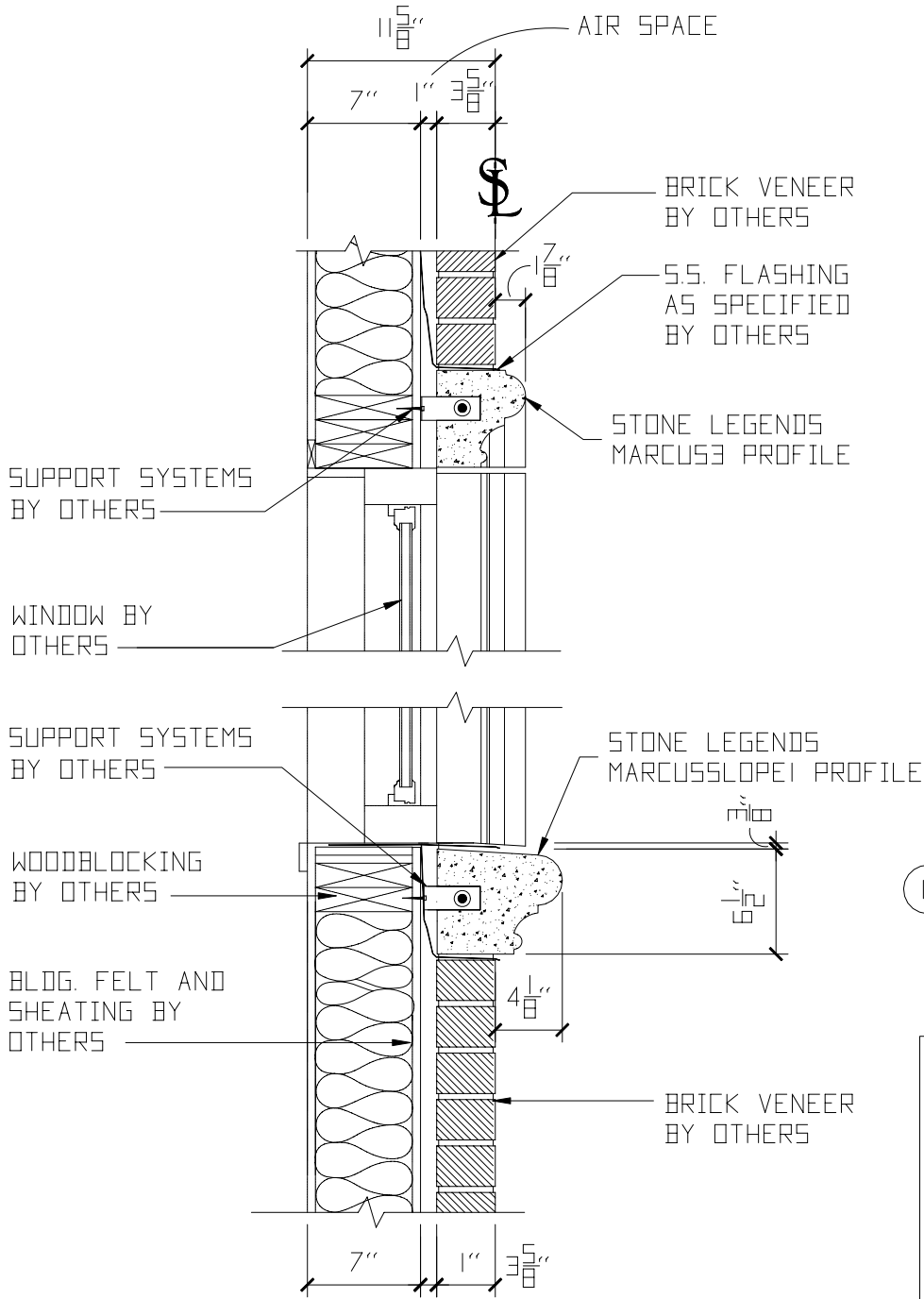


How to Flash Banding

Stone Legends Filestore ID 119815



Attachment and Flashing of Square Top Window Surround to a wood structure. Stone Legends Filestore ID 11988

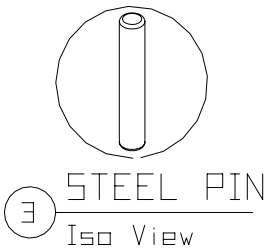
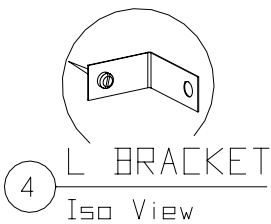
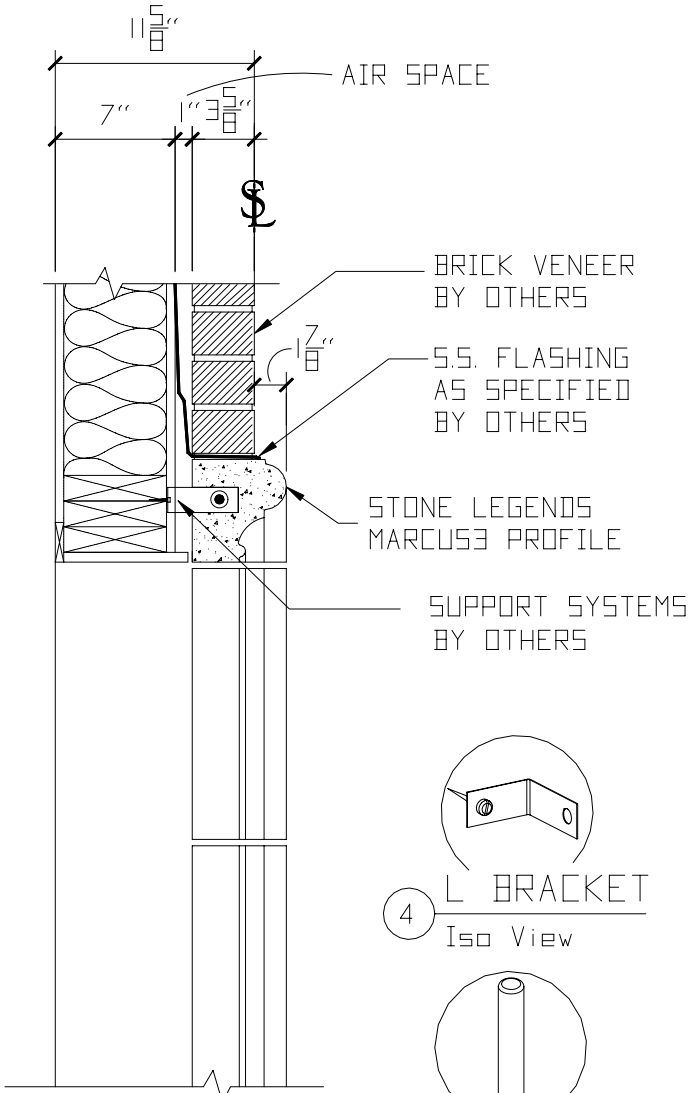


1 FRONT VIEW (Window)
Marcus3 Marcus5lope1

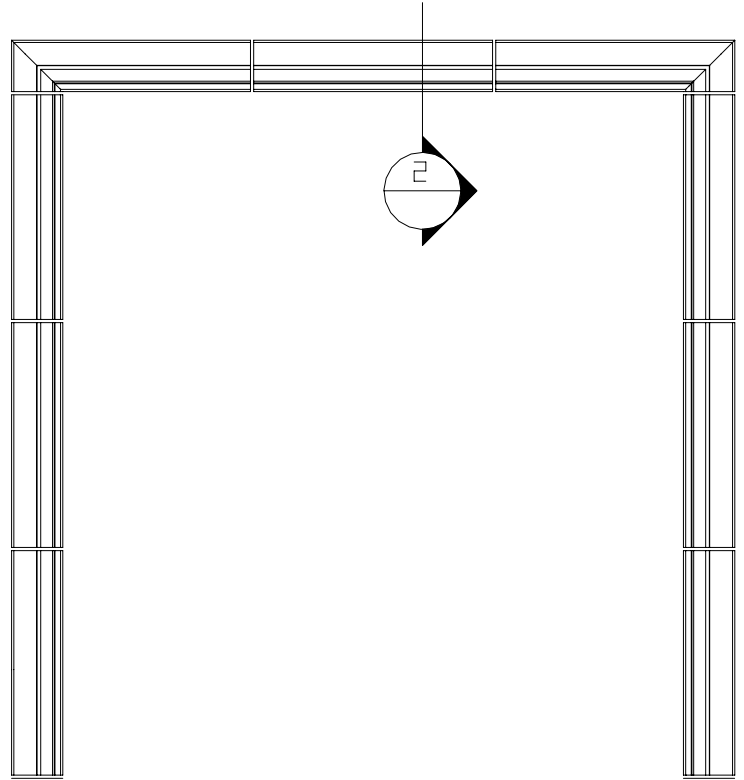
2 Wall Section @ window Unit

ATTACHMENT DRAWINGS HAVE BEEN INCLUDED AS SUGGESTED INSTALLATION DETAILS ONLY; ALL ATTACHMENTS, STEEL SIZES, GAUGE THICKNESS, AND ANCHOR SIZES SHOULD BE CALCULATED BY A STRUCTURAL ENGINEER; STONE LEGENDS IS NOT LIABLE FOR INSTALLATION OF ANY KIND

Attachment and Flashing of Square Top Door Surround
to a wood structure. Stone Legends Filestore ID 1198



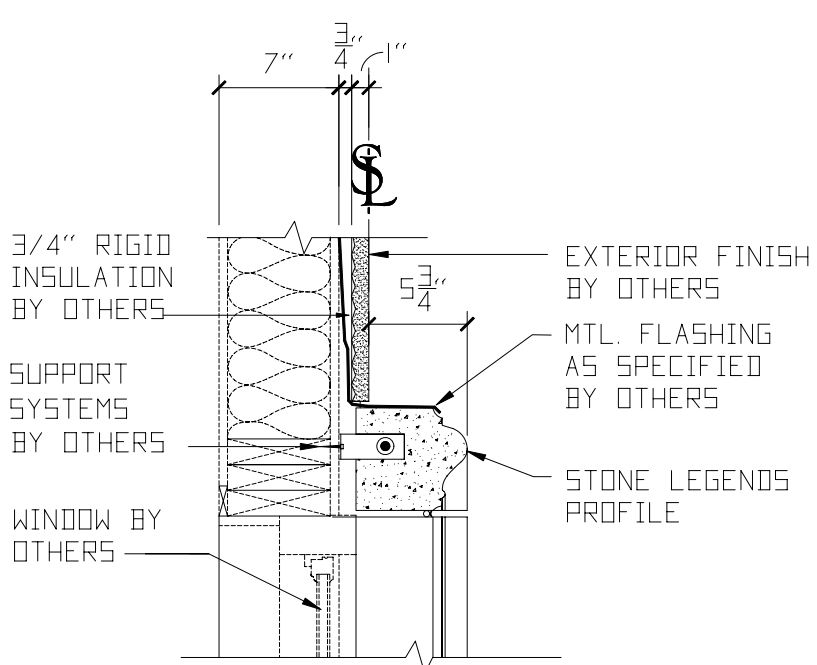
2 Wall Section @ Door Header



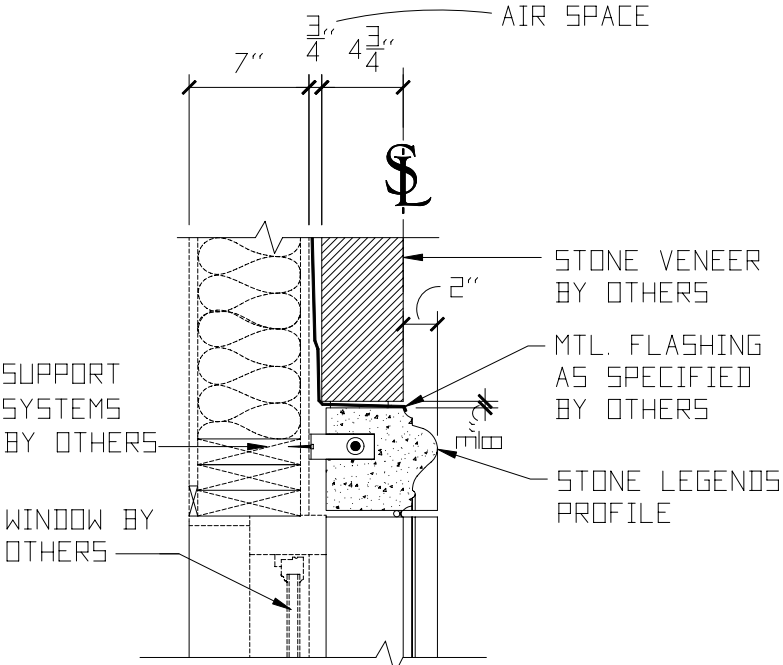
ATTACHMENT DRAWINGS HAVE BEEN INCLUDED AS SUGGESTED INSTALLATION DETAILS ONLY; ALL ATTACHMENTS, STEEL SIZES, GAUGE THICKNESS, AND ANCHOR SIZES SHOULD BE CALCULATED BY A STRUCTURAL ENGINEER; STONE LEGENDS IS NOT LIABLE FOR INSTALLATION OF ANY KIND

STD 3/8" MORTAR JOINT

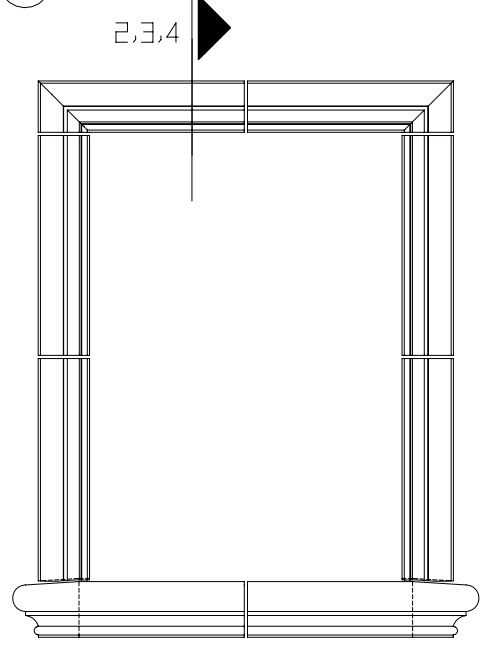
3 Ways to do Flashing on Window Header When joined to Stucco, Brick or Stone veneer 11989



2 Header to (Stucco Top)

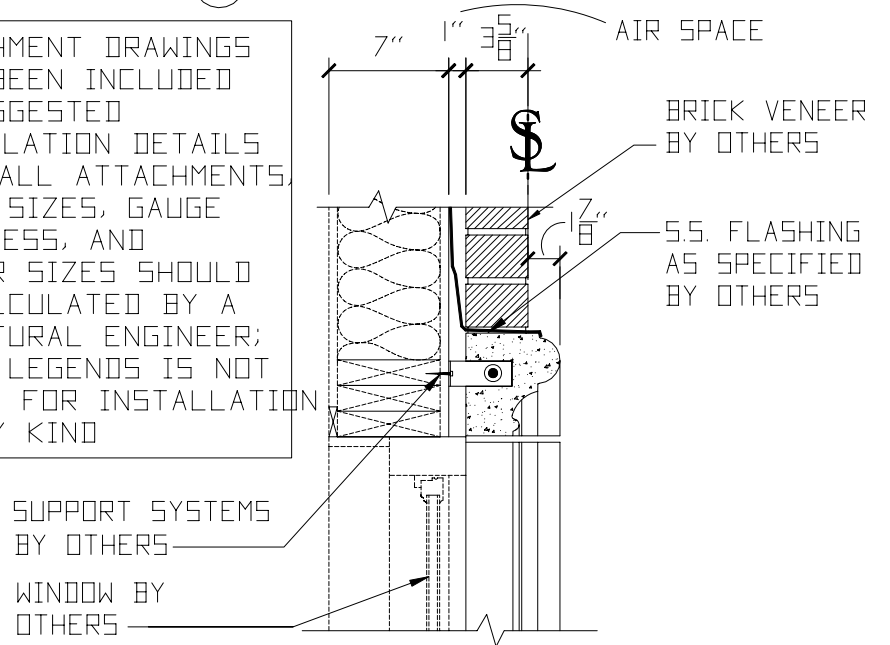


3 Header to (Stone Veneer)



1 Window Front View

ATTACHMENT DRAWINGS
HAVE BEEN INCLUDED
AS SUGGESTED
INSTALLATION DETAILS
ONLY; ALL ATTACHMENTS,
STEEL SIZES, GAUGE
THICKNESS, AND
ANCHOR SIZES SHOULD
BE CALCULATED BY A
STRUCTURAL ENGINEER;
STONE LEGENDS IS NOT
LIABLE FOR INSTALLATION
OF ANY KIND



4 Header to (Brick Veneer)