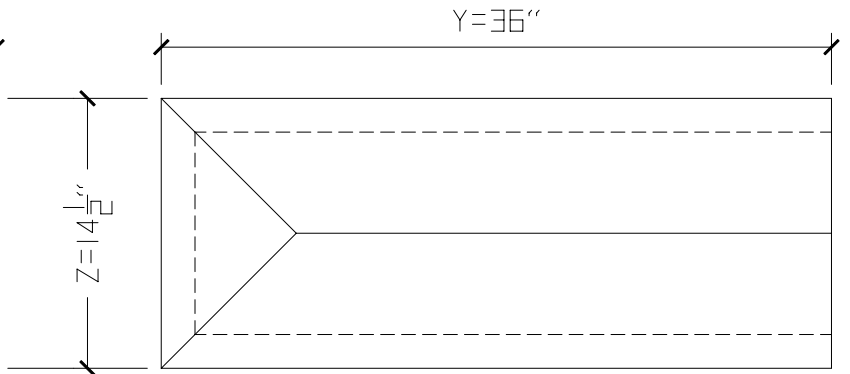
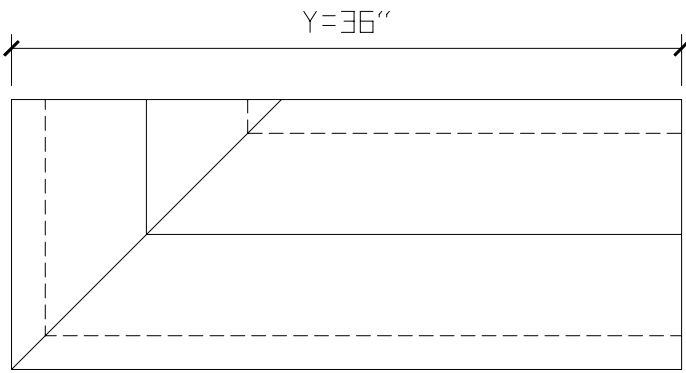


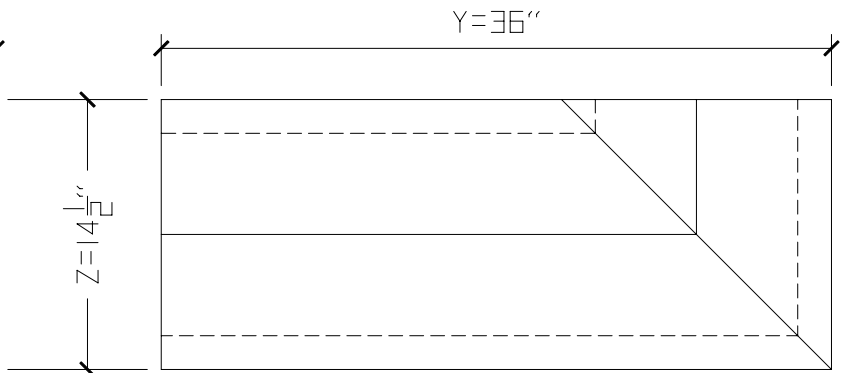
1 TOP VIEW
STRAIGHT QTY: _____



2 TOP VIEW
FINISHED END QTY: _____



3 TOP VIEW
COPE LEFT QTY: _____



4 TOP VIEW
COPE RIGHT QTY: _____

PIECES SUPPLIED IN
36" LENGTHS FOR
CUT TO FIT IN FIELD

Unit ID1417