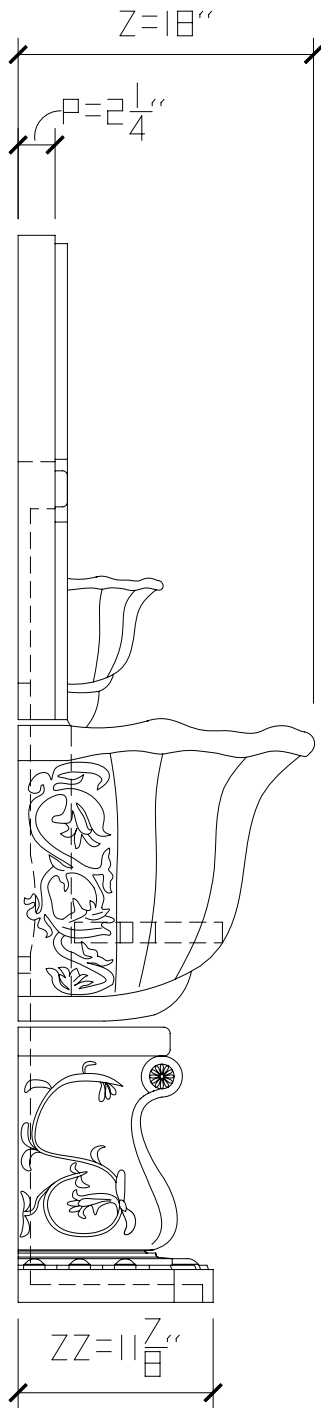
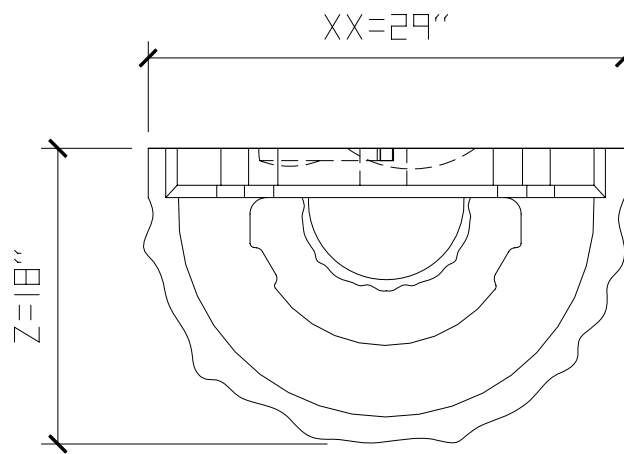


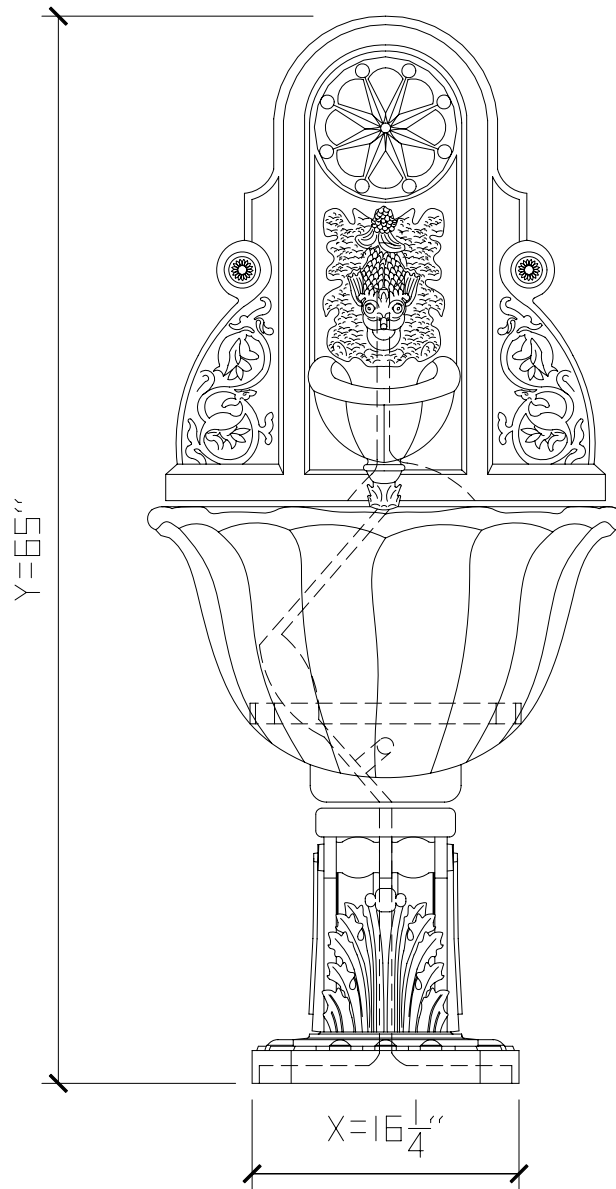
FACTORY APPLIED EPOXY FINISH TO ALL SURFACES



2 SIDE VIEW



3 TOP VIEW



1 FRONT VIEW  
OSHIMA ISLE

STD 3/8" MORTAR JOINT

Unit ID: 17103