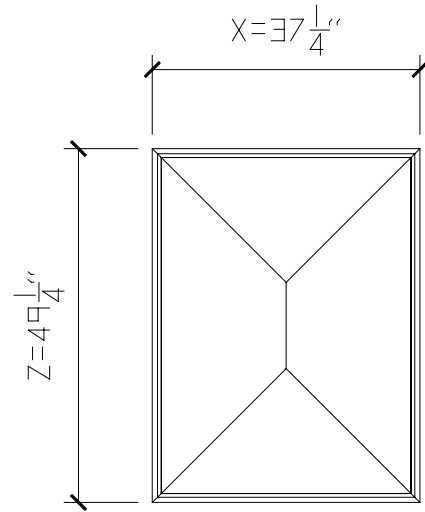
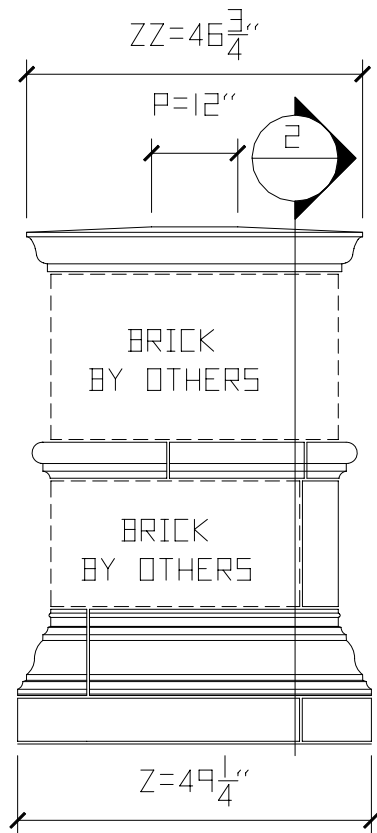


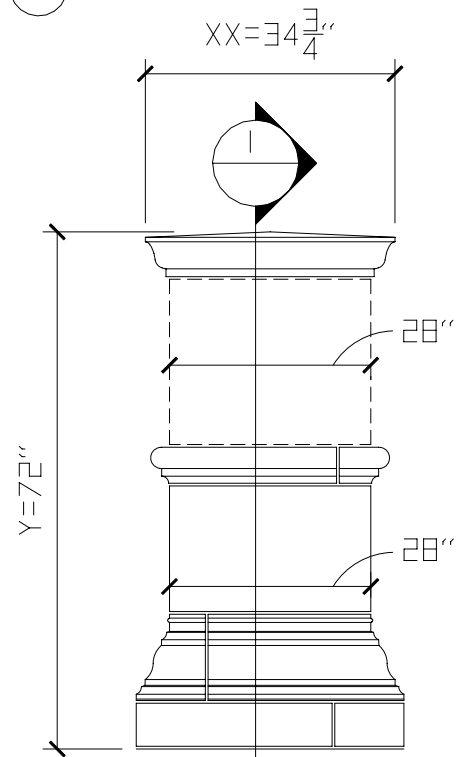
Verify Copy:  
 Font: Times Bold  
 Size: 3 3/4" H X 3/4" Dp.  
 \_\_\_\_\_  
 (5 Characters Maximum)



③ TOP VIEW



② SIDE VIEW



① FRONT VIEW  
 STONEHENGE OGEE

STD 3/8" MORTAR JOINTS

Unit 1077