

GENERIC COLUMN

PLEASE SELECT ONE



SOLID



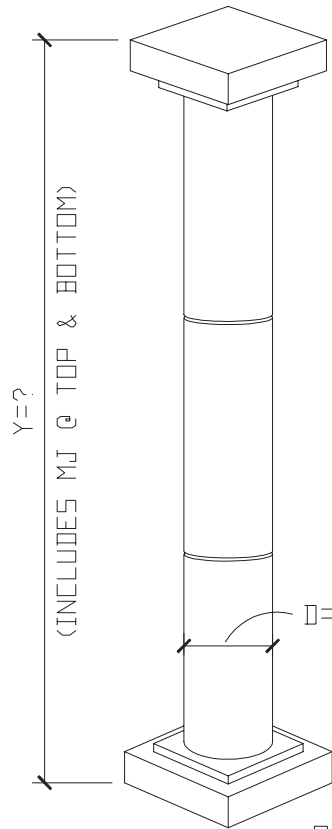
HOLLOW



EXAMPLE PHOTO OF COLUMN

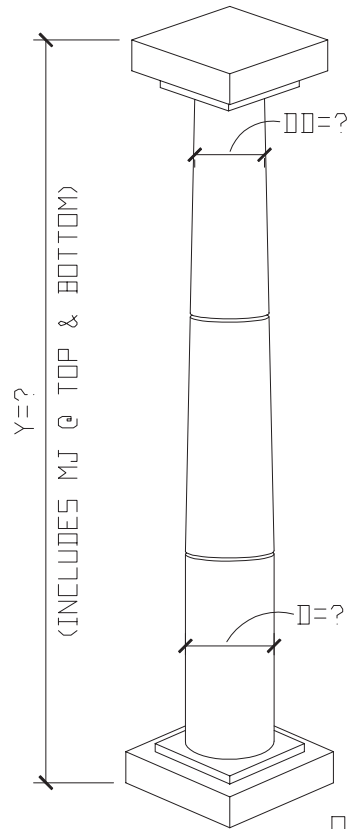
CHOOSE PROFILE:

? _____



QTY: _____

① ISOMETRIC VIEW
COLUMN STRAIGHT SMOOTH



QTY: _____

① ISOMETRIC VIEW
COLUMN TAPERED SMOOTH

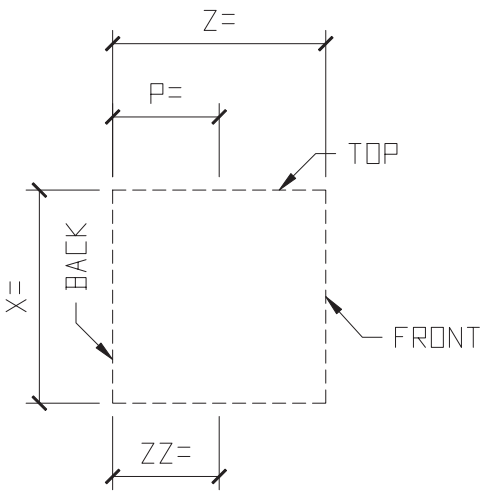
For proportional reasons, 6 shaft segments are suggested when a column is 14' or taller.

STANDARD COLOR CHOICES:
TAN \ WHITE \ BUFF

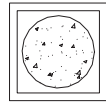
Please print clearly

Unit ID#2921

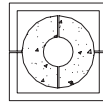
GENERIC COLUMN



PLEASE SELECT ONE



SOLID

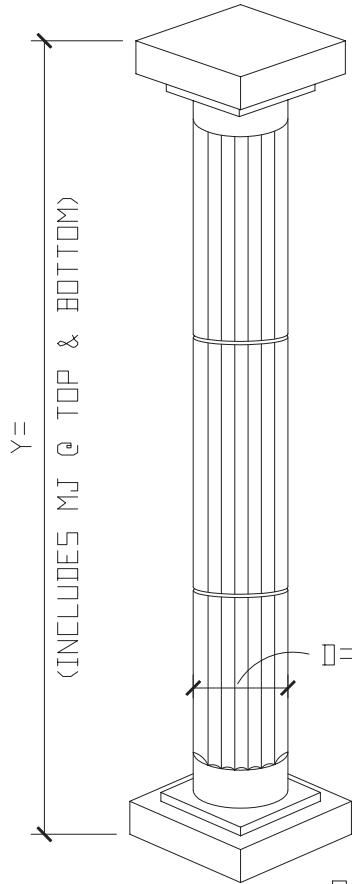


HOLLOW

CHOOSE PROFILE:

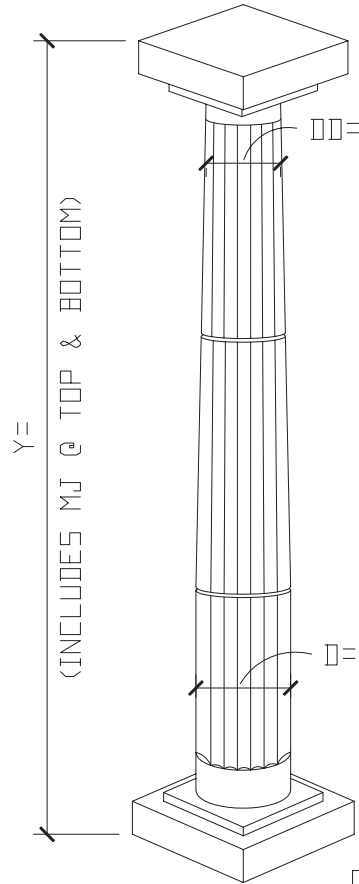


EXAMPLE PHOTO OF COLUMN



QTY: _____

① ISOMETRIC VIEW
COLUMN STRAIGHT FLUTED



QTY: _____

① ISOMETRIC VIEW
COLUMN TAPERED FLUTED

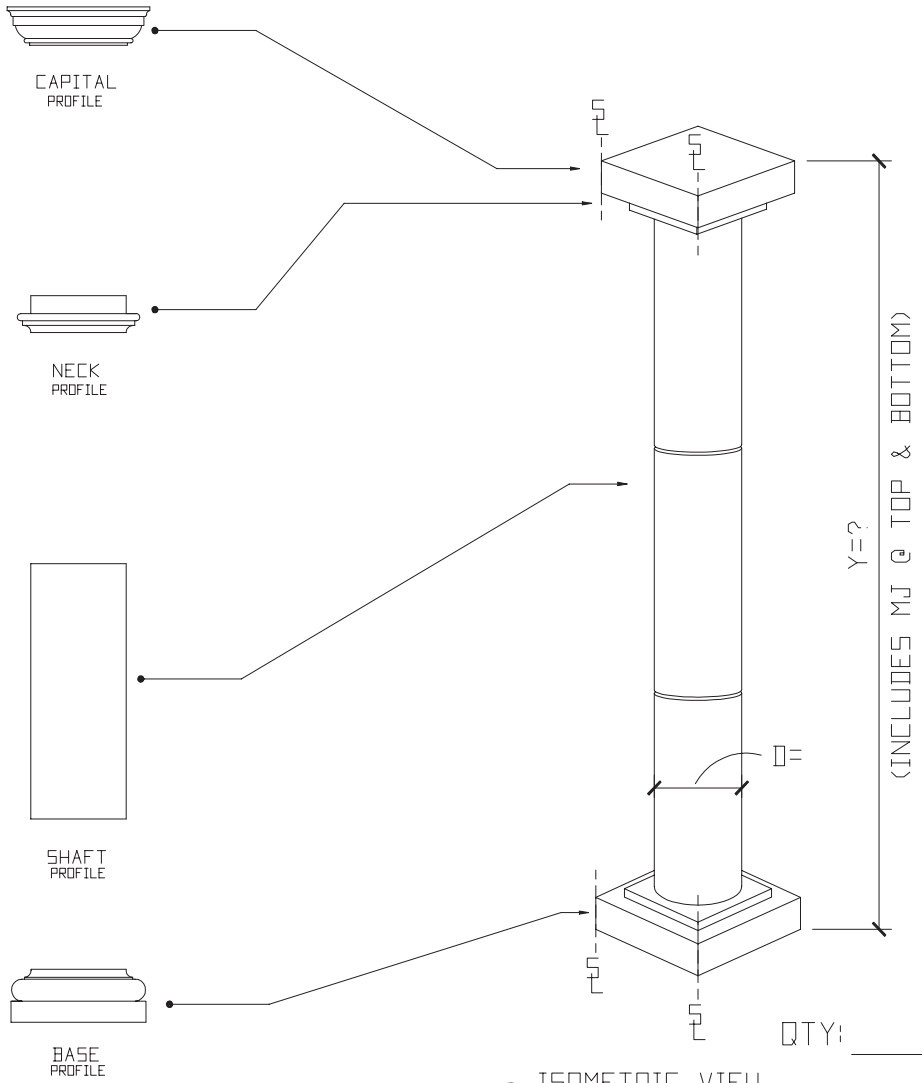
For proportional reasons, 6 shaft segments are suggested when a column is 14' or taller.

STANDARD COLOR CHOICES:
TAN \ WHITE \ BUFF

Please print clearly

Unit ID: 2922

COLUMN



① ISOMETRIC VIEW
COLUMN STRAIGHT SMOOTH



EXAMPLE PHOTO OF COLUMN

For proportional reasons, 6 shaft segments are suggested when a column is 14' or shorter.
STANDARD COLOR CHOICES:
TAN \ WHITE \ BUFF

Please print clear

Unit ID: