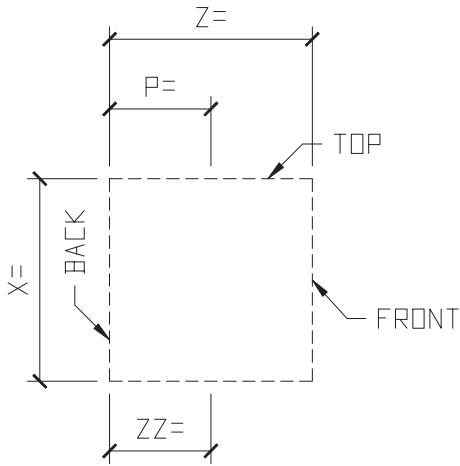


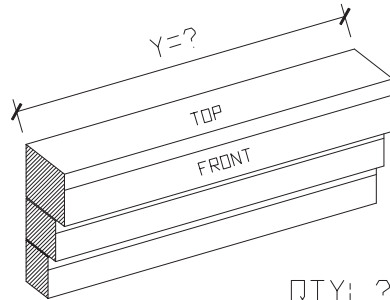
GENERIC ENTABLATURE



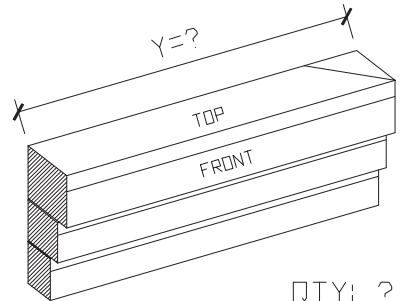
EXAMPLE PHOTO OF ENTABLATURE

CHOOSE PROFILE:

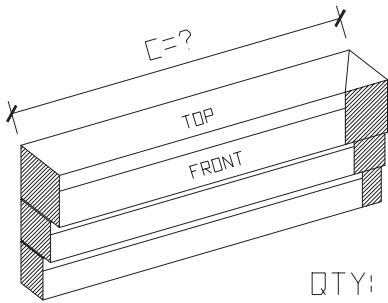
?



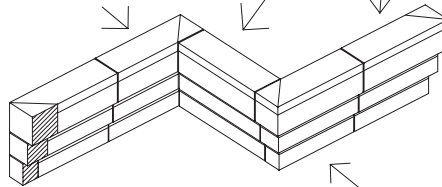
① ISOMETRIC VIEW
STRAIGHT



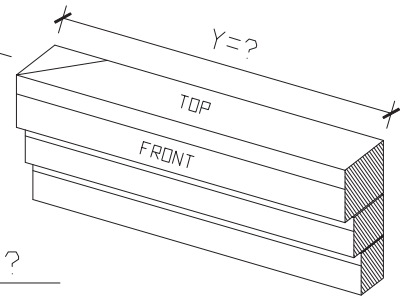
④ ISOMETRIC VIEW
STRAIGHT



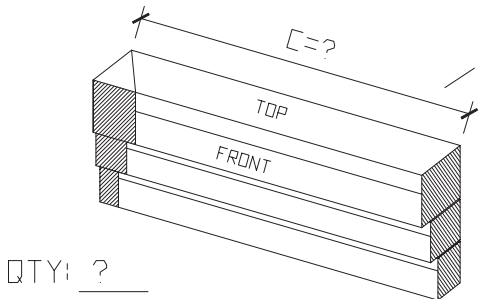
② ISOMETRIC VIEW
COPE INSIDE RIGHT



⑥ ISOMETRIC VIEW
ENTABLATURE



⑤ ISOMETRIC VIEW
COPE INSIDE LEFT



③ ISOMETRIC VIEW
COPE INSIDE LEFT

STANDARD COLOR CHOICES:
TAN \ WHITE \ BUFF

CUT TO FIT LENGTHS ARE
SUPPLIED IN 36" PIECES

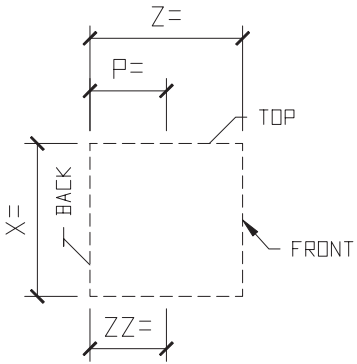
Please print clearly

Unit ID#7706

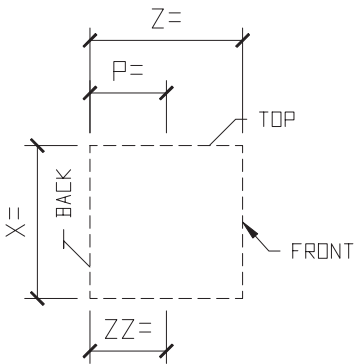
GENERIC ENTABLATURE



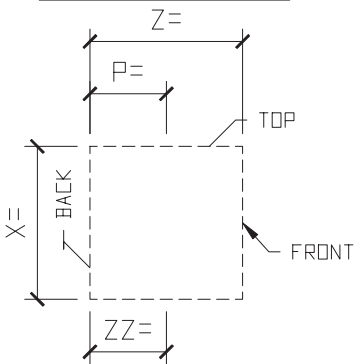
EXAMPLE PHOTO OF ENTABLATURE



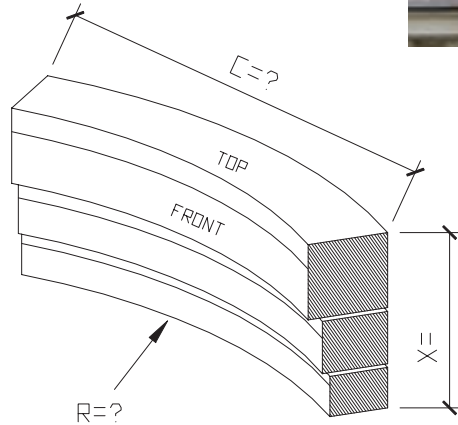
NO. 3 PROFILE:
?



NO. 2 PROFILE:
?

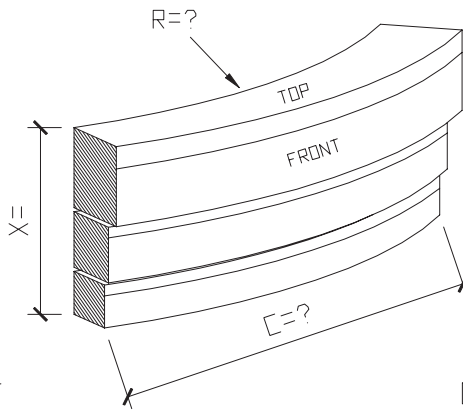


NO. 1 PROFILE:
?



① ISOMETRIC VIEW
COPE INSIDE RADIUS

QTY: ?



② ISOMETRIC VIEW
COPE OUTSIDE RADIUS

QTY: ?

TOTAL
LINEAR FEET=?

STANDARD COLOR CHOICES:
TAN \ WHITE \ BUFF

CUT TO FIT LENGTHS ARE
SUPPLIED IN 36" PIECES

Please print clearly

Unit ID: 17705