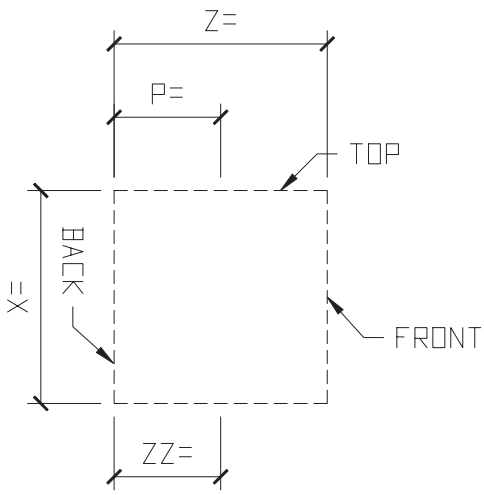
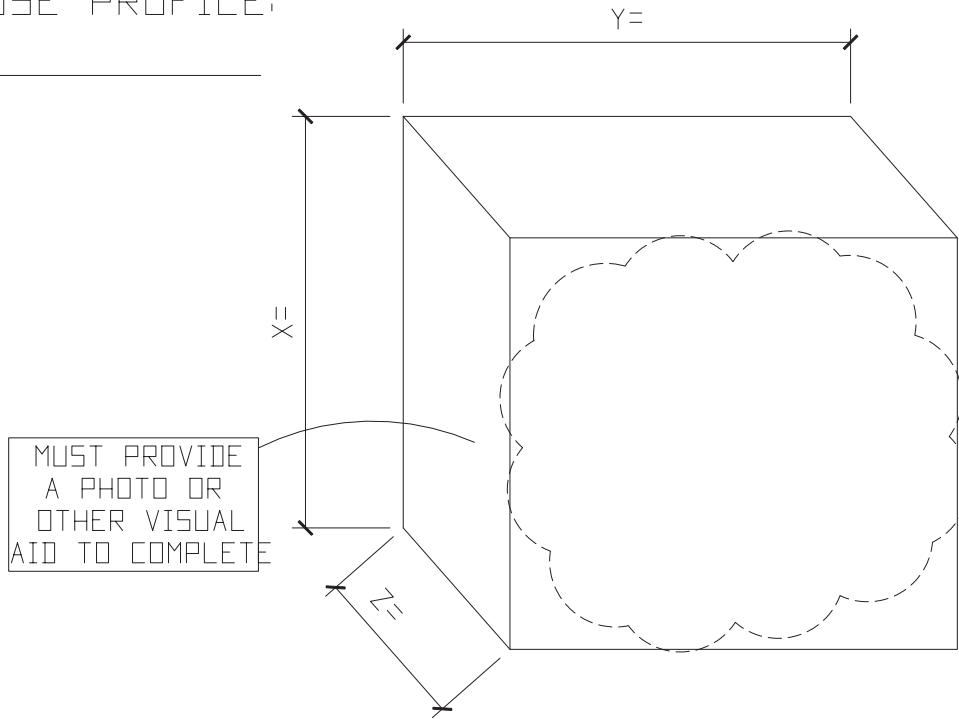


GENERIC SIGNAGE



EXAMPLE PHOTO

CHOOSE PROFILE:



MUST PROVIDE
A PHOTO OR
OTHER VISUAL
AID TO COMPLETE

QTY: _____

① ISOMETRIC VIEW
ORNAMENT

STANDARD COLOR CHOICE:
TAN \ WHITE \ BUFF

Please print clearly

Unit ID: 7689