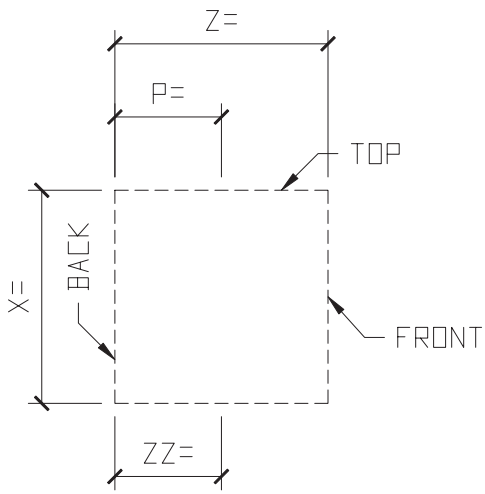


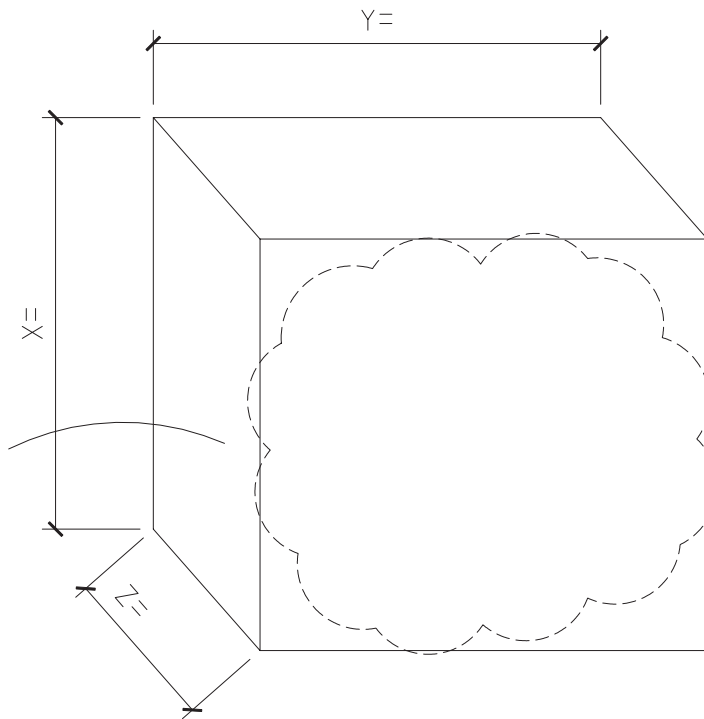
GENERIC STATUARY



EXAMPLE PHOTO OF STATUARY

CHOOSE PROFILE:

MUST PROVIDE A PHOTO OR OTHER VISUAL AID TO COMPLETE



QTY: _____

① ISOMETRIC VIEW
STATUARY

STANDARD COLOR CHOICE:
TAN \ WHITE \ BUFF

Please print clearly

Unit ID: _____