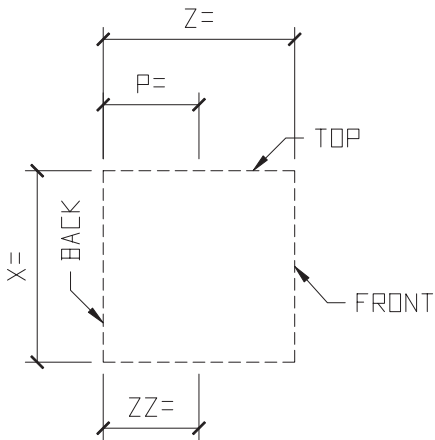
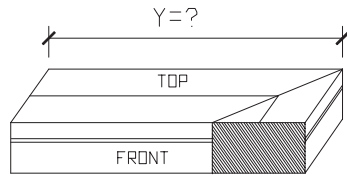


GENERIC WALL CAP



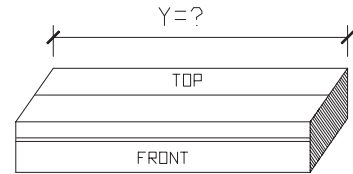
EXAMPLE PHOTO OF WALL CAP

CHOOSE PROFILE:
? _____



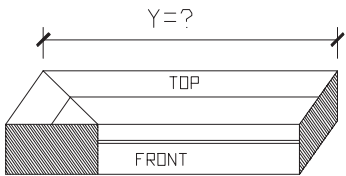
QTY: ? _____

② ISOMETRIC VIEW
COPE RIGHT



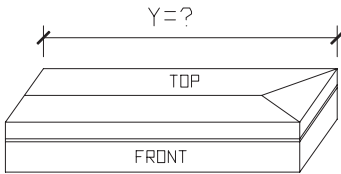
QTY: ? _____

① ISOMETRIC VIEW
STRAIGHT



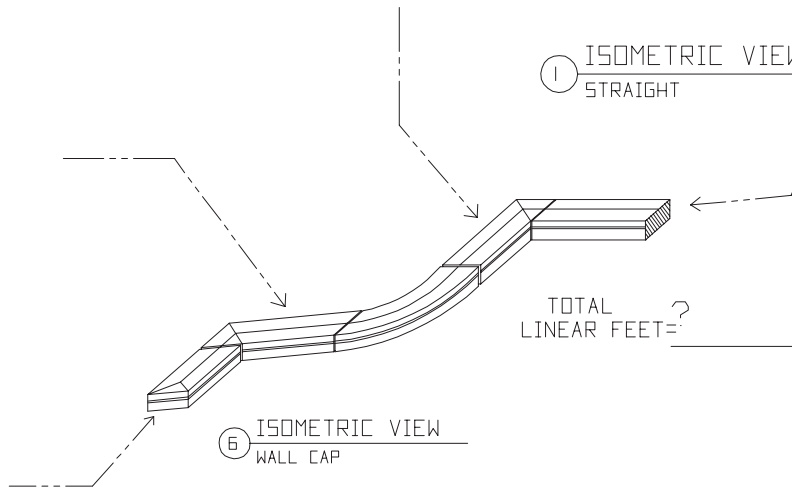
QTY: ? _____

③ ISOMETRIC VIEW
COPE LEFT



QTY: ? _____

④ ISOMETRIC VIEW
FINISHED END



TOTAL LINEAR FEET=? _____

⑤ ISOMETRIC VIEW
WALL CAP

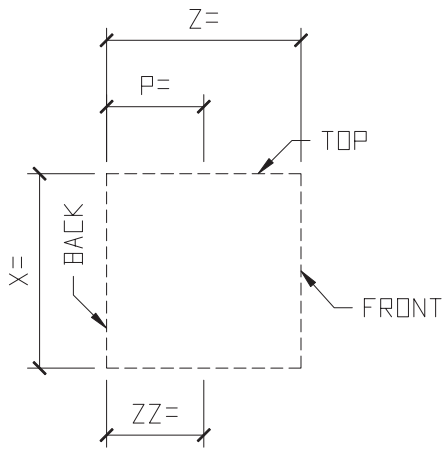
STANDARD COLOR CHOICES:
TAN \ WHITE \ BUFF

CUT TO FIT LENGTHS ARE
SUPPLIED IN 36" PIECES

Please print clearly

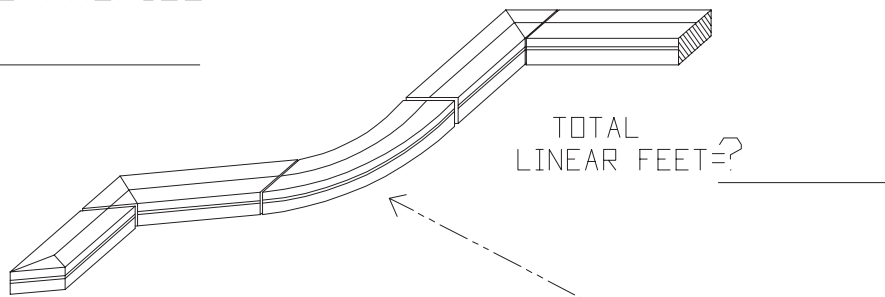
Unit ID: 17660

GENERIC WALL CAP

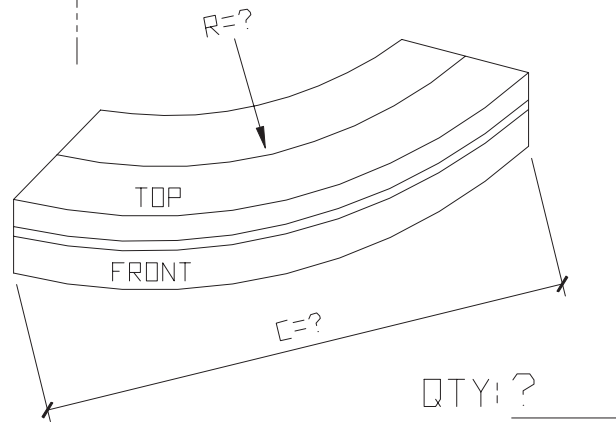


EXAMPLE PHOTO OF WALL CAP

CHOOSE PROFILE:
 ? _____



② ISOMETRIC VIEW
 WALL CAP _____



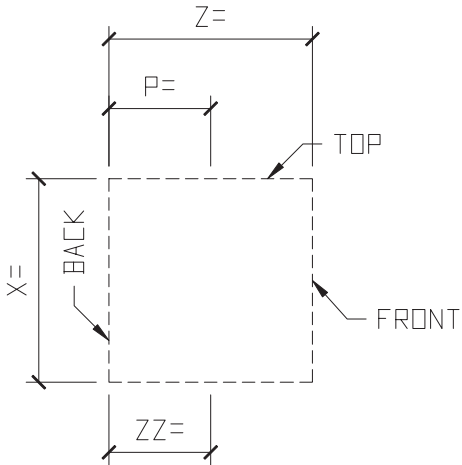
① ISOMETRIC VIEW
 RADIUS _____

STANDARD COLOR CHOICES:
 TAN \ WHITE \ BUFF

Please print clearly

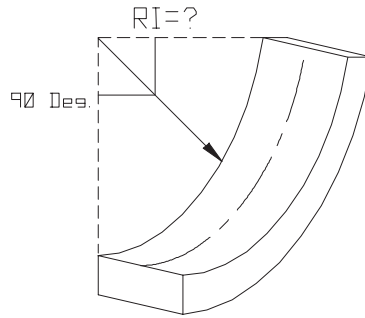
Unit ID17723

GENERIC WALL CAP

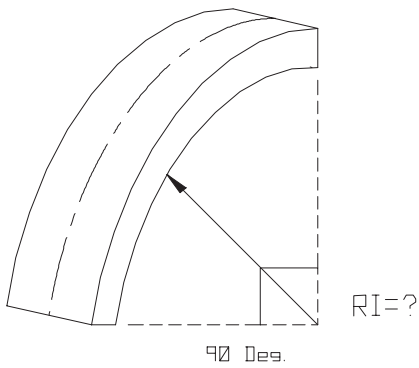


EXAMPLE PHOTO
OF WALL CAP

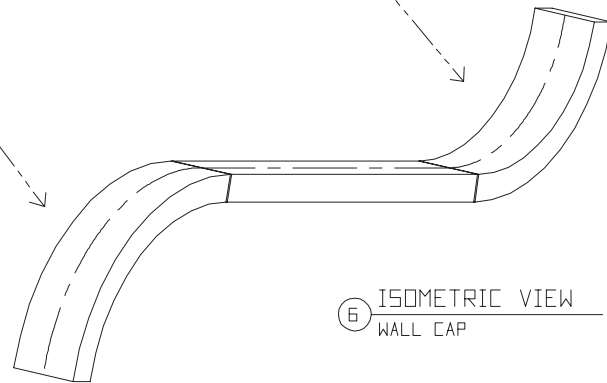
CHOOSE PROFILE:
? _____



QTY: ? _____
④ ISOMETRIC VIEW
UPEASING



QTY: ? _____
④ ISOMETRIC VIEW
OVEREASING



⑥ ISOMETRIC VIEW
WALL CAP

STANDARD COLOR CHOICES:
TAN \ WHITE \ BUFF

CUT TO FIT LENGTHS ARE
SUPPLIED IN 36" PIECES

Please print clear

Unit ID: 7728