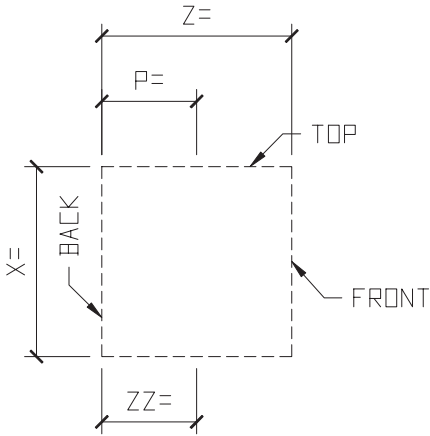


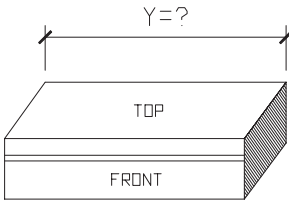


EXAMPLE PHOTO OF WATERTABLE

GENERIC WATERTABLE

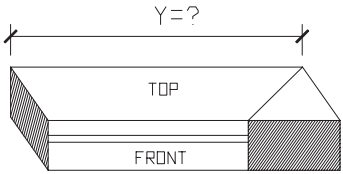


CHOOSE PROFILE:
? _____



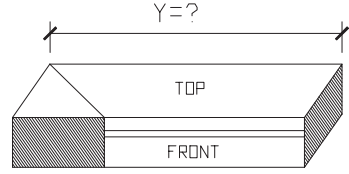
QTY: ? _____

① ISOMETRIC VIEW
STRAIGHT



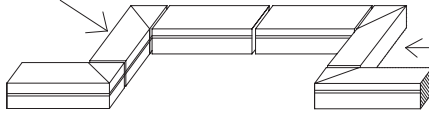
QTY: ? _____

② ISOMETRIC VIEW
COPE INSIDE RIGHT



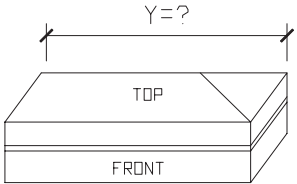
QTY: ? _____

③ ISOMETRIC VIEW
COPE INSIDE LEFT



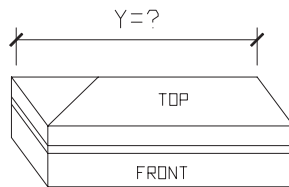
TOTAL
LINEAR FEET=? _____

⑥ ISOMETRIC VIEW
WATERTABLE



QTY: ? _____

④ ISOMETRIC VIEW
COPE OUTSIDE RIGHT



QTY: ? _____

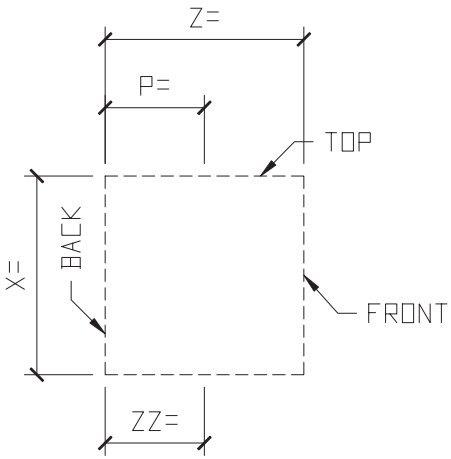
⑤ ISOMETRIC VIEW
COPE OUTSIDE LEFT

STANDARD COLOR CHOICE:
TAN \ WHITE \ BUFF

CUT TO FIT LENGTHS ARE
SUPPLIED IN 36" PIECES

Please print clearly

Unit ID: 7608



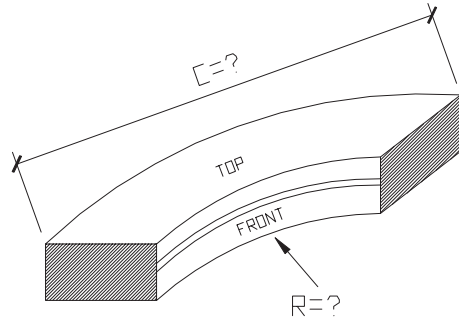
CHOOSE PROFILE:

? _____

GENERIC WATERTABLE

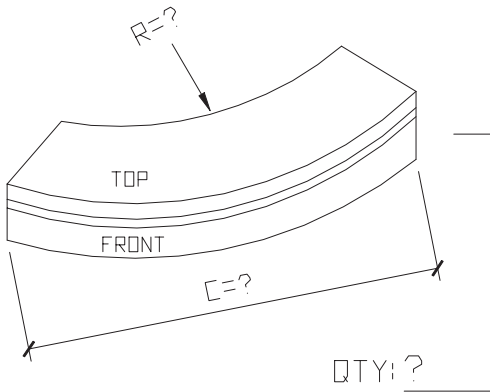


EXAMPLE PHOTO OF WATERTABLE



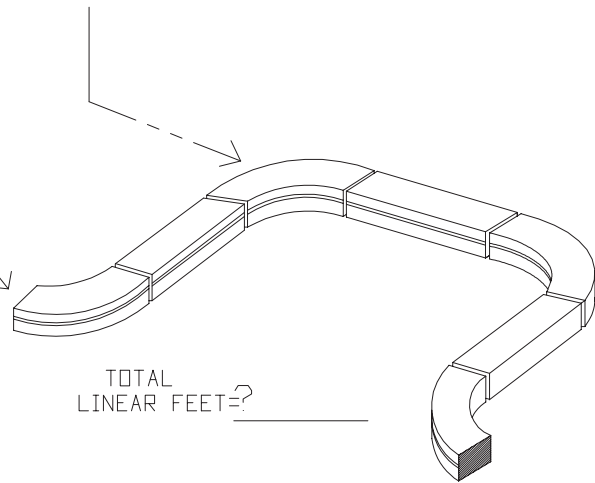
QTY: ? _____

① ISOMETRIC VIEW
COPE INSIDE RADIUS



QTY: ? _____

② ISOMETRIC VIEW
COPE OUTSIDE RADIUS



TOTAL LINEAR FEET=? _____

③ ISOMETRIC VIEW
WATERTABLE

STANDARD COLOR CHOICES:
TAN \ WHITE \ BUFF

Please print clear

Unit ID17724