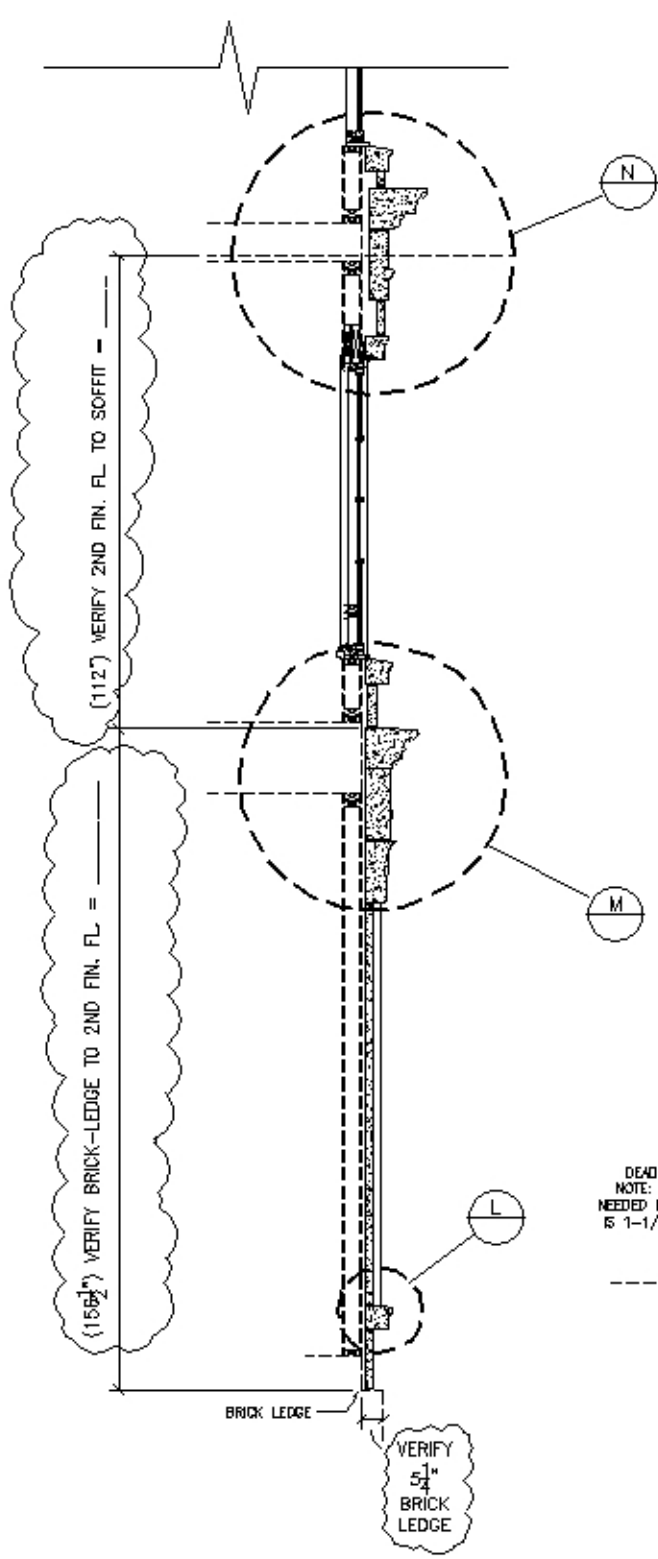
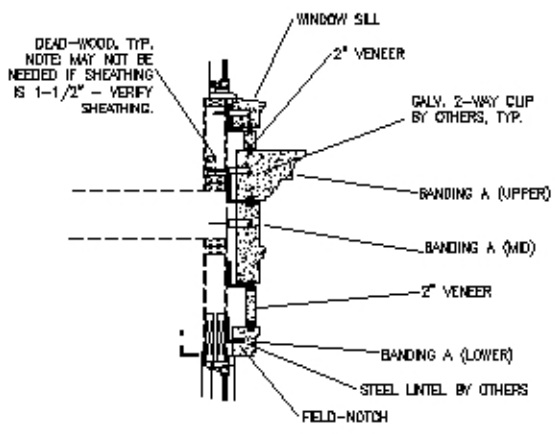


14 VERTICAL SECTION #14
SHEET A7 - VIEW 2

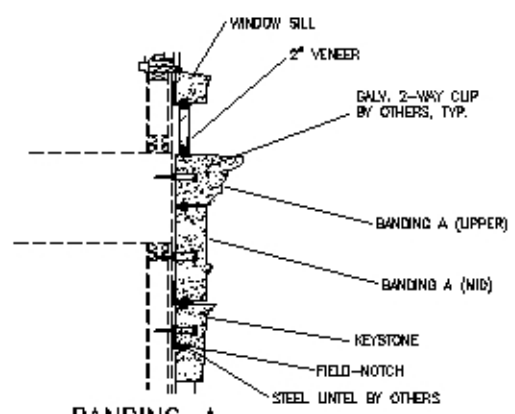
NOTE: PLEASE VERIFY ALL CLOUDED DIMENSIONS.



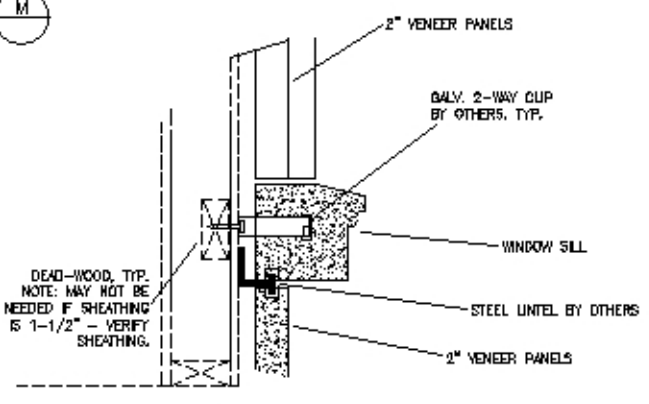
9 SECTION
SCALE: 1/4" = 1'-0"



N BANDING-A
SCALE: 3/8" = 1'-0"

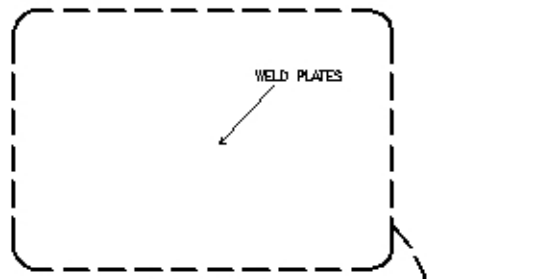


M BANDING-A
SCALE: 3/8" = 1'-0"

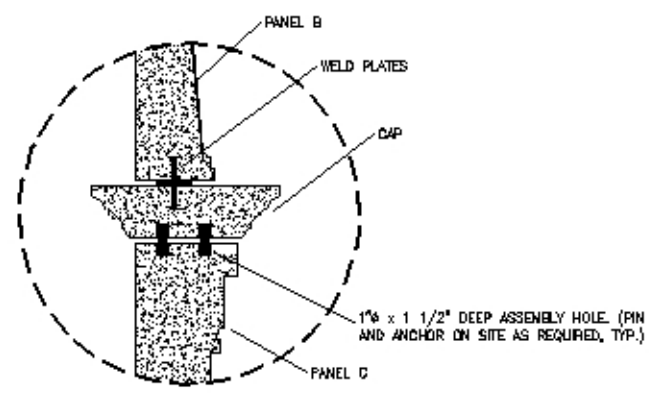


L SILL
SCALE: 1" = 1'-0"

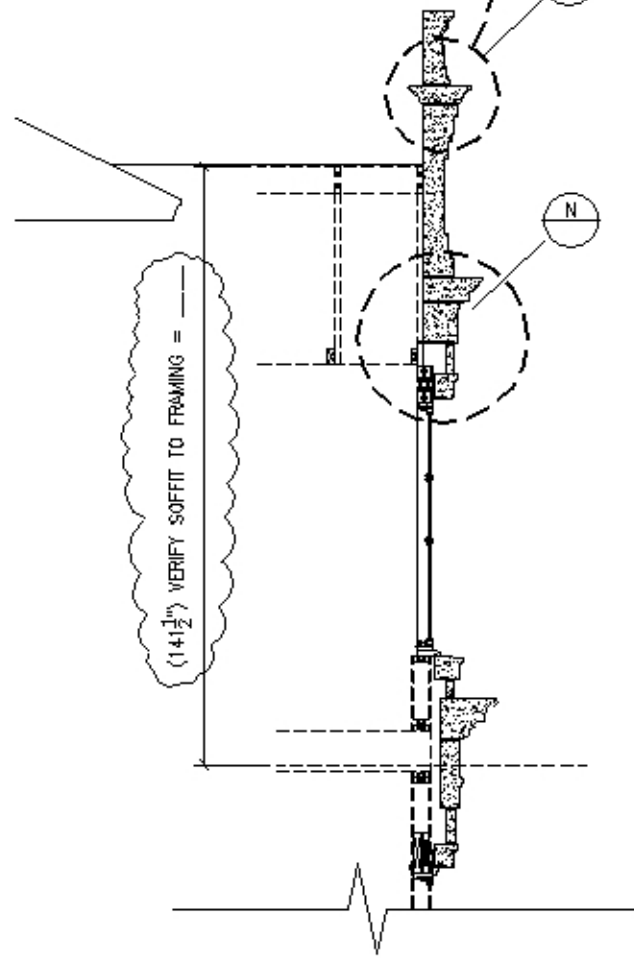
NOTE: PLEASE VERIFY ALL CLOUDED DIMENSIONS.



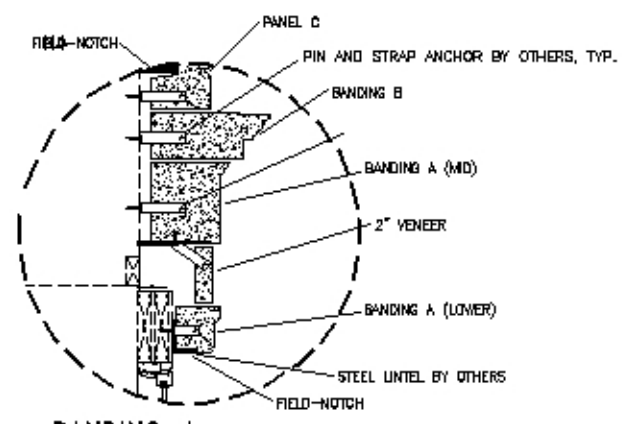
FRONT VIEW
DORMER PANEL B & C



P DORMER-ACCENTS
SCALE: 1" = 1'-0"

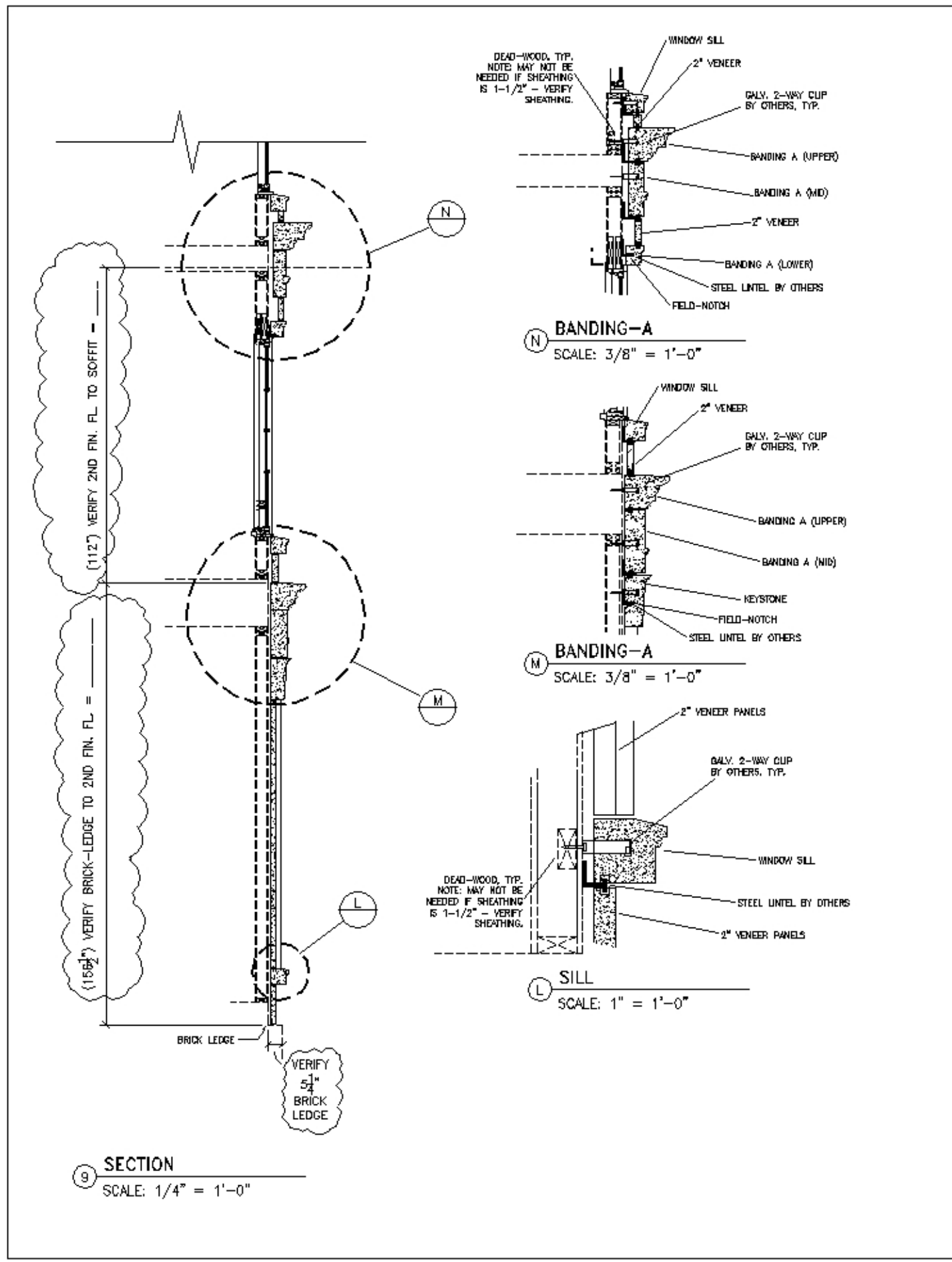


10 SECTION
SCALE: 1/4" = 1'-0"

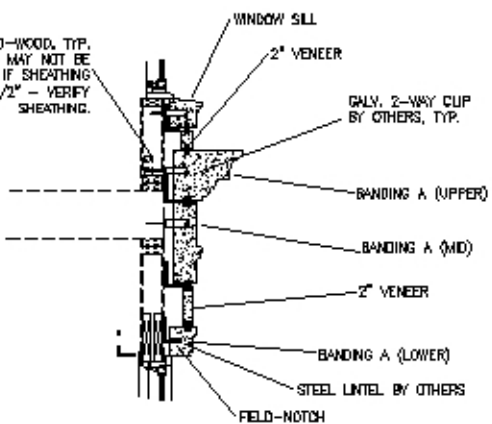


D BANDING-A
SCALE: 1" = 1'-0"

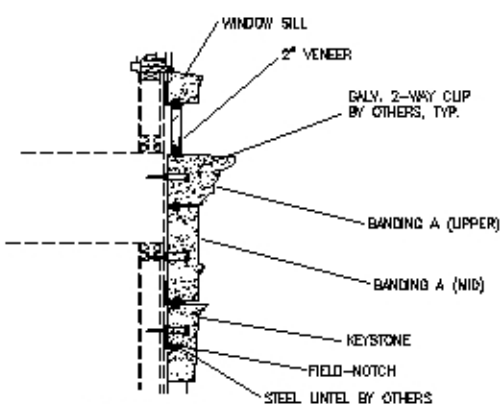
NOTE: PLEASE VERIFY ALL CLOUDED DIMENSIONS.



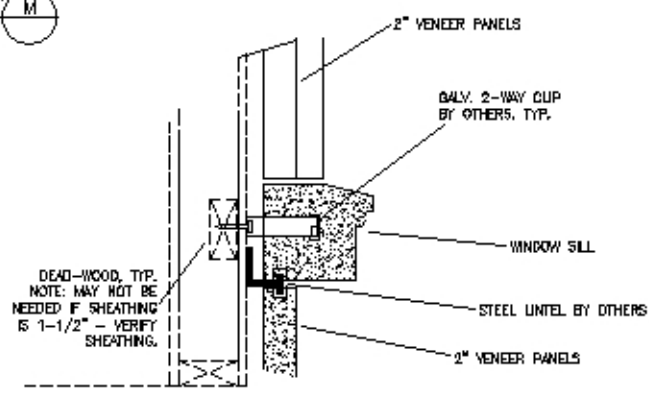
DEAD-WOOD, TYP.
NOTE: MAY NOT BE
NEEDED IF SHEATHING
IS 1-1/2" - VERIFY
SHEATHING.



(N) BANDING-A
SCALE: 3/8" = 1'-0"



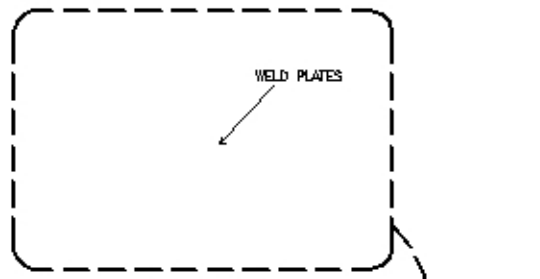
(M) BANDING-A
SCALE: 3/8" = 1'-0"



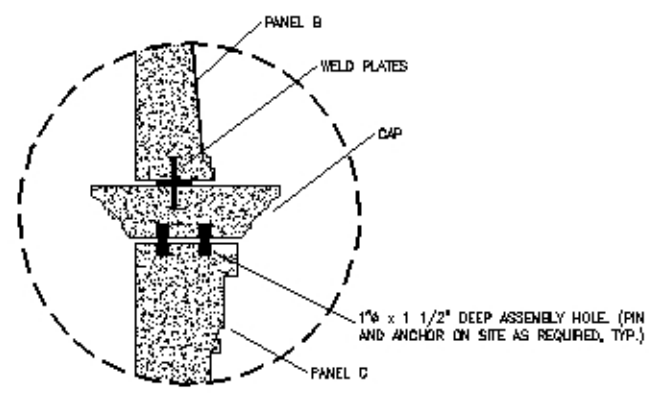
(L) SILL
SCALE: 1" = 1'-0"

(9) SECTION
SCALE: 1/4" = 1'-0"

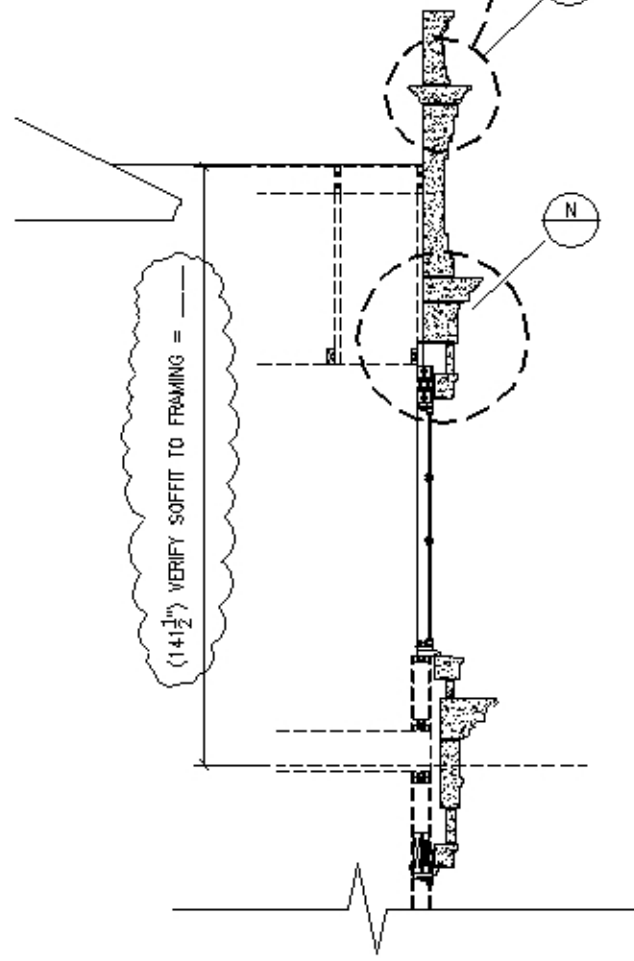
NOTE: PLEASE VERIFY ALL
CLOUDED DIMENSIONS.



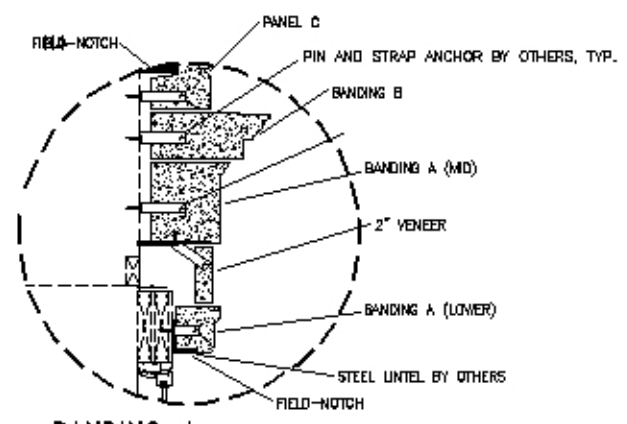
FRONT VIEW
DORMER PANEL B & C



P DORMER-ACCENTS
SCALE: 1" = 1'-0"



10 SECTION
SCALE: 1/4" = 1'-0"



D BANDING-A
SCALE: 1" = 1'-0"

NOTE: PLEASE VERIFY ALL CLOUDED DIMENSIONS.