

PROJECT PORTFOLIO

Table of Contents

Grouped by Project Size



Homes under 6,000 Square Feet

This package contains the highlighted projects other projects available upon request.

- Hidden Lakes Residence
- Johnston Residence
- MacKay Residence
- Mariotti Residence
- Walsh Residence



Homes from 6,000 to 10,000 Square Feet

- Angelo Residence
- Avignon Residence
- Babbio Residence
- Coughlin Residence
- Dowling Residence
- Dundon Residence
- Hodges Residence
- Mathis Residence
- Nees Residence
- Underwood Residence
- Wolfswinkel Residence
- Woods Residence



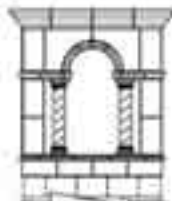
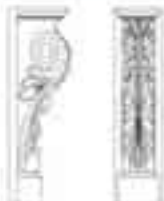
Homes from 10,000 to 16,000 Square Feet

- Bergstol Residence
- Greenshields Residence
- Hall Residence
- Huffines Residence
- Milhous Residence
- Palatial Properties
- Sawyer Rd Residence
- Smith Residence
- Taneja Residence



Homes over 16,000 Square Feet

- Cresap Residence
- Goldenberg Residence
- Henk Residence
- Kerwin Residence



HIDDEN LAKES

Project Portfolio



Project ID 5853

Helping you create Architectural Style for your home

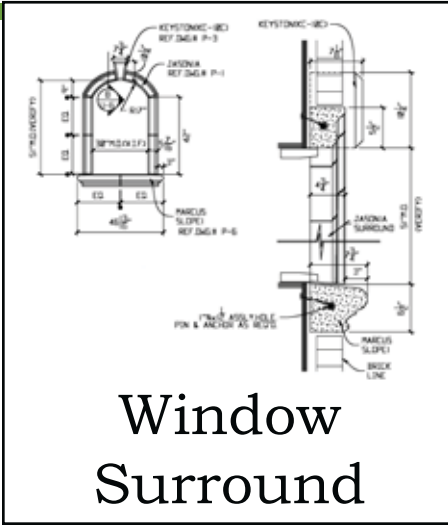
STONE LEGENDS



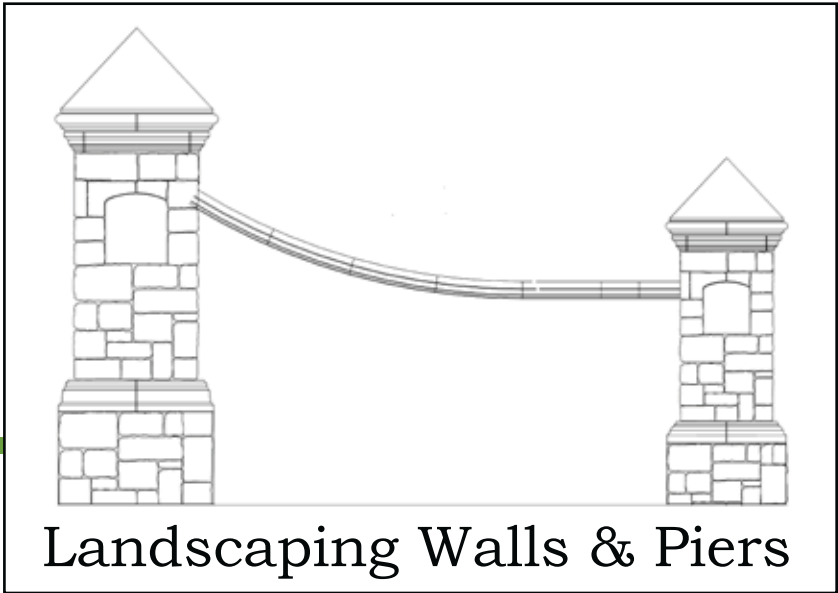
HIDDEN LAKES PROJECT PORTFOLIO



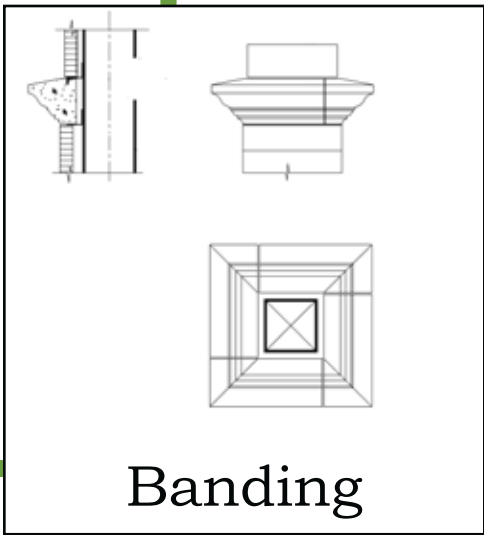
HIDDEN LAKES PROJECT PORTFOLIO



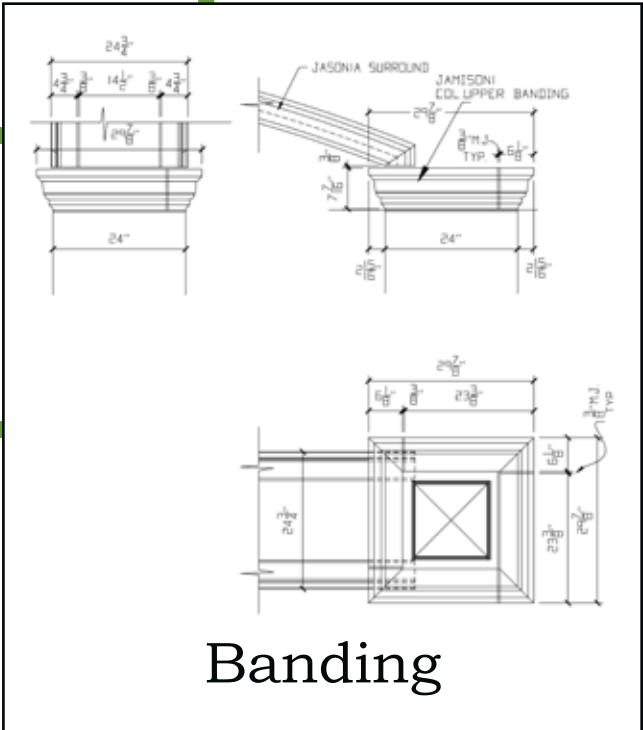
Window Surround



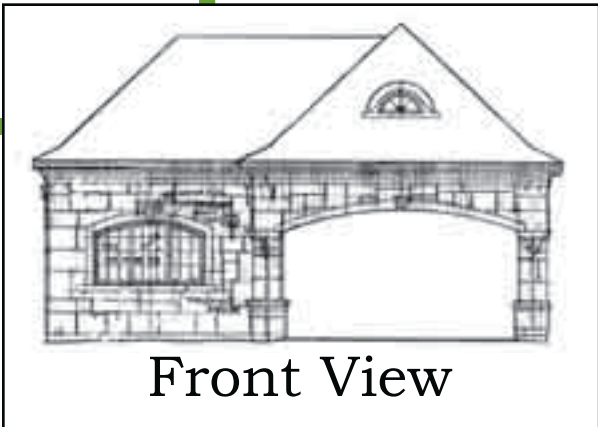
Landscaping Walls & Piers



Banding



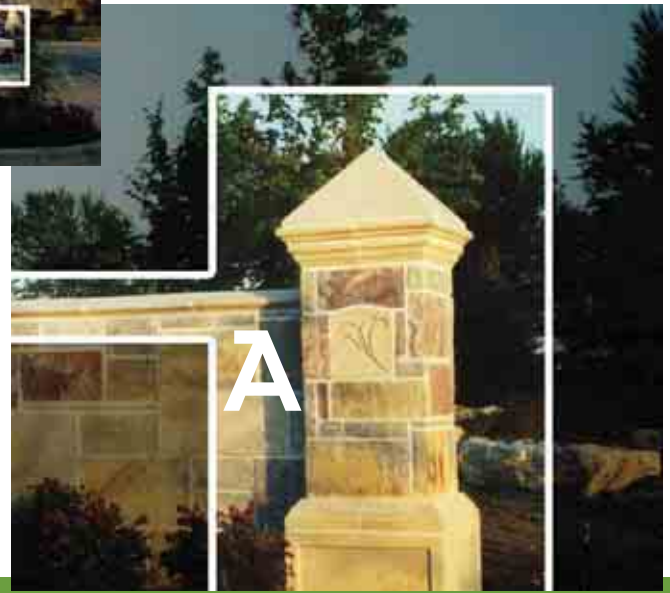
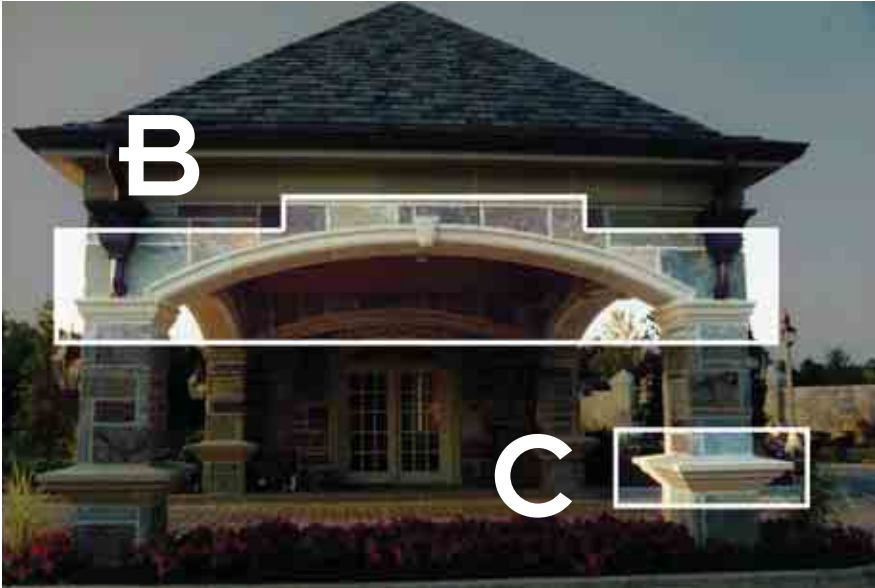
Banding



Front View

HIDDEN LAKES

Project Portfolio Contents



A

Landscaping
Walls And Piers



B

Banding



C

Banding



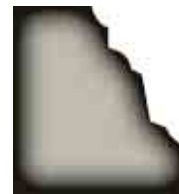
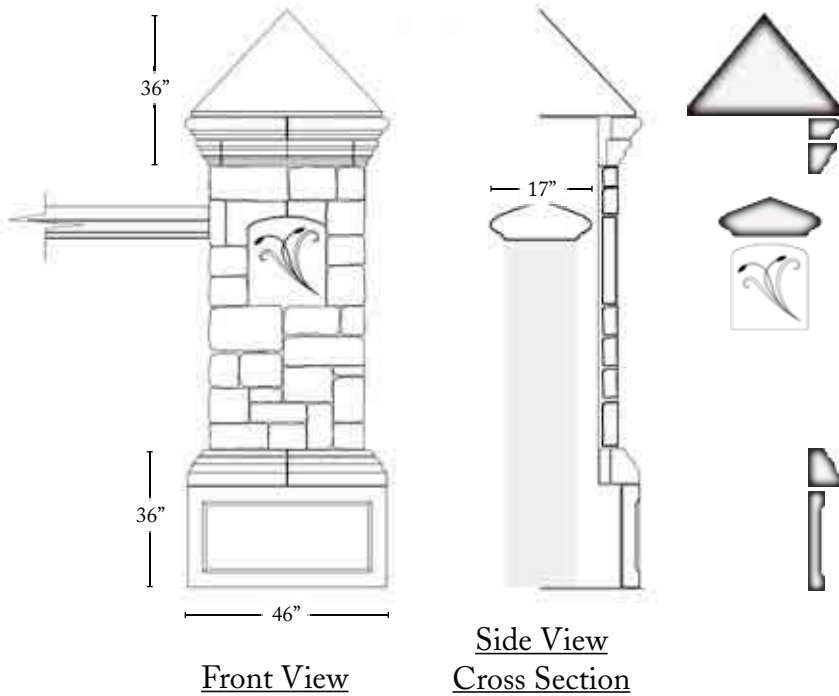
Breaking Down The Project

Showing how the pieces fit together to make the style

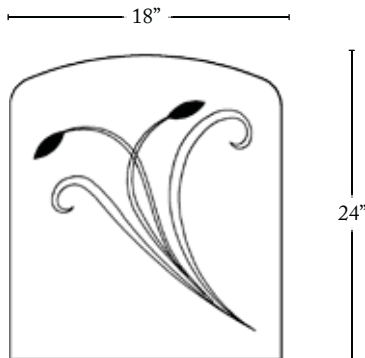
HIDDEN LAKES

Proj ID 5853

A



Landscaping Wall and Piers



* Custom Decorative Panel

Breaking Down The Project

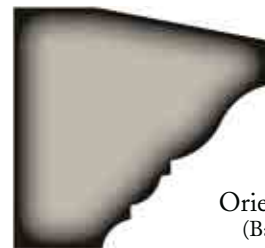
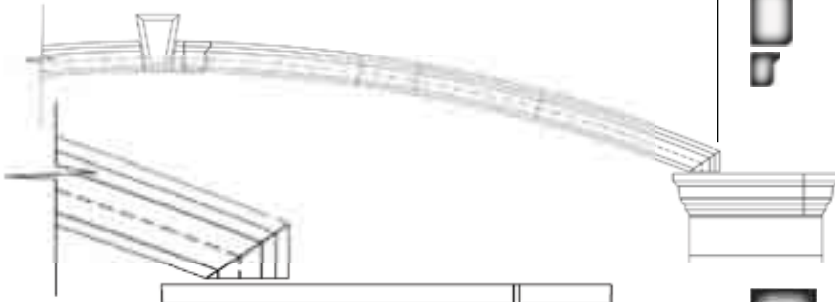
Showing how the pieces fit together to make the style

HIDDEN LAKES

Proj ID 5853

B

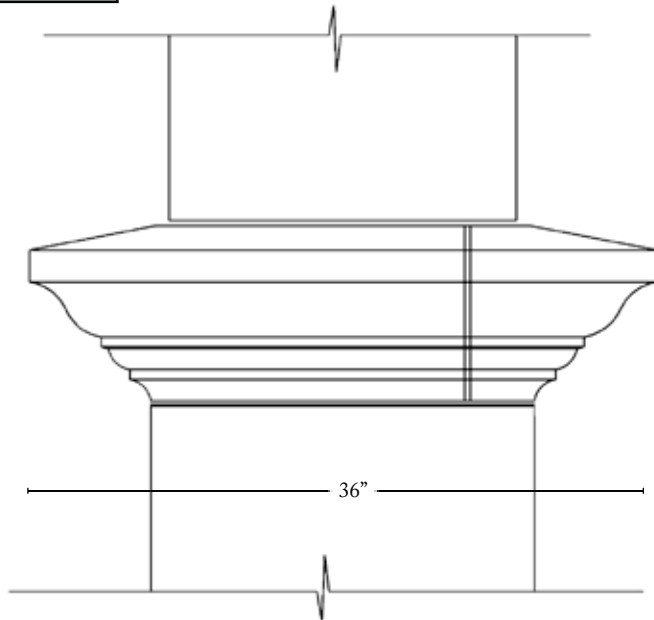
98"



30"

24"

C



36"

**Eyebrow Surround
With Keystone and Banding**

JOHNSTON RESIDENCE

Project Portfolio



Helping you create Architectural Style for your home

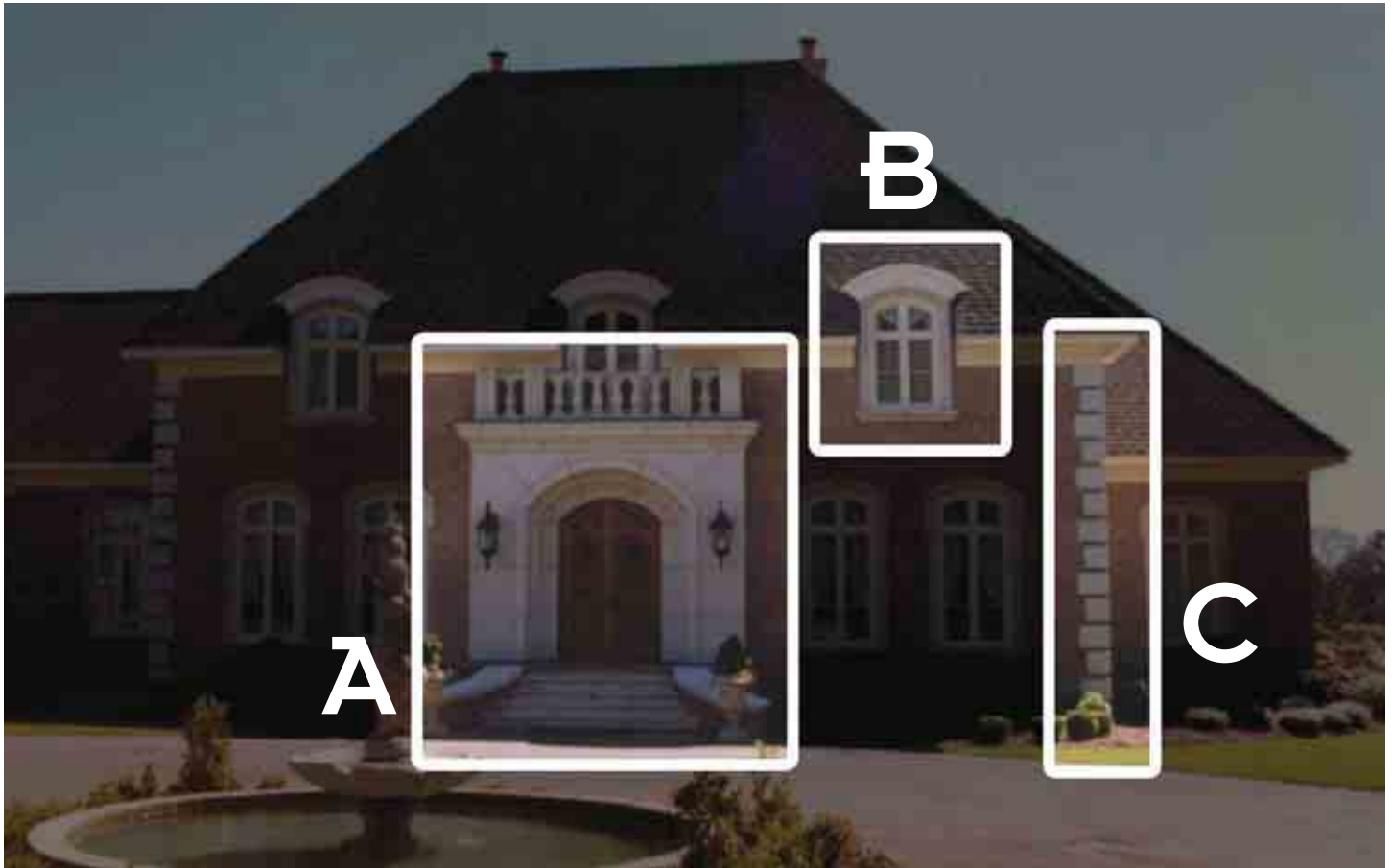


JOHNSTON PROJECT PORTFOLIO



JOHNSTON RESIDENCE

Project Portfolio Contents



A

Entry



B

Window
Surround



C

Quoins

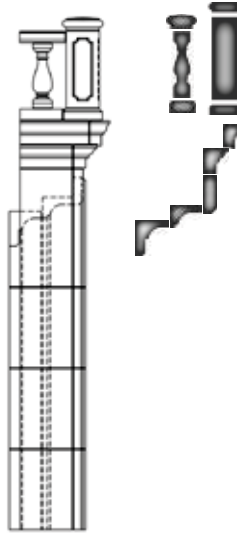
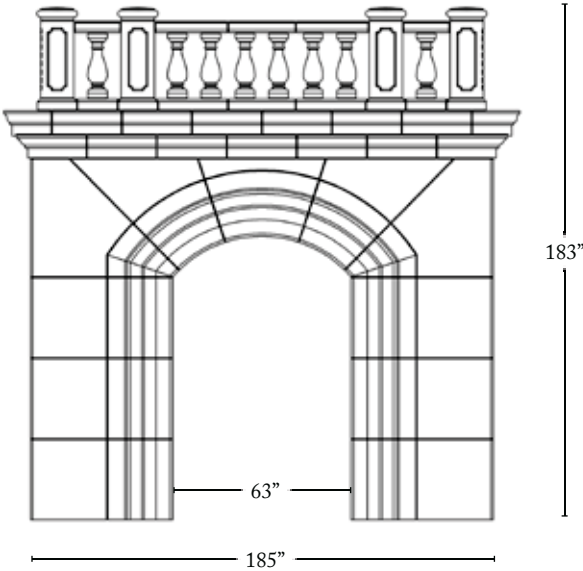


Breaking Down The Project

Showing how the pieces fit together to make the style

JOHNSTON RESIDENCE

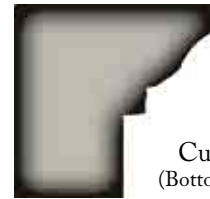
A



Cross Section



Custom Profile
(Top Row Banding)



Custom Profile
(Bottom Row Banding)



Chamber Profile
(Entry Outer Eyebrow)

**Alcove Entry
with Balustrade**



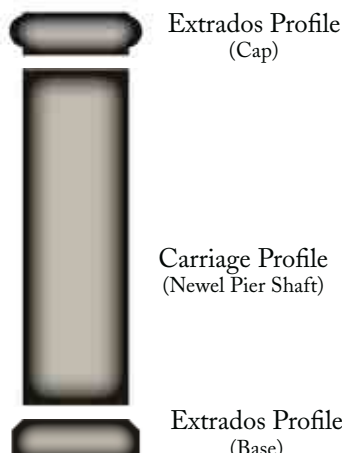
Custom Profile
(Entry Middle Eyebrow)



Custom Profile
(Entry Inner Eyebrow)



Balustrade



Newel Pier

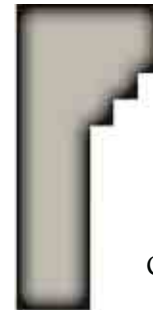
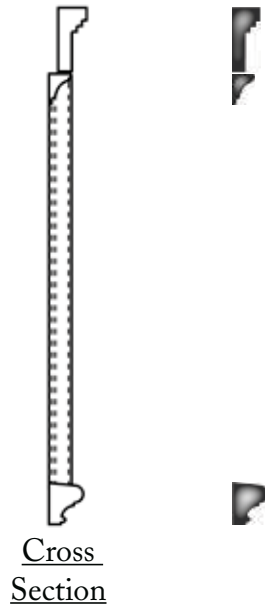
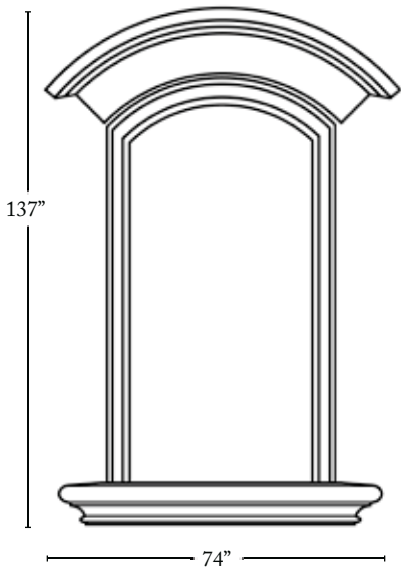
Otterwood Balustrade System

Breaking Down The Project

Showing how the pieces fit together to make the style

JOHNSTON RESIDENCE

B



Custom Profile
(Crown)



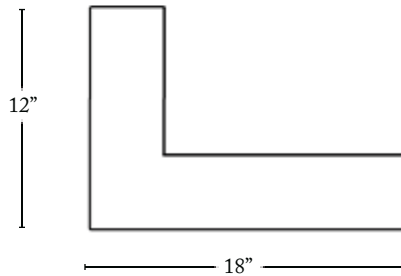
Custom Profile
(Window Surround)



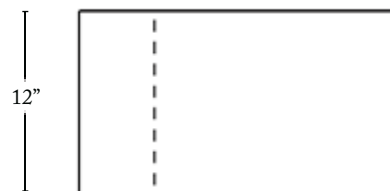
Marcus Slope Profile
(Window Sill)

Window Surround

C



Top View



Side View



Flatface Profile
(Quoins)

Quoins

MACKEY RESIDENCE

Project Portfolio



Project ID 3874

Helping you create Architectural Style For Your Home

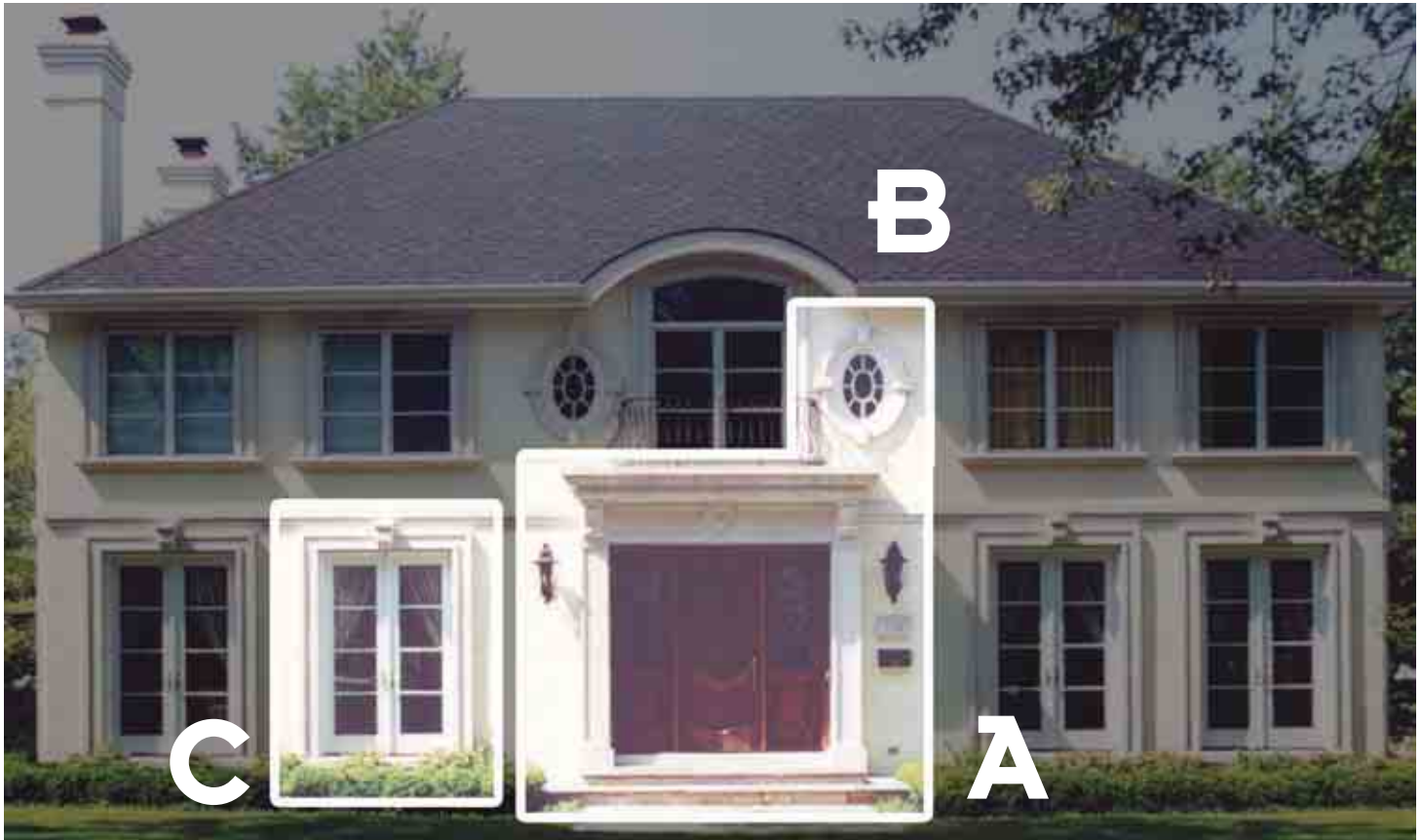


MACKEY PROJECT PORTFOLIO



MACKEY RESIDENCE

Project Portfolio Contents



A

Balustrade
& Newel Piers



B

Circular
Window Surround



C

Window
Surround



Breaking Down The Project

Showing how the pieces fit together to make the style

MACKAY RESIDENCE

Proj ID 3874

A

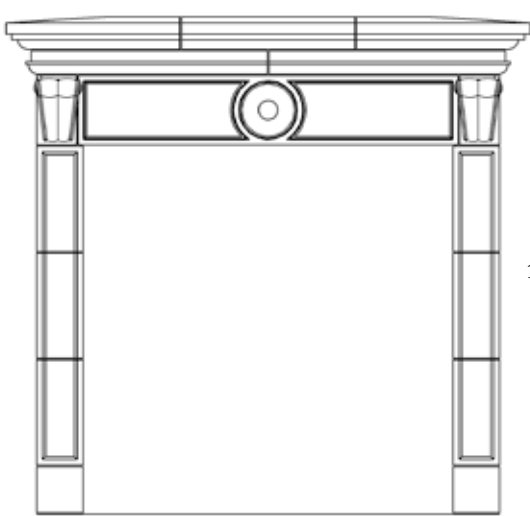


Custom Profile
(Pediment Crown)

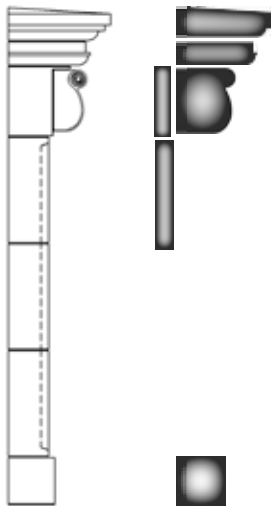


Custom Profile
(Pediment Lower banding)

136"



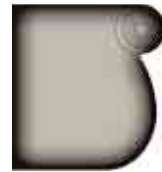
129"



Cross Section



Recess Profile
(Surround Top)



Ramshorn Profile
(Keystone)

Entry



Recess Profile
(Surround Legs)



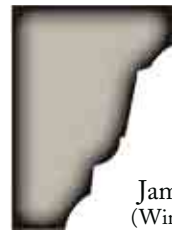
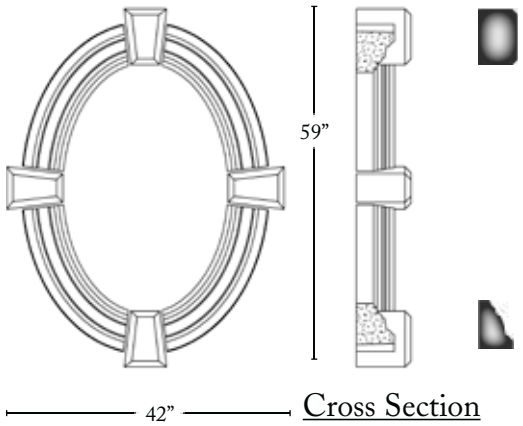
Flatface Profile
(Plinths)

Breaking Down The Project

Showing how the pieces fit together to make the style

MACKAY RESIDENCE
Proj ID 3874

B



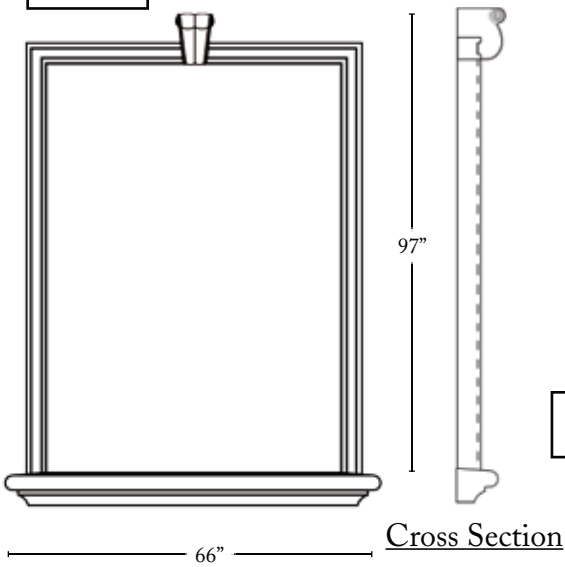
Jamison Profile
(Window Surround)



Chamfer Profile
(Keystone)

**Oval
Window Surround**

C



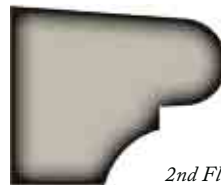
*Bolson Sill - 2nd Floor
Window Surrounds Only*



Ramshorn Profile
(Keystone)
1st Floor Door Surrounds Only



Recess Profile
(Surround)



Bolson Profile
(Keystone)
2nd Floor Window Surrounds Only

Surrounds

MARIOTTI RESIDENCE

Project Portfolio



Project ID 3457

Helping you create Architectural Style for your home



MARIOTTI PROJECT PORTFOLIO



MARIOTTI RESIDENCE

Project Portfolio Contents



A



B



C

A

Patio
with Columns



B

Front Entry



C

Window
Surround

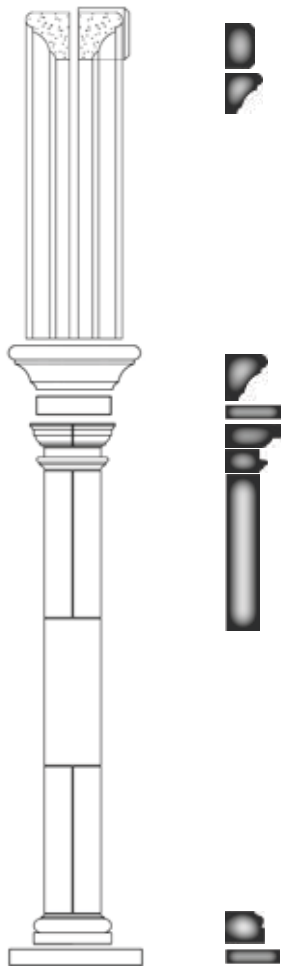
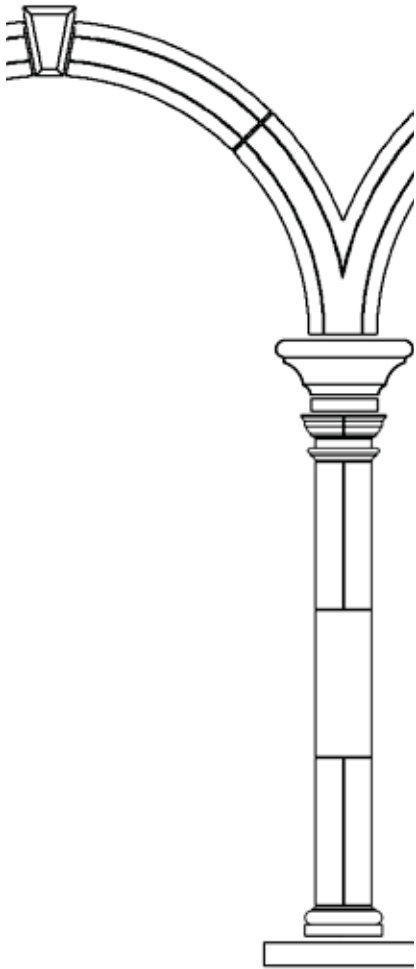
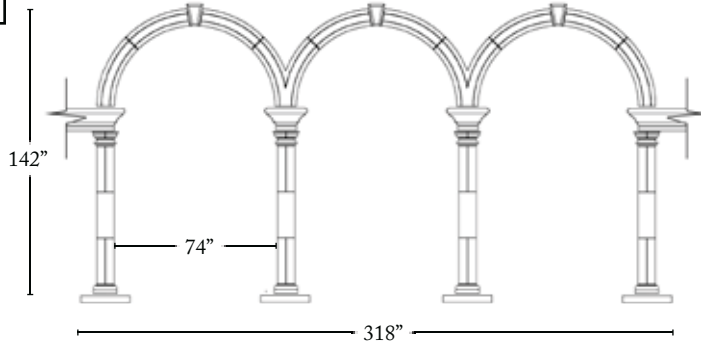


Breaking Down The Project

Showing how the pieces fit together to make the style

MARIOTTI RESIDENCE
Proj ID 3457

A



Cross
Section



Chamfer Profile
(Keystone)



Marshall Profile
(Circle Top)



Marshall Profile
(Banding)



Flatface Profile
(Spacer)



Tuscan Cap
(Column)



Tuscan Neck
(Column)



Tuscan Shaft
(Column)



Tuscan Base
(Column)



Flatface Profile
(Plinth)

**Triple Surround
with Columns**

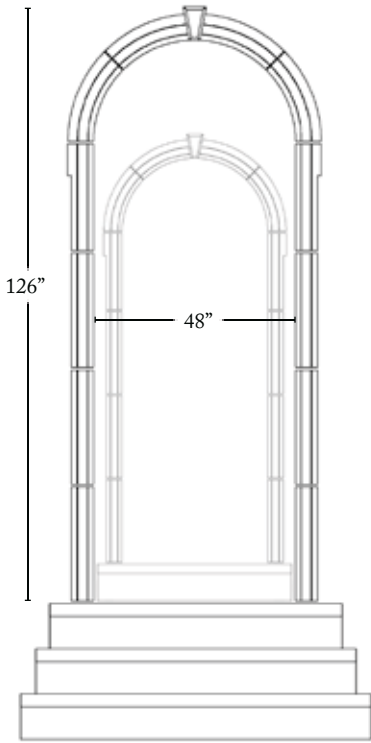
Breaking Down The Project

Showing how the pieces fit together to make the style

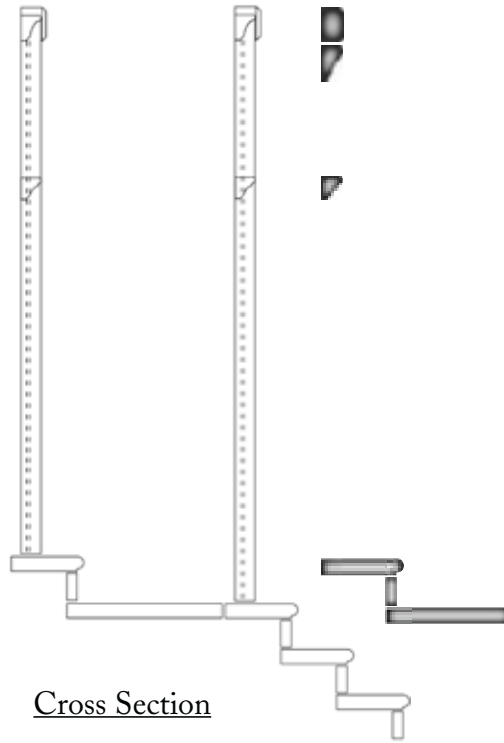
MARIOTTI RESIDENCE

Proj ID 3457

B



Front Entry



Chamfer Profile
(Keystone)



Marshall Profile
(Surround Top and Ears)



Marshall Profile
(Surround Legs)



Bullnose Profile
(Step Treads)

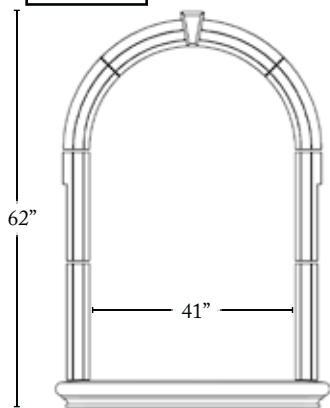


Flatface Profile
(Riser)

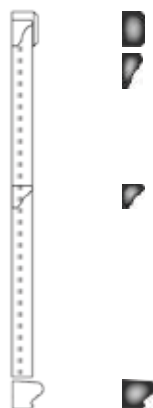


Flatface Profile
(Paver)

C



Window Surround



Chamfer Profile
(Keystone)



Marshall Profile
(Surround Top and Ears)



Marshall Profile
(Surround Legs)



Marcus Slope Profile
(Window Sill)

WALSH RESIDENCE

Project Portfolio



Project ID 8500

Helping you create **Architectural Style** for your home

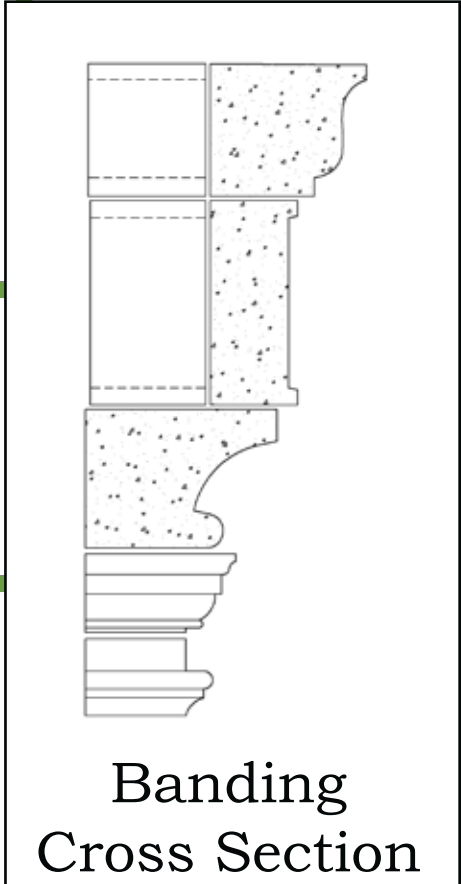
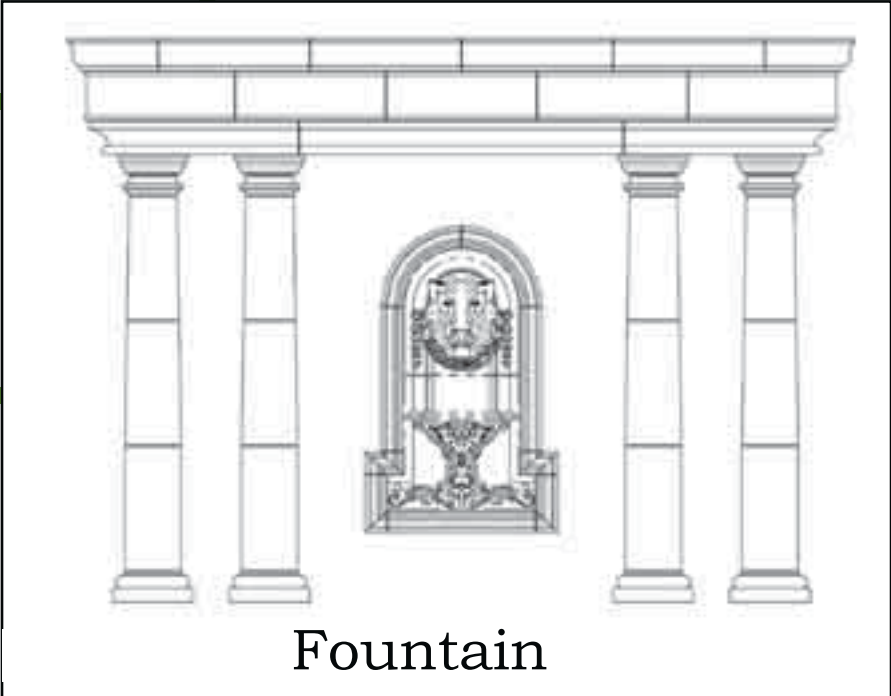
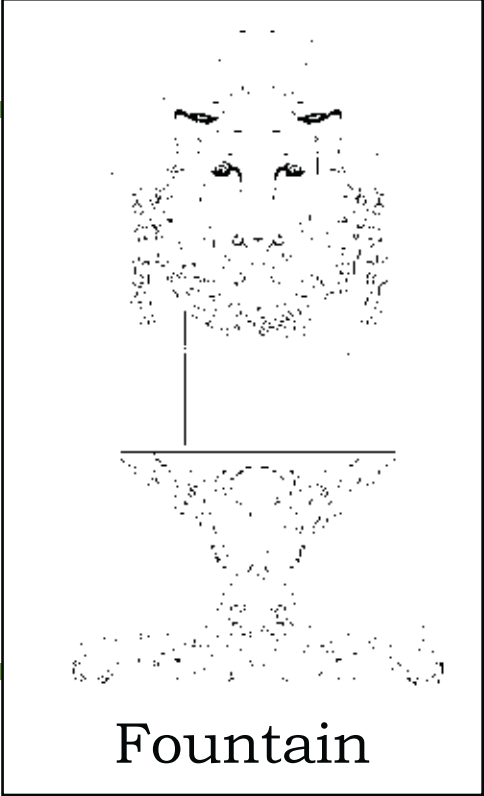
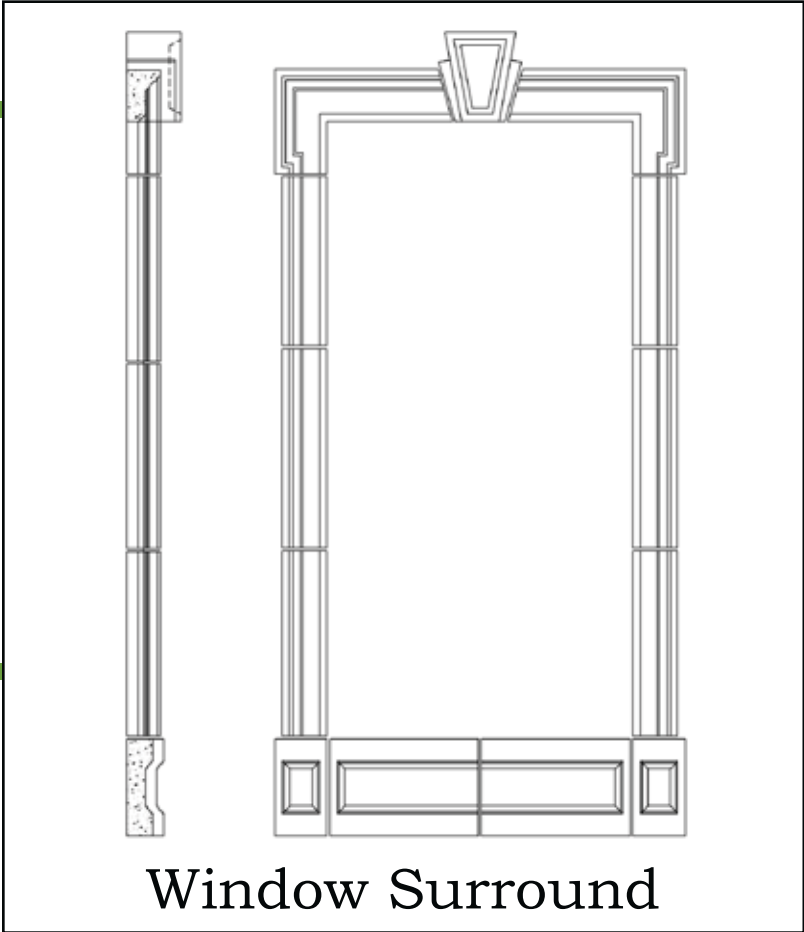
STONE LEGENDS



WALSH PROJECT PORTFOLIO



WALSH PROJECT PORTFOLIO



WALSH RESIDENCE

Project Portfolio Contents



A



C



B

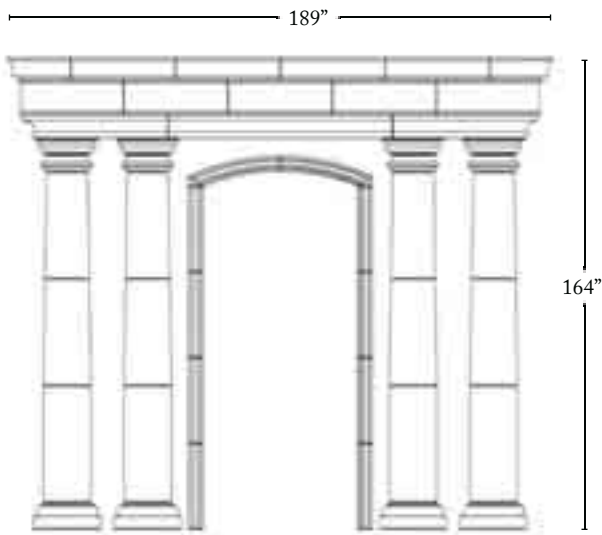
<p>A Entry</p> 	<p>B Entry</p> 	<p>C Balustrade & Newel Pier</p> 
---	---	---

Breaking Down The Project

Showing how the pieces fit together to make the style

WALSH RESIDENCE
Proj ID 8500

A



Cross
Section



Ogee Profile
(Top Row Banding)



Recess Profile
(Middle Row Banding)



Custom Profile
(Bottom Row Banding)



Tuscan Cap
(Column)



Tuscan Neck
(Column)



Tuscan Shaft
(Tapered Column)



Tuscan Cap
(Column)

Entry With Columns



Inner Door Surround



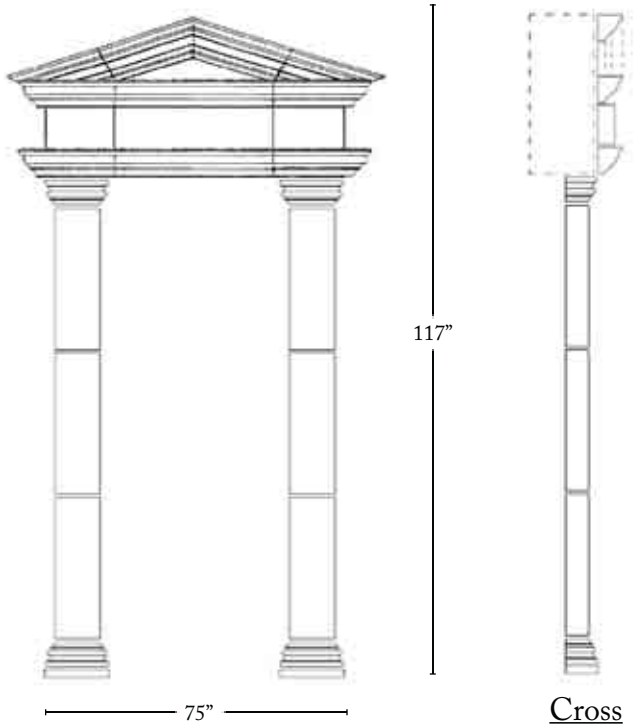
Jamison Profile
(Inner Door Surround)

Breaking Down The Project

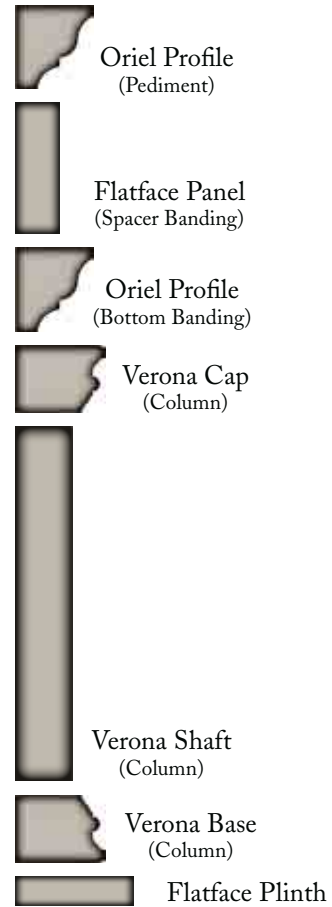
Showing how the pieces fit together to make the style

WALSH RESIDENCE
Proj ID 8500

B

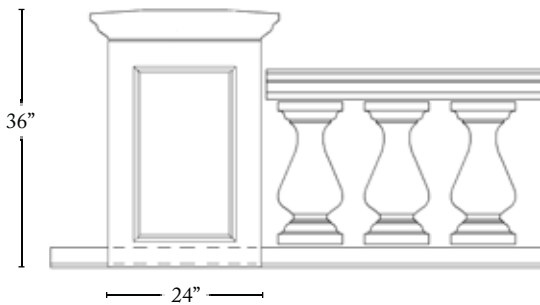


Cross Section

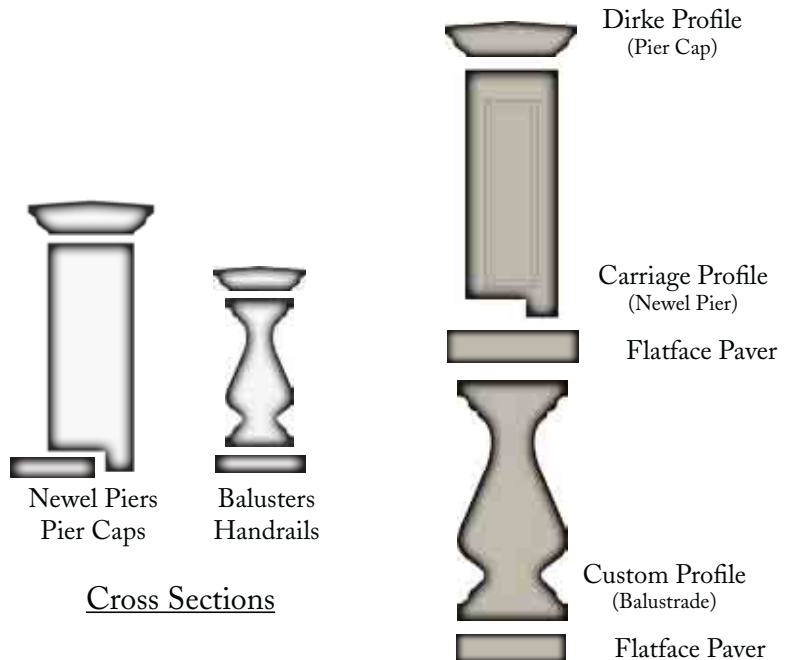


Entry

C



Cross Sections



Balustrade System