

## Design Options Pilaster

Typical Applications for Pilasters



Pilasters of various shapes and sizes can be combined to create an impressive look.



These Pilasters were placed against a backing panel for a more solid look



Pilasters and a lintel were used to transform this ordinary door into a great Entry



Pilasters were used as a window surround on this house.

## Design Options Pilaster

Typical Applications for Pilasters



A beautiful example of how an entry can be constructed using a Lintel and a pair of Ariel Flute Pilasters



This entry was created with a Lintel, some panels and simple but elegant Pilasters



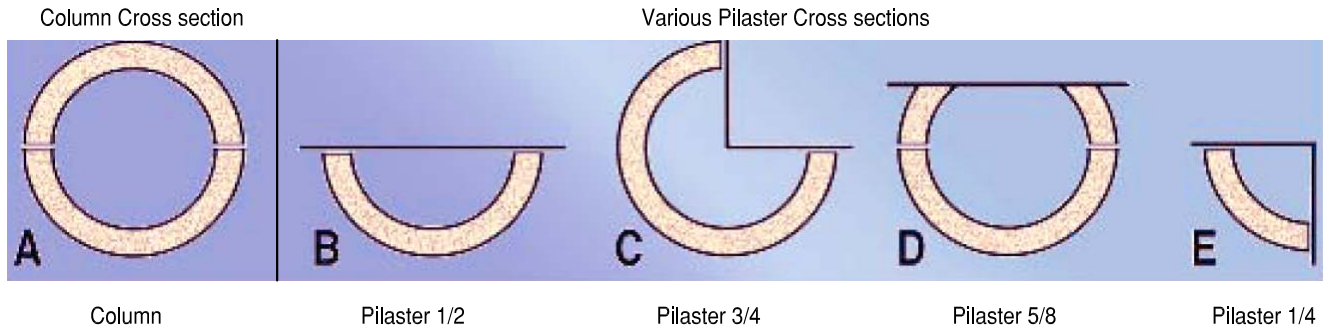
Note the Recess Pilasters on Plinth Blocks and Brackets below the Lintel



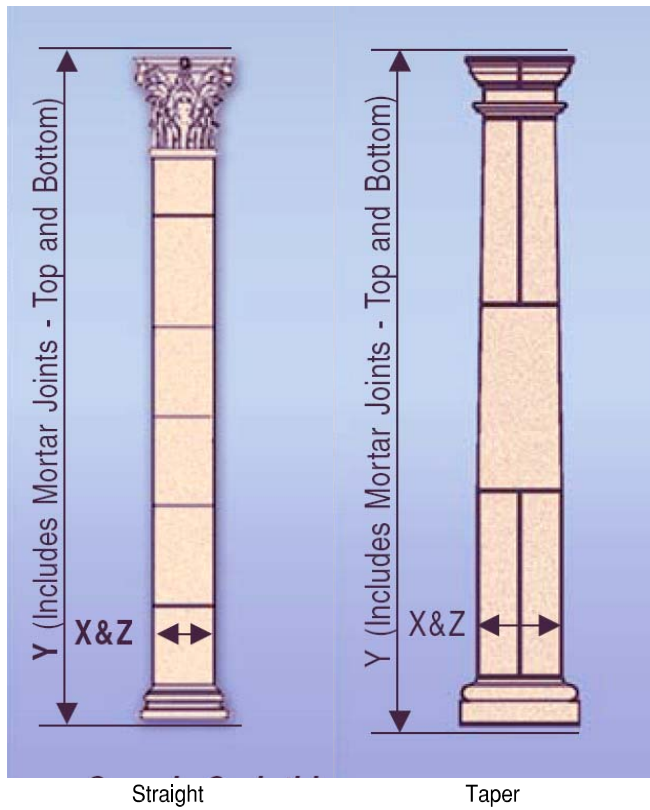
Note the Pilasters Between the Windows and on the Entry of the House

## Design Options Pilasters

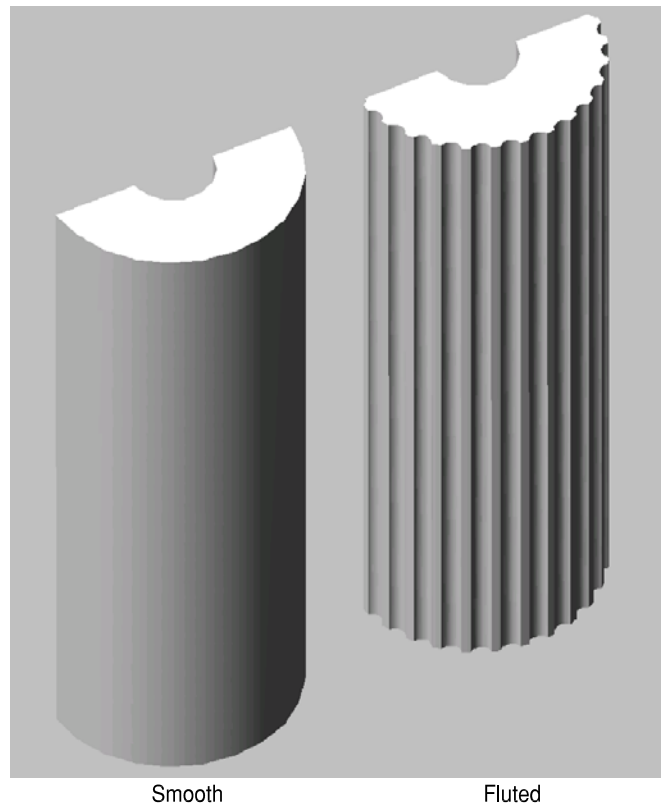
Pilasters comes in different shapes and sizes



Pilasters comes in two basic shapes

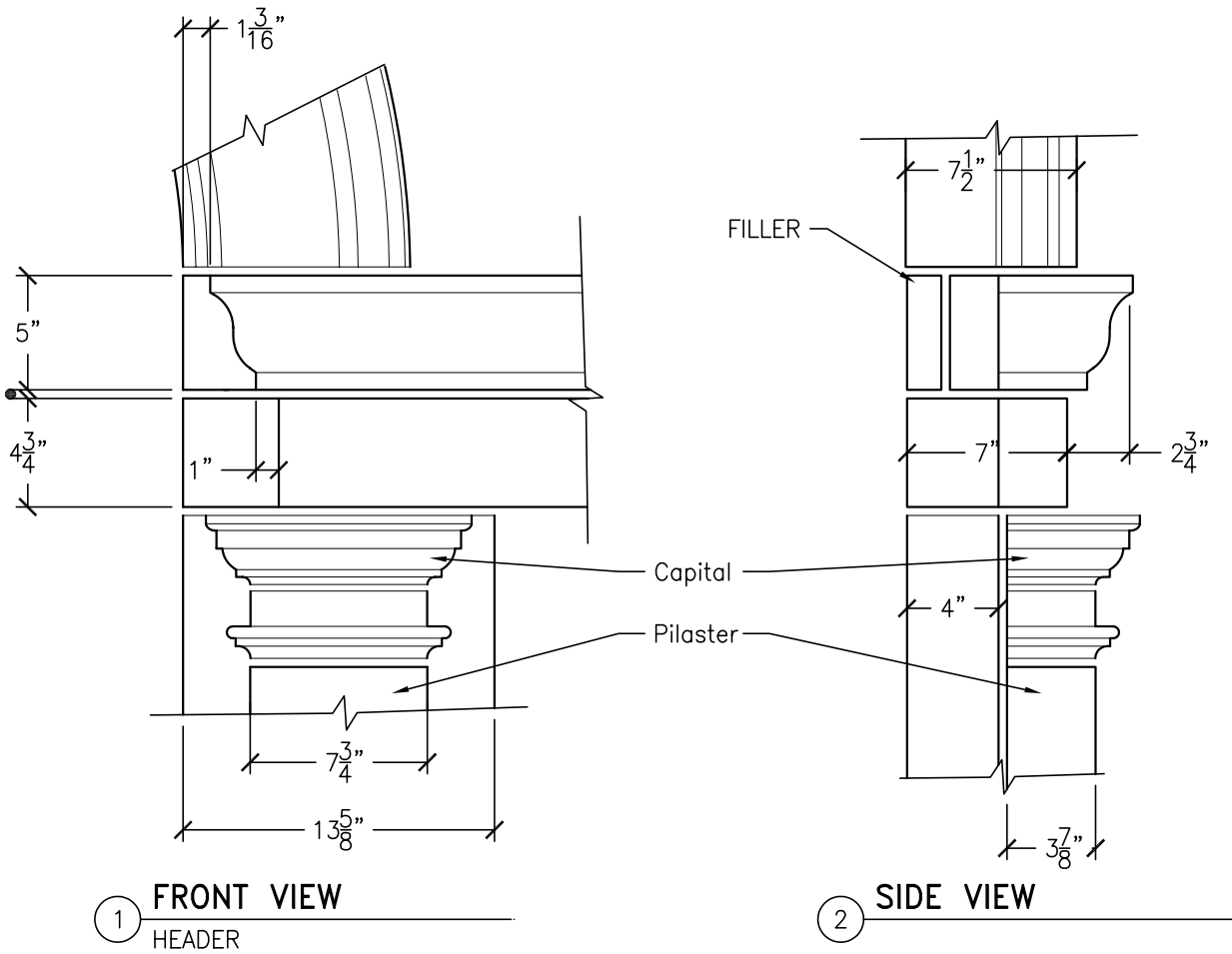


Pilasters comes in two basic Finishes



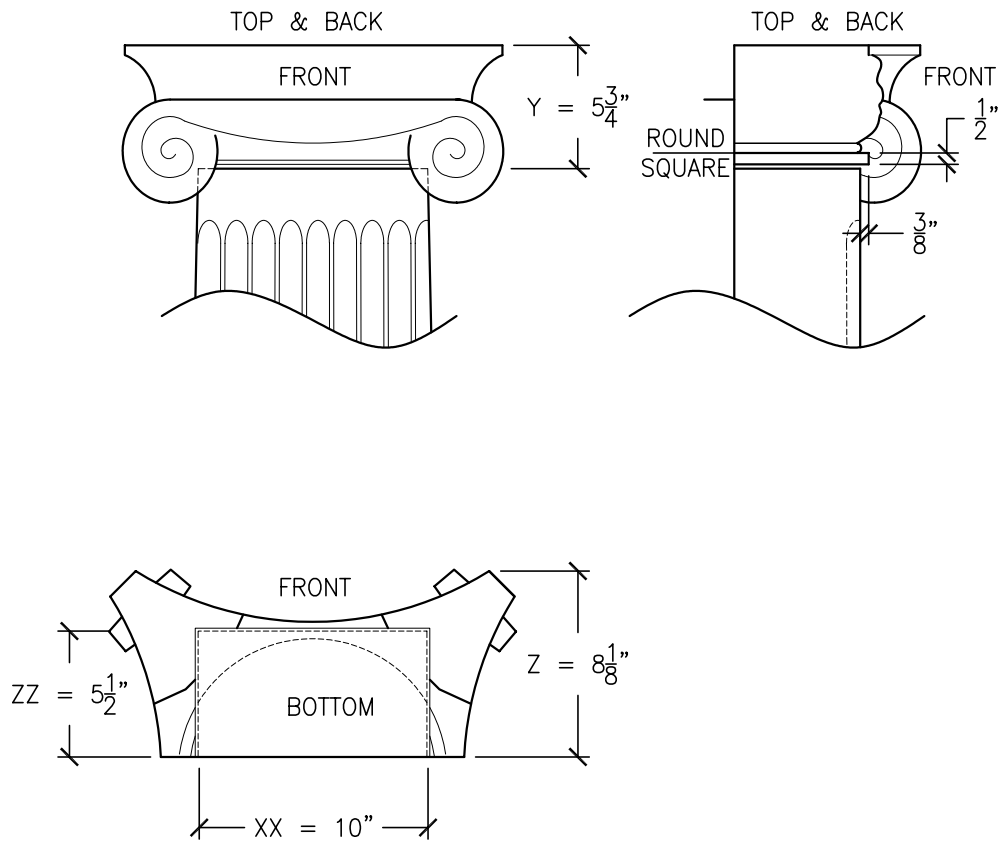
# Cross Section Pilaster

Typical Cross Section on Pilaster with Capital



## Cross Section Pilaster

Typical Example of a Square to Round Interface between Pilaster & Capital



# Cross Section Pilaster

Typical Cross Section on Pilaster with Capital

