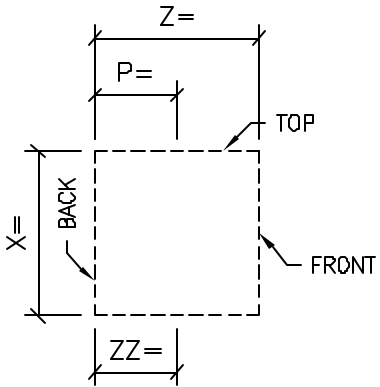


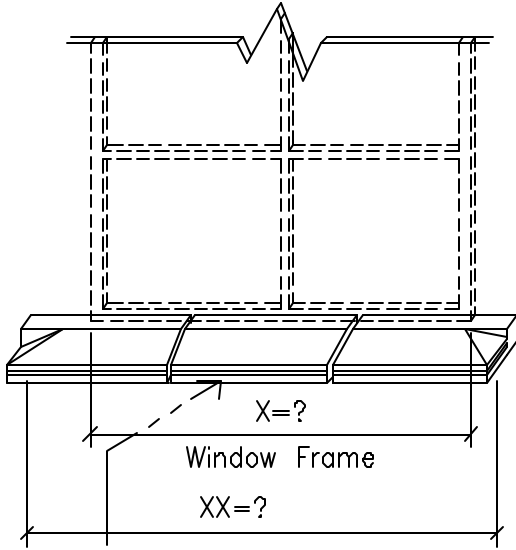
# GENERIC SILLS



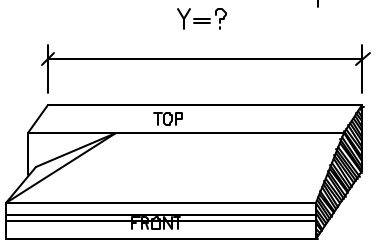
EXAMPLE PHOTO OF SILLS



CHOOSE PROFILE:  
? \_\_\_\_\_

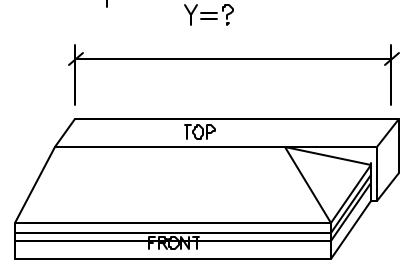


TOTAL LINEAR FEET = ? \_\_\_\_\_



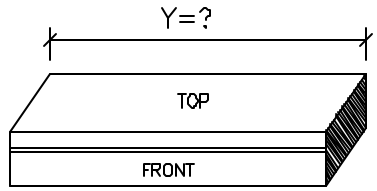
QTY: ? \_\_\_\_\_

② ISOMETRIC VIEW  
COPE BACKED LEFT



QTY: ? \_\_\_\_\_

③ ISOMETRIC VIEW  
COPE BACKED RIGHT



QTY: ? \_\_\_\_\_

① ISOMETRIC VIEW  
STRAIGHT

④ ISOMETRIC VIEW  
SILLS COPED BACKED

STANDARD COLOR CHOICE:  
TAN \ WHITE \ BUFF

CUT TO FIT LENGTHS ARE  
SUPPLIED IN 36" PIECES

Please print clearly

Unit ID: 17718