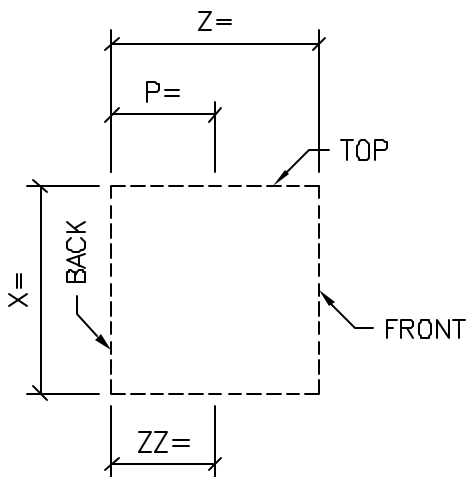


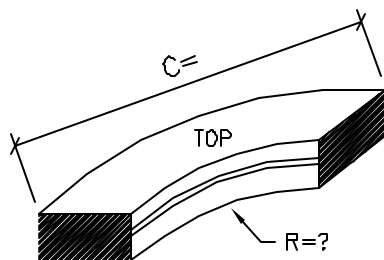
GENERIC STEPS



CHOOSE PROFILE:
 ? _____

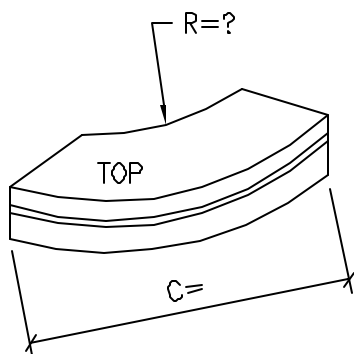


EXAMPLE PHOTO OF STEPS



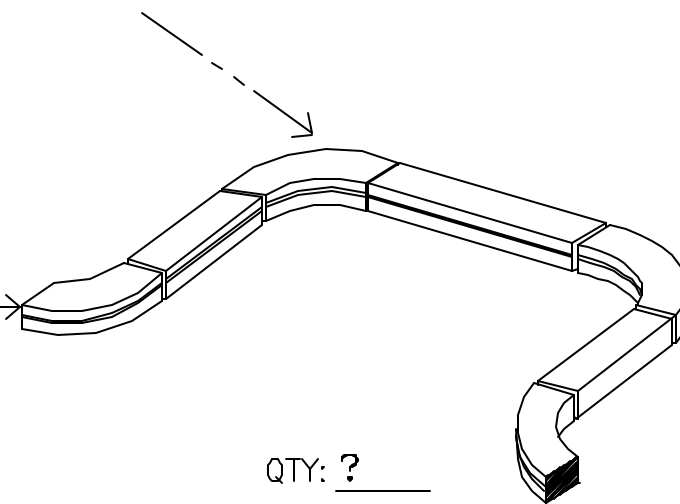
QTY: ? _____

① ISOMETRIC VIEW
 RADIUS INSIDE



QTY: ? _____

① ISOMETRIC VIEW
 RADIUS OUTSIDE



QTY: ? _____

① ISOMETRIC VIEW
 STEPS

STANDARD COLOR CHOICES:
 TAN \ WHITE \ BUFF

TOTAL
 LINEAR FEET= ? _____

Please print clearly

Unit ID: 18512