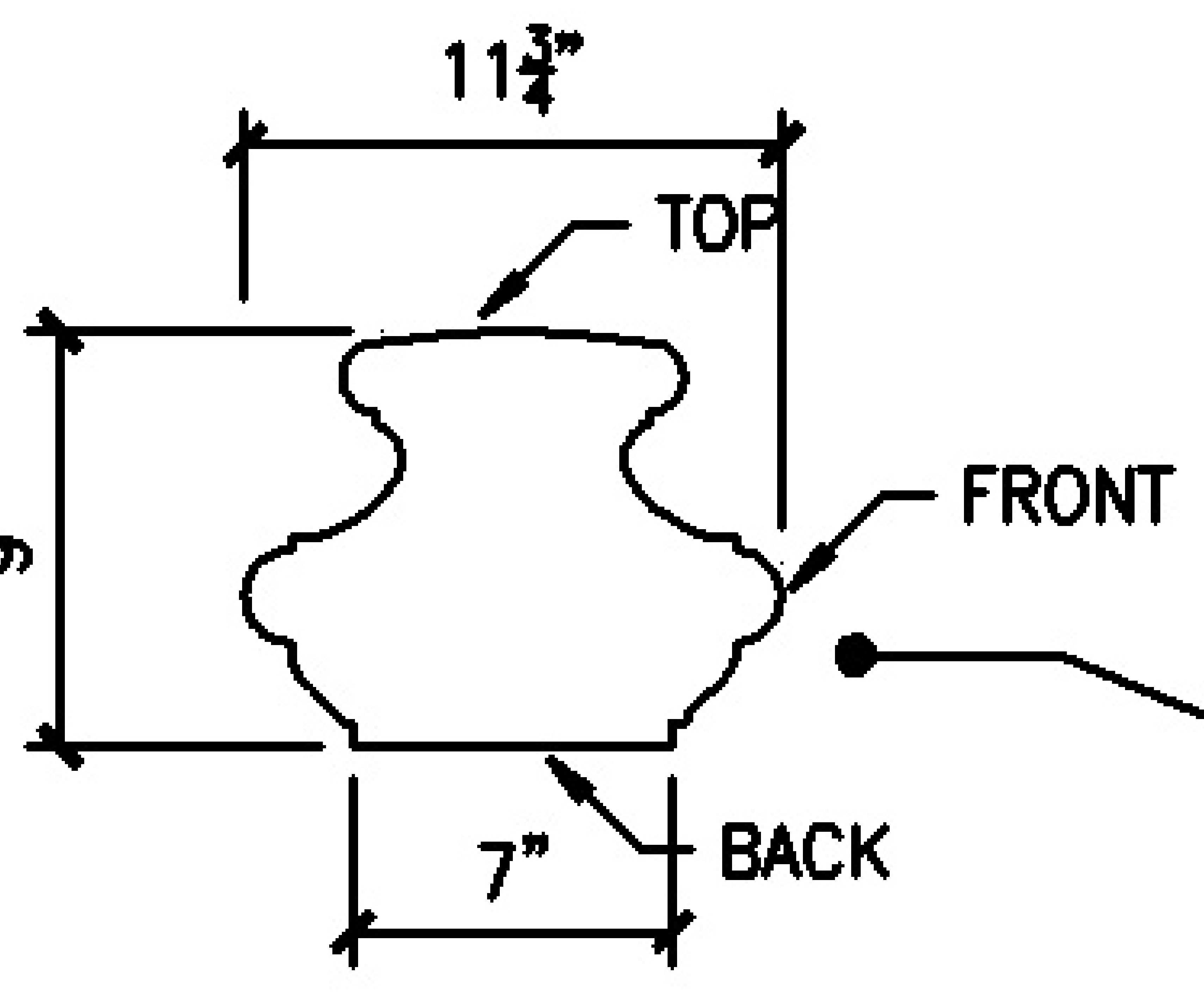
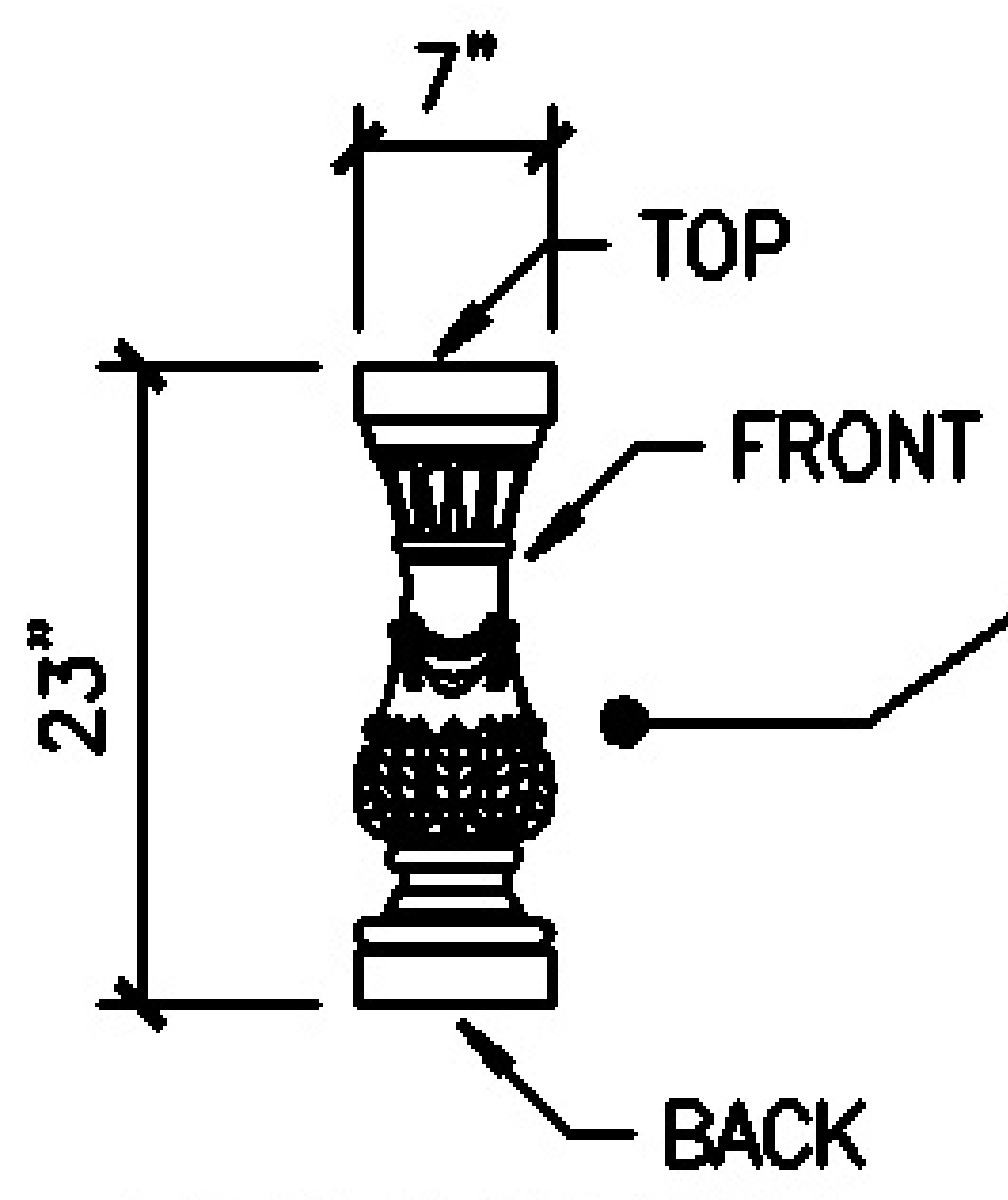


S = RECOMMENDED  
L = SETTING LINE

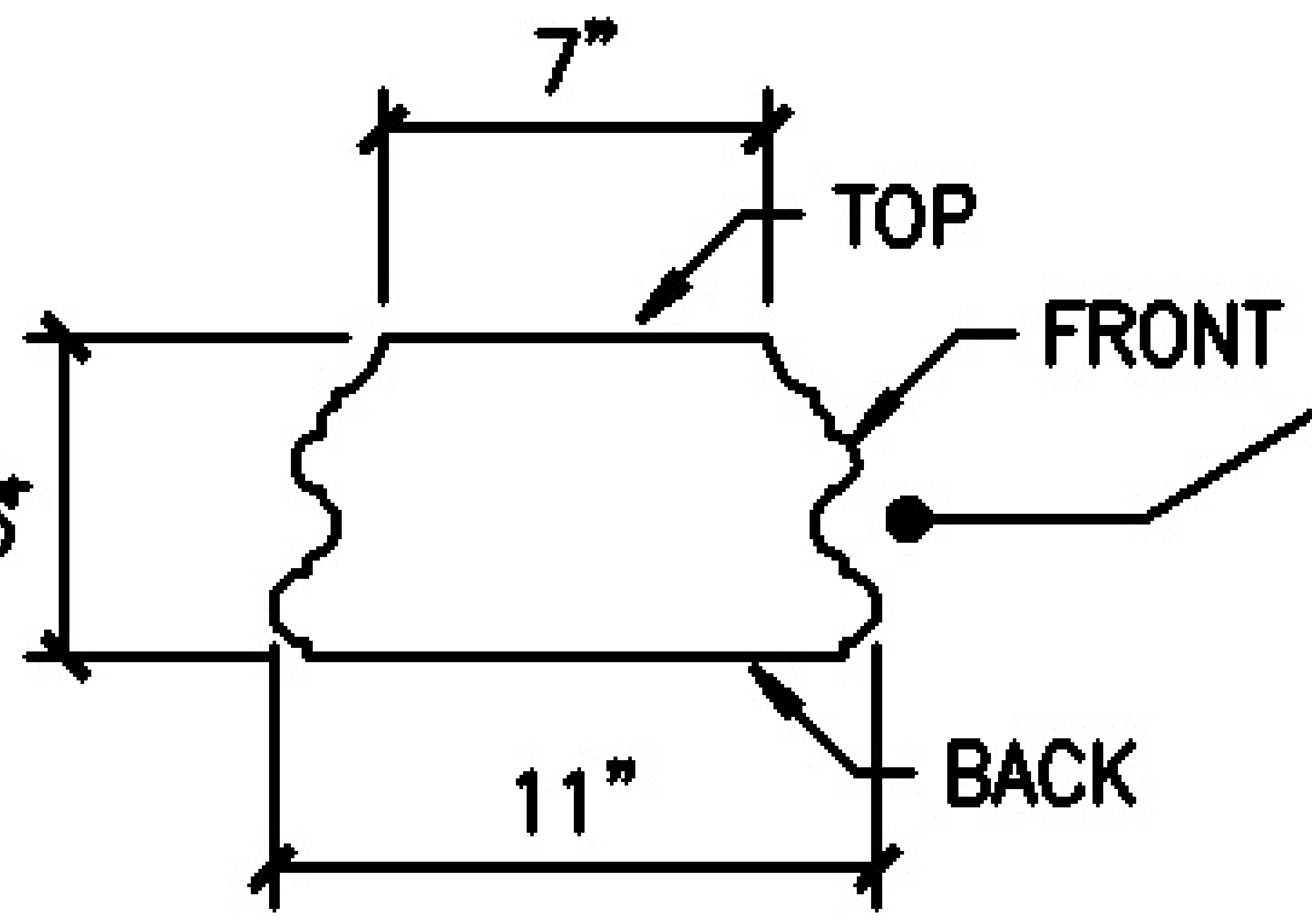
INTERFACE FAMILY



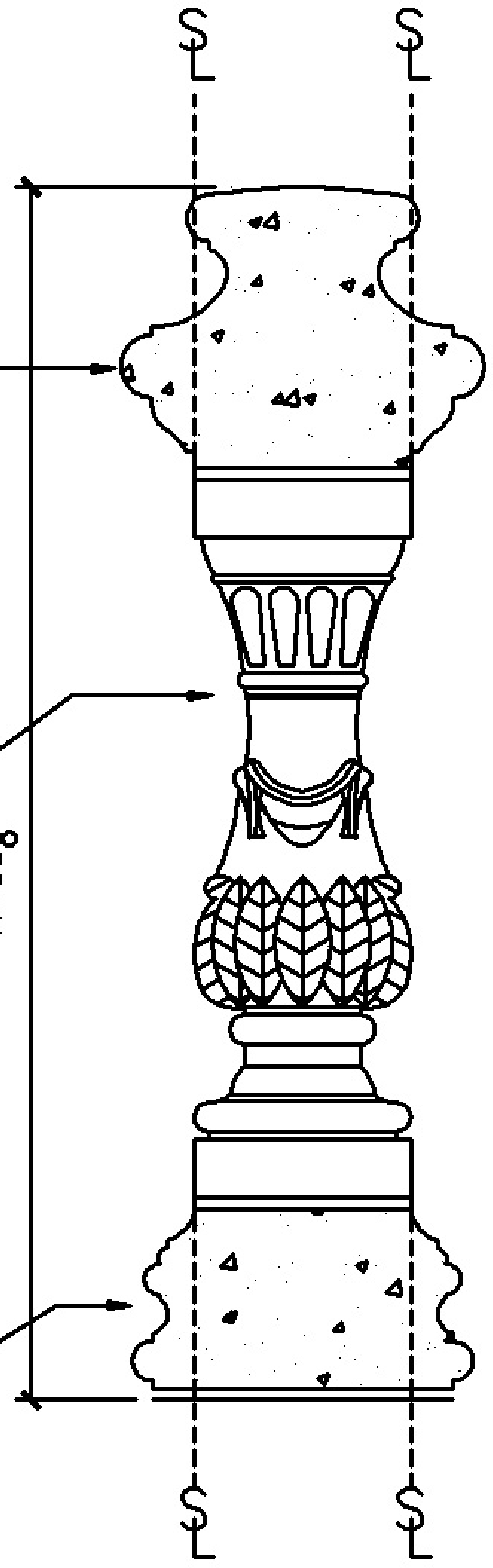
**BINELLI1  
PROFILE**



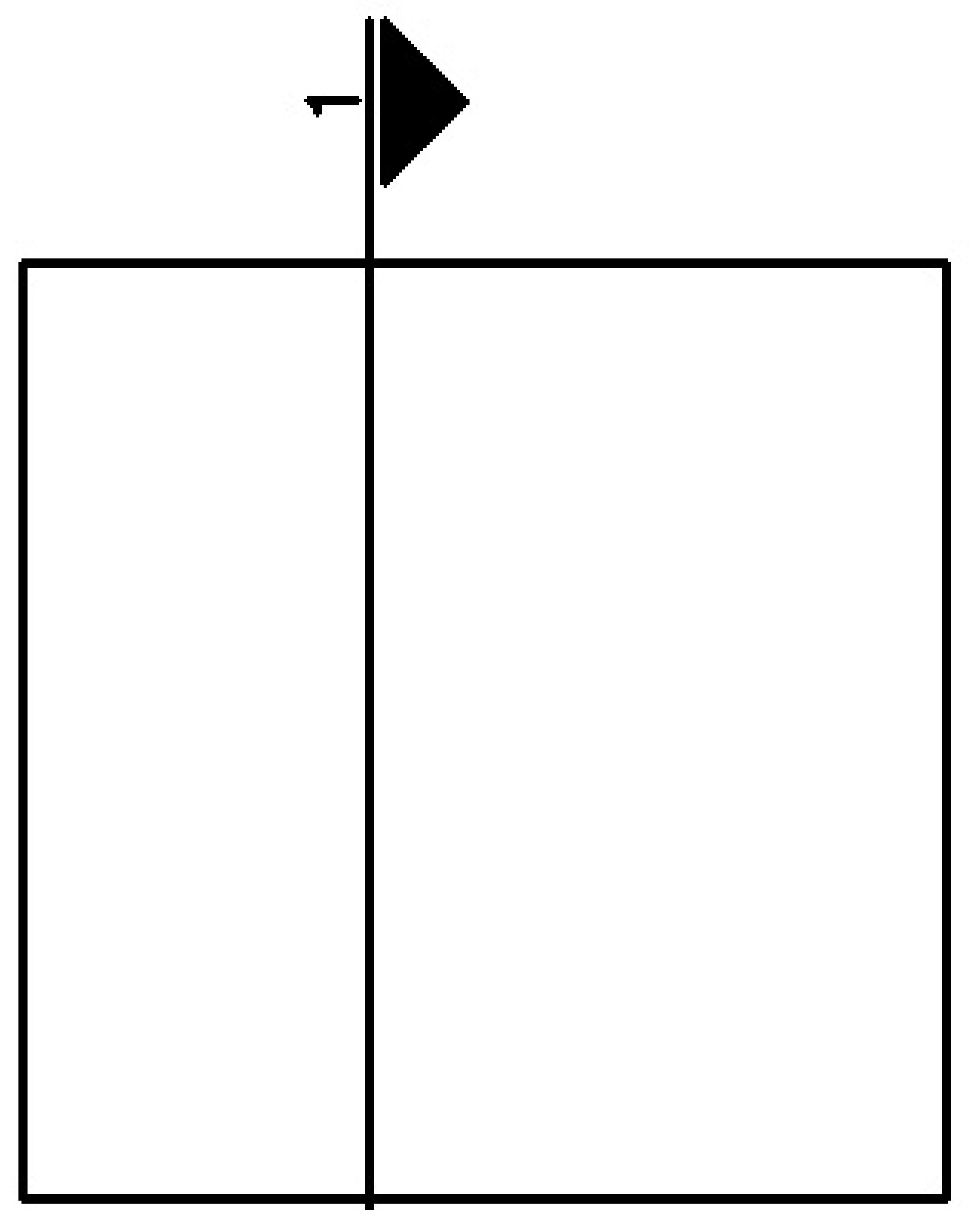
**FLORENTINE  
PROFILE**



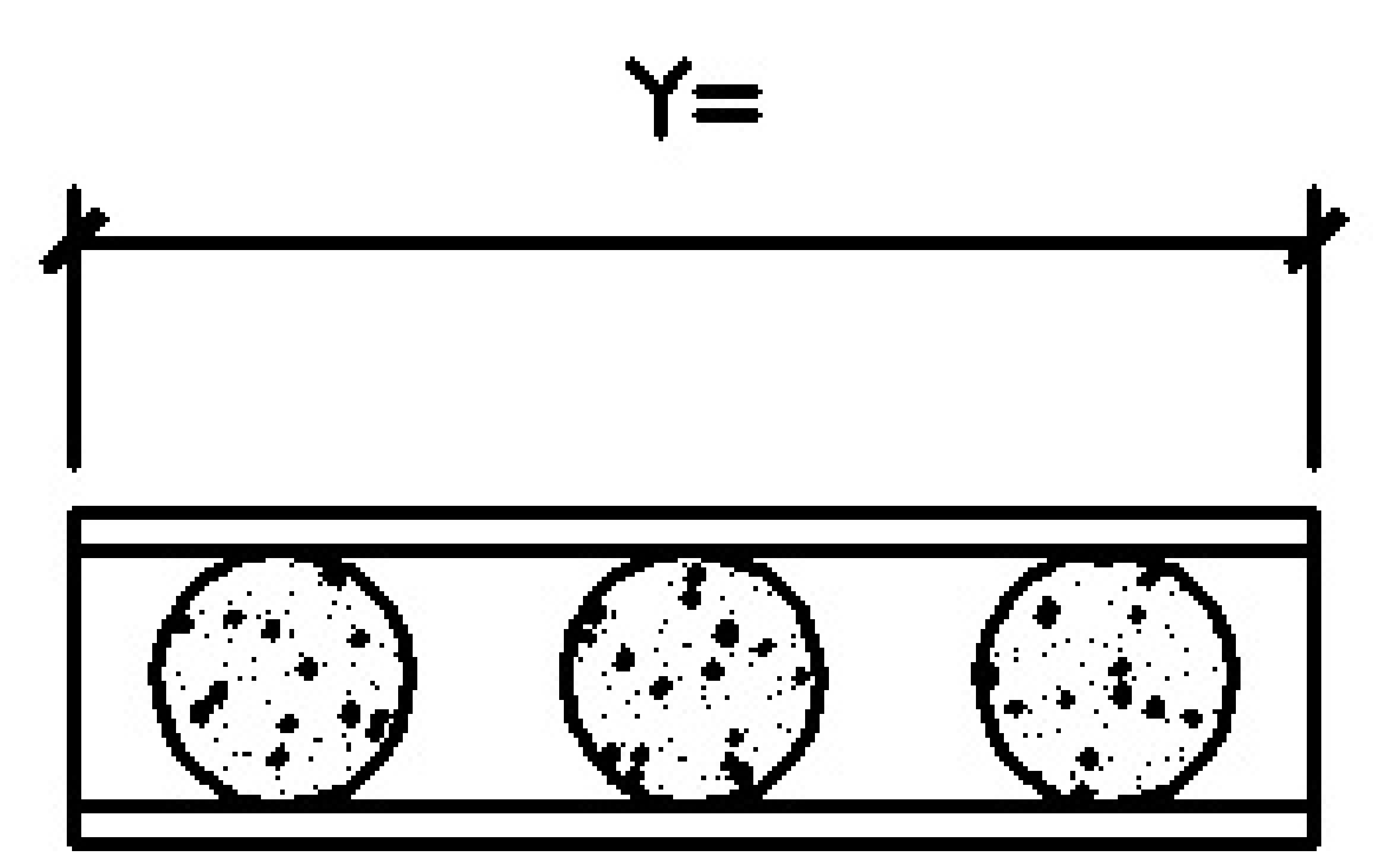
**VERONA1  
PROFILE**



**1 VERTICAL SECTION**



EXAMPLE PHOTO  
OF BALUSTRADE



**2 SECTION  
EXAMPLE**

BALL CODE TO BE VERIFIED BY  
CUSTOMER TO MEET THEIR  
LOCAL REQUIREMENTS

HANDRAILS & BASERAILES ARE  
SUPPLIED IN TYP. 36" LENGTHS  
FOR CUT TO FIT.