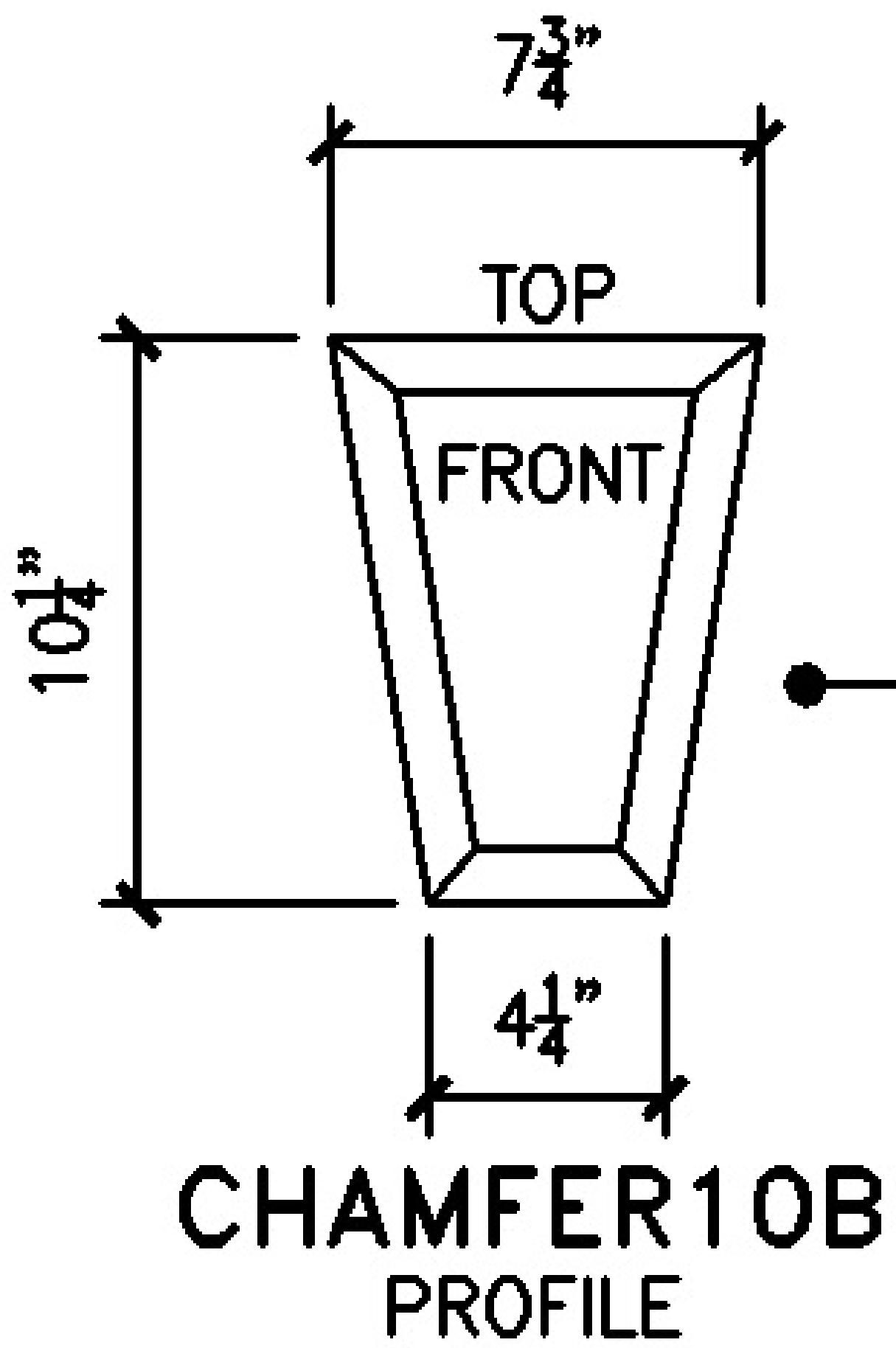
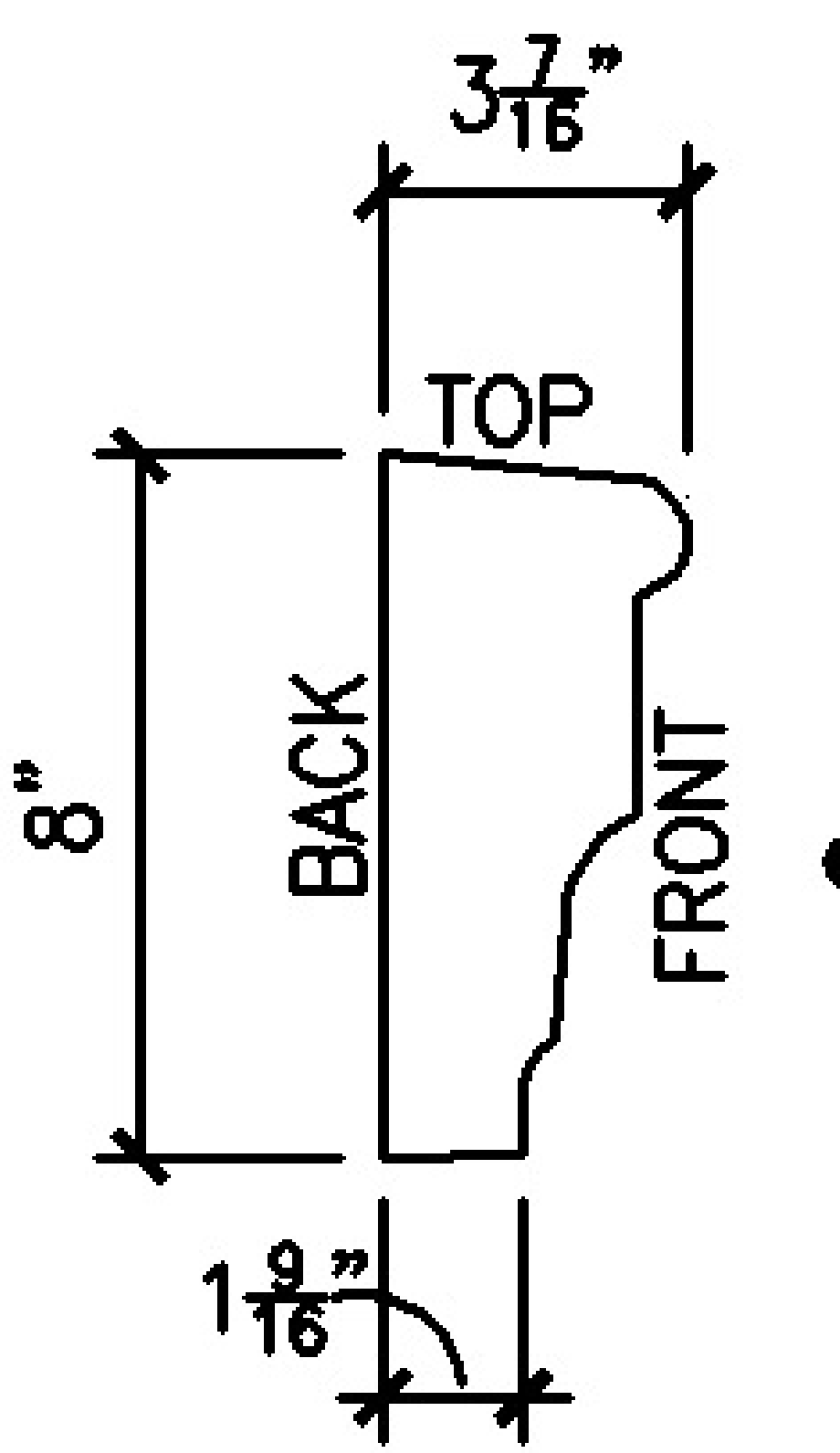


$\$$
L = RECOMMENDED
SETTING LINE

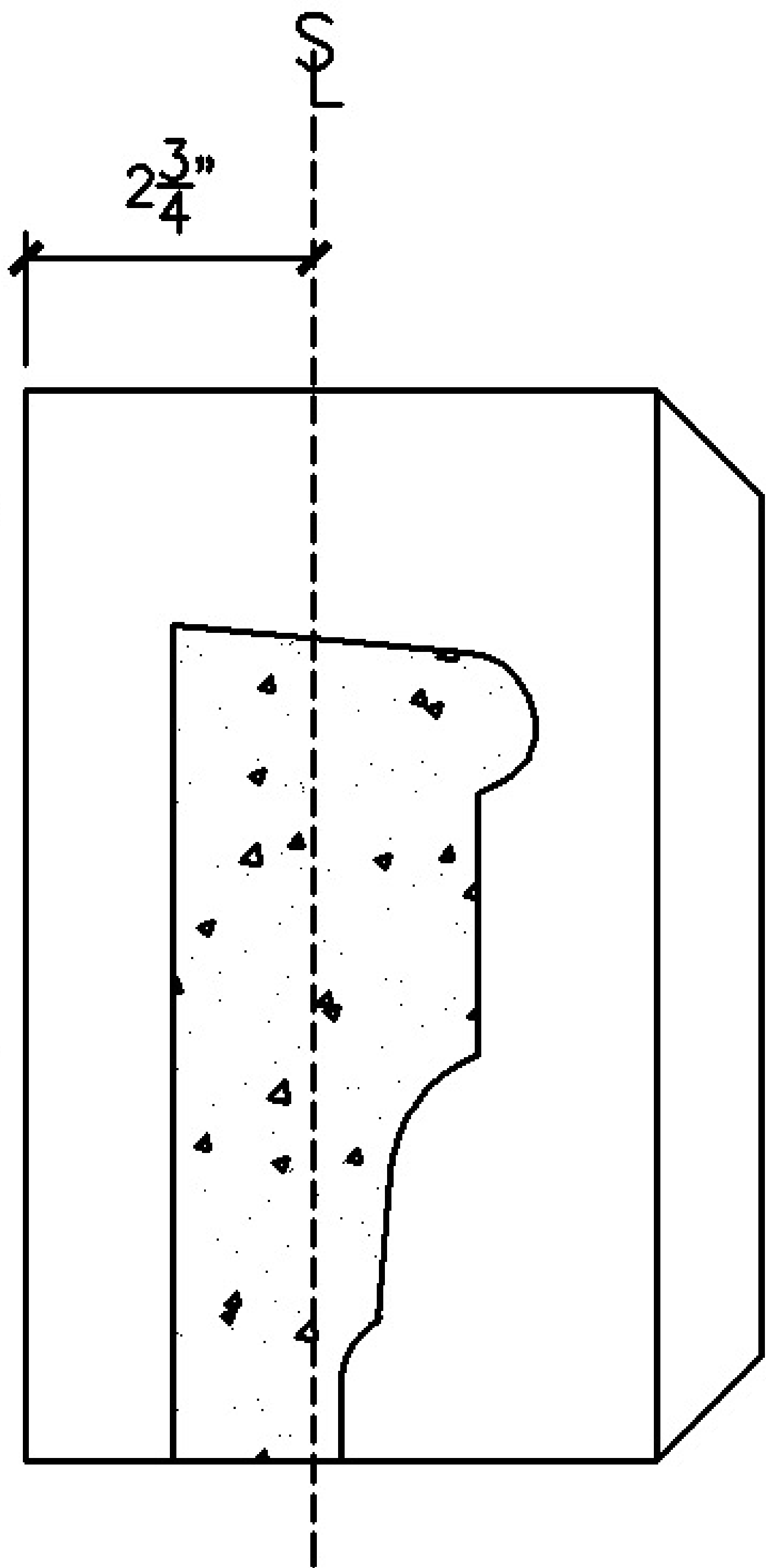
INTERFACE FAMILY



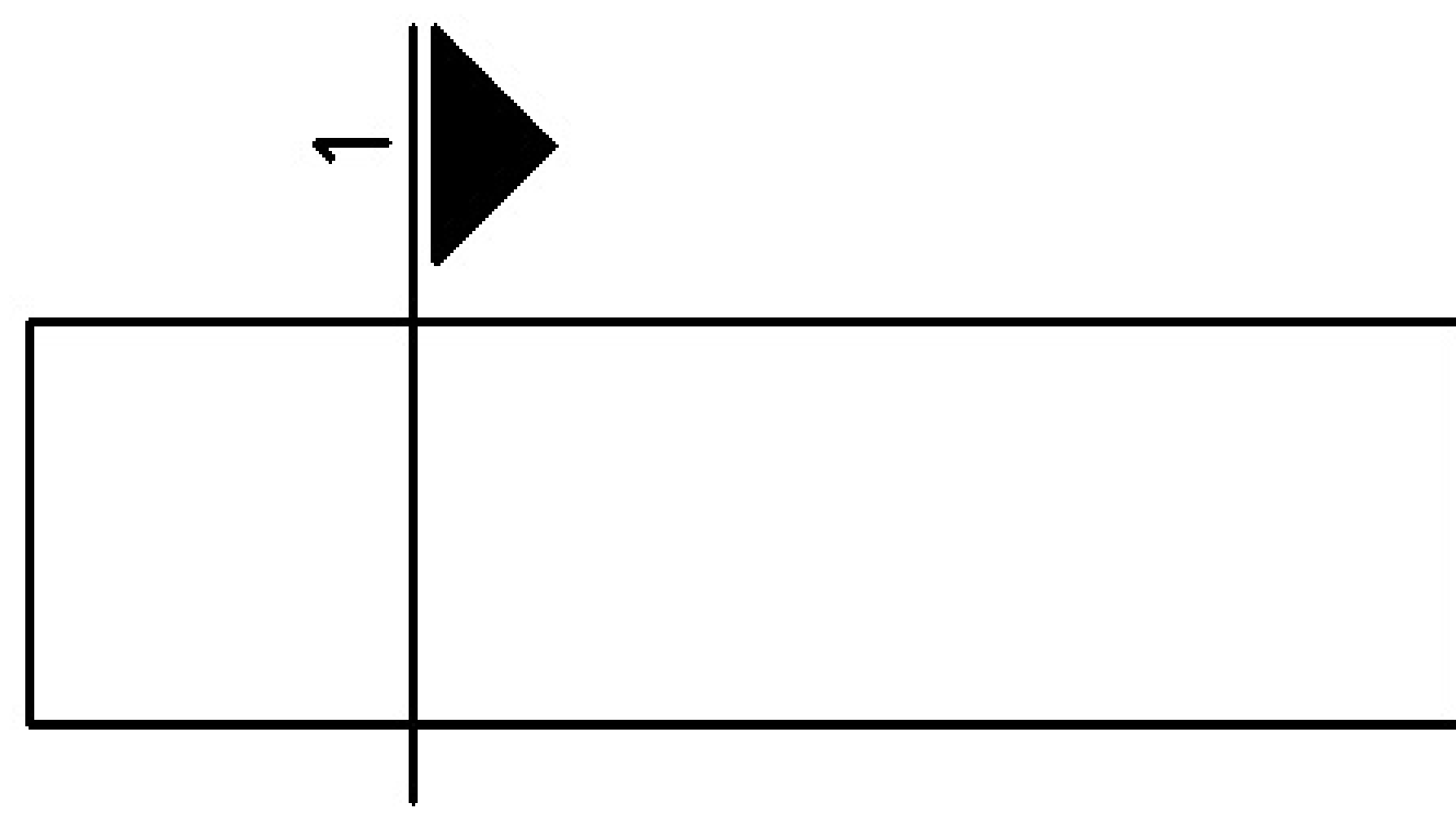
CHAMFER 10B
PROFILE



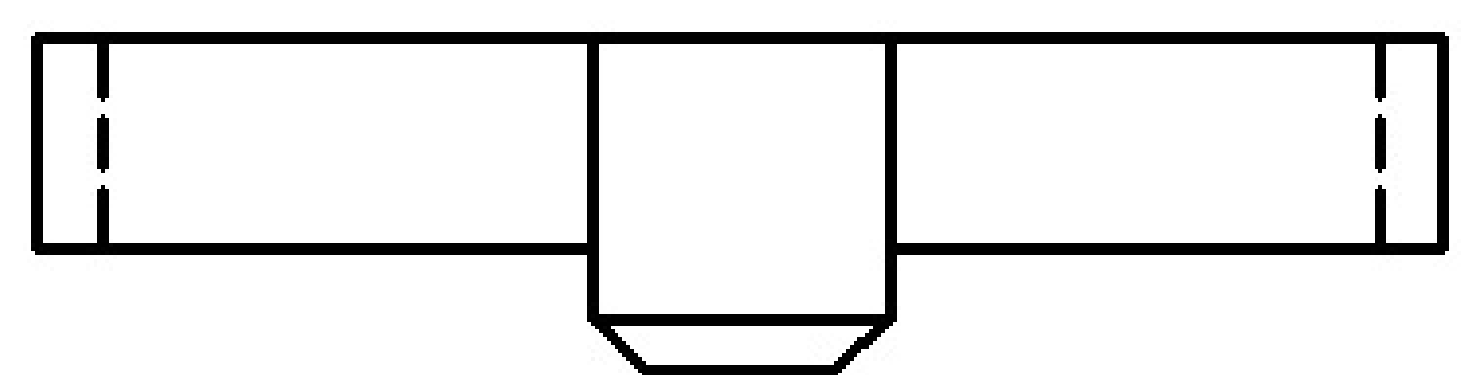
MARSHALL 6
PROFILE



① **VERTICAL SECTION**



EXAMPLE PHOTO
OF JACKARCH



② **TOP VIEW**